



US00D989865S

(12) **United States Design Patent**
Ustach et al.

(10) **Patent No.:** **US D989,865 S**
(45) **Date of Patent:** **** Jun. 20, 2023**

(54) **SIGN**
(71) Applicant: **McCue Corporation**, Danvers, MA (US)
(72) Inventors: **Thomas Ustach**, Boston, MA (US);
Teodoro A. Mesa, Lynn, MA (US)
(73) Assignee: **McCue Corporation**, Danvers, MA (US)
(**) Term: **15 Years**

(21) Appl. No.: **29/810,312**
(22) Filed: **Oct. 4, 2021**
(51) **LOC (14) Cl.** **20-03**
(52) **U.S. Cl.**
USPC **D20/41; D20/10**
(58) **Field of Classification Search**
USPC D5/8; D6/300, 303, 657, 672, 673;
D10/104.1, 104.2, 109.1, 109.2;
D13/102; D14/126, 371, 374; D20/10,
D20/11, 16, 17, 18, 19, 22, 27, 28, 31,
D20/32, 39, 40, 41, 42, 99
CPC G09F 13/18; G09F 2013/184; G09F
2013/1872; G09F 2013/1877; G09F
13/20; G09F 13/22; G09F 13/02; G09F
7/00; G09F 2007/007; G09F 7/02; G09F
9/00; G09F 19/00; G09F 15/00; G09F
15/0006; G09F 15/0037
See application file for complete search history.

(56) **References Cited**
U.S. PATENT DOCUMENTS
D245,044 S * 7/1977 Pollack D10/113.1
D334,217 S * 3/1993 Minehart D20/41

D360,229 S * 7/1995 Caulk D20/41
D384,979 S * 10/1997 Greene, Jr. D20/41
7,082,707 B2 * 8/2006 Poot E01F 9/696
52/693
D692,498 S * 10/2013 Valls D20/43
D701,322 S * 3/2014 McCue D25/32
2004/0128891 A1 * 7/2004 Keach G09F 15/00
40/624
2014/0318052 A1 * 10/2014 McCue E06B 1/52
52/211
2017/0268188 A1 * 9/2017 Leahy E01F 9/631

* cited by examiner
Primary Examiner — Catherine Ho
(74) *Attorney, Agent, or Firm* — Occhiuti & Rohlicek
LLP

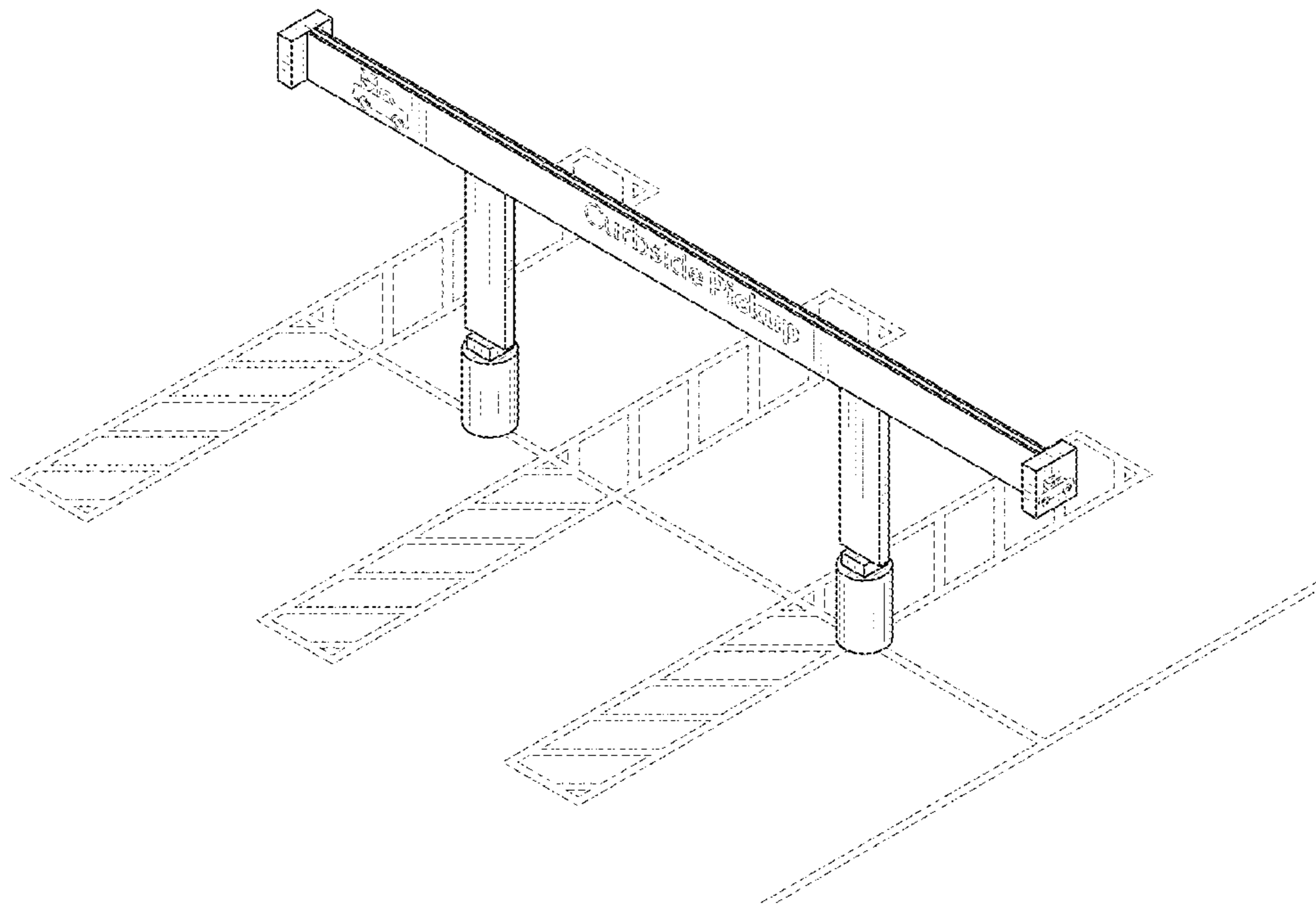
(57) **CLAIM**

The ornamental design for a sign, as shown and described.

DESCRIPTION

FIG. 1 is a perspective view of a sign shown in an environment of use, showing our new design;
FIG. 2 is a top view thereof;
FIG. 3 is a front view thereof, the rear view being a mirror image thereof; and,
FIG. 4 is a right side view thereof, the left side view being a mirror image thereof.
The broken line portion of the figure drawings is included to show environment that form no part of the claimed design.

1 Claim, 2 Drawing Sheets



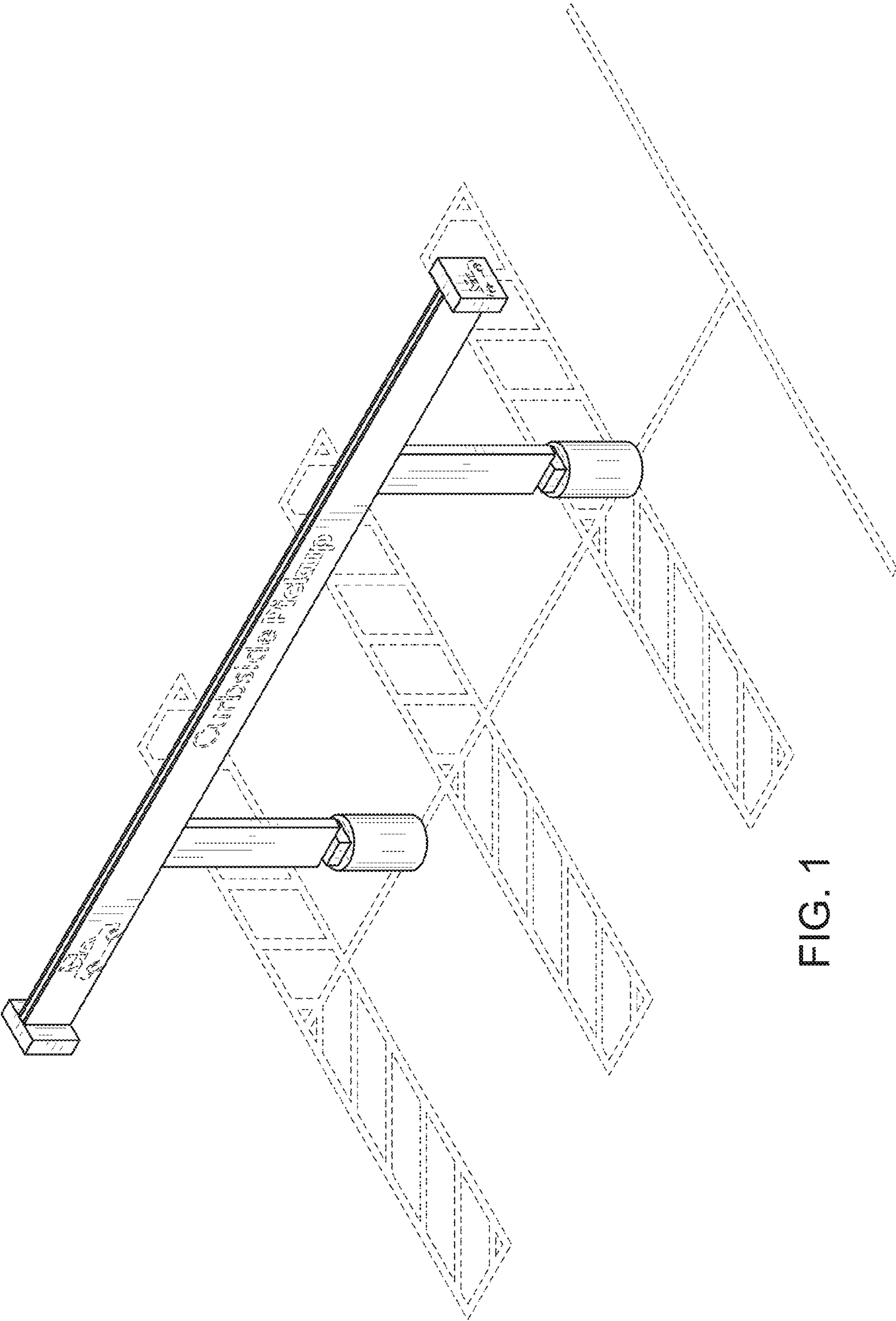


FIG. 1

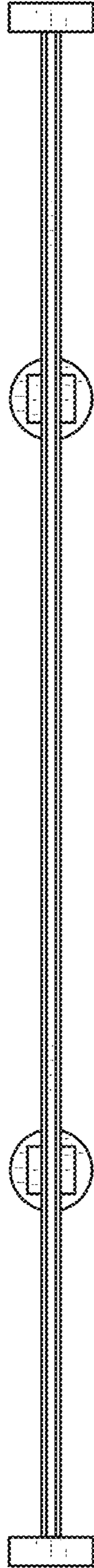


FIG. 2

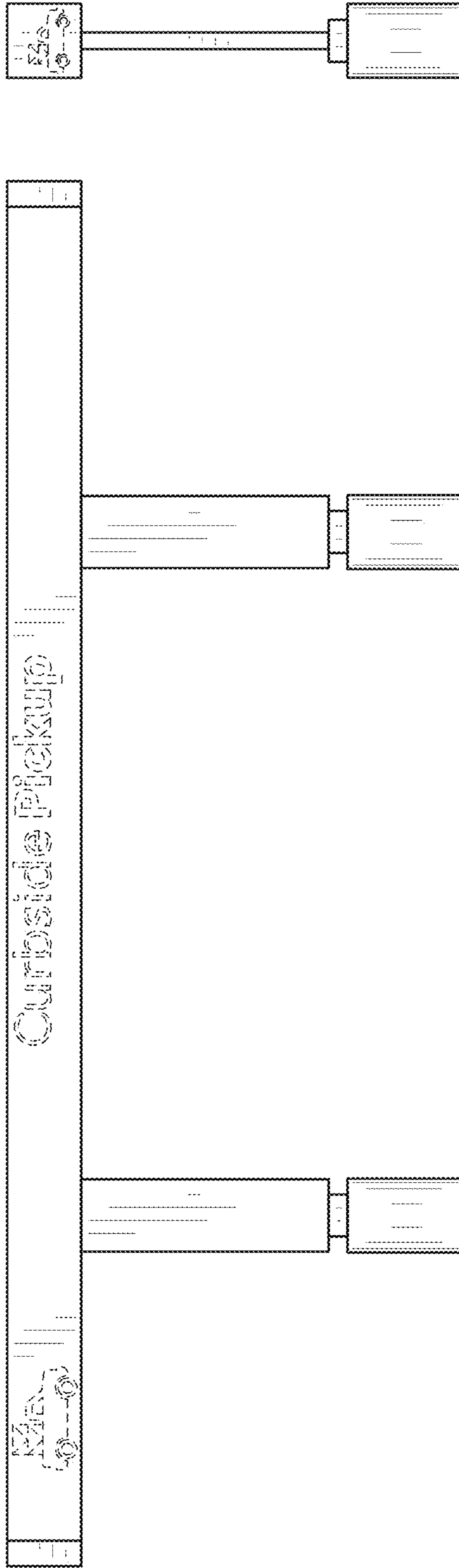


FIG. 3

FIG. 4