



US00D989864S

(12) **United States Design Patent** (10) **Patent No.:** **US D989,864 S**  
**Du** (45) **Date of Patent:** **\*\* Jun. 20, 2023**

(54) **DRAWING BOARD**  
(71) Applicant: **Beijing Yilingchenfei Technology Co., Ltd, Beijing (CN)**  
(72) Inventor: **Ping Du, Beijing (CN)**  
(73) Assignee: **Beijing Yilingchenfei Technology Co., Ltd., Beijing (CN)**  
(\*\*) Term: **15 Years**  
(21) Appl. No.: **29/797,241**  
(22) Filed: **Jun. 29, 2021**  
(51) **LOC (14) Cl.** ..... **19-06**  
(52) **U.S. Cl.**  
USPC ..... **D19/114**  
(58) **Field of Classification Search**  
USPC ..... D21/329, 330, 332, 350, 468, 469;  
D14/305, 322, 334-347, 371, 403, 440;  
D19/59, 60, 113  
CPC ..... B43L 5/02; B43L 5/00; B43L 1/00  
See application file for complete search history.

D916,964 S \* 4/2021 Pereira ..... D19/113  
D926,878 S \* 8/2021 Pereira ..... D19/113  
D928,230 S \* 8/2021 Li ..... D19/113  
D933,053 S \* 10/2021 Sun ..... D14/250  
D946,654 S \* 3/2022 Tao ..... D19/113  
D947,176 S \* 3/2022 Wu ..... D14/341  
D948,617 S \* 4/2022 Zhao ..... D19/113

**FOREIGN PATENT DOCUMENTS**

CN 305775842 \* 5/2020  
CN 306309388 \* 2/2021

**OTHER PUBLICATIONS**

Magnetic board, Fastbox.su, date published Nov. 8, 2020, date retrieved Oct. 17, 2022—U.S. Appl. No. 29/797,241—<https://tineye.com/search/f301f16a2a7a735b8b340edc37d79703f326a799?sort=score&order=desc&page=1> (Year: 2020).\*

\* cited by examiner

*Primary Examiner* — Nicole C Shiflet  
*Assistant Examiner* — Danielle Nichole Bowly  
(74) *Attorney, Agent, or Firm* — Vladimir Postnikov

(56) **References Cited**

**U.S. PATENT DOCUMENTS**

794,653 A \* 7/1905 Allen ..... B43L 1/00  
434/412  
1,135,241 A \* 4/1915 Woods ..... G09F 15/0062  
248/166  
1,877,669 A \* 9/1932 Kitze ..... A47B 83/008  
434/408  
D401,279 S \* 11/1998 Thorp ..... D19/114  
D671,170 S \* 11/2012 Udagawa ..... D19/114  
D719,957 S \* 12/2014 Elliott ..... D14/440  
D753,102 S \* 4/2016 Chen ..... D14/341  
D807,880 S \* 1/2018 Varghese ..... D14/371  
D817,397 S \* 5/2018 Wu ..... D19/113  
D864,296 S \* 10/2019 Park ..... D19/113  
D893,497 S \* 8/2020 Li ..... D14/440  
D899,521 S \* 10/2020 Li ..... D19/113  
D912,677 S \* 3/2021 Li ..... D14/440

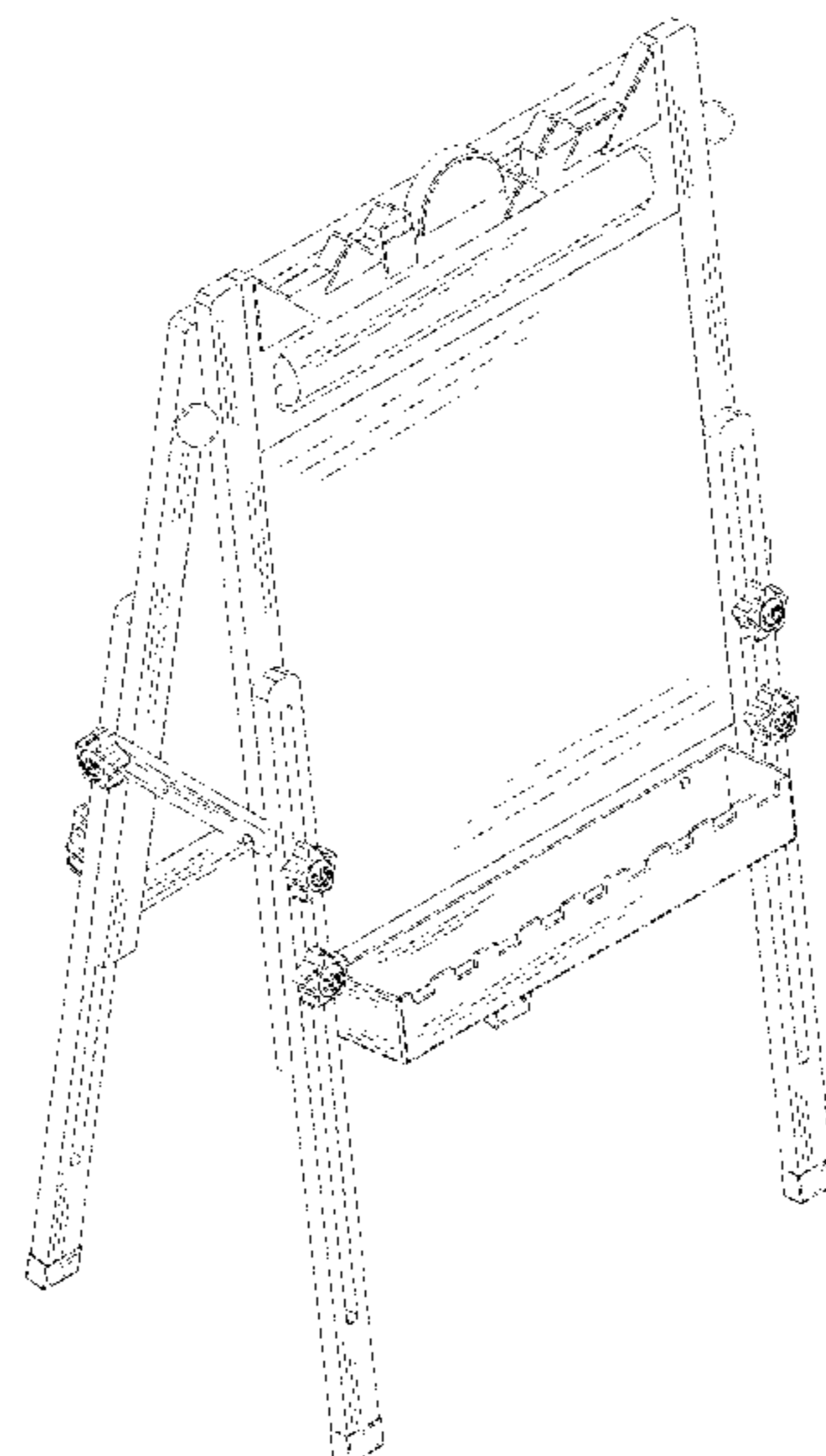
(57) **CLAIM**

The ornamental design for a drawing board, as shown and described.

**DESCRIPTION**

FIG. 1 is a front view of a drawing board;  
FIG. 2 is a back view of the drawing board;  
FIG. 3 is a left side view of the drawing board;  
FIG. 4 is a right side view of the drawing board;  
FIG. 5 is a top view of the drawing board;  
FIG. 6 is a bottom view of the drawing board; and,  
FIG. 7 is a perspective view of the drawing board.  
The broken lines depict portions of the article that form no part of the claimed design.

**1 Claim, 7 Drawing Sheets**



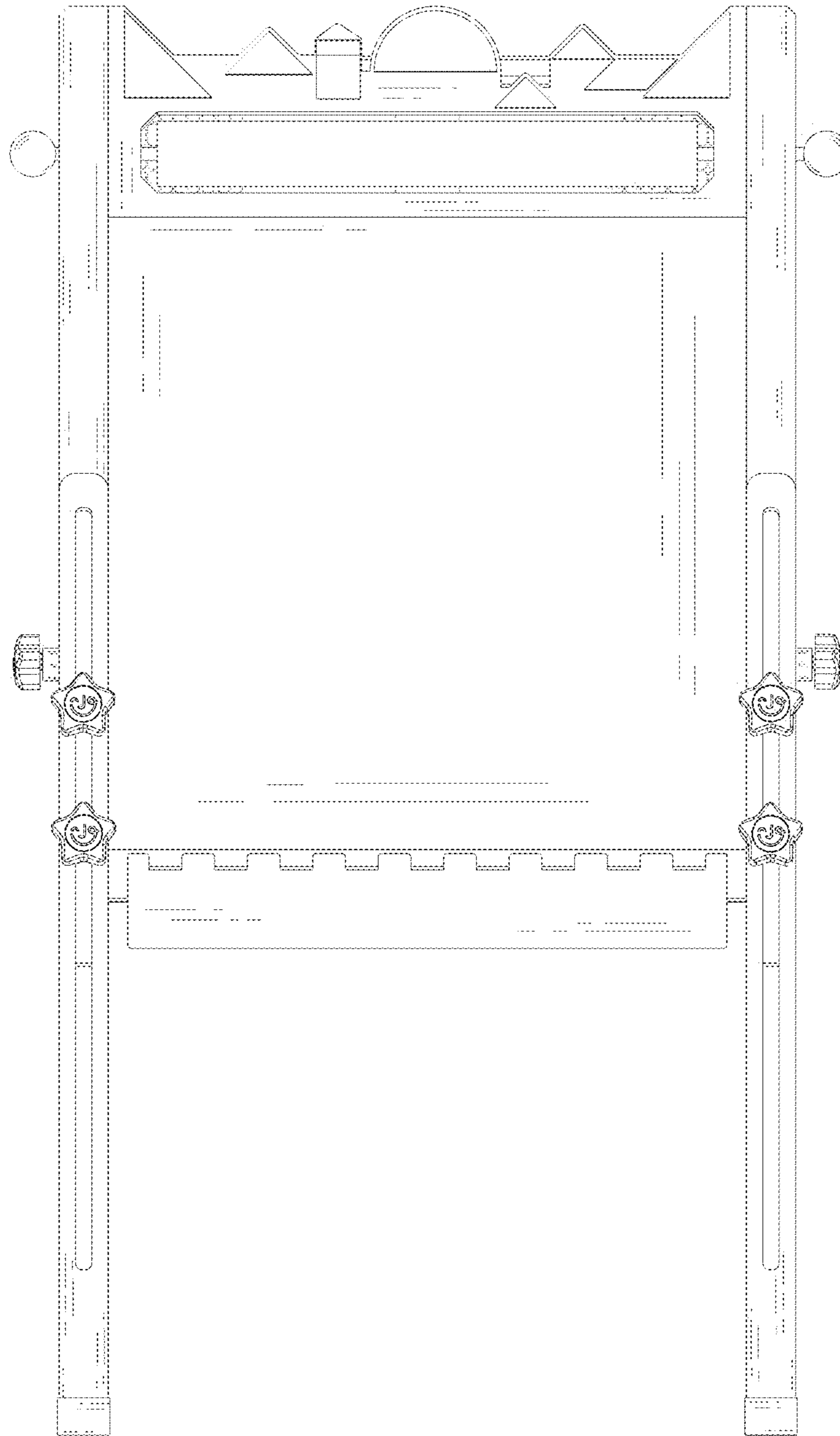


FIG. 1

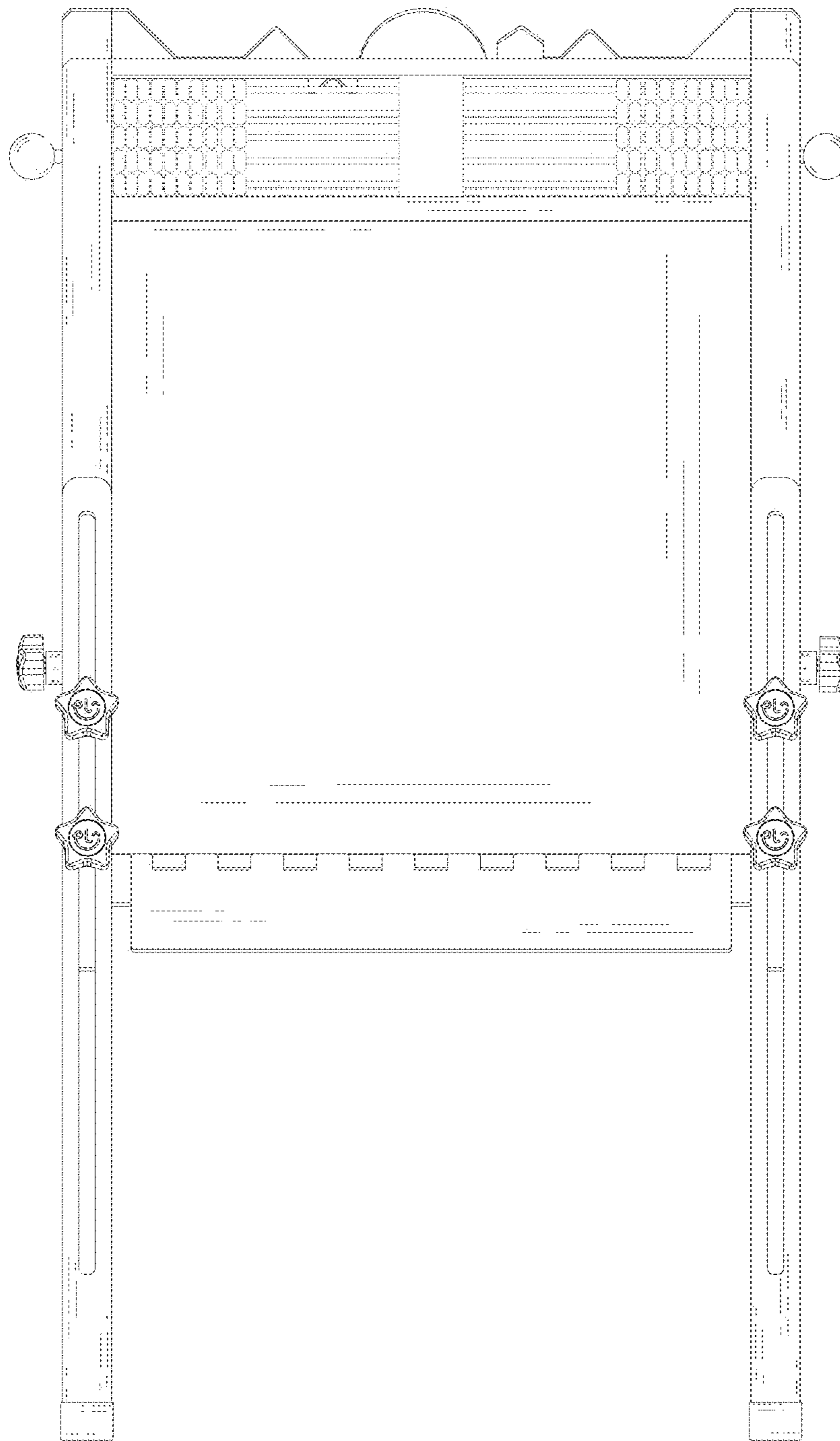


FIG. 2

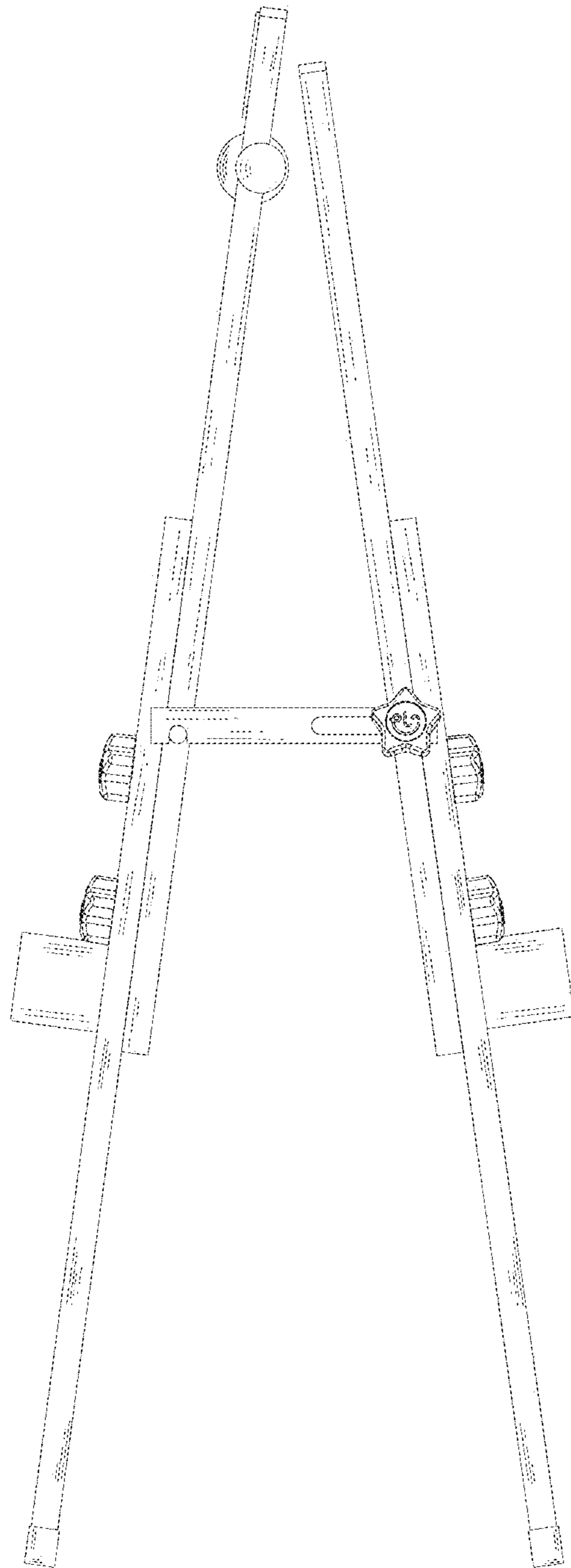


FIG. 3

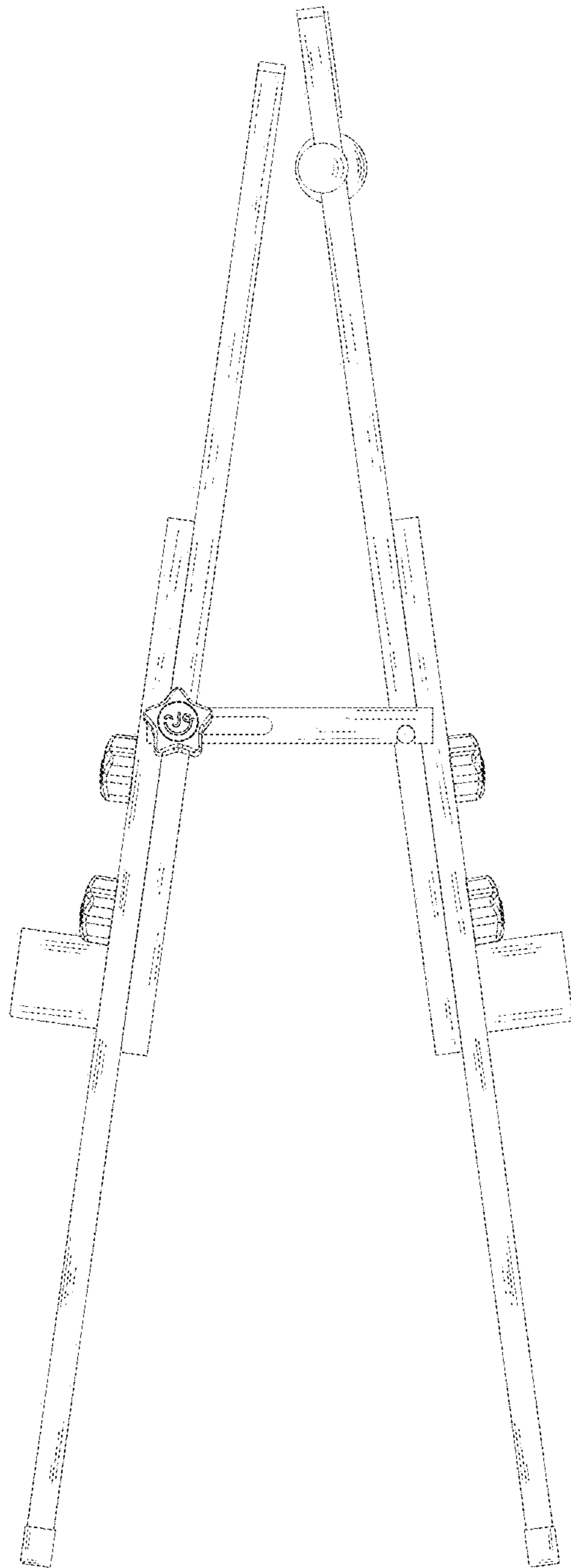


FIG. 4

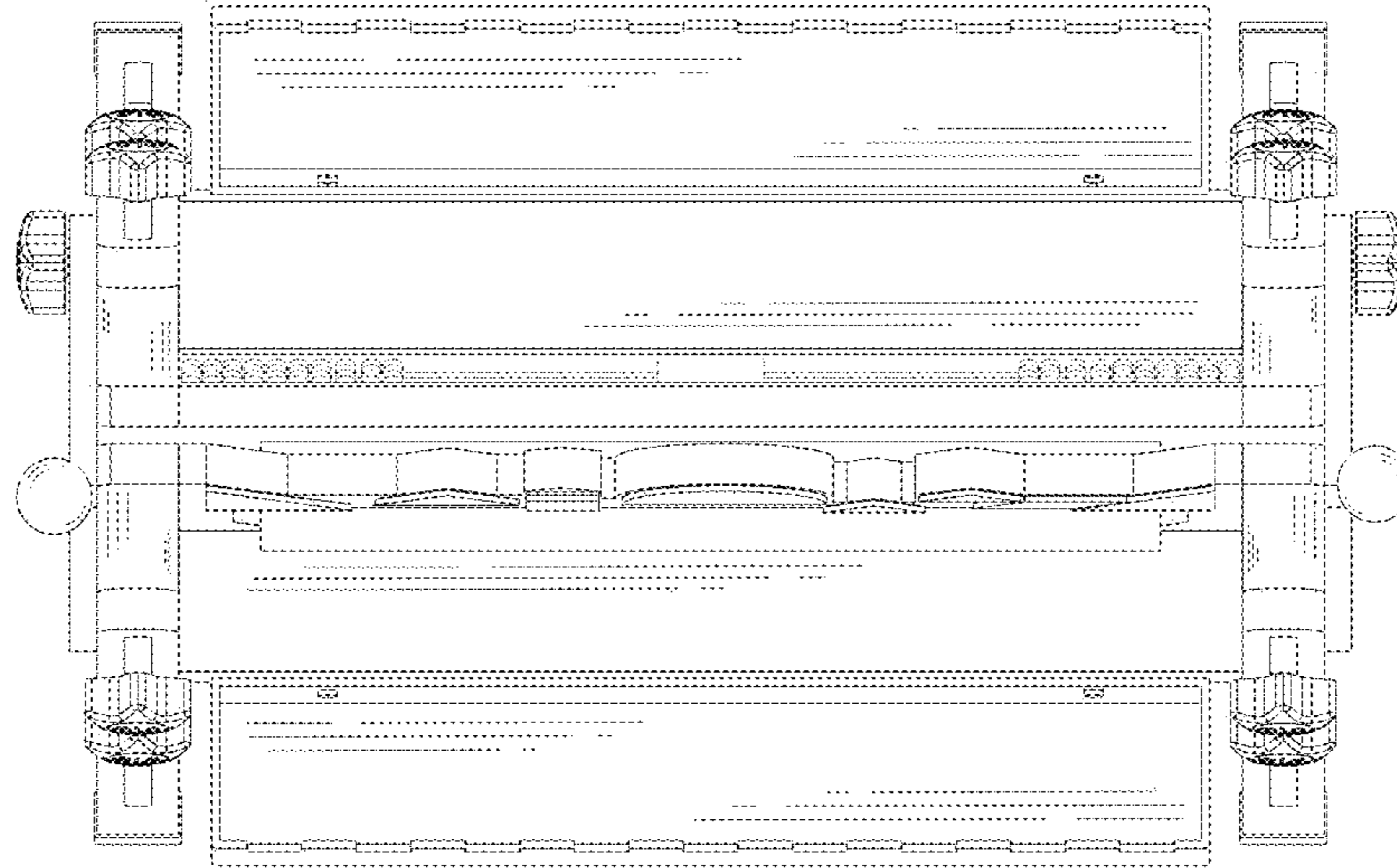


FIG. 5





FIG. 6

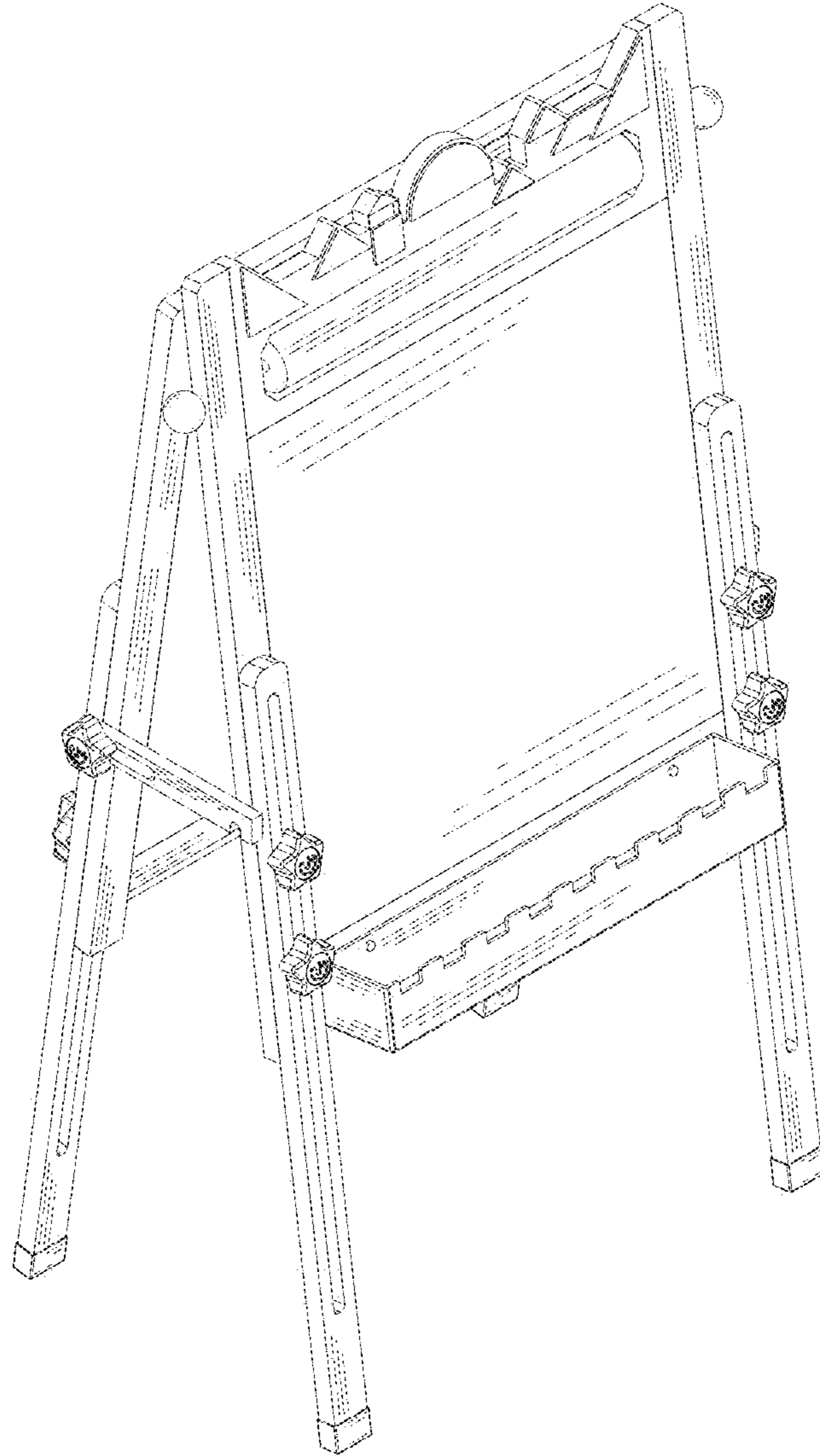


FIG. 7