



US00D989862S

(12) **United States Design Patent** (10) **Patent No.:** **US D989,862 S**
Faulkner (45) **Date of Patent:** **** Jun. 20, 2023**

(54) **EXPLODED AMMUNITION COMPONENT MODEL**

FOREIGN PATENT DOCUMENTS

(71) Applicant: **Anthony Faulkner**, Fayetteville, NY (US)

CH 672179 10/1989
CN 301574611 * 6/2011
(Continued)

(72) Inventor: **Anthony Faulkner**, Fayetteville, NY (US)

OTHER PUBLICATIONS

(**) Term: **15 Years**

Etsy. Link: <https://www.etsy.com/listing/642561050/three-gun-multi-caliber-side-by-side>. Dec. 30, 2020. Three Gun multi caliber side-by-side display. (Year: 2020).*

(21) Appl. No.: **29/733,222**

(Continued)

(22) Filed: **Apr. 30, 2020**

Primary Examiner — Lauren D McVey
(74) *Attorney, Agent, or Firm* — Peter J. Mikesell; Schmeiser, Olsen & Watts, LLP

Related U.S. Application Data

(62) Division of application No. 29/679,248, filed on Feb. 4, 2019, now Pat. No. Des. 893,620, which is a division of application No. 29/554,266, filed on Feb. 10, 2016, now Pat. No. Des. 846,636.

(57) **CLAIM**

The ornamental design for an “exploded ammunition component model,” as shown and described.

(51) **LOC (14) Cl.** **19-07**

DESCRIPTION

(52) **U.S. Cl.**
USPC **D19/61**; D22/116

(58) **Field of Classification Search**
USPC D19/59–64; D22/116
CPC G06N 99/005; G09B 23/06; F41A 9/38;
F41A 11/00; F41A 9/01; F41A 11/02;
F41A 9/54; F41A 9/55; F41A 9/56; F41A
9/57
See application file for complete search history.

FIG. 1 is a right side elevation view of an exploded ammunition component model showing my new design; FIG. 2 is a left side elevation view thereof; FIG. 3 is a top plan view thereof; FIG. 4 is a bottom plan view thereof; FIG. 5 is a front elevation view thereof; FIG. 6 is a rear elevation view thereof; and, FIG. 7 is a top right rear perspective view thereof.

The broken line showing of the base, support bar, gunpowder and bullet are included to illustrate an environment of the exploded ammunition component model. The dot-dash broken lines depict the bounds of the claimed design. None of the broken lines form any part of the claimed design.

The exploded ammunition component model is shown with a symbolic break in its length. The appearance of any portion of the article between the break lines forms no part of the claimed design.

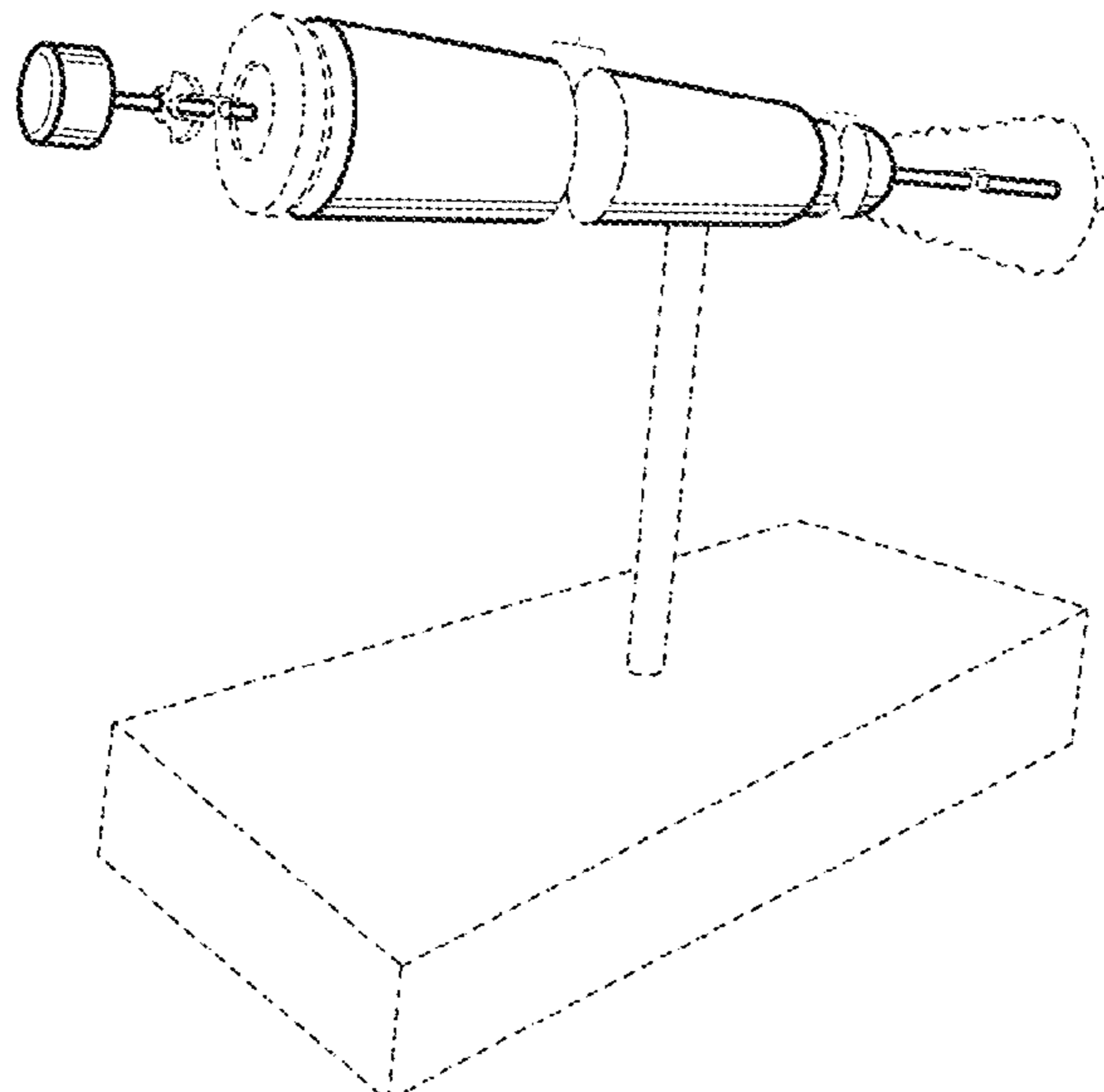
(56) **References Cited**

U.S. PATENT DOCUMENTS

2,383,780 A 8/1945 Dobremysl
2,627,208 A 2/1953 Simpson
2,870,561 A 1/1959 Colby
3,086,467 A 4/1963 Gallagher et al.
3,276,322 A 10/1966 Christiansson

(Continued)

1 Claim, 3 Drawing Sheets



(56)

References Cited

U.S. PATENT DOCUMENTS

3,601,001 A 8/1971 Jenny
 4,286,499 A 9/1981 Gillum
 4,587,879 A 5/1986 Savioli
 4,898,071 A 2/1990 Borgwarth
 D435,886 S 1/2001 Benini
 D444,171 S * 6/2001 McCullough D19/154
 D447,208 S 8/2001 Benini
 D529,418 S * 10/2006 Muhl nickel D12/162
 D545,369 S 6/2007 Scharfetter
 D546,657 S * 7/2007 Buening D8/103
 D646,179 S * 10/2011 Jansen D9/680
 D708,291 S 7/2014 Pierce
 9,273,941 B2 * 3/2016 Carlson F42B 5/045
 9,377,255 B2 6/2016 Karagias
 D778,355 S 2/2017 Magness
 D814,695 S * 4/2018 Petteys D27/195
 D838,563 S 1/2019 Shalhoub
 D846,636 S 4/2019 Faulkner
 D848,569 S * 5/2019 Peterson D22/116
 D855,141 S 7/2019 Couch et al.
 10,378,867 B2 8/2019 Couch et al.
 D868,931 S * 12/2019 White D22/116
 D878,178 S * 3/2020 Cheng D8/47
 D893,617 S * 8/2020 Feng D19/61
 D893,620 S * 8/2020 Faulkner D22/116
 2006/0201320 A1 9/2006 Yu
 2009/0255522 A1 10/2009 Broberg, Jr.
 2012/0152094 A1 6/2012 Gonzalez

2013/0062262 A1 3/2013 Nygaard
 2015/0316336 A1 11/2015 Lee
 2017/0045320 A1 2/2017 Cozzo et al.

FOREIGN PATENT DOCUMENTS

CN 306352148 * 2/2021
 CN 307927531 * 3/2023
 DE 3612099 12/1986
 EP 0083288 7/1983
 GB 624354 6/1949
 JP 03045897 2/1991

OTHER PUBLICATIONS

Faulker, Anthony; "Ammunition Displays by Ballistic Concepts, LLC" Posted on Internet Nov. 18, 2015.
 Kreofsky, Chadd; "Reloading 101: Learning the art" Posted on Internet Dec. 12, 2015.
 Langkamp, Don; "Going Diorama-Crazy" Posted on Internet Dec. 27, 2015.
 Mote, James, "Facebook Post" Posted on Internet Dec. 27, 2015.
 Etsy; Ballistic Concepts webpage containing items for sale; Aug. 1, 2018; 48 pages.
 Etsy; Ballistic Concepts; Web page re advertising 7mm Remington Magnum w/168gr Berger bullet—3D expanded ammunition cartridge teaching visual aid or desk display for sale; Aug. 1, 2018; 4 pages.

* cited by examiner

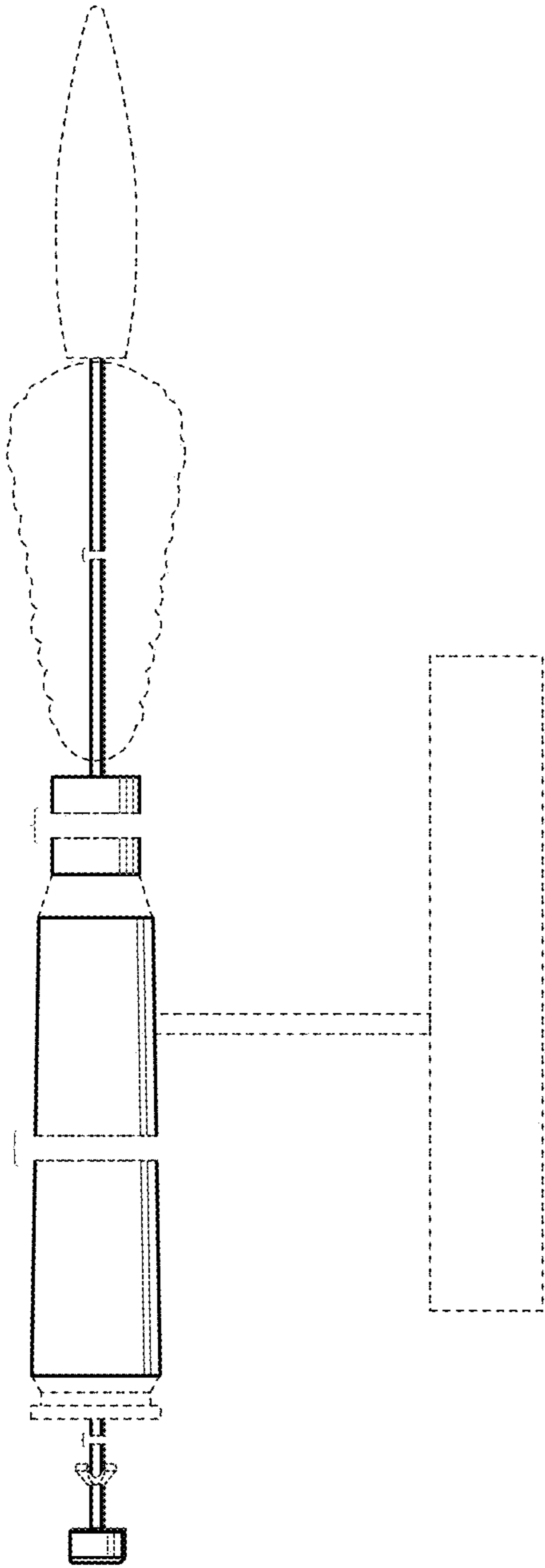


FIG. 1

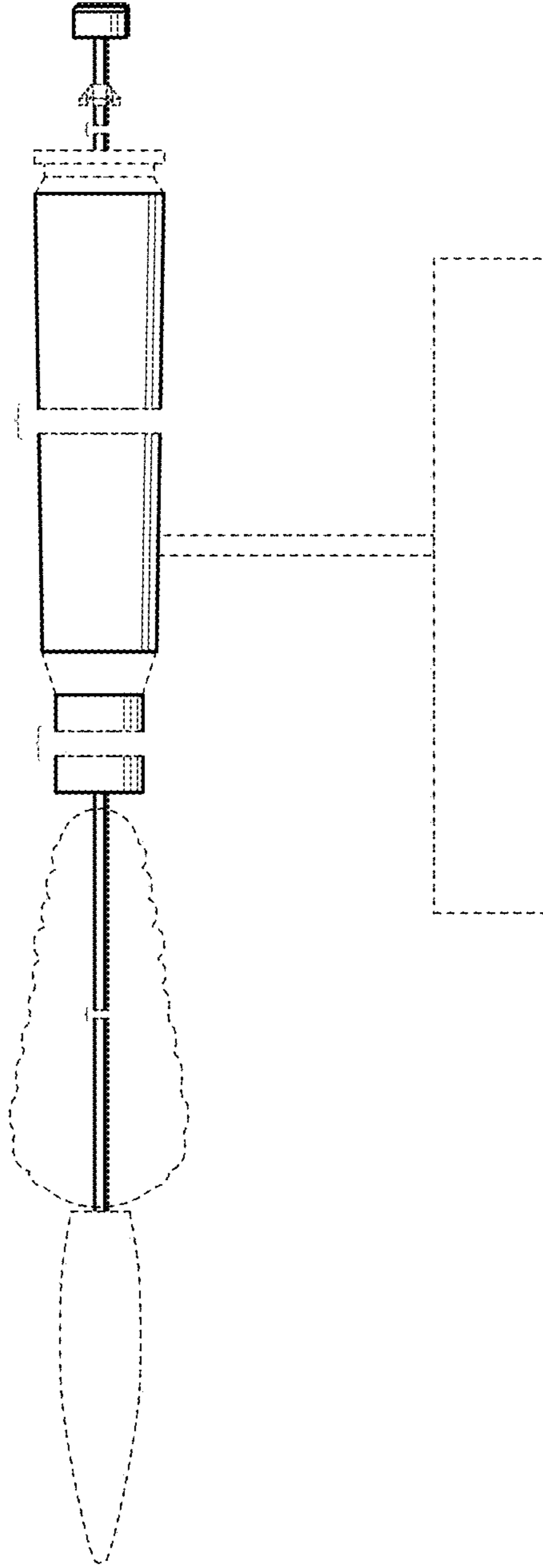


FIG. 2

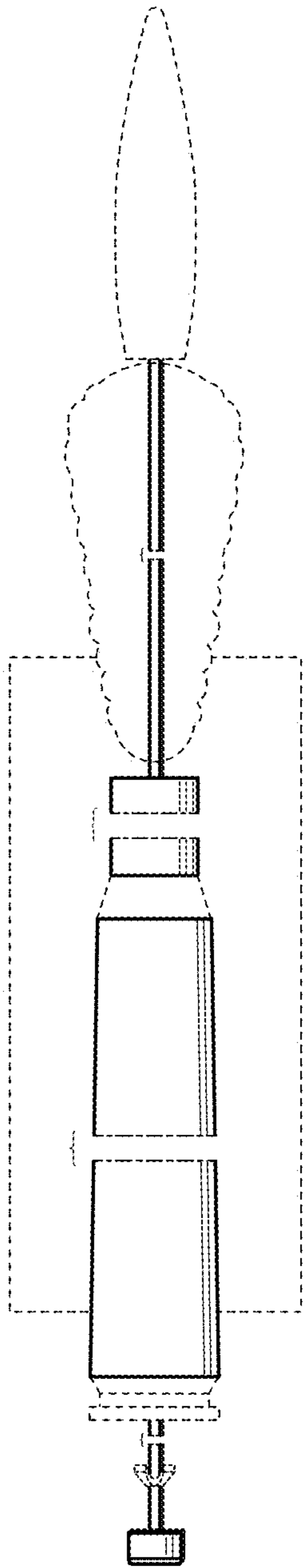


FIG. 3

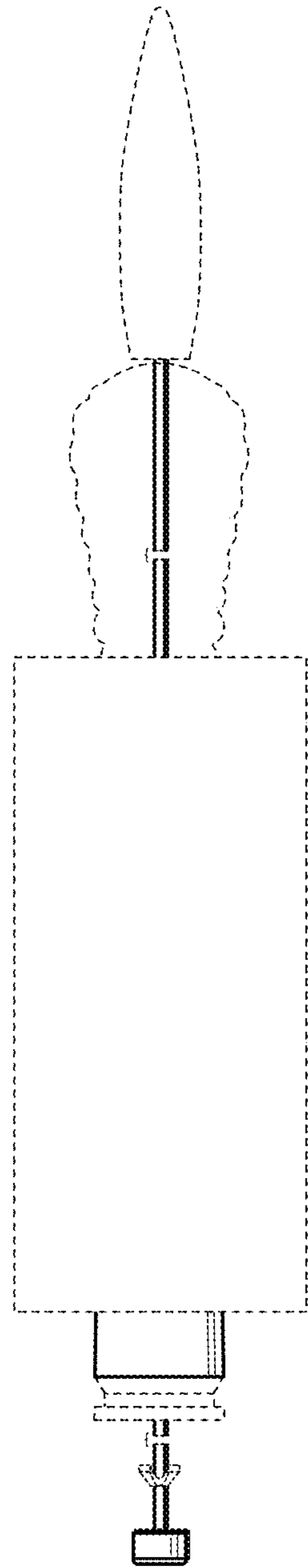


FIG. 4

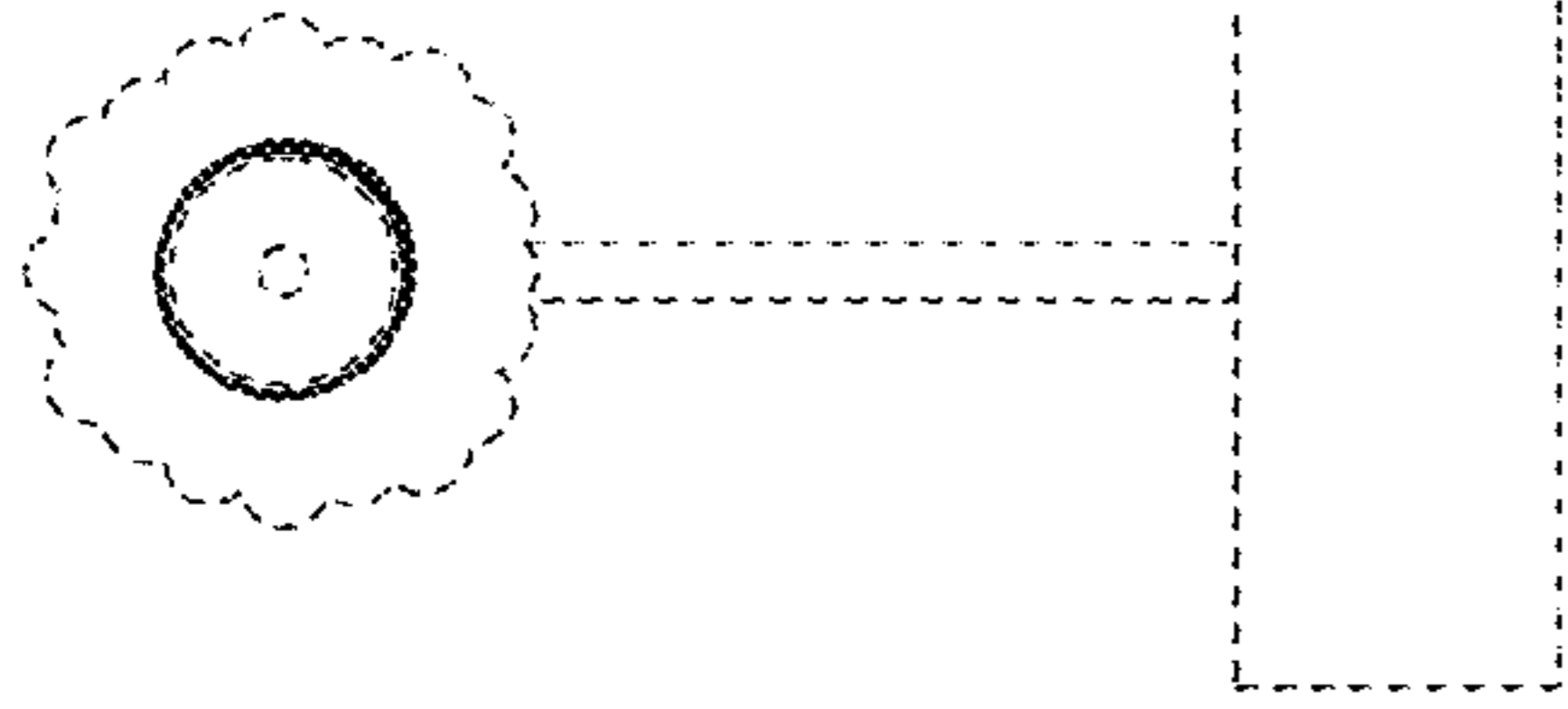


FIG. 5

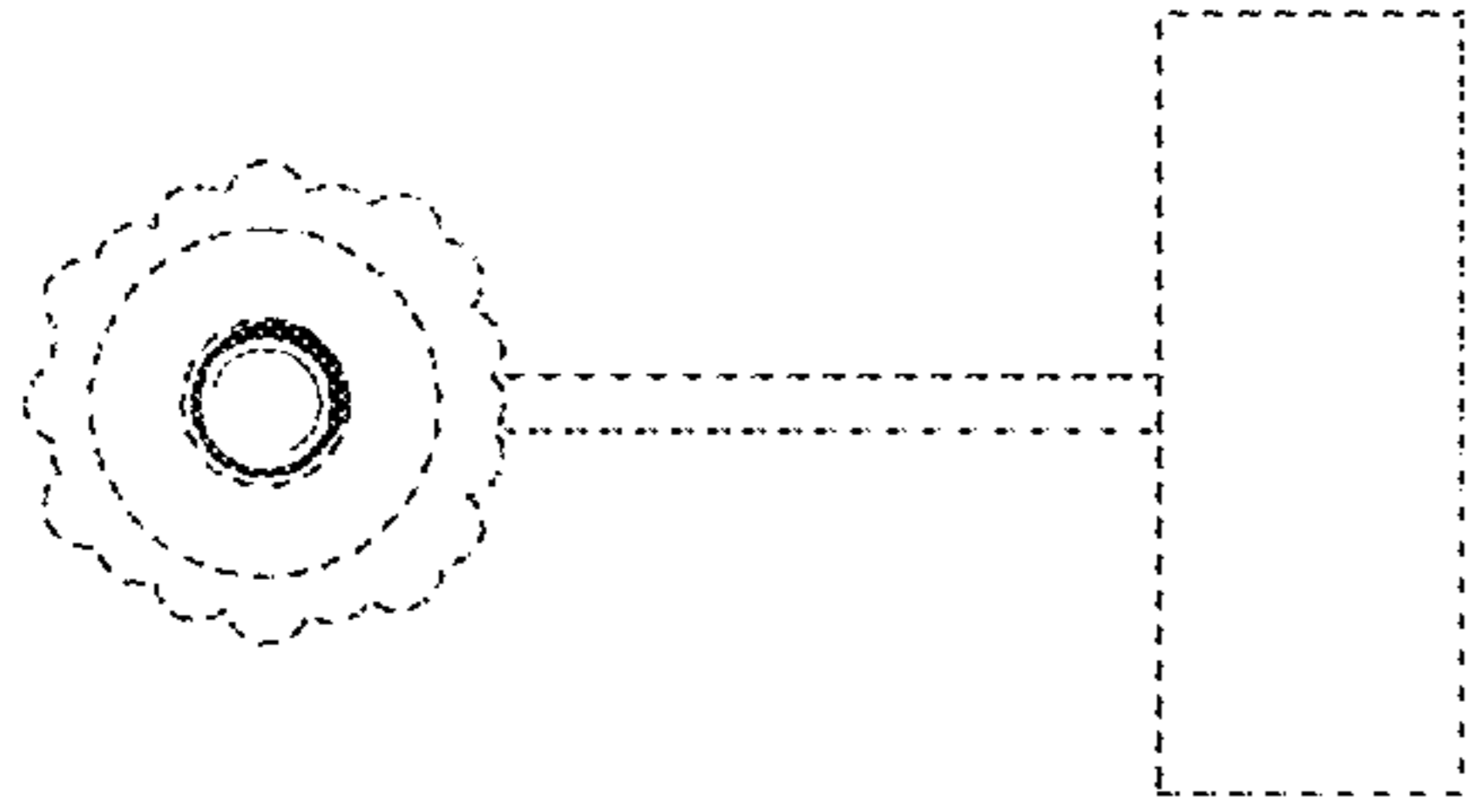


FIG. 6

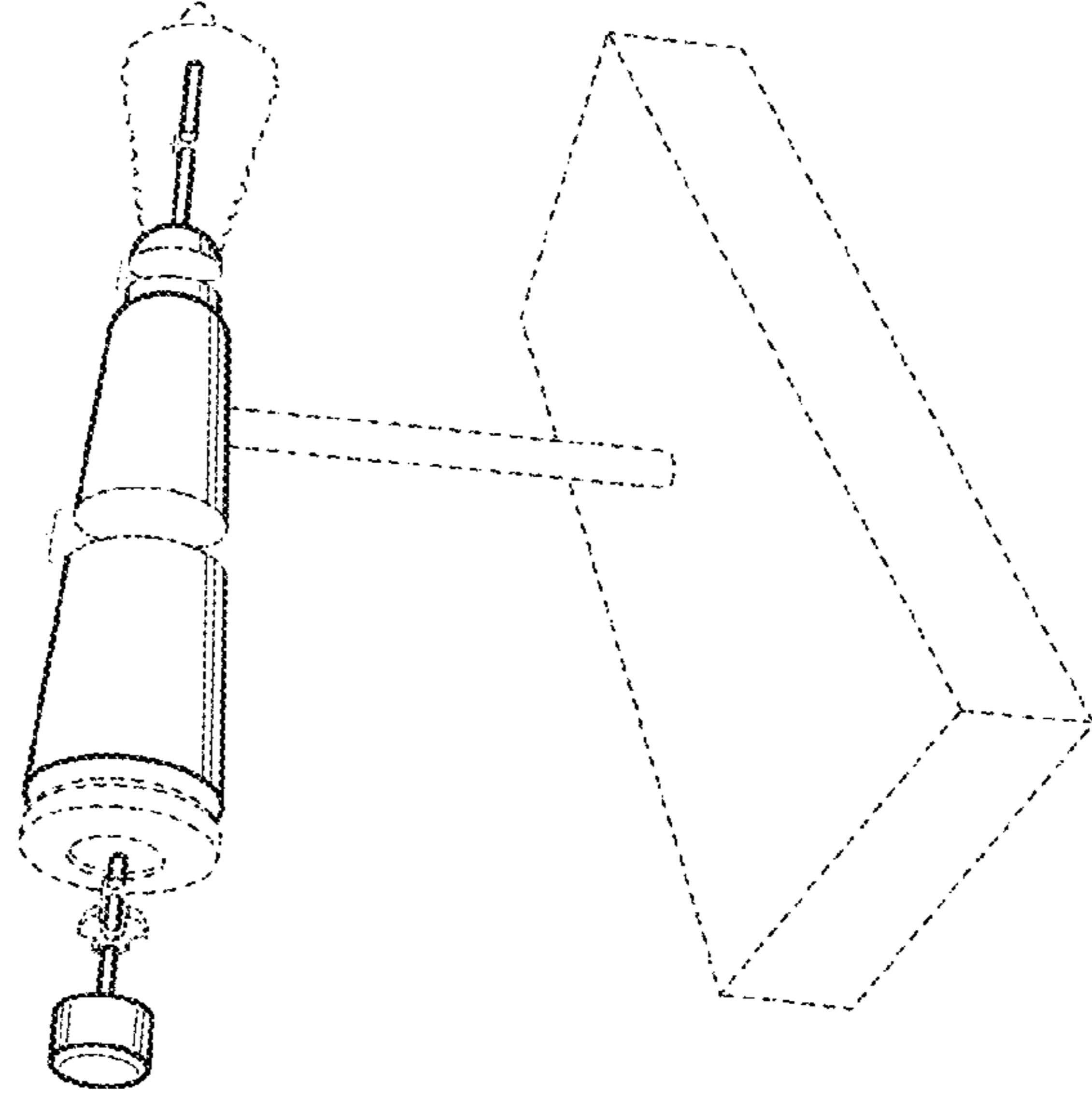


FIG. 7