



US00D989860S

(12) **United States Design Patent**
Ogi et al.

(10) **Patent No.:** **US D989,860 S**
(45) **Date of Patent:** **** Jun. 20, 2023**

(54) **DIGITAL MULTIFUNCTION PRINTER**

(71) Applicant: **FUJIFILM Corporation**, Tokyo (JP)

(72) Inventors: **Kazuyuki Ogi**, Tokyo (JP); **Masaaki Takenouchi**, Tokyo (JP)

(73) Assignee: **FUJIFILM CORPORATION**, Tokyo (JP)

(**) Term: **15 Years**

(21) Appl. No.: **29/739,226**

(22) Filed: **Jun. 23, 2020**

(30) **Foreign Application Priority Data**

Dec. 26, 2019 (JP) 2019-029014

(51) **LOC (14) Cl.** **18-02**

(52) **U.S. Cl.**
USPC **D18/53**

(58) **Field of Classification Search**
USPC D15/122, 135, 138; D18/41, 46-56;
D14/300, 301, 302, 303, 307, 308, 314,
D14/316, 321, 445, 446, 334, 339, 365,
D14/378

CPC H04N 1/2158; H04N 1/10
See application file for complete search history.

(56) **References Cited**

U.S. PATENT DOCUMENTS

D599,398 S *	9/2009	Laidlaw	D18/53
D622,762 S *	8/2010	Egami	D18/55
D627,390 S *	11/2010	Terenzio	D18/50
D642,212 S *	7/2011	Terenzio	D18/55
D643,464 S *	8/2011	Sato	D18/55
D643,875 S *	8/2011	Suzuki	D18/55
D647,133 S *	10/2011	Sato	D18/55
D685,414 S *	7/2013	Jeong	D18/53
D695,339 S *	12/2013	Fukasawa	D18/55
D697,965 S *	1/2014	Fukasawa	D18/55

D697,966 S *	1/2014	Fukasawa	D18/55
D755,284 S *	5/2016	Terenzio	D18/50
D783,712 S *	4/2017	Kim	D18/55
D790,625 S *	6/2017	Peng	D18/56

(Continued)

FOREIGN PATENT DOCUMENTS

CN	304030191	*	2/2017
JP	D1590725	*	11/2017

OTHER PUBLICATIONS

Canon all in one printer,Amazon.com,date published Apr. 28, 2019,date retrieved Oct. 5, 2022—1329739216—https://amzn.to/3EksZJU (Year: 2019).*

Primary Examiner — Nicole C Shiflet

Assistant Examiner — Danielle Nichole Bowly

(74) *Attorney, Agent, or Firm* — McGinn I.P. Law Group, PLLC.

(57) **CLAIM**

The ornamental design for a digital multifunction printer, as shown and described.

DESCRIPTION

FIG. 1 is a perspective view of a digital multifunction printer showing our new design;

FIG. 2 is another perspective view of the digital multifunction printer;

FIG. 3 is a front view of the digital multifunction printer;

FIG. 4 is a rear view of the digital multifunction printer;

FIG. 5 is a plan view of the digital multifunction printer;

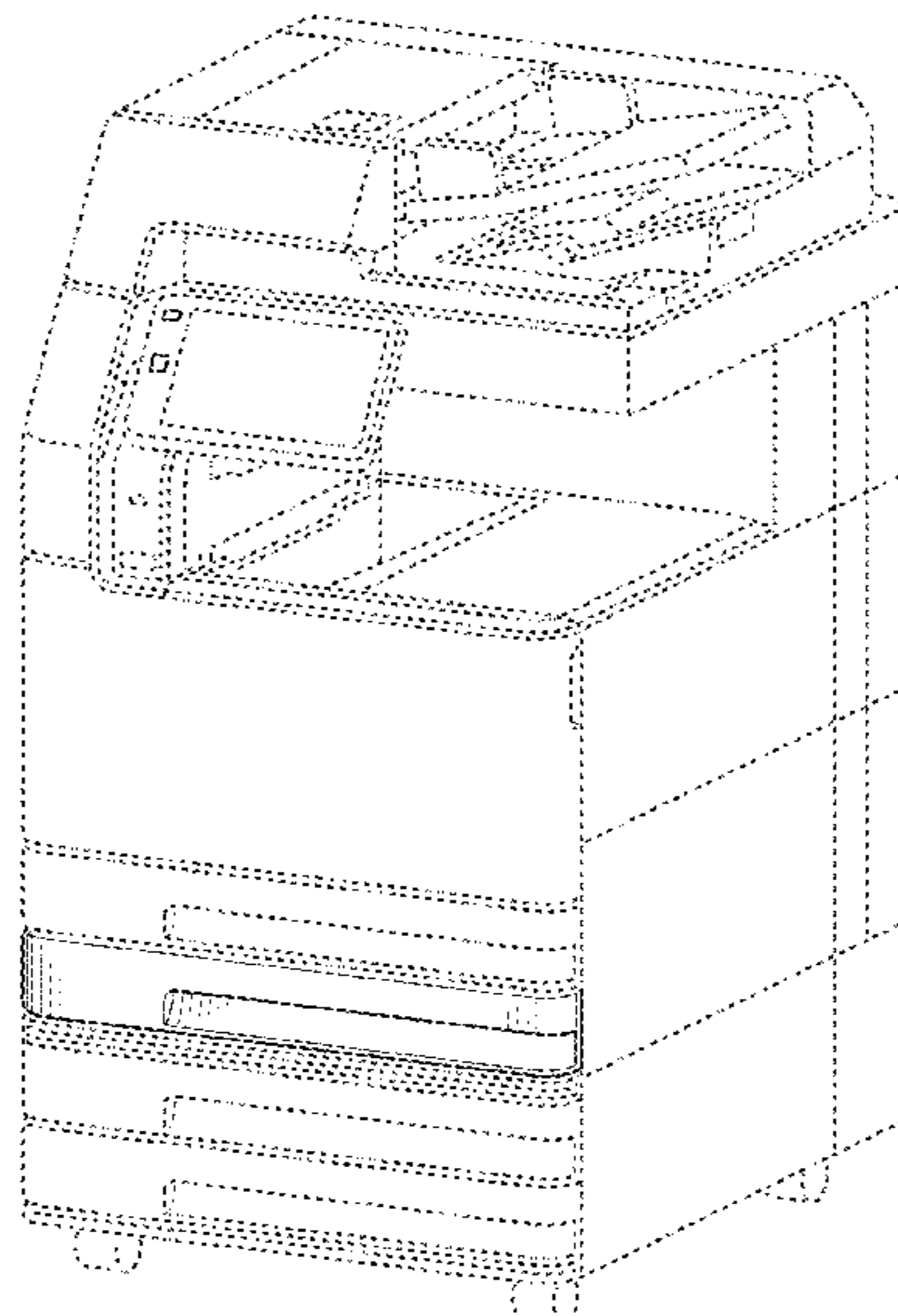
FIG. 6 is a bottom view of the digital multifunction printer;

FIG. 7 is a right side view of the digital multifunction printer; and,

FIG. 8 is a left side view of the digital multifunction printer.

The broken lines in the drawings illustrate portions of the article that form no part of the claimed design.

1 Claim, 8 Drawing Sheets



(56)

References Cited

U.S. PATENT DOCUMENTS

D794,707 S *	8/2017	Nanno	D18/50
D802,659 S *	11/2017	Peng	D18/56
D830,451 S *	10/2018	Makino	D18/53
D832,341 S *	10/2018	Brown	D18/50
D836,713 S *	12/2018	Brown	D18/50
D857,793 S *	8/2019	Brown	D18/50
D865,052 S *	10/2019	Oda	D18/50
D868,151 S *	11/2019	Inada	D18/50
D868,884 S *	12/2019	Inada	D18/50
D944,891 S *	3/2022	Inada	D18/53

* cited by examiner

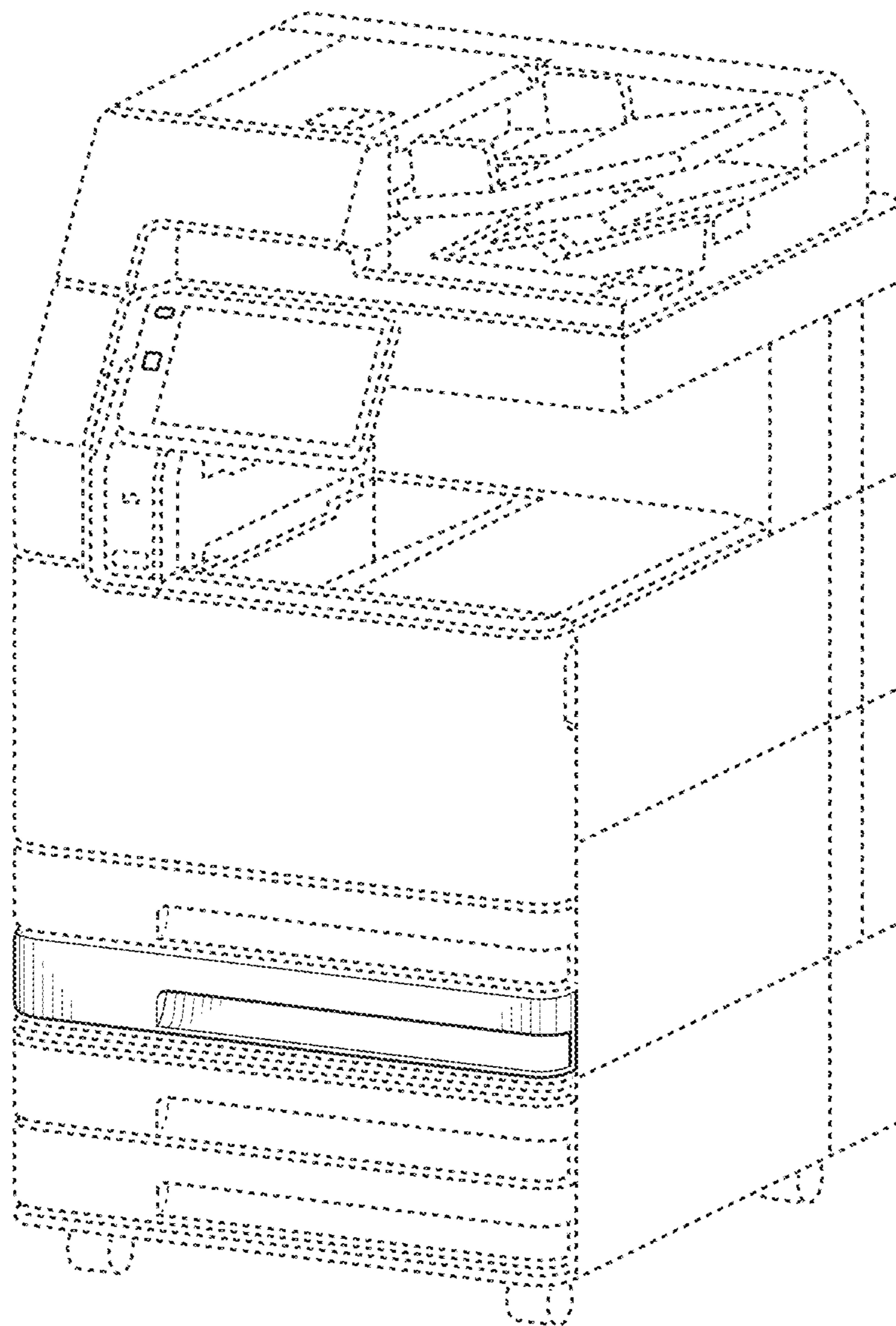


FIG. 1

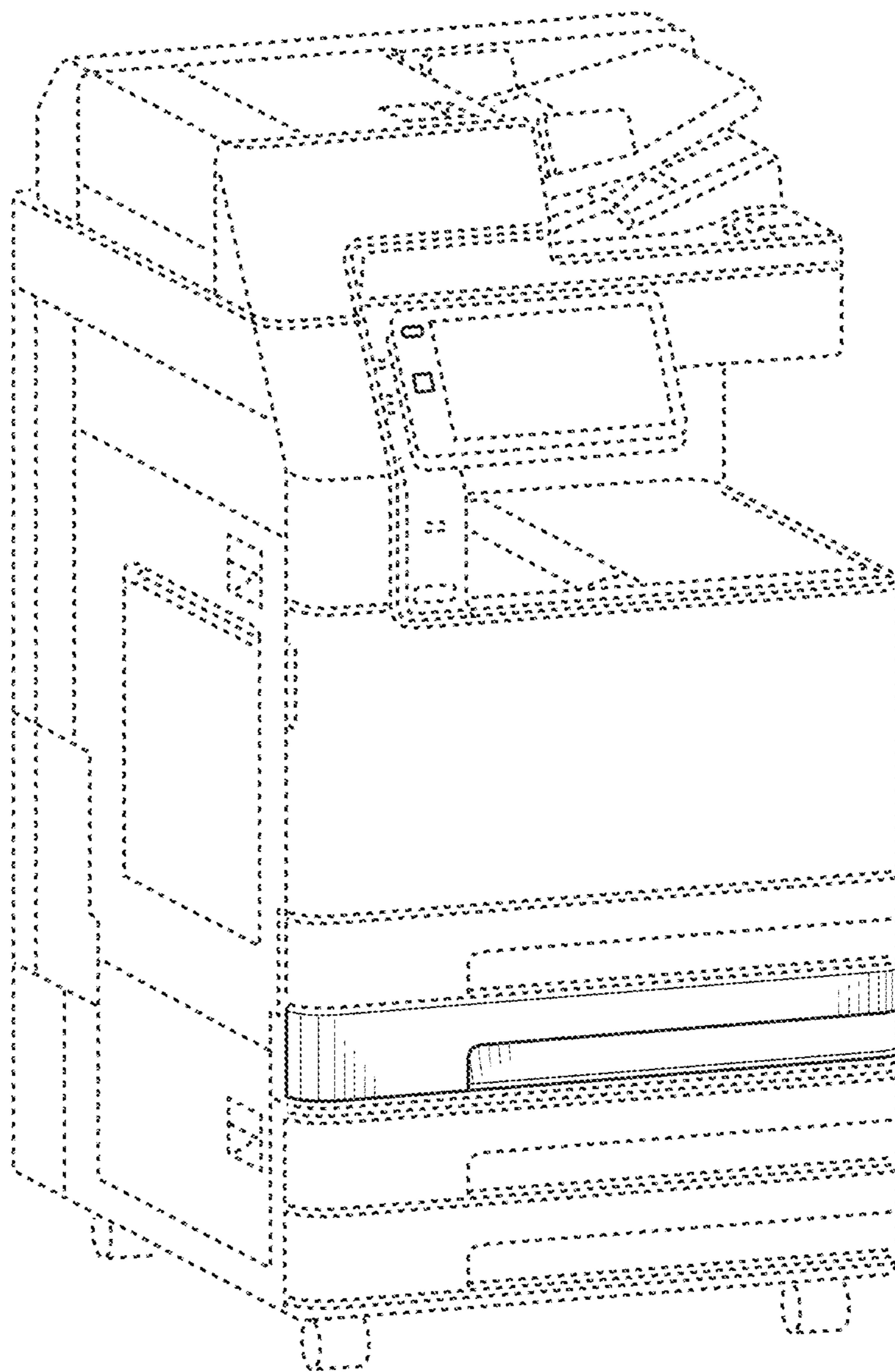


FIG. 2

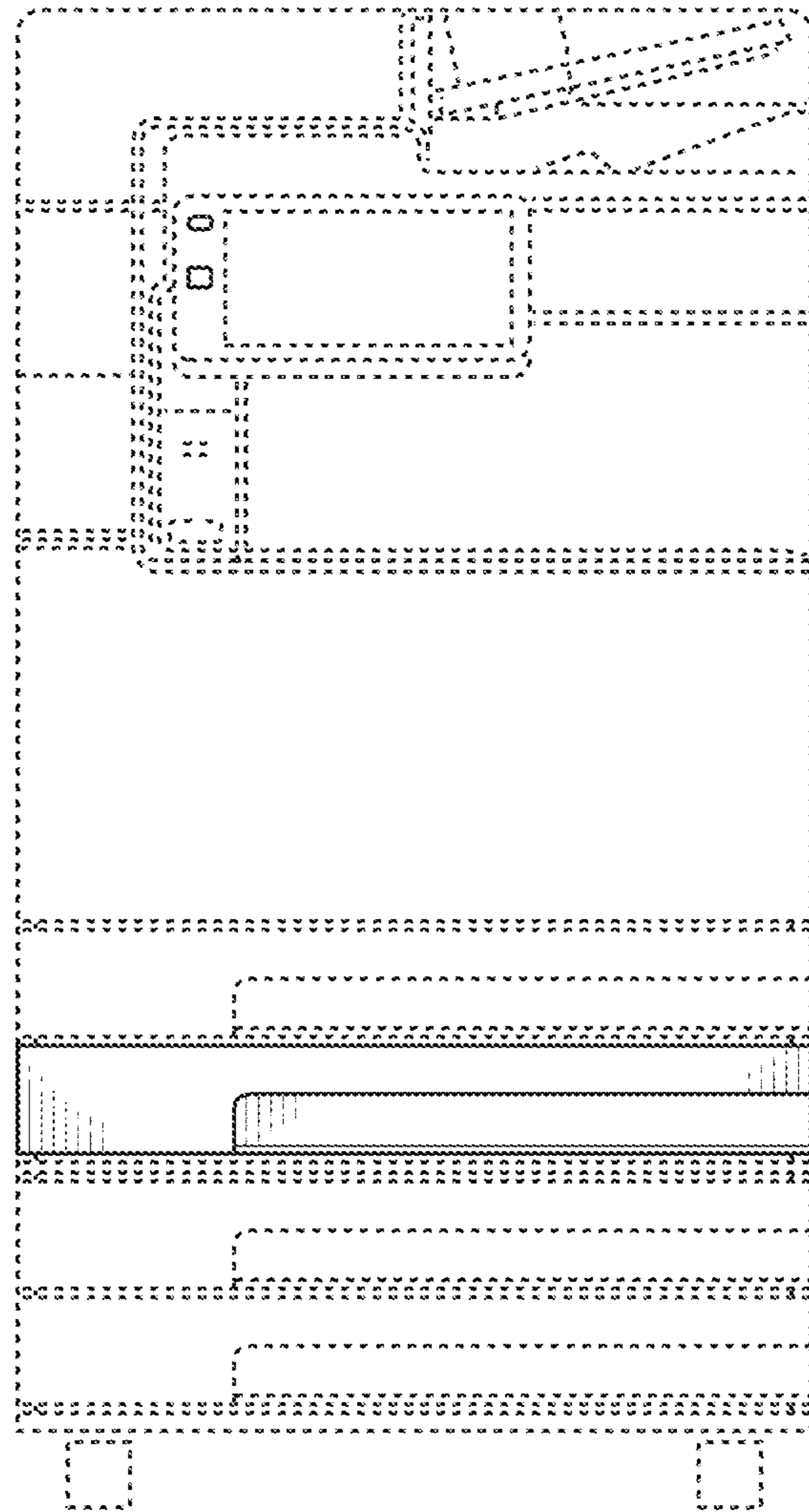


FIG. 3

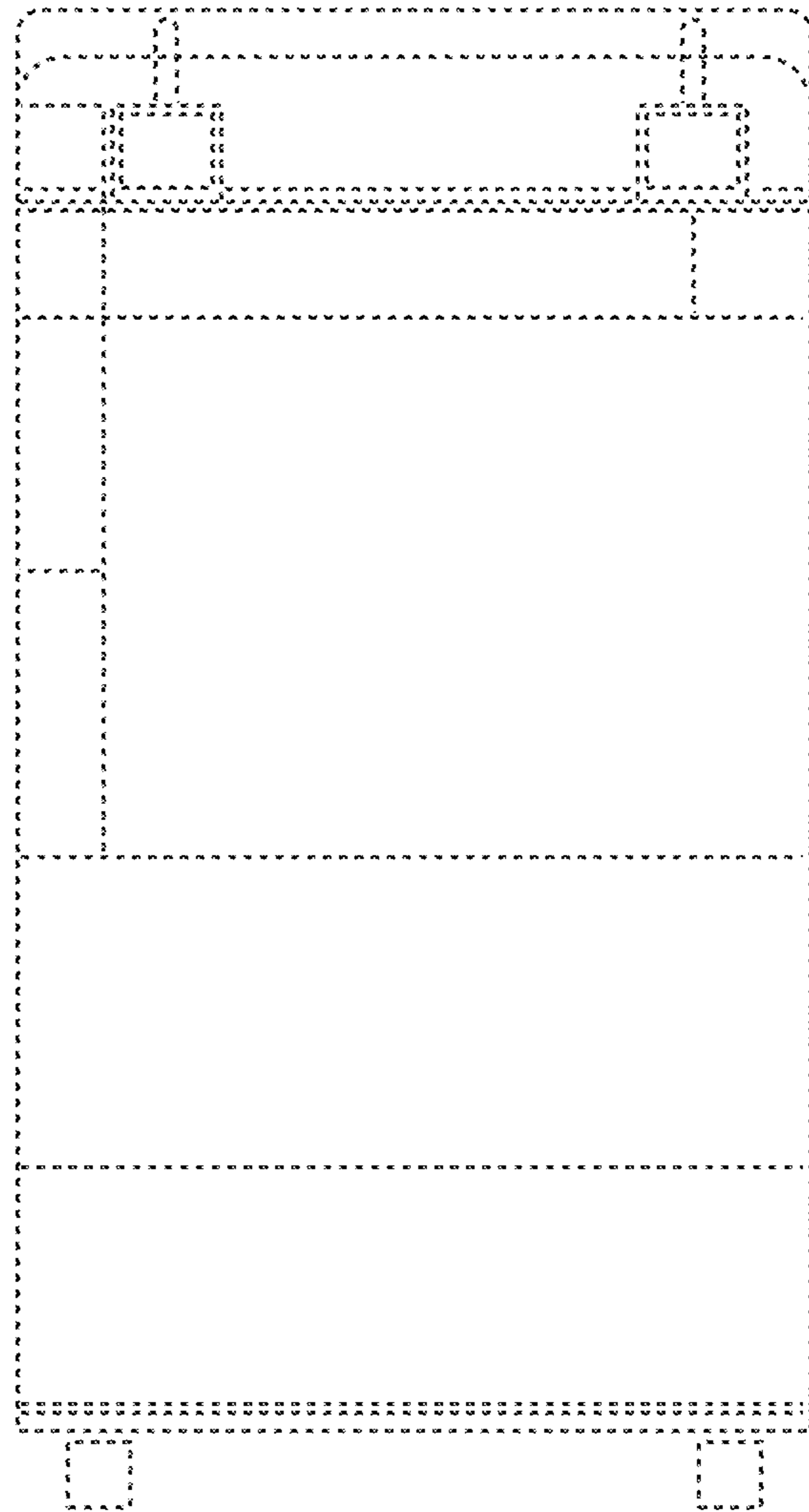


FIG. 4

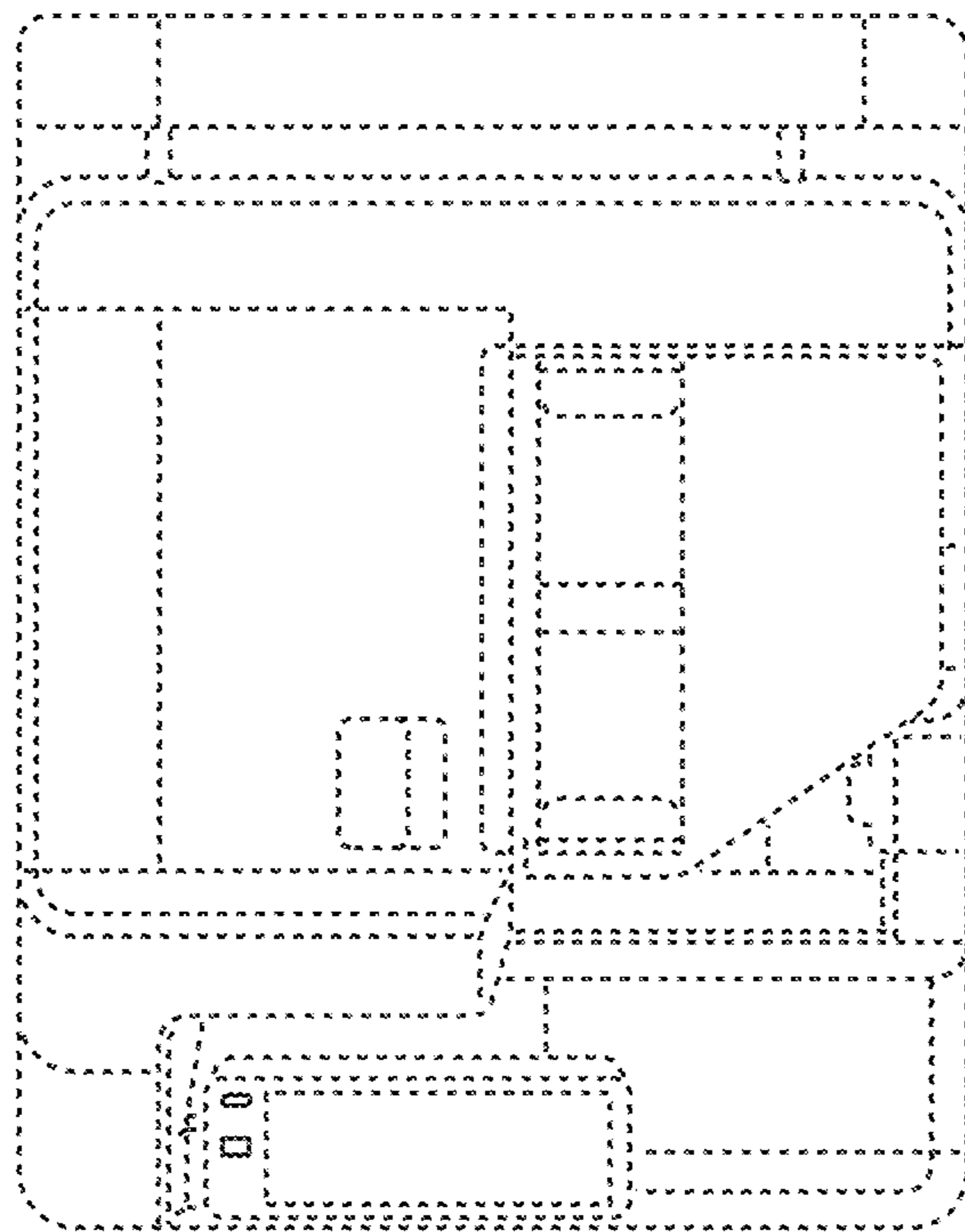


FIG. 5

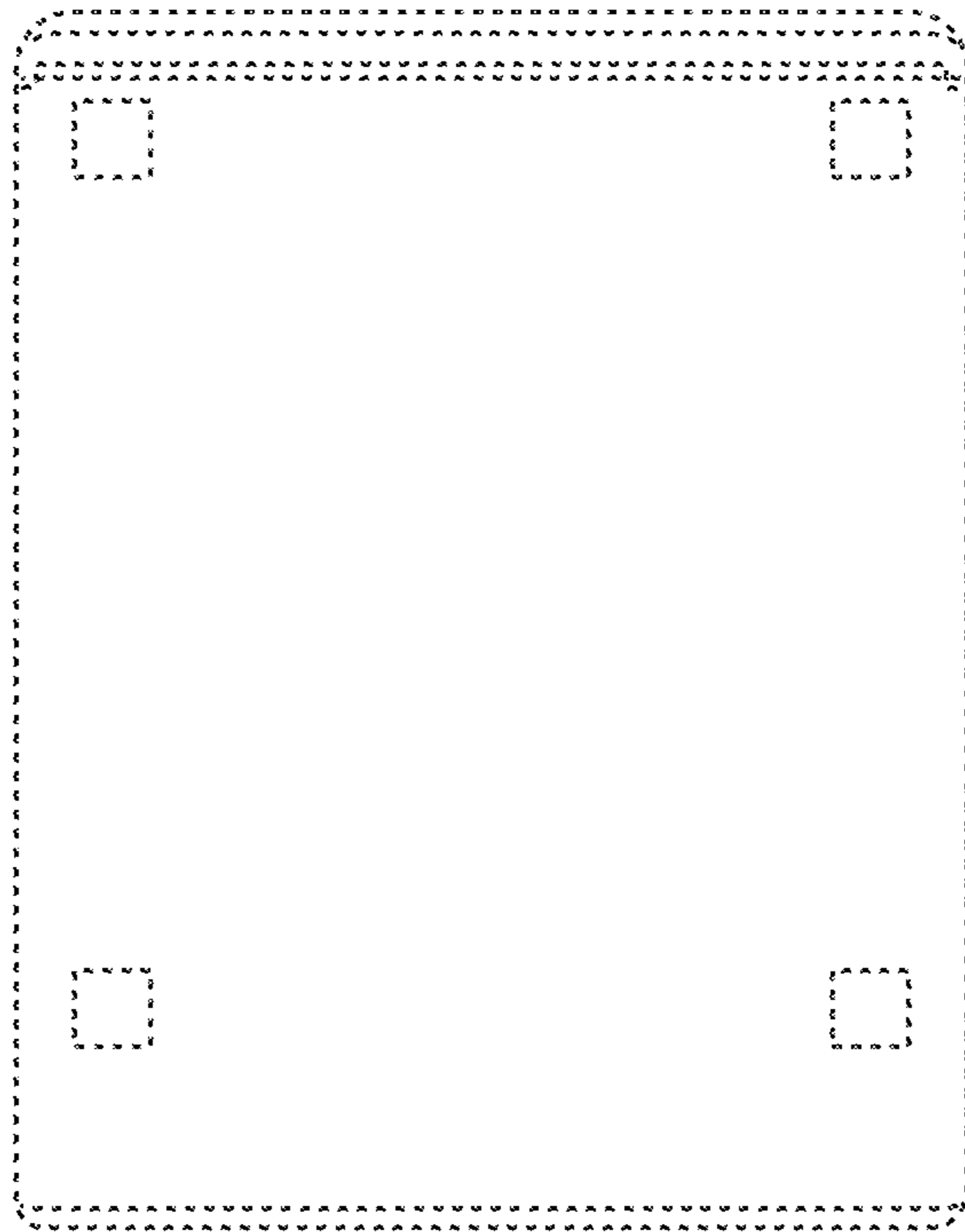


FIG. 6

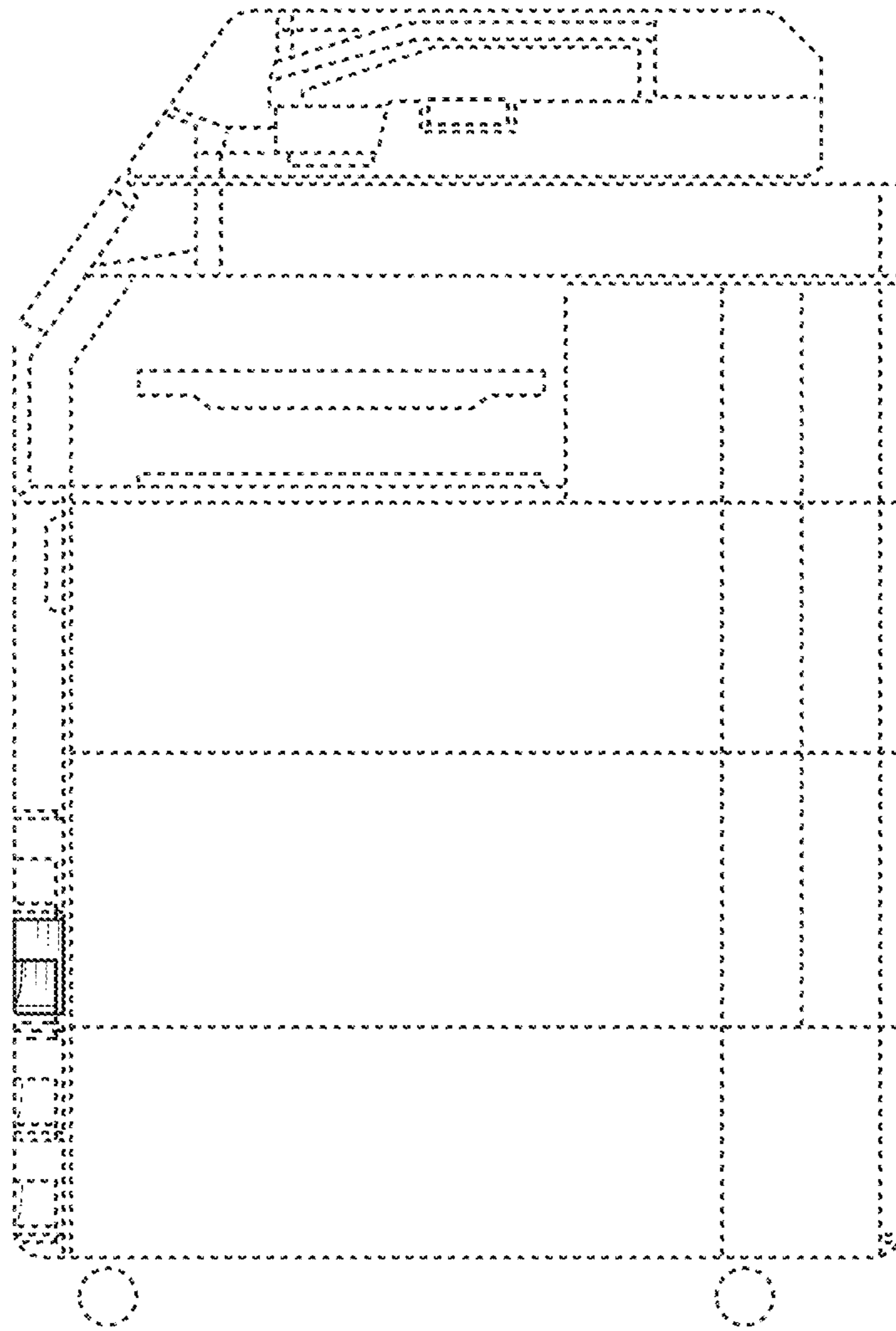


FIG. 7

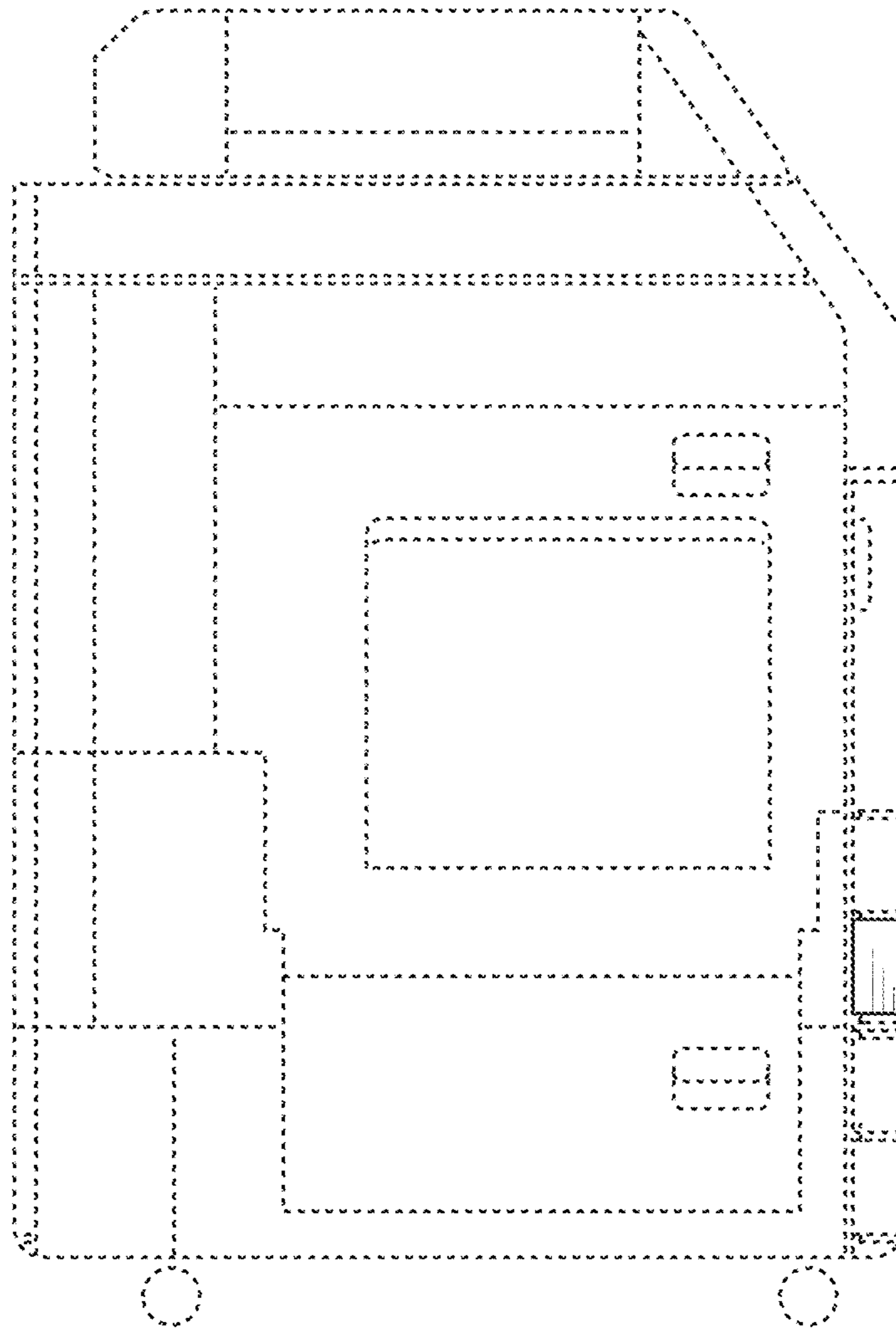


FIG. 8