



US00D989859S

(12) **United States Design Patent**
Ogi et al.

(10) **Patent No.:** **US D989,859 S**
(45) **Date of Patent:** **** Jun. 20, 2023**

(54) **DIGITAL MULTIFUNCTION PRINTER**

FOREIGN PATENT DOCUMENTS

(71) Applicant: **FUJIFILM Corporation**, Tokyo (JP)

CN 304030191 * 2/2017
JP Design 1363056 6/2009

(72) Inventors: **Kazuyuki Ogi**, Tokyo (JP); **Masaaki Takenouchi**, Tokyo (JP)

(Continued)

(73) Assignee: **FUJIFILM CORPORATION**, Tokyo (JP)

OTHER PUBLICATIONS

(**) Term: **15 Years**

Canon all in one printer, Amazon.com, date published Apr. 28, 2019, date retrieved Oct. 5, 2022—29739216—https://amzn.to/3EksZJU (Year: 2019).*

(21) Appl. No.: **29/739,216**

Primary Examiner — Nicole C Shiflet

(22) Filed: **Jun. 23, 2020**

Assistant Examiner — Danielle Nichole Bowly

(30) **Foreign Application Priority Data**

(74) *Attorney, Agent, or Firm* — McGinn I.P. Law Group, PLLC.

Dec. 26, 2019 (JP) 2019-029011

(51) **LOC (14) Cl.** **18-02**

(57) **CLAIM**

(52) **U.S. Cl.**

The ornamental design for a digital multifunction printer, as shown and described.

USPC **D18/53**

(58) **Field of Classification Search**

DESCRIPTION

USPC D15/122, 135, 138; D18/41, 46–56;

D14/300, 301, 302, 303, 307, 308, 314,

D14/316, 321, 445, 446, 334, 339, 365,

D14/378

CPC H04N 1/2158; H04N 1/10

See application file for complete search history.

FIG. 1 is a perspective view of a digital multifunction printer showing our new design;

FIG. 2 is another perspective view of the digital multifunction printer;

FIG. 3 is a front view of the digital multifunction printer;

FIG. 4 is a rear view of the digital multifunction printer;

FIG. 5 is a plan view of the digital multifunction printer;

FIG. 6 is a bottom view of the digital multifunction printer;

FIG. 7 is a right side view of the digital multifunction printer; and,

FIG. 8 is a left side view of the digital multifunction printer.

The evenly dashed broken lines in the drawings illustrate portions of the article that form no part of the claimed design. The dot-dash broken lines indicate boundaries of claimed subject matter and form no part of the claimed design.

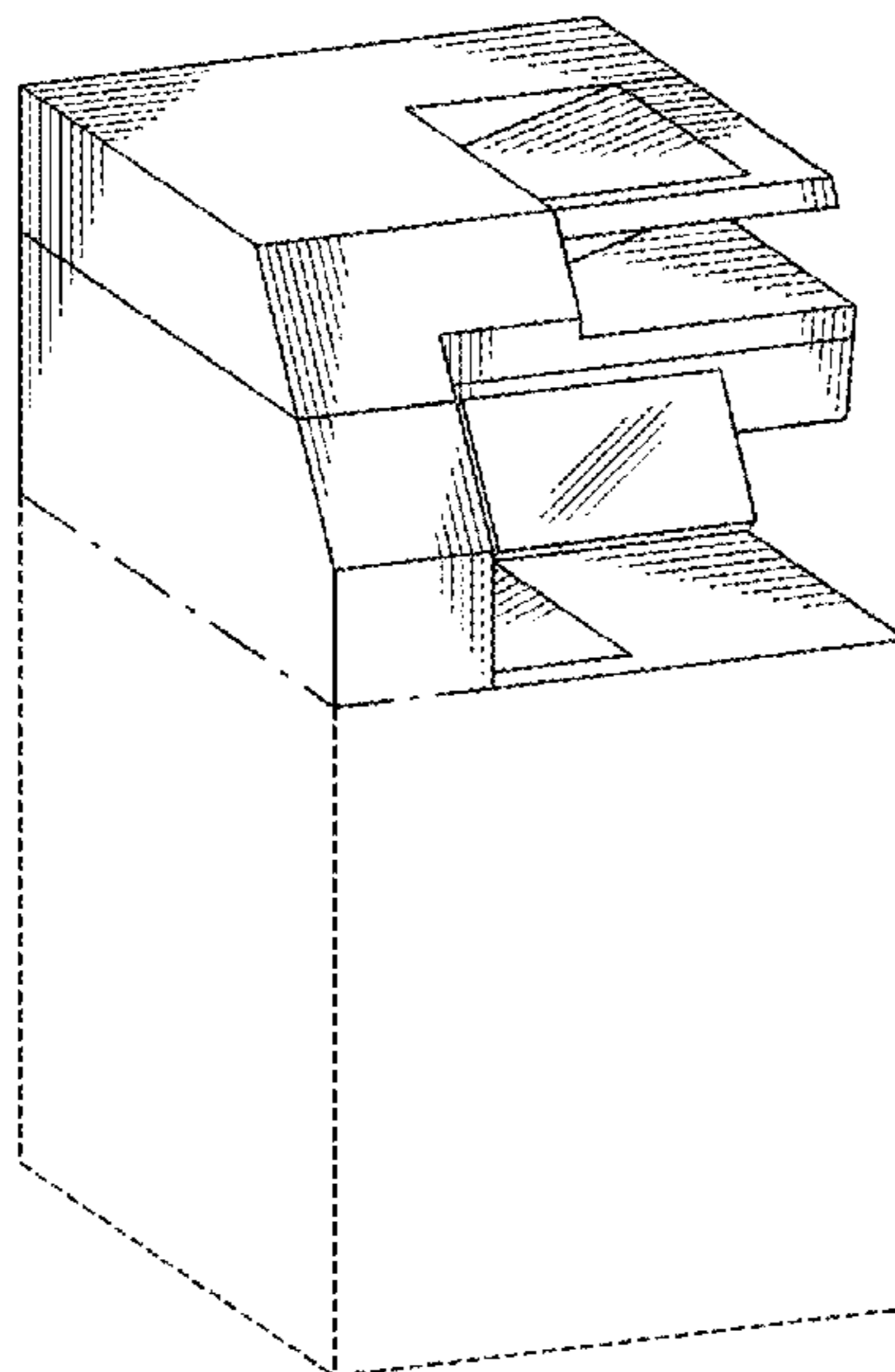
(56) **References Cited**

U.S. PATENT DOCUMENTS

- D599,398 S * 9/2009 Laidlaw D18/53
- D622,762 S * 8/2010 Egami D18/55
- D627,390 S * 11/2010 Terenzio D18/50
- D642,212 S * 7/2011 Terenzio D18/55
- D643,464 S * 8/2011 Sato D18/55
- D643,875 S * 8/2011 Suzuki D18/55
- D647,133 S * 10/2011 Sato D18/55
- D685,414 S * 7/2013 Jeong D18/53
- D695,339 S * 12/2013 Fukasawa D18/55

(Continued)

1 Claim, 8 Drawing Sheets



(56)

References Cited

U.S. PATENT DOCUMENTS

D697,965	S	*	1/2014	Fukasawa	D18/55
D697,966	S	*	1/2014	Fukasawa	D18/55
D755,284	S	*	5/2016	Terenzio	D18/50
D783,712	S	*	4/2017	Kim	D18/55
D790,625	S	*	6/2017	Peng	D18/56
D794,707	S	*	8/2017	Nanno	D18/50
D802,659	S	*	11/2017	Peng	D18/56
D830,451	S	*	10/2018	Makino	D18/53
D832,341	S	*	10/2018	Brown	D18/50
D836,713	S	*	12/2018	Brown	D18/50
D857,793	S	*	8/2019	Brown	D18/50
D865,052	S	*	10/2019	Oda	D18/50
D868,151	S	*	11/2019	Inada	D18/50
D868,884	S	*	12/2019	Inada	D18/50
D944,891	S	*	3/2022	Inada	D18/53

FOREIGN PATENT DOCUMENTS

JP	Design 1405149		1/2012
JP	D1590725	*	11/2017
KR	Design 30-0949392		3/2018

* cited by examiner

FIG. 1

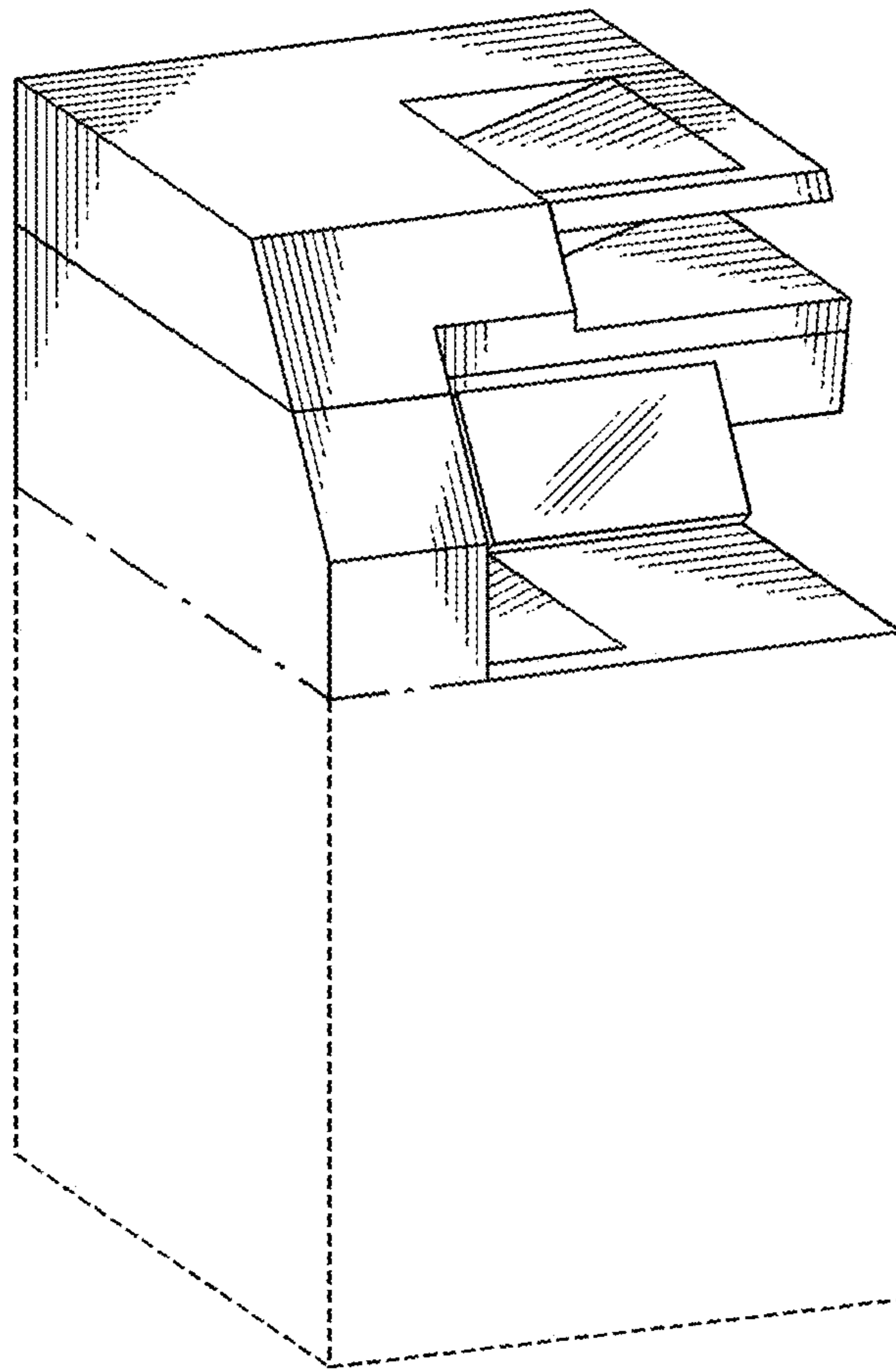


FIG. 2

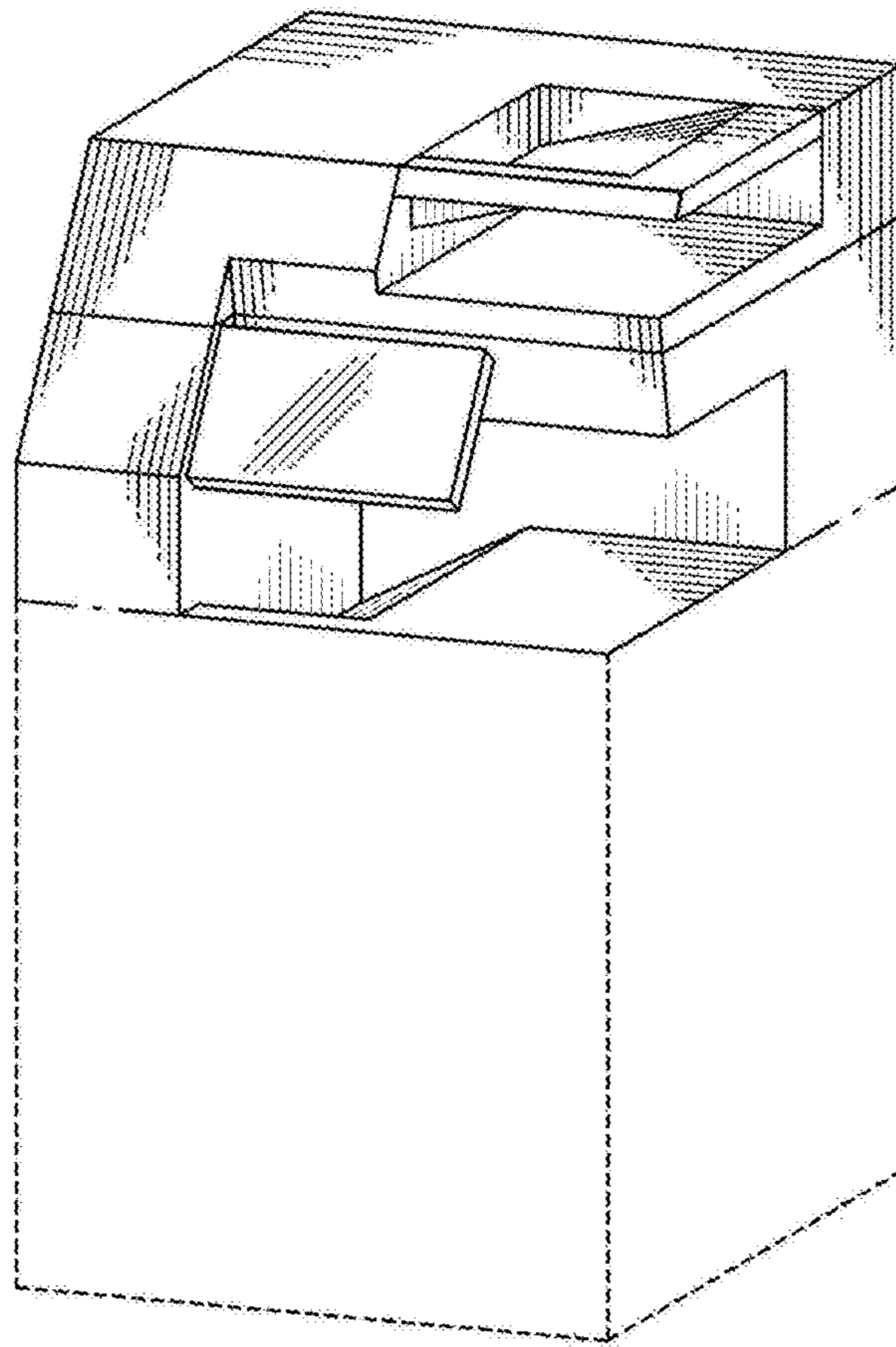


FIG. 3

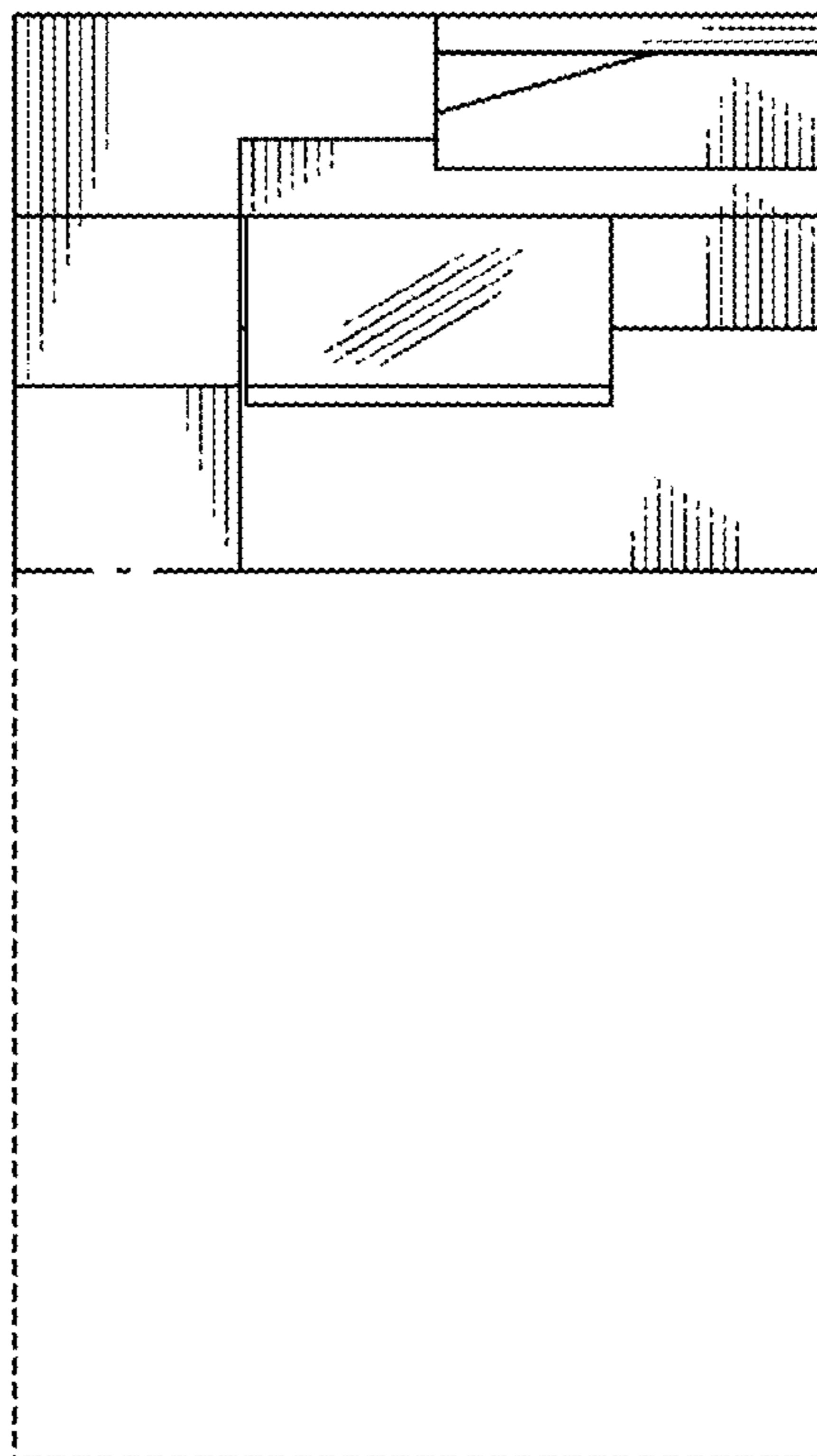


FIG. 4

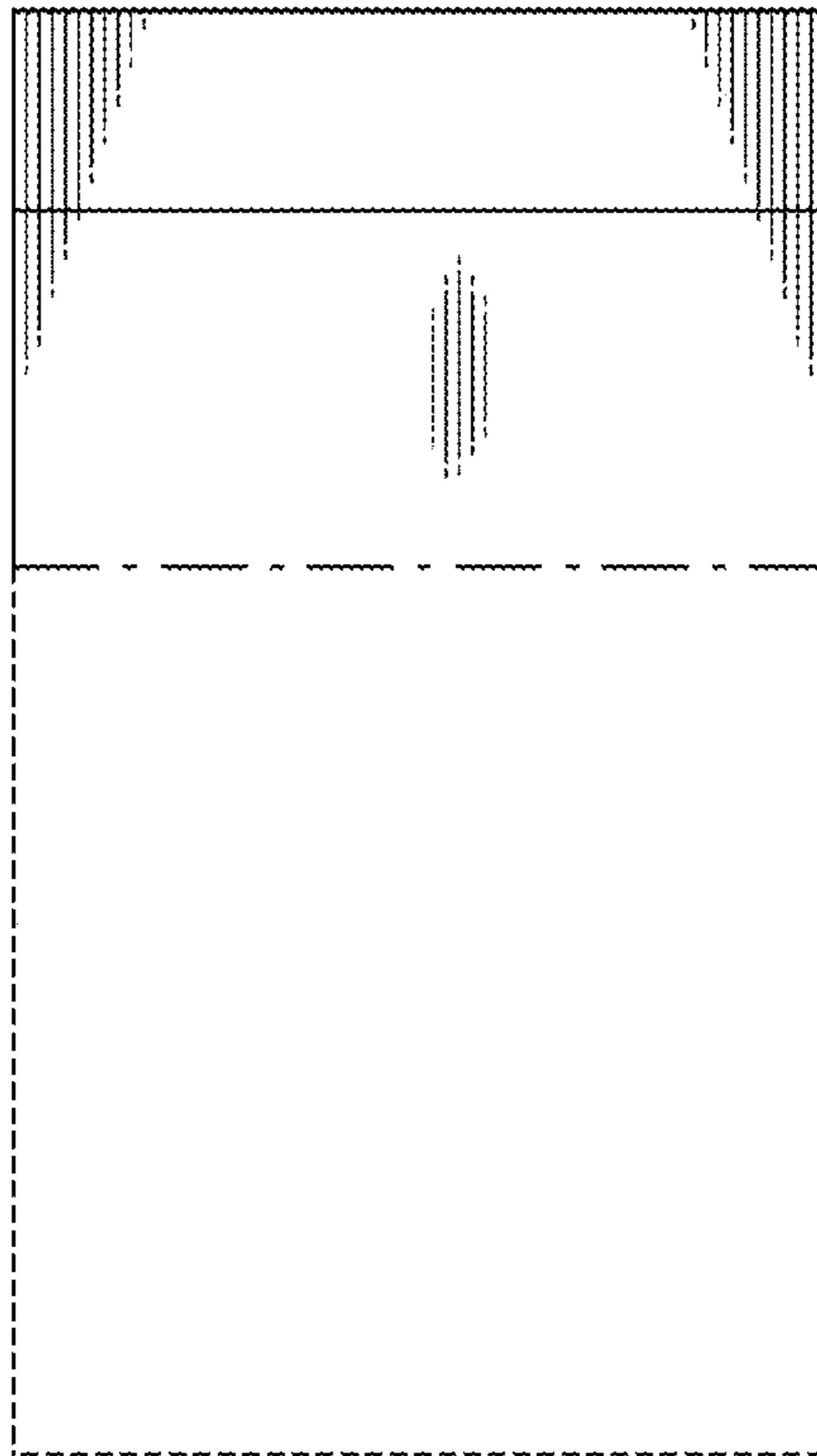


FIG. 5

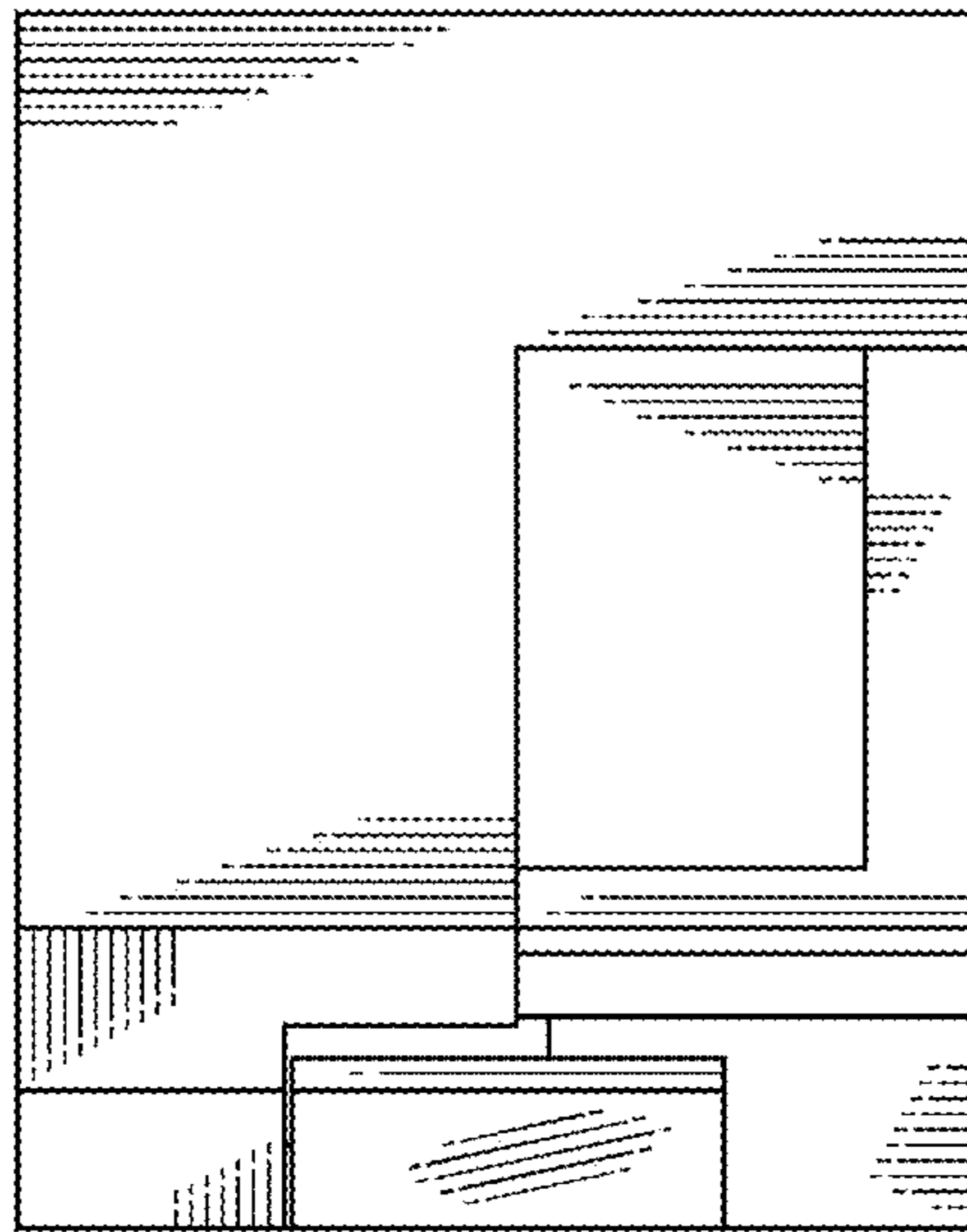


FIG. 6

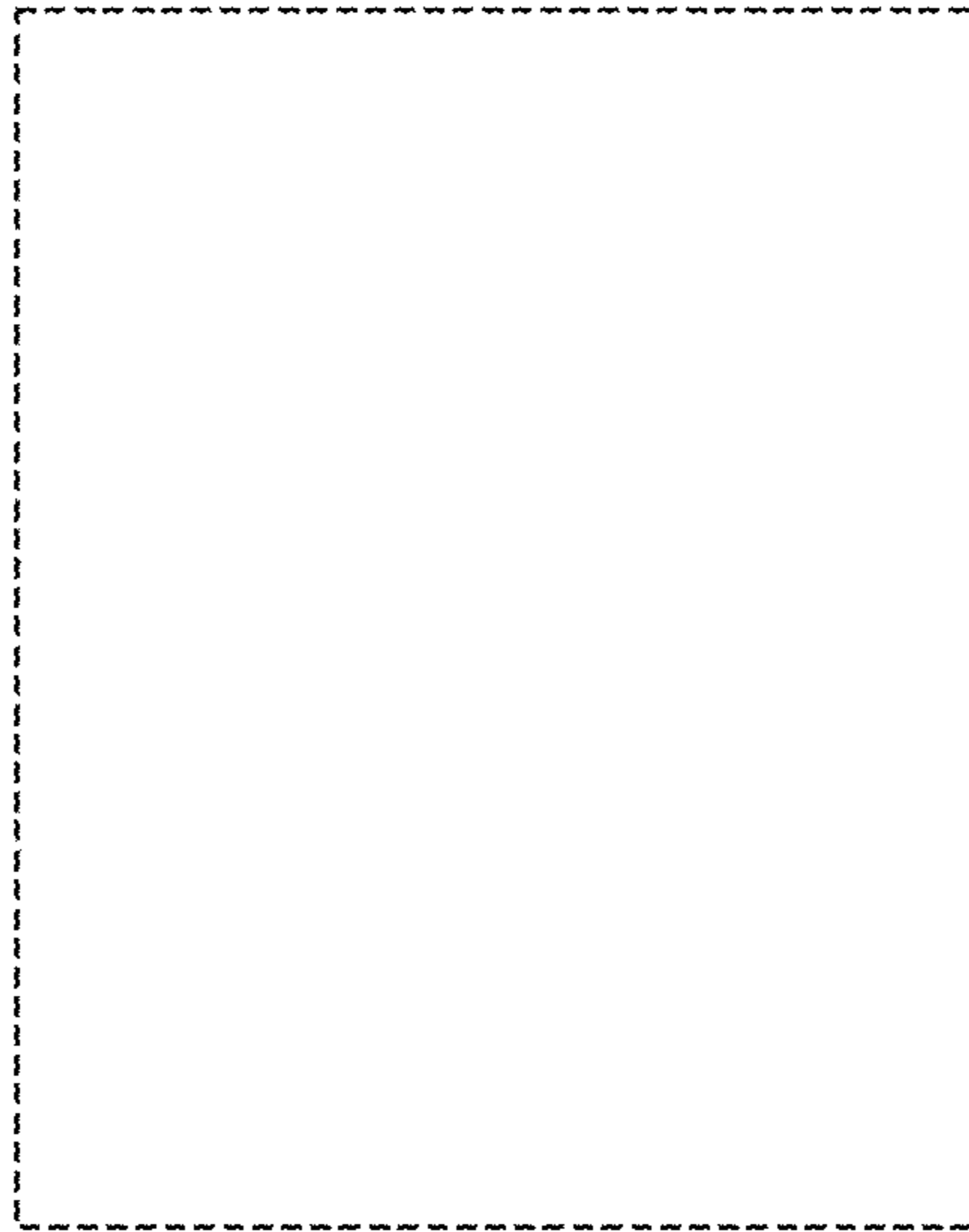


FIG. 7

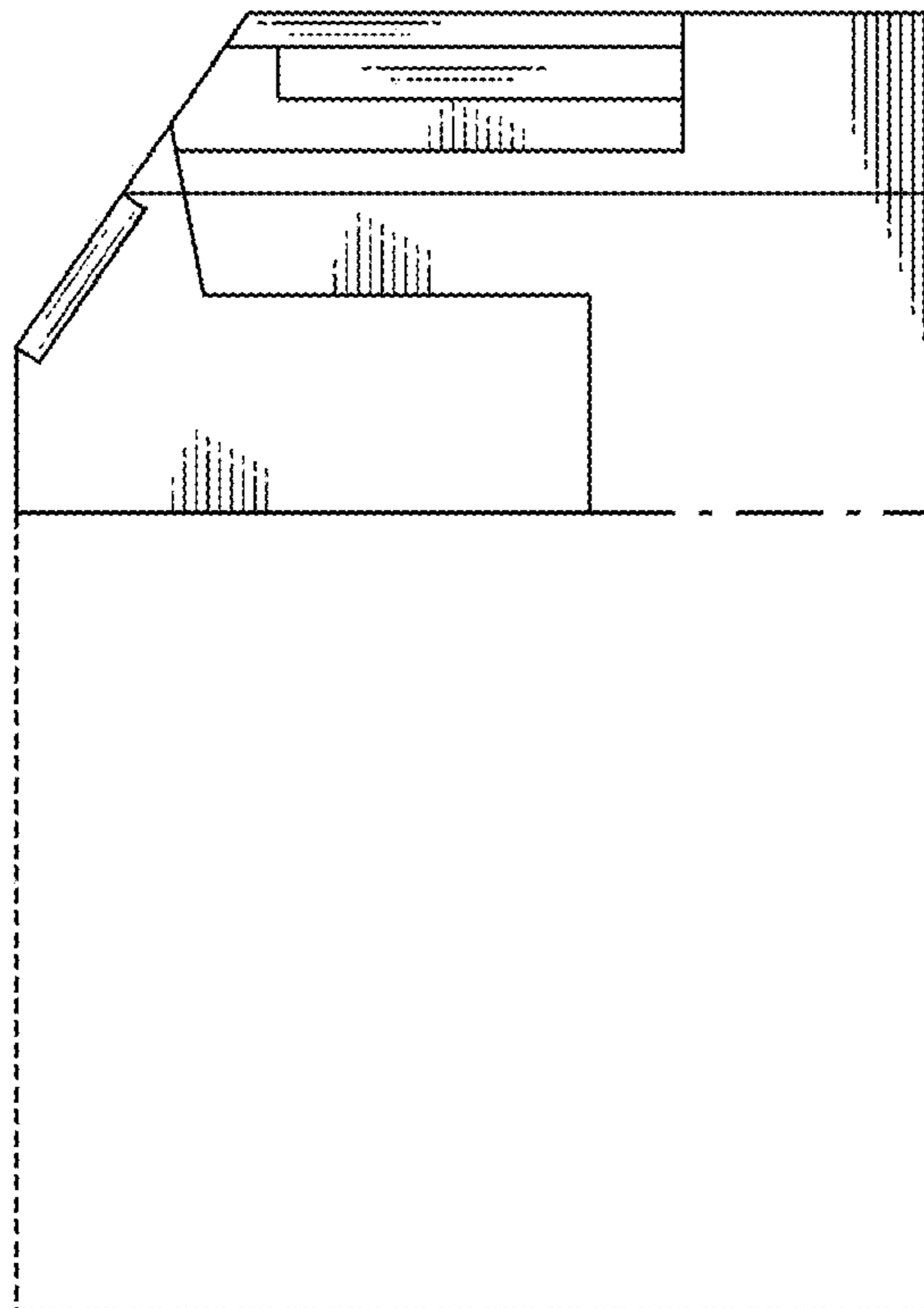


FIG. 8

