



US00D989856S

(12) **United States Design Patent**  
**Wang et al.**

(10) **Patent No.:** **US D989,856 S**  
(45) **Date of Patent:** **\*\* Jun. 20, 2023**

(54) **TONER CARTRIDGE**

FOREIGN PATENT DOCUMENTS

(71) Applicant: **BROTHER INDUSTRIES, LTD.**,  
Nagoya (JP)

CN 301824455 \* 2/2012  
CN 302974305 \* 10/2014

(72) Inventors: **Yuwen Wang**, Nagoya (JP); **Kazuaki Ooka**, Nagoya (JP); **Masayoshi Mita**, Nagoya (JP)

OTHER PUBLICATIONS

Brother Toner cartridge,tineye,tigerdirect.com,date published Oct. 21, 2017,date retrieved Jul. 9, 2022—U.S. Appl. No. 29/768,278—<https://www.amazon.com/Brother-MFC-7840W-Toner-Cartridge-1-Pack/dp/B008E8S9FI> (Year: 2017).\*

(73) Assignee: **BROTHER INDUSTRIES, LTD.**,  
Nagoya (JP)

(Continued)

(\*\*) Term: **15 Years**

*Primary Examiner* — Nicole C Shiflet

(21) Appl. No.: **29/768,278**

*Assistant Examiner* — Danielle Nichole Bowly

(22) Filed: **Jan. 28, 2021**

(74) *Attorney, Agent, or Firm* — Oliff PLC

(30) **Foreign Application Priority Data**

(57) **CLAIM**

The ornamental design for a toner cartridge, as shown and described.

Jul. 30, 2020 (JP) ..... 2020-015850 D  
Jul. 30, 2020 (JP) ..... 2020-015851 D

**DESCRIPTION**

(51) **LOC (14) Cl.** ..... **16-03**

(52) **U.S. Cl.**  
USPC ..... **D18/43**

(58) **Field of Classification Search**  
USPC ..... D9/631, 708; D14/218, 314, 341, 346,  
D14/356, 432; D18/18, 40, 43, 56  
CPC .... G03G 2221/1648; G03G 2215/0668; Y10S  
222/01  
See application file for complete search history.

FIG. 1 is a perspective view of the toner cartridge;  
FIG. 2 is a perspective view thereof;  
FIG. 3 is a front elevational view thereof;  
FIG. 4 is a rear elevational view thereof;  
FIG. 5 is a left-side elevational view thereof;  
FIG. 6 is a right-side elevational view thereof;  
FIG. 7 is a top plan view thereof; and  
FIG. 8 is a bottom plan view thereof; and,  
FIG. 9 is an enlarged partial cross-sectional view thereof,  
taken along line A-A in FIG. 3 within the boundaries of lines  
B-B and lines C-C in FIG. 6.

(56) **References Cited**

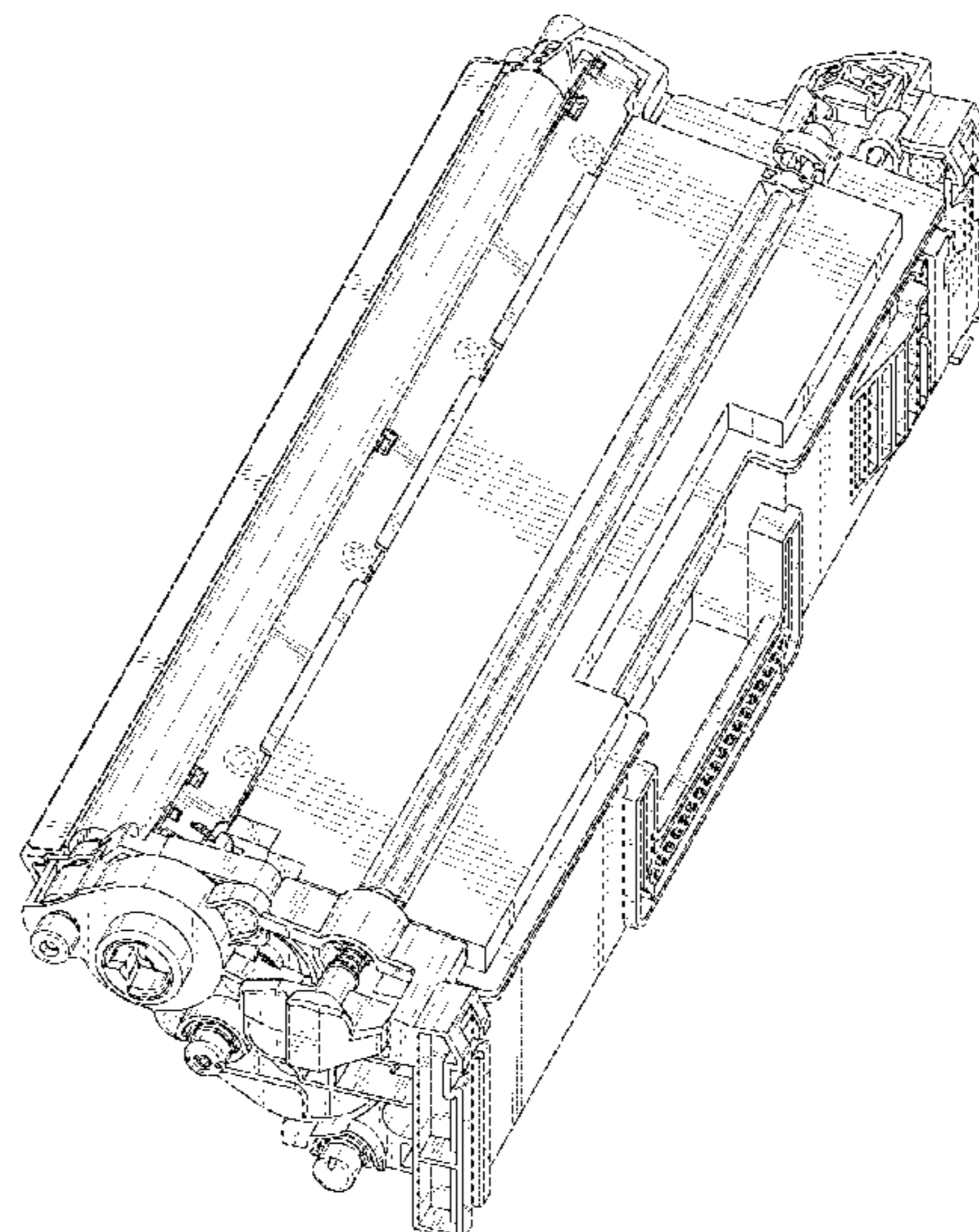
U.S. PATENT DOCUMENTS

D367,880 S \* 3/1996 Miyamoto ..... D18/43  
D422,626 S \* 4/2000 Kurosawa ..... D18/43  
D458,300 S \* 6/2002 Kwon ..... D18/43  
D464,370 S \* 10/2002 Kunihiro ..... D18/43  
D566,754 S \* 4/2008 Hayashi ..... D18/43  
D653,283 S \* 1/2012 Eto ..... D18/43

The evenly spaced broken lines depict unclaimed parts of the toner cartridge and form no part of the claimed design. The dot-dash chain lines in FIG. 9 depict a boundary of the enlarged partial cross-sectional view along lines B-B and lines C-C in FIG. 6, and form no part of the claimed design. The broken line cross-hatching in FIG. 9 merely indicates the presence of a material that is sectioned along line A-A and forms no part of the claimed design.

(Continued)

**1 Claim, 9 Drawing Sheets**



(56)

**References Cited**

## U.S. PATENT DOCUMENTS

D765,164 S \* 8/2016 Park ..... D18/43  
D796,573 S \* 9/2017 Li ..... D18/43  
10,025,264 B1 \* 7/2018 Itabashi ..... G03G 21/1652  
D845,384 S \* 4/2019 Oguma ..... D18/43  
D934,339 S \* 10/2021 Amann ..... D18/43  
2014/0003836 A1 \* 1/2014 Burchette ..... G03G 21/12  
399/109  
2015/0139694 A1 \* 5/2015 Shimizu ..... G03G 21/1853  
399/119  
2018/0004123 A1 \* 1/2018 Itabashi ..... G03G 21/1821  
2018/0011423 A1 \* 1/2018 Itabashi ..... G03G 15/0889  
2018/0181022 A1 \* 6/2018 Itabashi ..... G03G 21/1814  
2018/0203408 A1 \* 7/2018 Itabashi ..... G03G 21/1652  
2019/0294102 A1 \* 9/2019 Shimizu ..... G03G 15/0896  
2020/0310291 A1 \* 10/2020 Itabashi ..... G03G 15/0808  
2020/0310340 A1 \* 10/2020 Itabashi ..... G03G 15/0813

## OTHER PUBLICATIONS

Brother Toner Cartridge, Amazon.com, date published Jun. 23, 2012, date  
retrieved Jul. 9, 2022—U.S. Appl. No. 29/768,278—[https://www.  
amazon.com/Brother-MFC-7840W-Toner-Cartridge-1-Pack/dp/  
B008E8S9FI](https://www.amazon.com/Brother-MFC-7840W-Toner-Cartridge-1-Pack/dp/B008E8S9FI) (Year: 2012).\*

\* cited by examiner

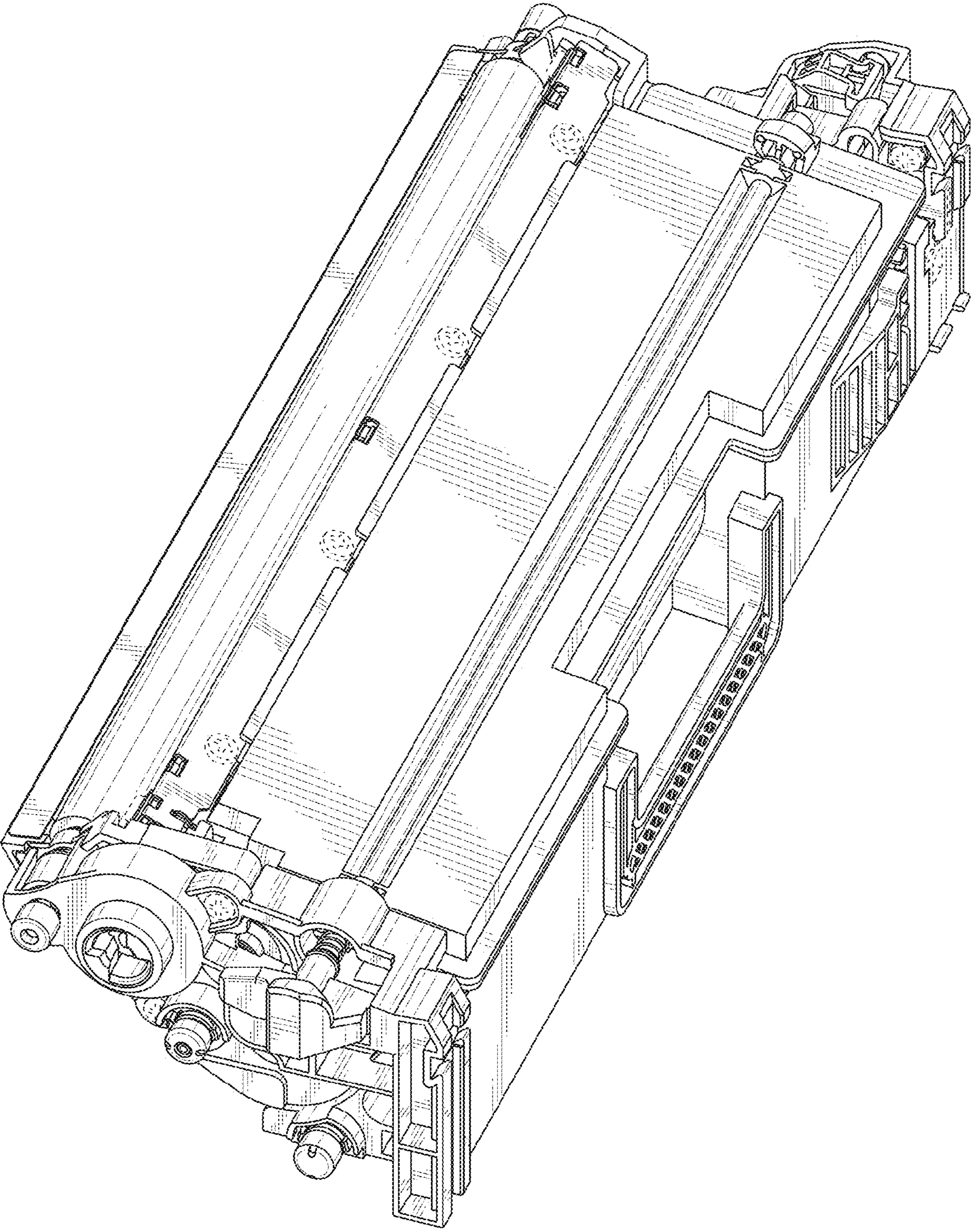


FIG. 1

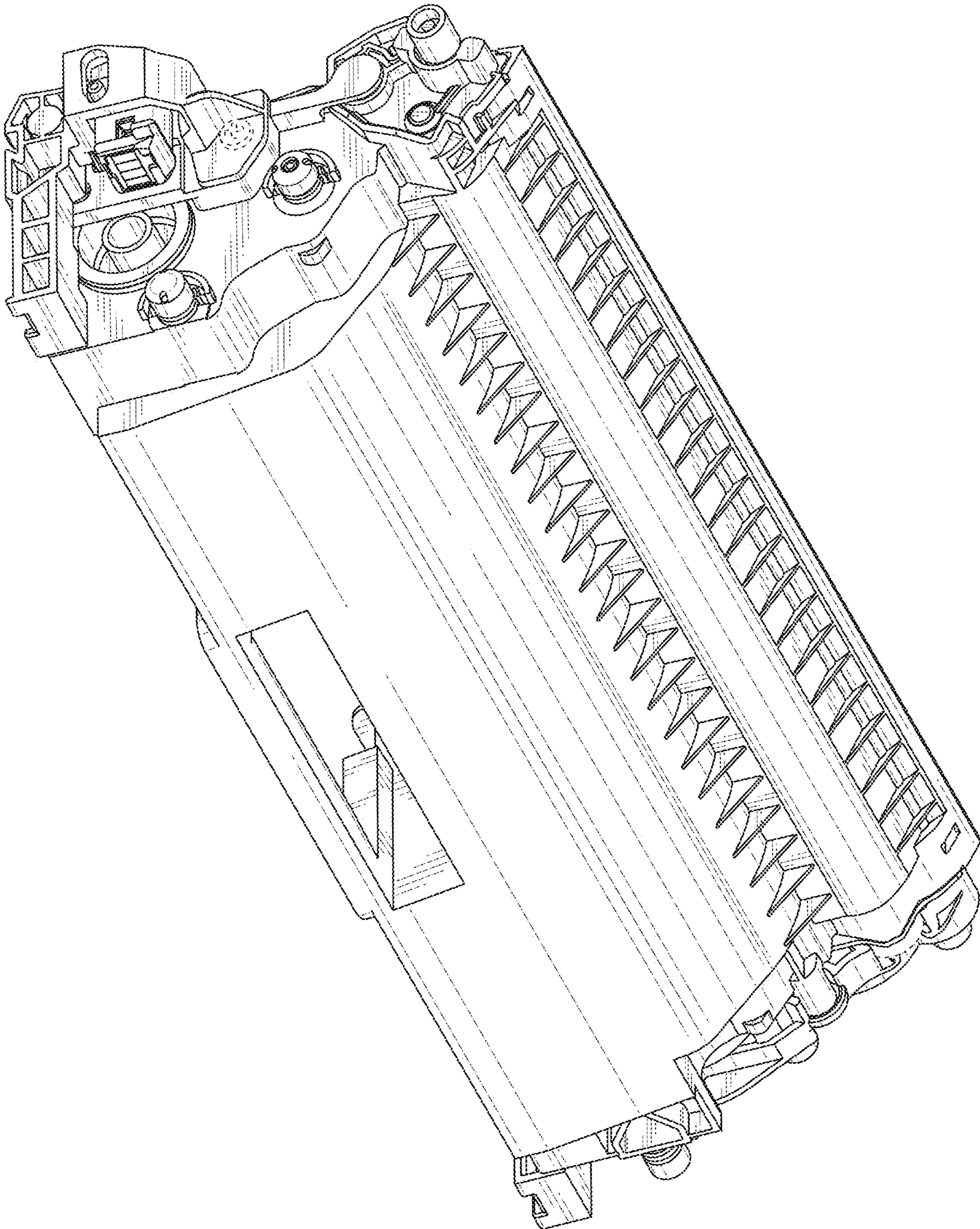


FIG. 2

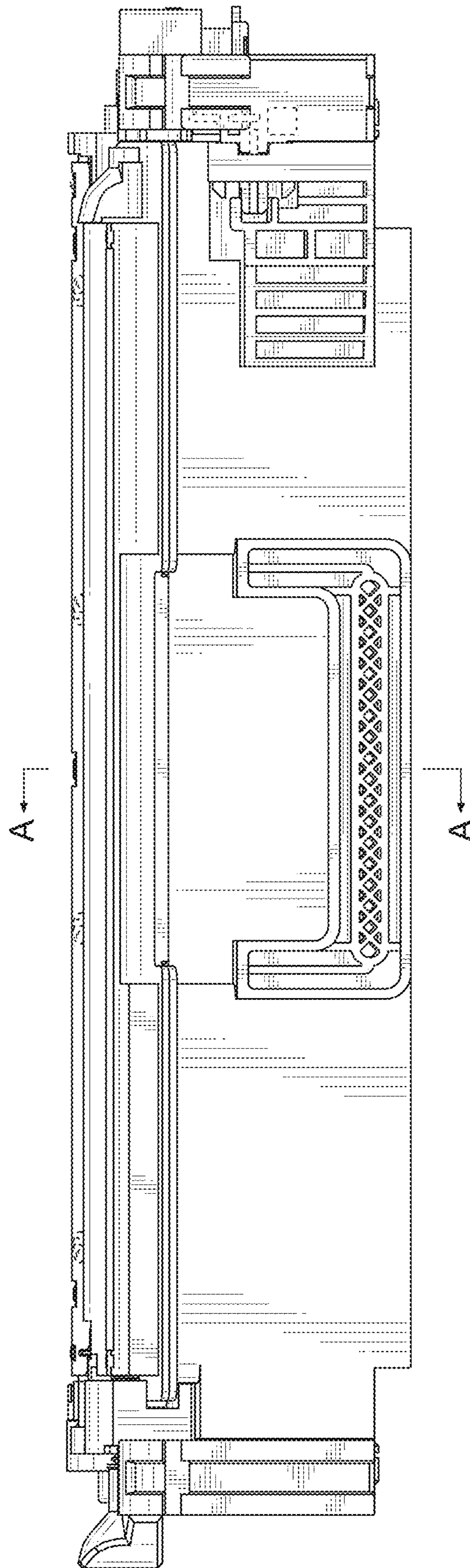


FIG. 3

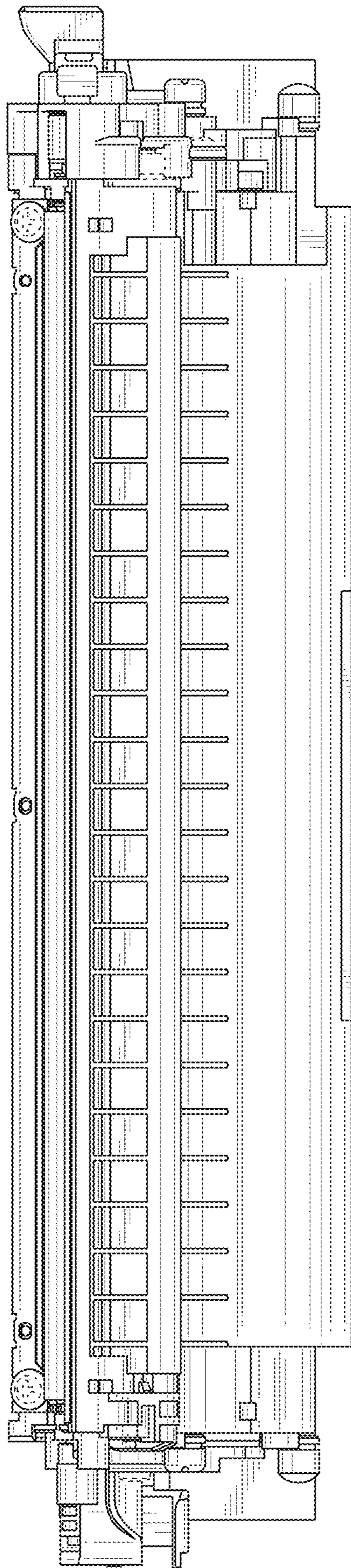


FIG. 4

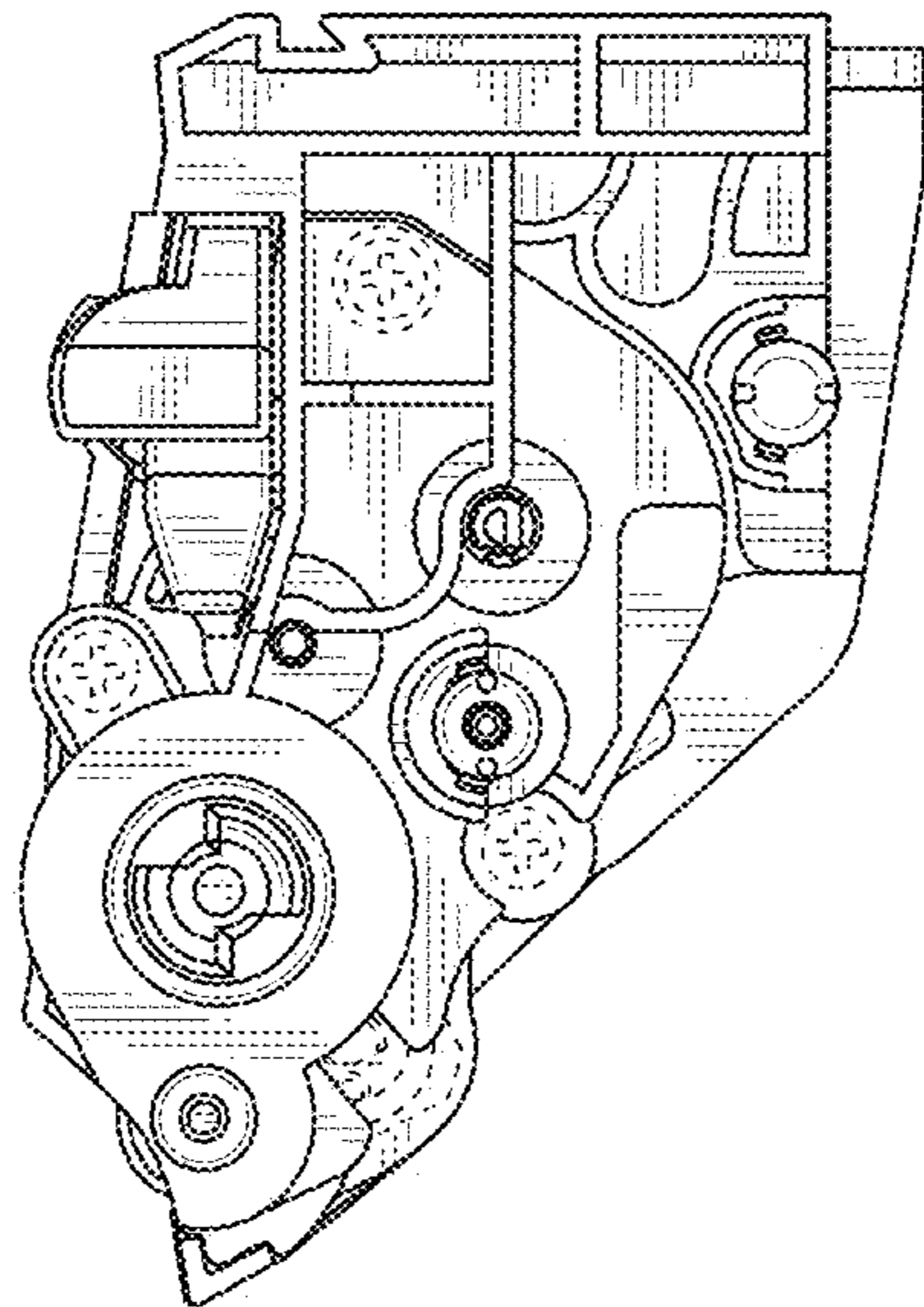


FIG. 5

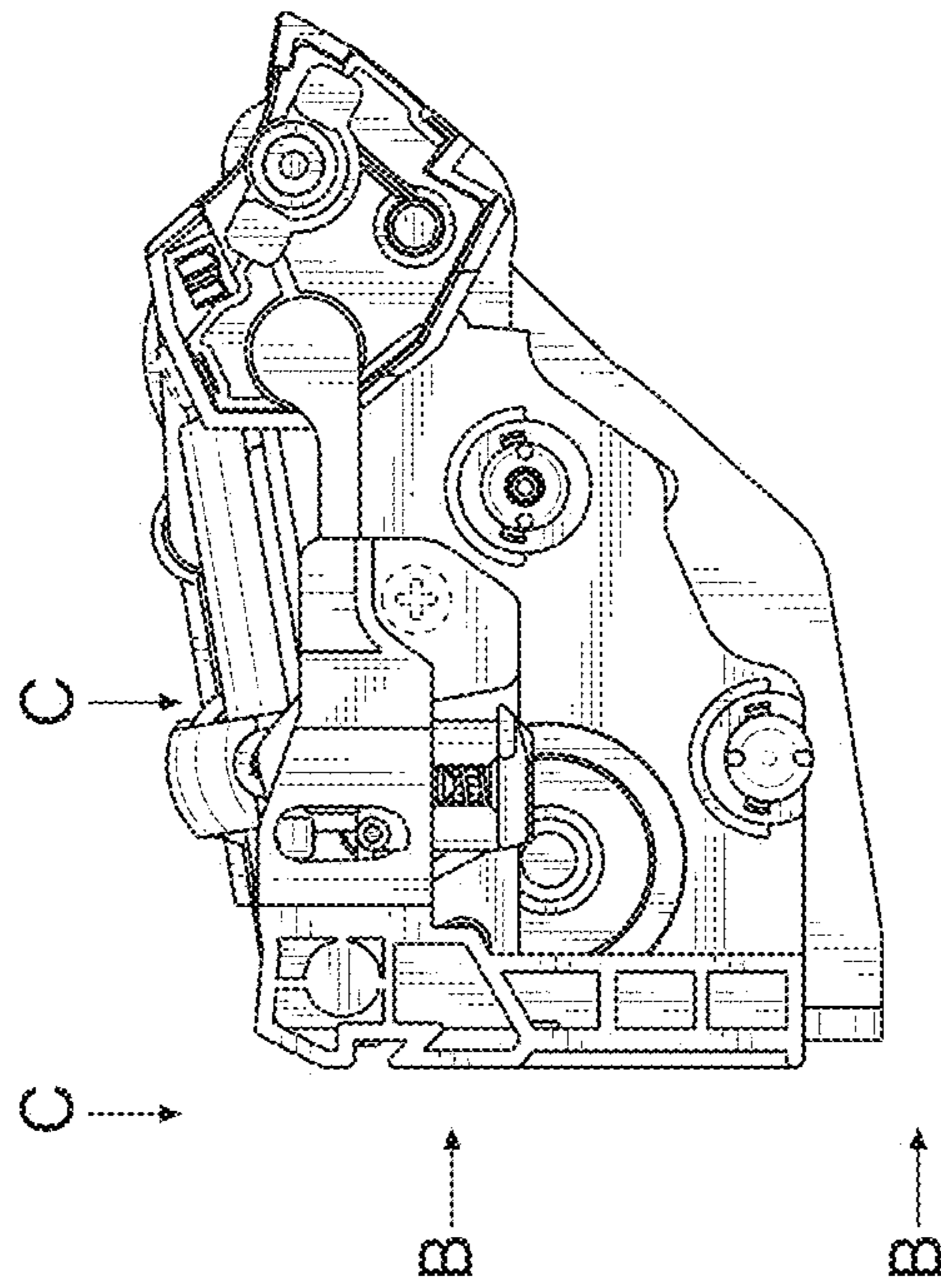


FIG. 6



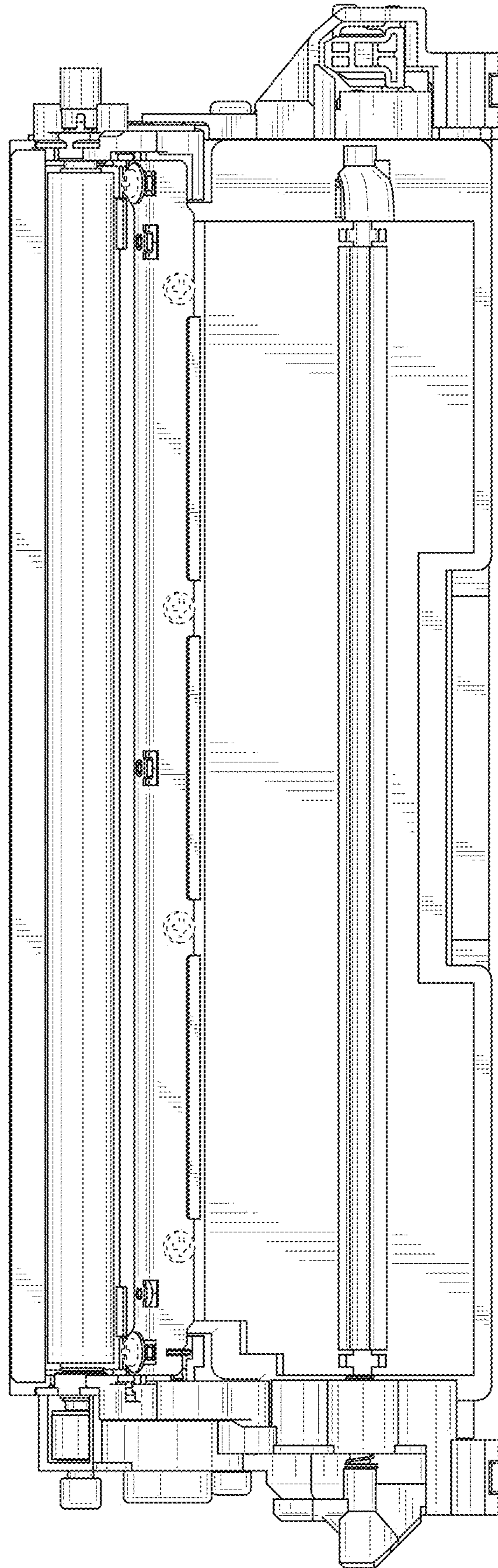


FIG. 7

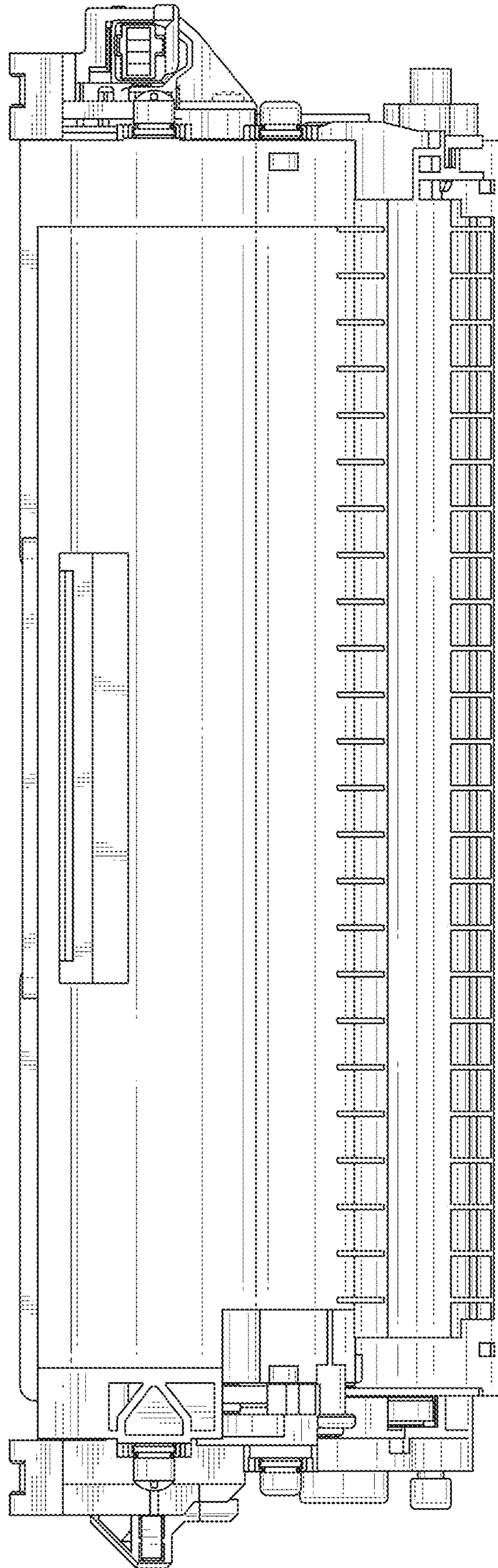


FIG. 8

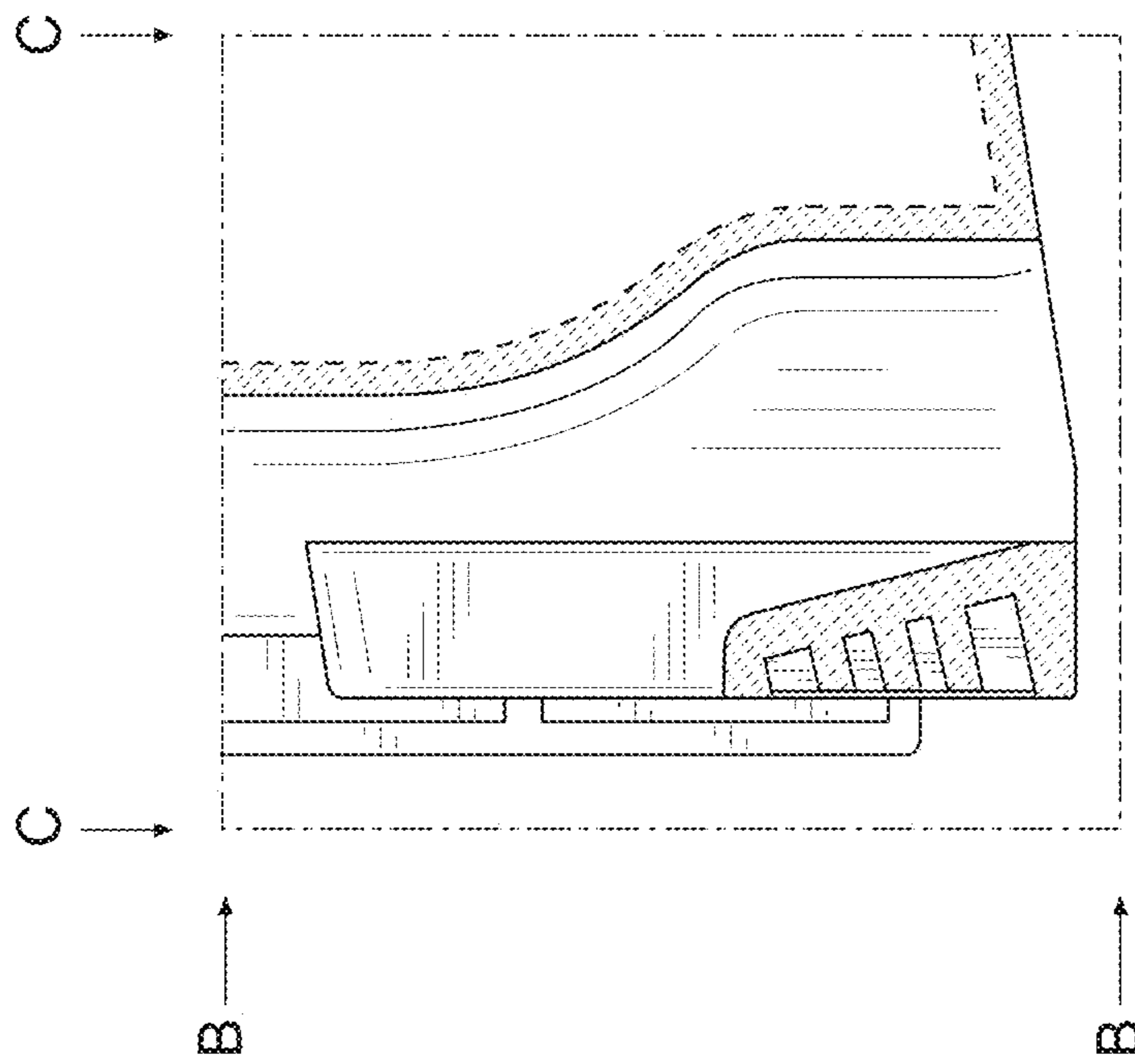


FIG. 9