



US00D989854S

(12) **United States Design Patent**
Lu

(10) **Patent No.:** **US D989,854 S**
(45) **Date of Patent:** **** Jun. 20, 2023**

(54) **GUITAR**

(71) Applicant: **Wenfeng Lu**, Weifang (CN)

(72) Inventor: **Wenfeng Lu**, Weifang (CN)

(**) Term: **15 Years**

(21) Appl. No.: **35/515,046**

(22) Filed: **Aug. 19, 2022**

(80) **Hague Agreement Data**

Int. Filing Date: **Aug. 19, 2022**

Int. Reg. No.: **DM/223004**

Int. Reg. Date: **Aug. 19, 2022**

Int. Reg. Pub. Date: **Sep. 2, 2022**

(51) **LOC (14) Cl.** **17-03**

(52) **U.S. Cl.**
USPC **D17/14**

(58) **Field of Classification Search**
USPC D17/14, 18, 19, 20, 99; D21/405
CPC .. G10D 1/00; G10D 1/05; G10D 1/08; G10D
1/085
See application file for complete search history.

(56) **References Cited**

U.S. PATENT DOCUMENTS

4,192,213 A * 3/1980 Steinberger G10D 1/085
984/107
D290,130 S * 6/1987 Steinberger D17/14
D290,131 S * 6/1987 Steinberger D17/14
D293,331 S * 12/1987 Erlewine D17/14

D305,546 S * 1/1990 Roberts D17/14
D351,181 S * 10/1994 Whiteside D17/14
D778,348 S * 2/2017 Hildebrandt D17/14
D883,372 S * 5/2020 Steinberger D17/14

OTHER PUBLICATIONS

Amazon.com. https://www.amazon.com/TSTS-Semi-Finished-Headless-Fingerboard-Unfinished/dp/B0C22RW6MS/ref=sr_1_107?crd=393Y45XIB91LS&keywords=guitar+body&qid=1682211876&srefix=guitar+body%2Caps%2C102&sr=8-107. "TSTS 41 Inches Semi-Finished Headless Electric Bass . . . ". Date Unknown: Viewed Apr. 2022 (Year: 2022).*

* cited by examiner

Primary Examiner — R. Johnson

(57) **CLAIM**

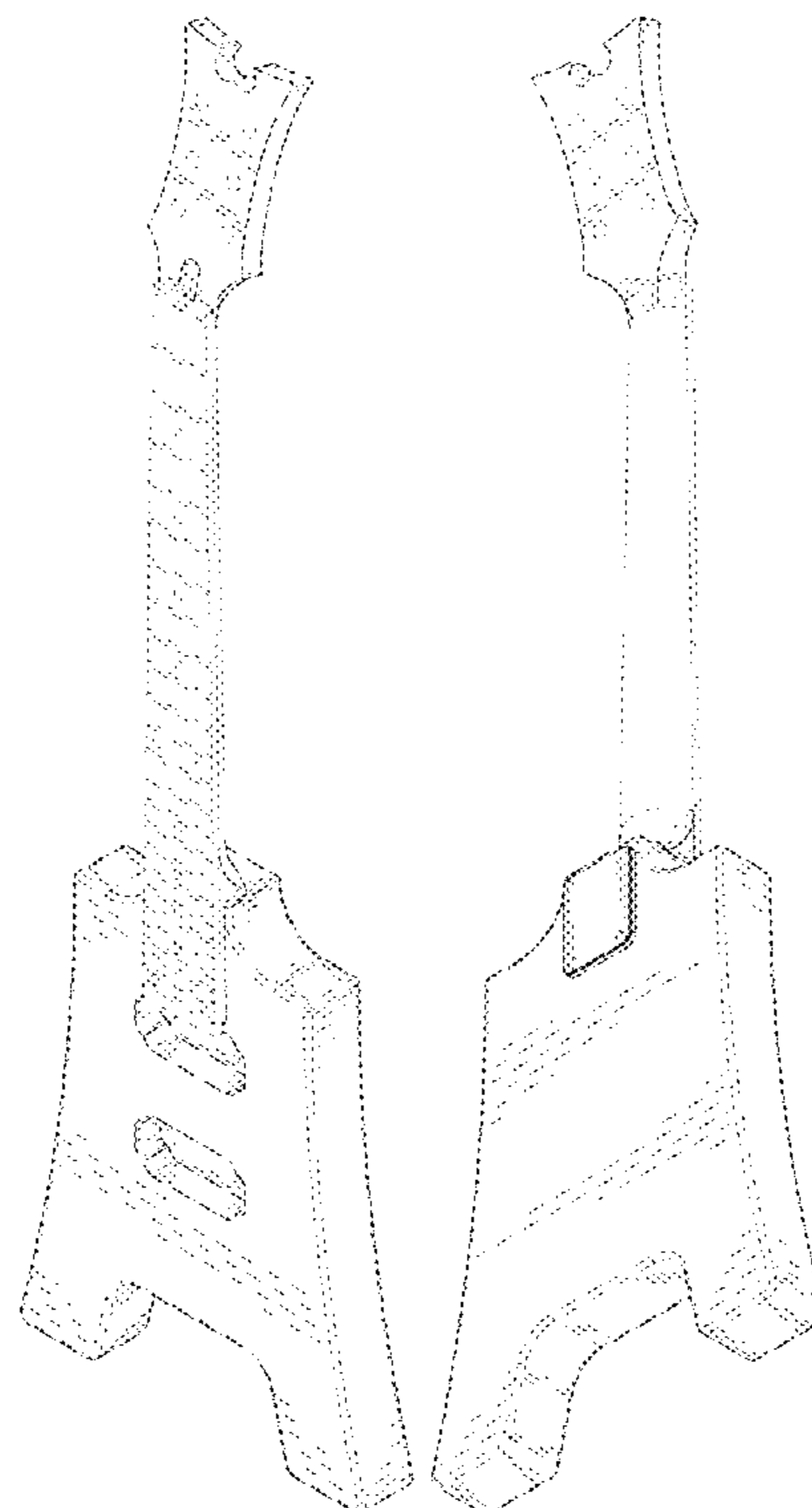
The ornamental design for a guitar, as shown and described.

DESCRIPTION

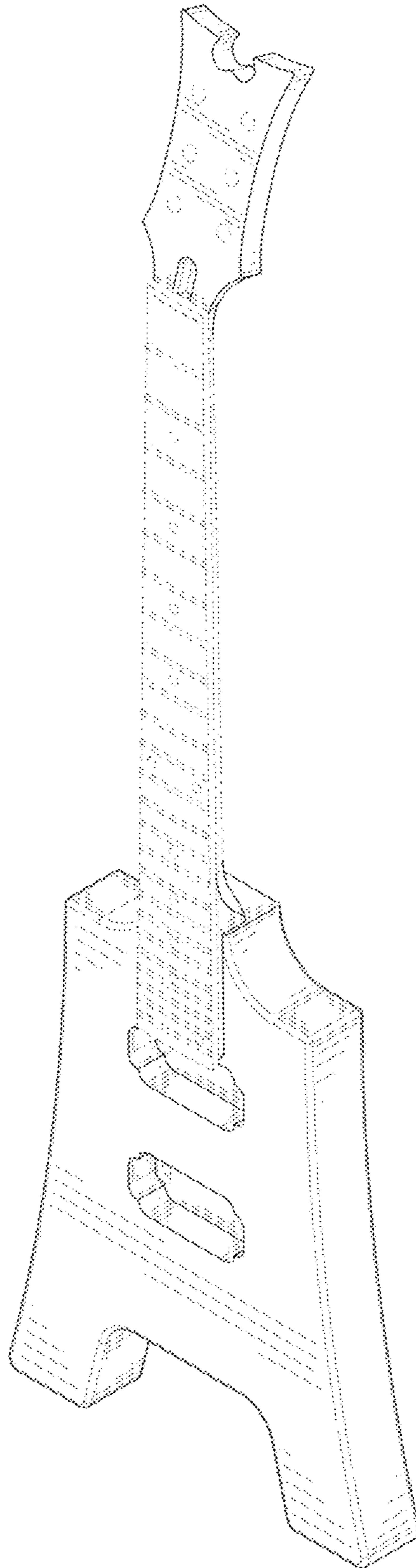
- 1. Guitar
- 1.1 : Perspective
- 1.2 : Perspective
- 1.3 : Front
- 1.4 : Back
- 1.5 : Left
- 1.6 : Right
- 1.7 : Top
- 1.8 : Bottom

The parts shown by means of broken lines in the reproductions are not part of the claimed design.

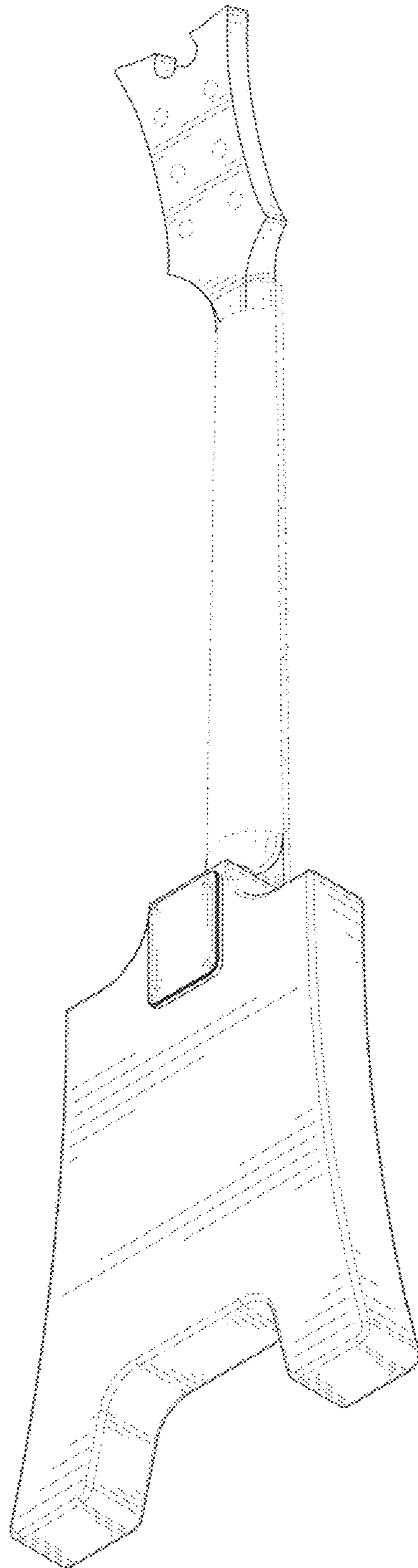
1 Claim, 8 Drawing Sheets



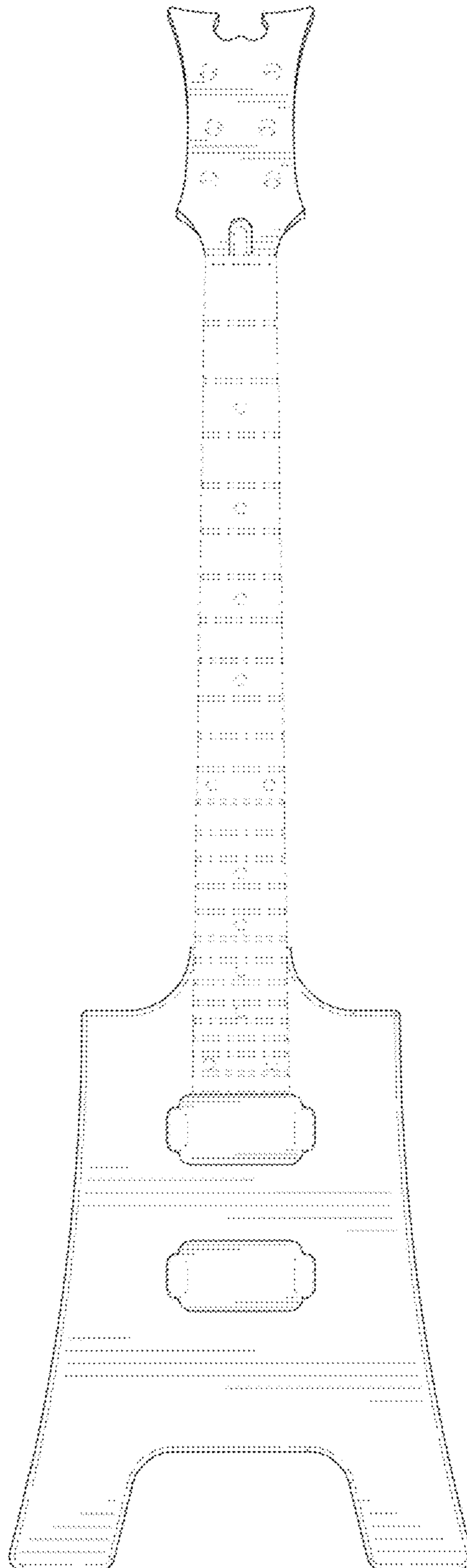
1.1



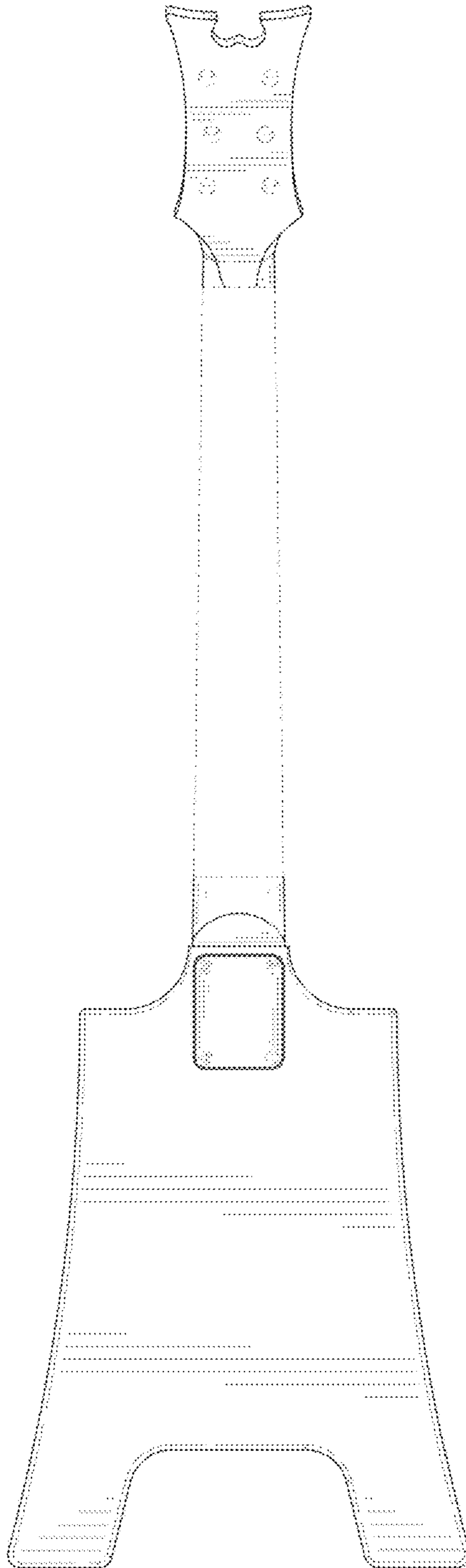
1.2



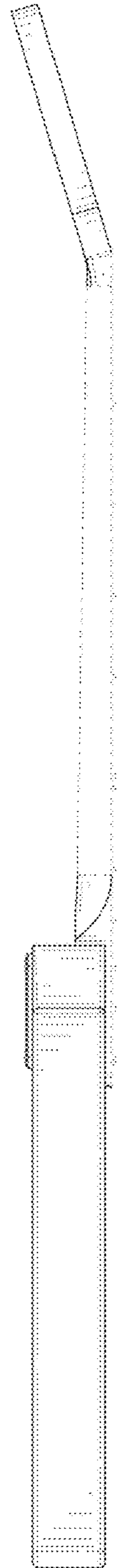
1.3



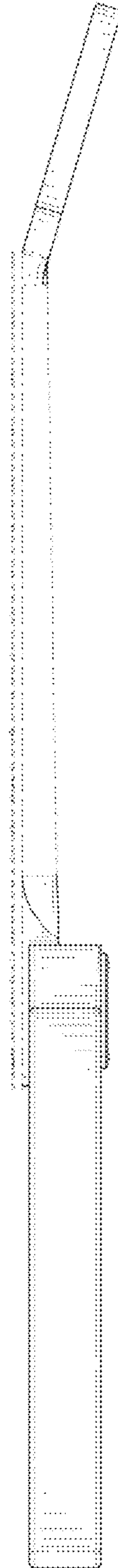
1.4



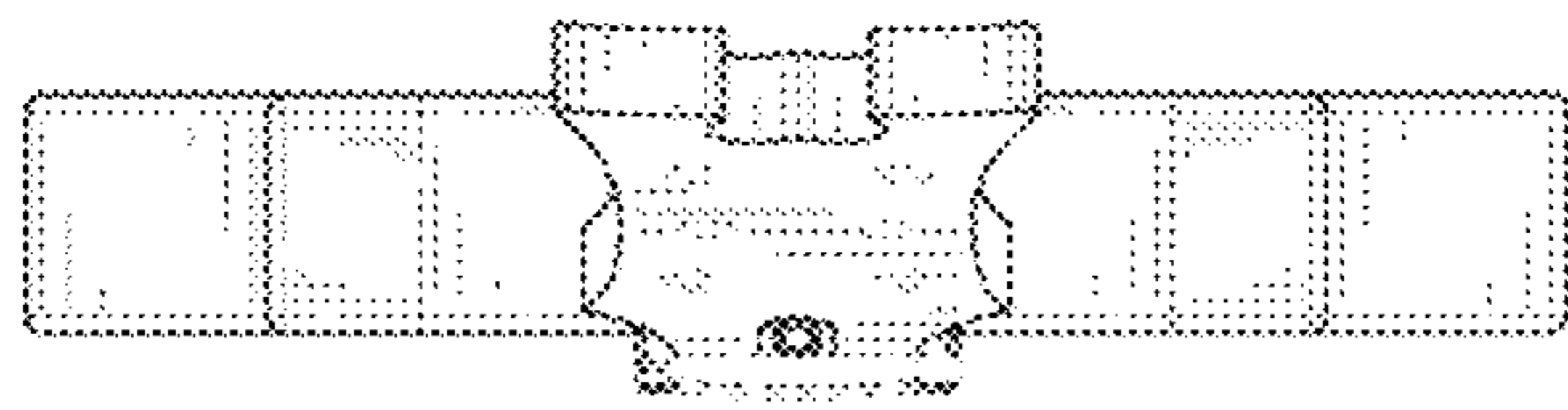
1.5



1.6



1.7



1.8

