



US00D989851S

(12) **United States Design Patent**  
**Chen et al.**

(10) **Patent No.:** **US D989,851 S**  
(45) **Date of Patent:** **\*\* Jun. 20, 2023**

- (54) **AUGMENTED REALITY SMART SPECTACLES**
- (71) Applicant: **Quanta Computer Inc.**, Taoyuan (TW)
- (72) Inventors: **Hsiu-Wen Chen**, Taoyuan (TW);  
**Gwo-Chyuan Chen**, Taoyuan (TW);  
**Shih Yun Lee**, Taoyuan (TW)
- (73) Assignee: **QUANTA COMPUTER INC.**,  
Taoyuan (TW)
- (\*\*) Term: **15 Years**
- (21) Appl. No.: **29/786,909**
- (22) Filed: **Jun. 3, 2021**
- (30) **Foreign Application Priority Data**

- Mar. 18, 2021 (TW) ..... 110301339
- (51) **LOC (14) Cl.** ..... **16-06**
- (52) **U.S. Cl.**  
USPC ..... **D16/309; D14/372**
- (58) **Field of Classification Search**  
USPC ..... D16/101, 300, 309, 313–315, 306,  
D16/316–330, 332–335; D14/372  
CPC ... G02C 1/06; G02C 1/00; G02C 5/06; G02C  
5/20; G02C 5/122; G02C 5/008; G02C  
5/14; G02C 5/126; G02C 5/143; G02C  
5/16; G02C 2200/08  
See application file for complete search history.

(56) **References Cited**  
U.S. PATENT DOCUMENTS

6,076,927	A *	6/2000	Owens	.....	G02C 5/10 351/41
D606,578	S *	12/2009	Markovitz	.....	D16/326
D664,183	S *	7/2012	Stepan	.....	D16/326
D719,570	S *	12/2014	Heinrich	.....	D14/372
D786,958	S *	5/2017	Grasset	.....	D16/326

D795,948	S *	8/2017	Rhea	.....	D16/300
D816,761	S *	5/2018	Lalush	.....	D16/326
D855,691	S *	8/2019	Stipancik	.....	D16/334
D870,190	S *	12/2019	Lebel	.....	D16/300
D877,237	S *	3/2020	Bhatia	.....	D16/335
D899,493	S *	10/2020	Cohen	.....	D16/309
D900,920	S *	11/2020	Cohen	.....	D16/309
10,826,163	B2 *	11/2020	Moore	.....	H01Q 9/42
D906,404	S *	12/2020	Bhatia	.....	D16/326
D930,738	S *	9/2021	Ni	.....	D16/326
D936,131	S *	11/2021	Su	.....	D16/309
11,262,595	B2 *	3/2022	Chen	.....	G02C 5/22
D961,654	S *	8/2022	Vollmer	.....	D16/300
D961,662	S *	8/2022	Trauth	.....	D16/326
D961,663	S *	8/2022	Trauth	.....	D16/326
D972,004	S *	12/2022	Porter	.....	D16/329
2019/0198981	A1 *	6/2019	Moore	.....	G02C 11/10

(Continued)

**FOREIGN PATENT DOCUMENTS**

TW 215792-0001 \* 12/2021

*Primary Examiner* — Maria J. Edwards  
*Assistant Examiner* — Dina Michelle Hoeynck  
(74) *Attorney, Agent, or Firm* — McClure, Qualey & Rodack, LLP

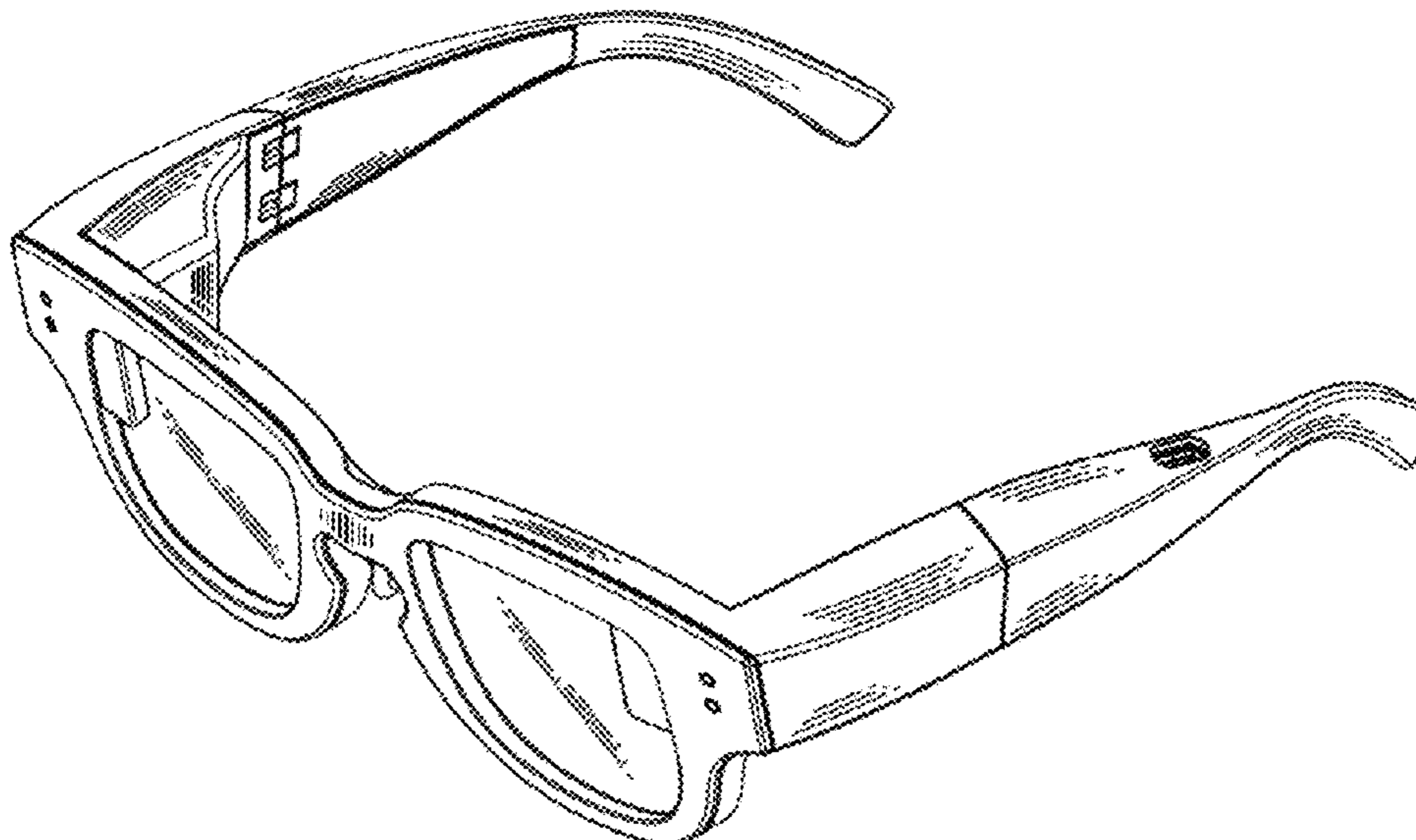
(57) **CLAIM**

The ornamental design for augmented reality smart spectacles, as shown and described.

**DESCRIPTION**

FIG. 1 is a front perspective view of augmented reality smart spectacles in accordance with our new and ornamental design;  
FIG. 2 is a front view thereof;  
FIG. 3 is a rear view thereof;  
FIG. 4 is a left side view thereof;  
FIG. 5 is a right side view thereof;  
FIG. 6 is a top plan view thereof; and,  
FIG. 7 is a bottom plan view thereof.

**1 Claim, 5 Drawing Sheets**



(56)

**References Cited**

U.S. PATENT DOCUMENTS

2019/0198982 A1\* 6/2019 Moore ..... H01Q 1/273  
2020/0400968 A1\* 12/2020 Ryan ..... G02C 5/146  
2021/0333560 A1\* 10/2021 Hwang ..... G02B 27/0176  
2022/0100006 A1\* 3/2022 Borsoi ..... G02C 5/22

\* cited by examiner

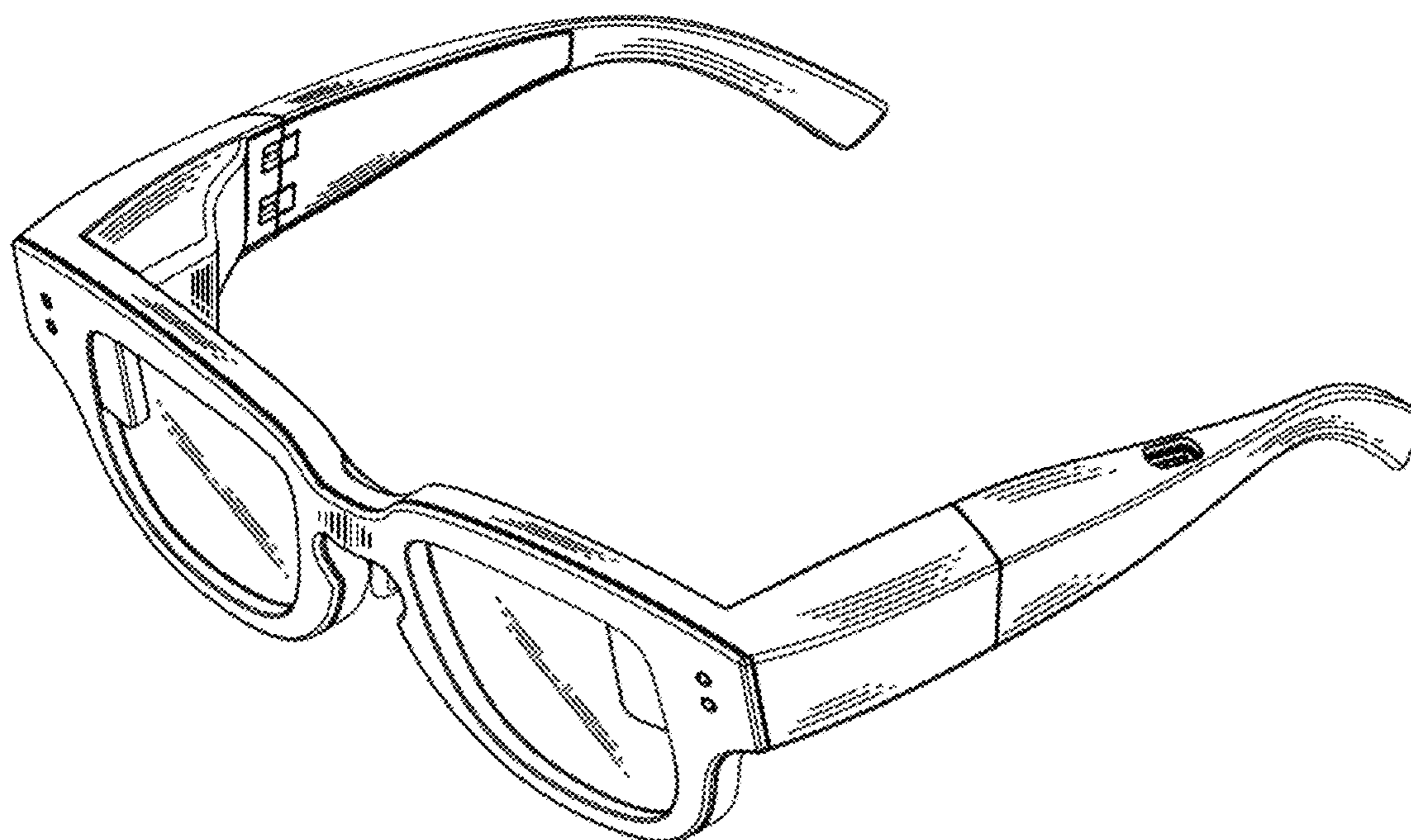


FIG. 1

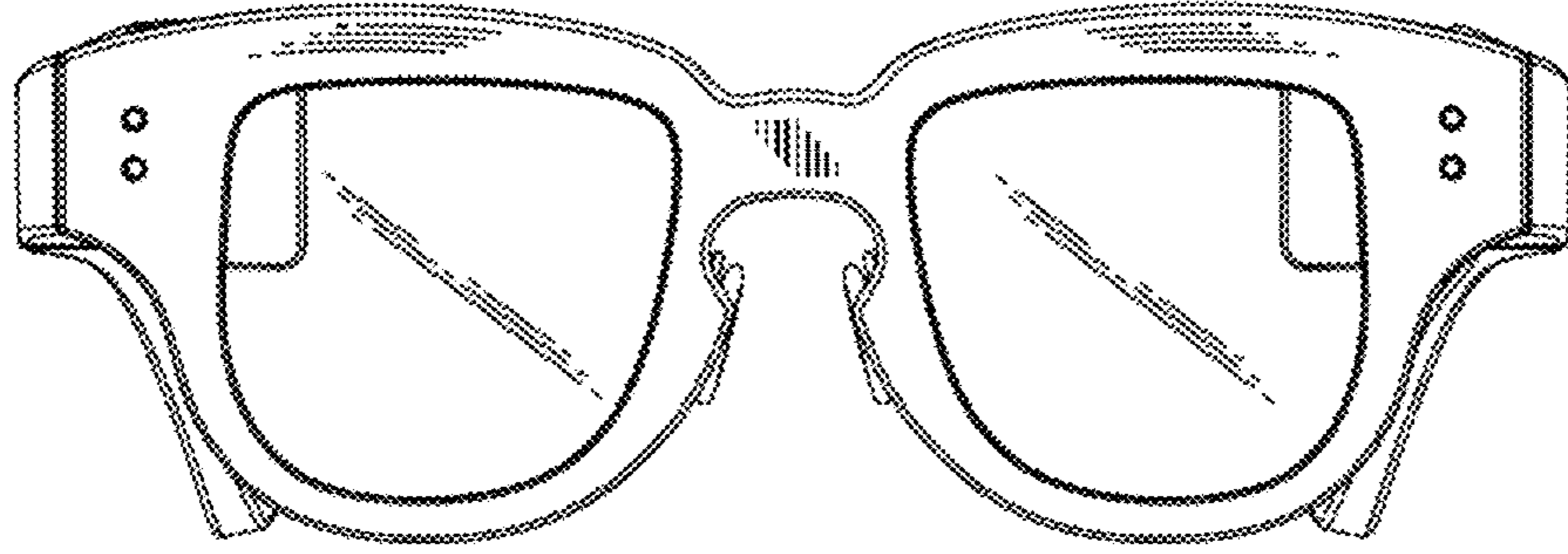


FIG. 2

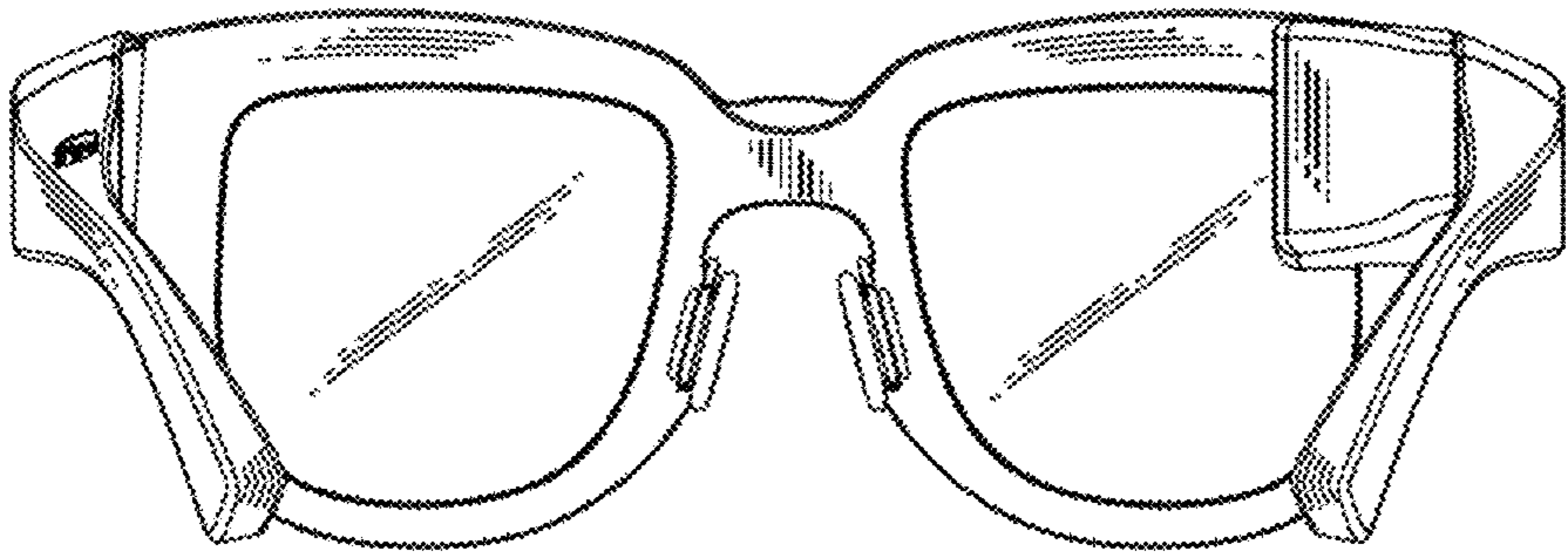


FIG. 3

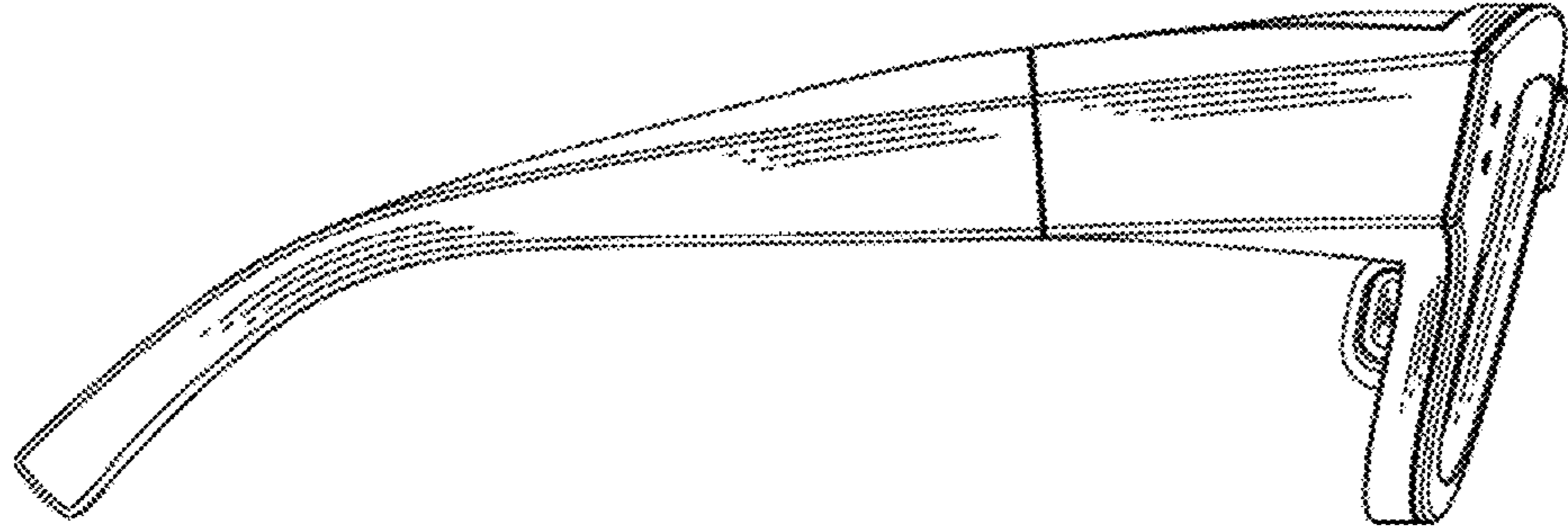


FIG. 4

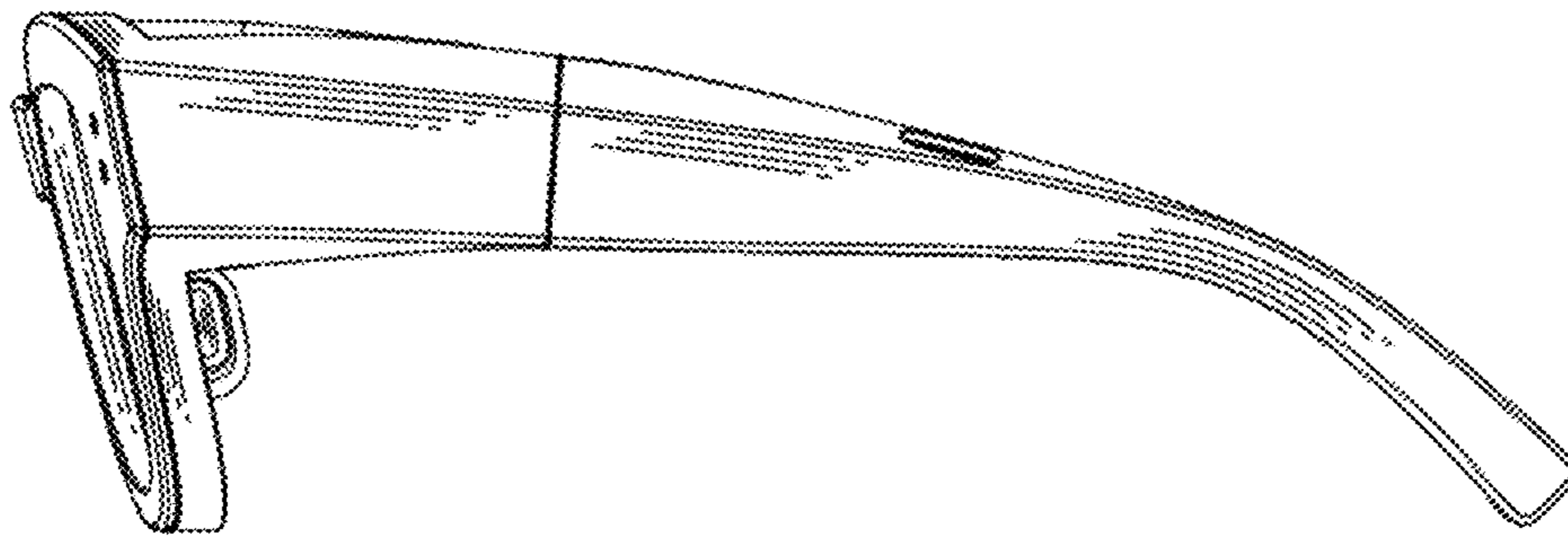


FIG. 5

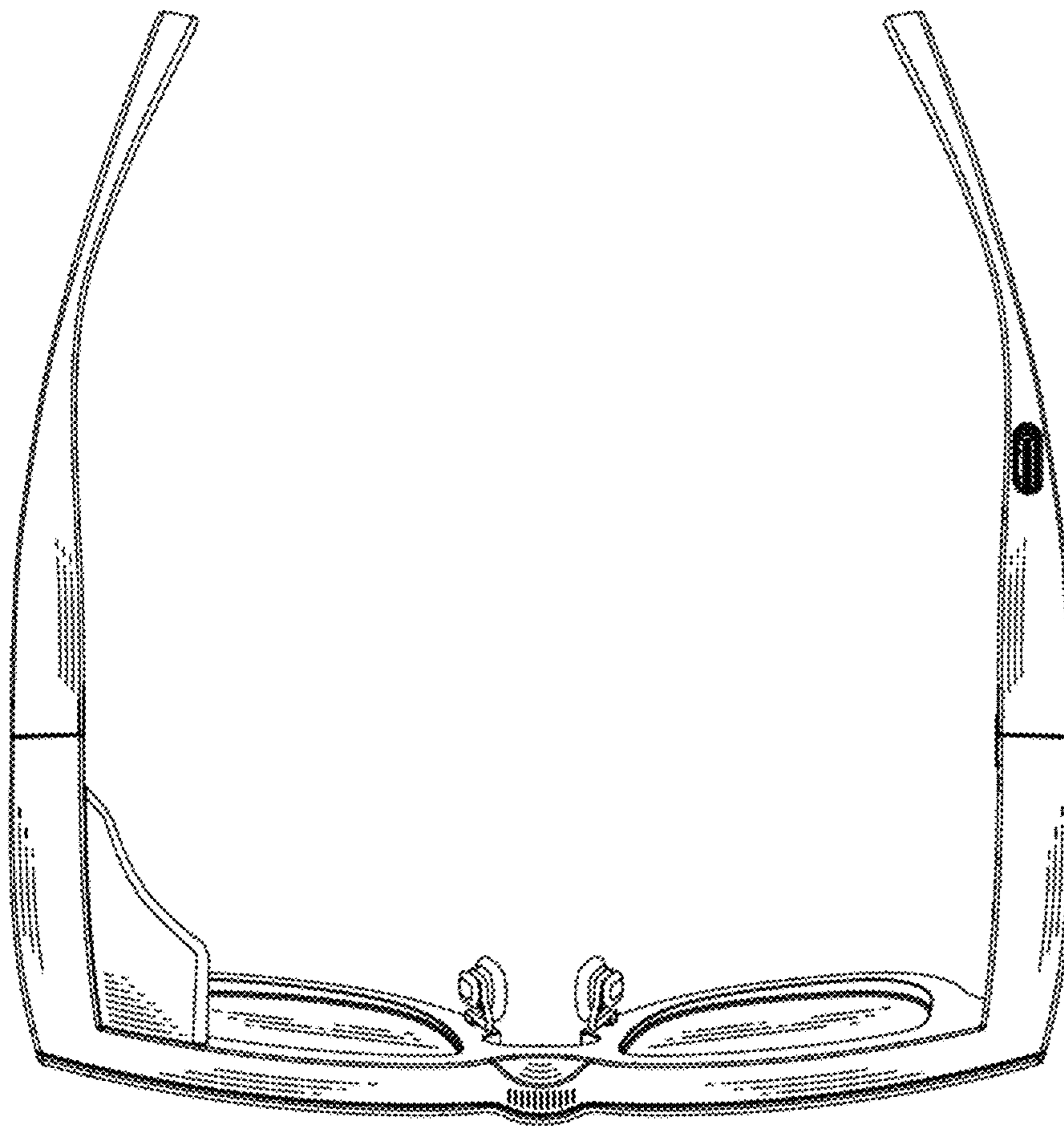


FIG. 6

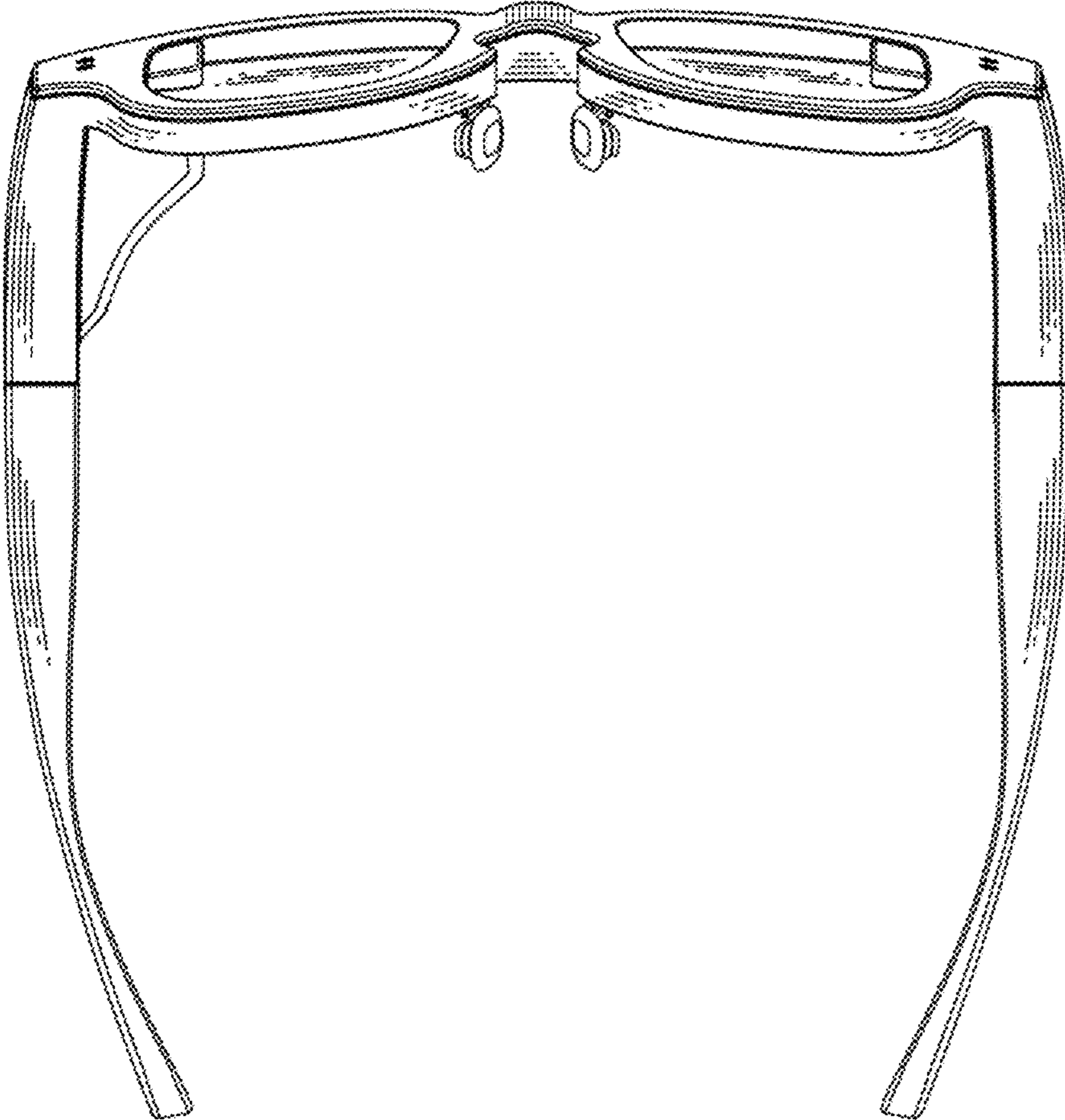


FIG. 7