



US00D989845S

(12) **United States Design Patent**  
**Gao**

(10) **Patent No.:** **US D989,845 S**  
(45) **Date of Patent:** **\*\* Jun. 20, 2023**

(54) **PROJECTOR**

(71) Applicant: **SHENZHEN AOKANG TECHNOLOGY CO., LTD.**, Shenzhen (CN)

(72) Inventor: **Hongbing Gao**, Shenzhen (CN)

(73) Assignee: **SHENZHEN AOKANG TECHNOLOGY CO., LTD.**, Shenzhen (CN)

(\*\*) Term: **15 Years**

(21) Appl. No.: **29/806,672**

(22) Filed: **Sep. 5, 2021**

(30) **Foreign Application Priority Data**

Aug. 23, 2021 (CN) ..... 202130550825.1

(51) **LOC (14) Cl.** ..... **16-02**

(52) **U.S. Cl.**  
USPC ..... **D16/230**

(58) **Field of Classification Search**  
USPC ..... D16/221, 230, 231, 225, 234; D21/514  
CPC ..... G03B 21/00; G03B 21/14; G03B 21/145;  
G03B 21/16; G03B 21/001; G03B 21/003; G03B 21/12

See application file for complete search history.

(56) **References Cited**

**U.S. PATENT DOCUMENTS**

D522,561 S \* 6/2006 Ikeuchi ..... D16/230  
7,216,989 B2 \* 5/2007 Sakurai ..... G03B 21/16  
353/57

8,303,121 B2 \* 11/2012 Nagaharu ..... G03B 21/14  
353/15  
D817,381 S \* 5/2018 Zhong ..... D16/230  
D957,505 S \* 7/2022 Peng ..... D16/230  
D964,451 S \* 9/2022 Gao ..... D16/234

**FOREIGN PATENT DOCUMENTS**

CN 307512049 \* 4/2022

\* cited by examiner

*Primary Examiner* — Wan Laymon

(57) **CLAIM**

The ornamental design for a projector, as shown and described.

**DESCRIPTION**

FIG. 1 is a perspective view of a projector showing my new design;

FIG. 2 is another perspective view thereof;

FIG. 3 is a front elevational view thereof;

FIG. 4 is a rear elevational view thereof;

FIG. 5 is a left side elevational view thereof;

FIG. 6 is a right side elevational view thereof;

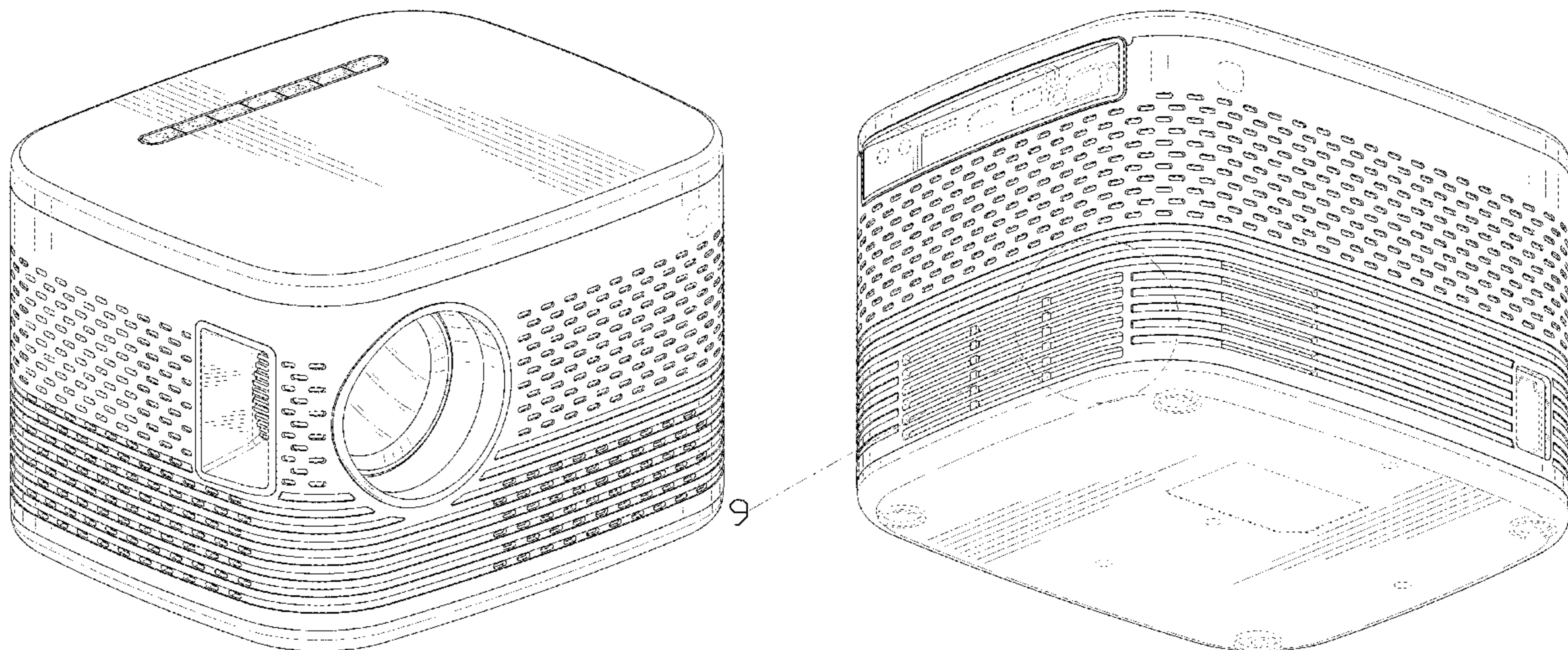
FIG. 7 is a top plan view thereof;

FIG. 8 is a bottom plan view thereof; and,

FIG. 9 is an enlarged view of the projector shown within the area designated as 9 in FIG. 2.

The broken lines in the drawings are for the purpose of illustrating portions of the projector that form no part of the claimed design. The dot-dashed broken line in FIG. 9 shows the boundary of the enlarged view and forms no part of the claimed design.

**1 Claim, 9 Drawing Sheets**



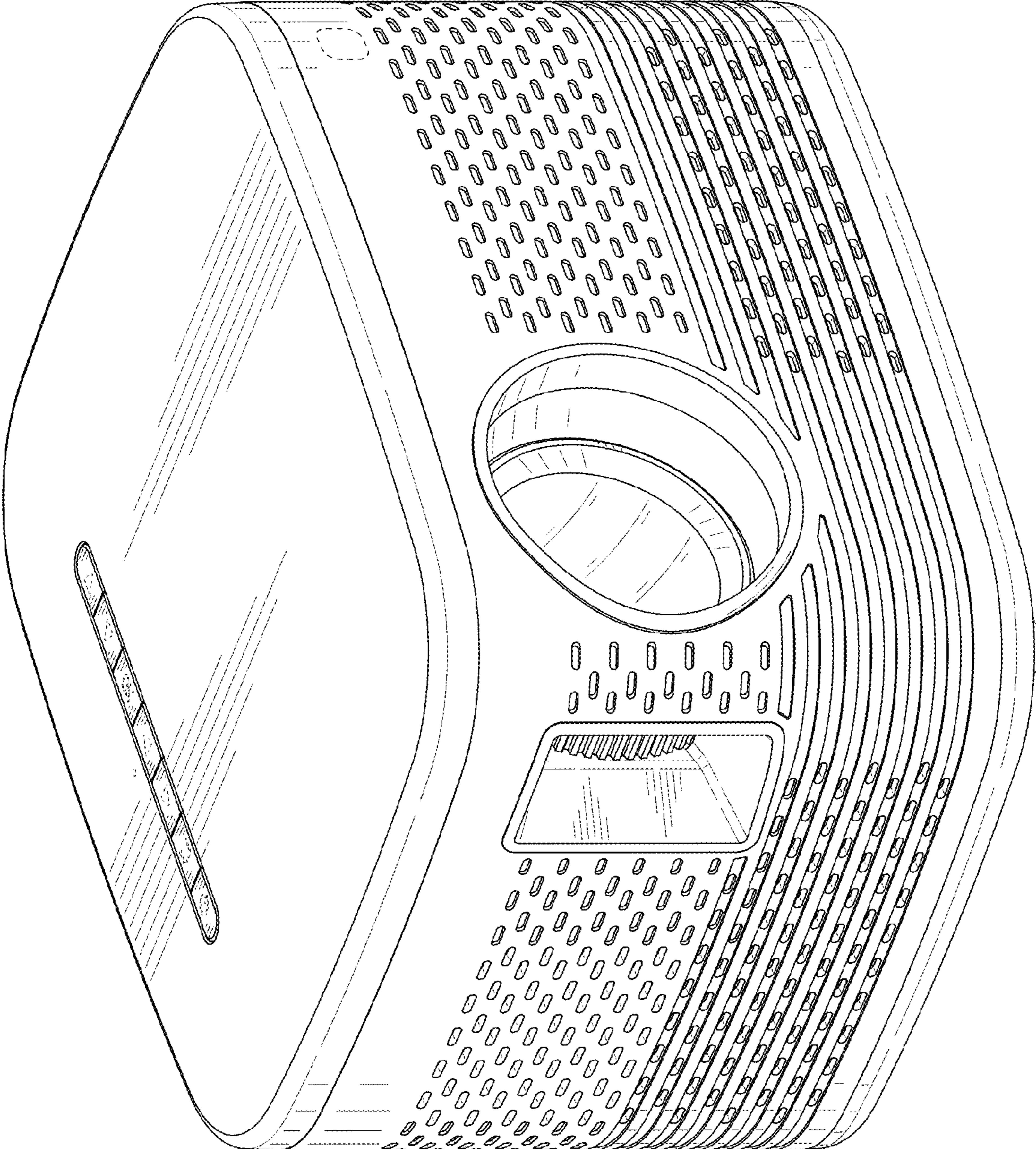


FIG. 1

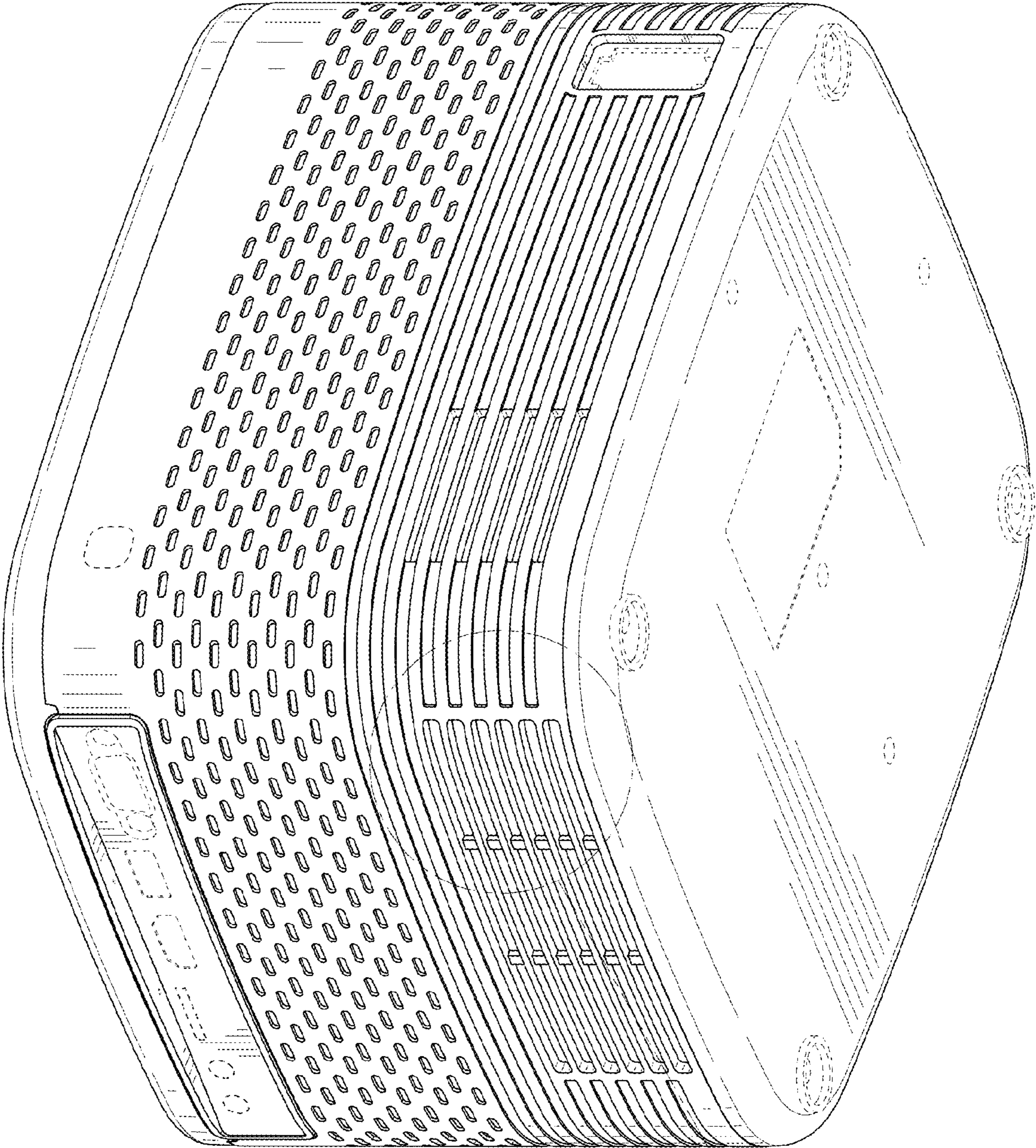


FIG. 2

6

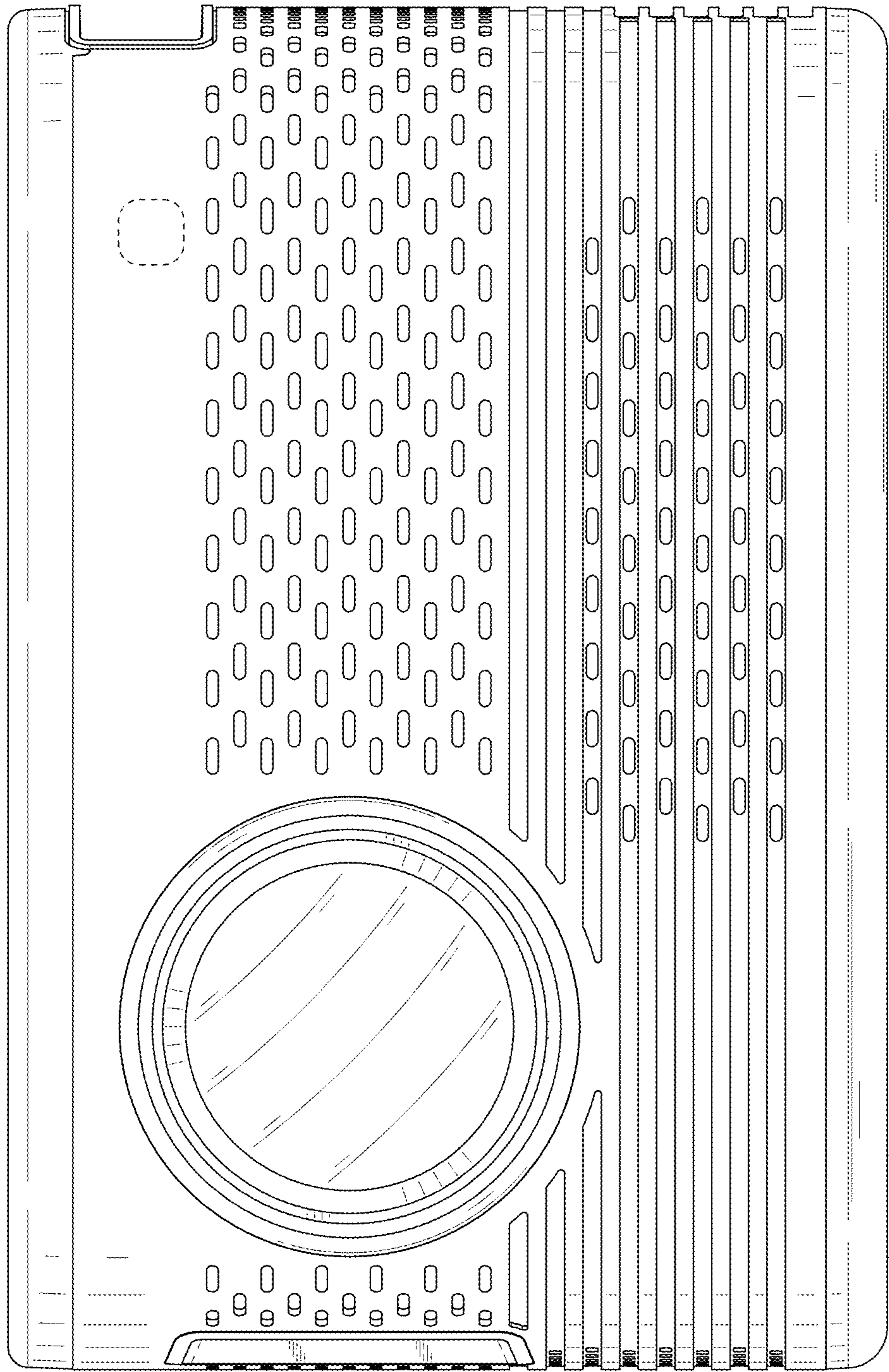


FIG. 3

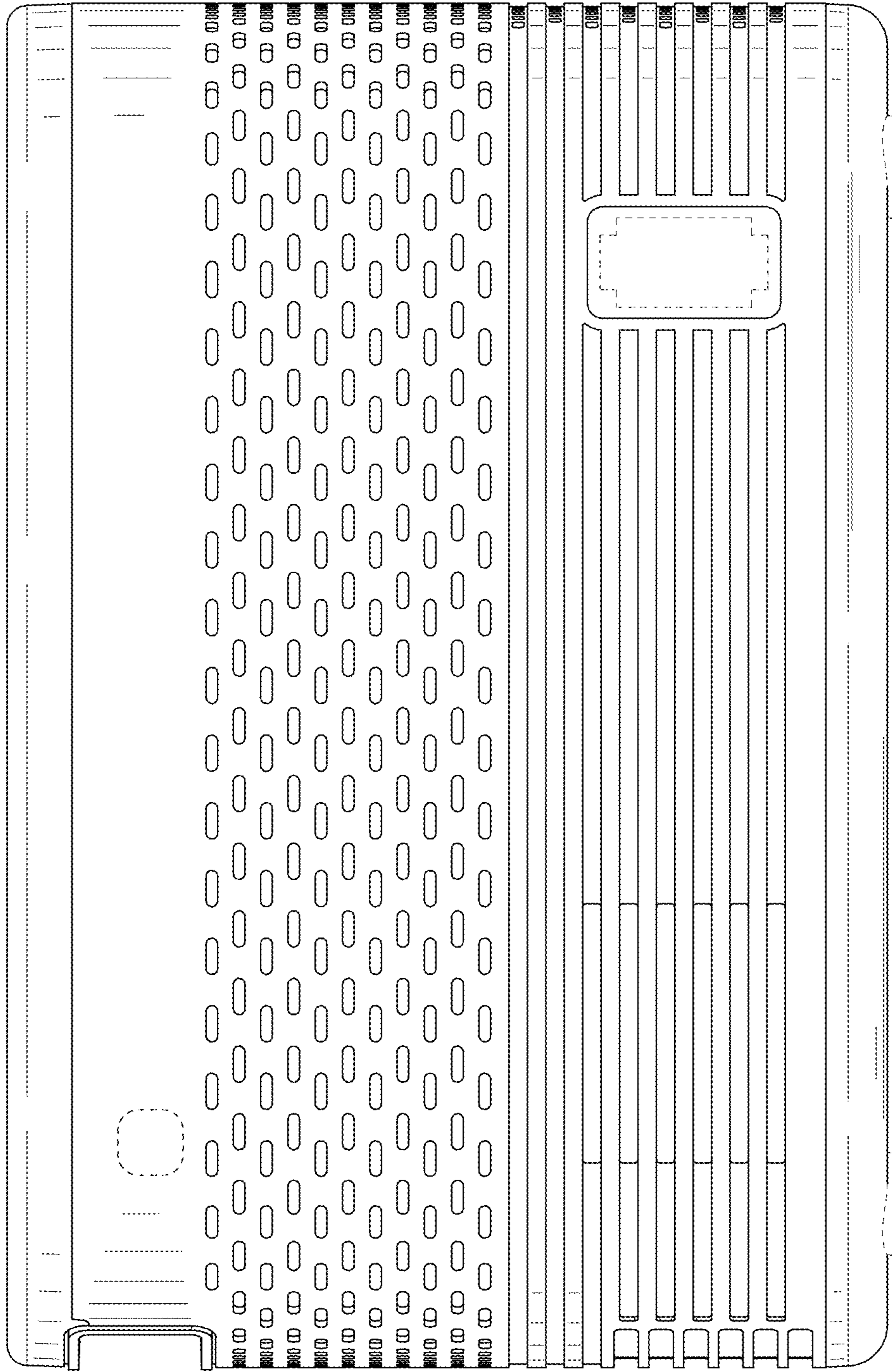


FIG. 4

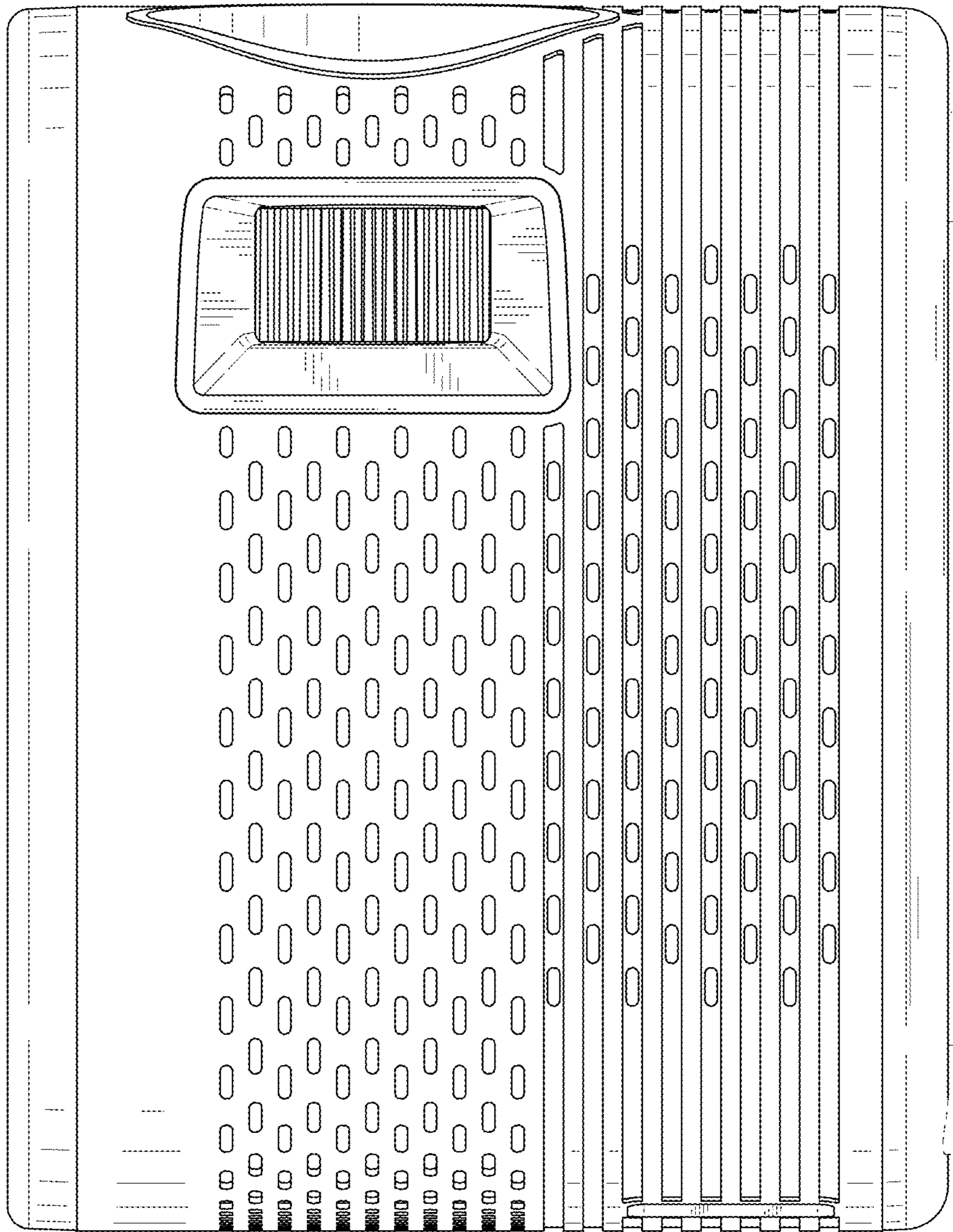


FIG. 5

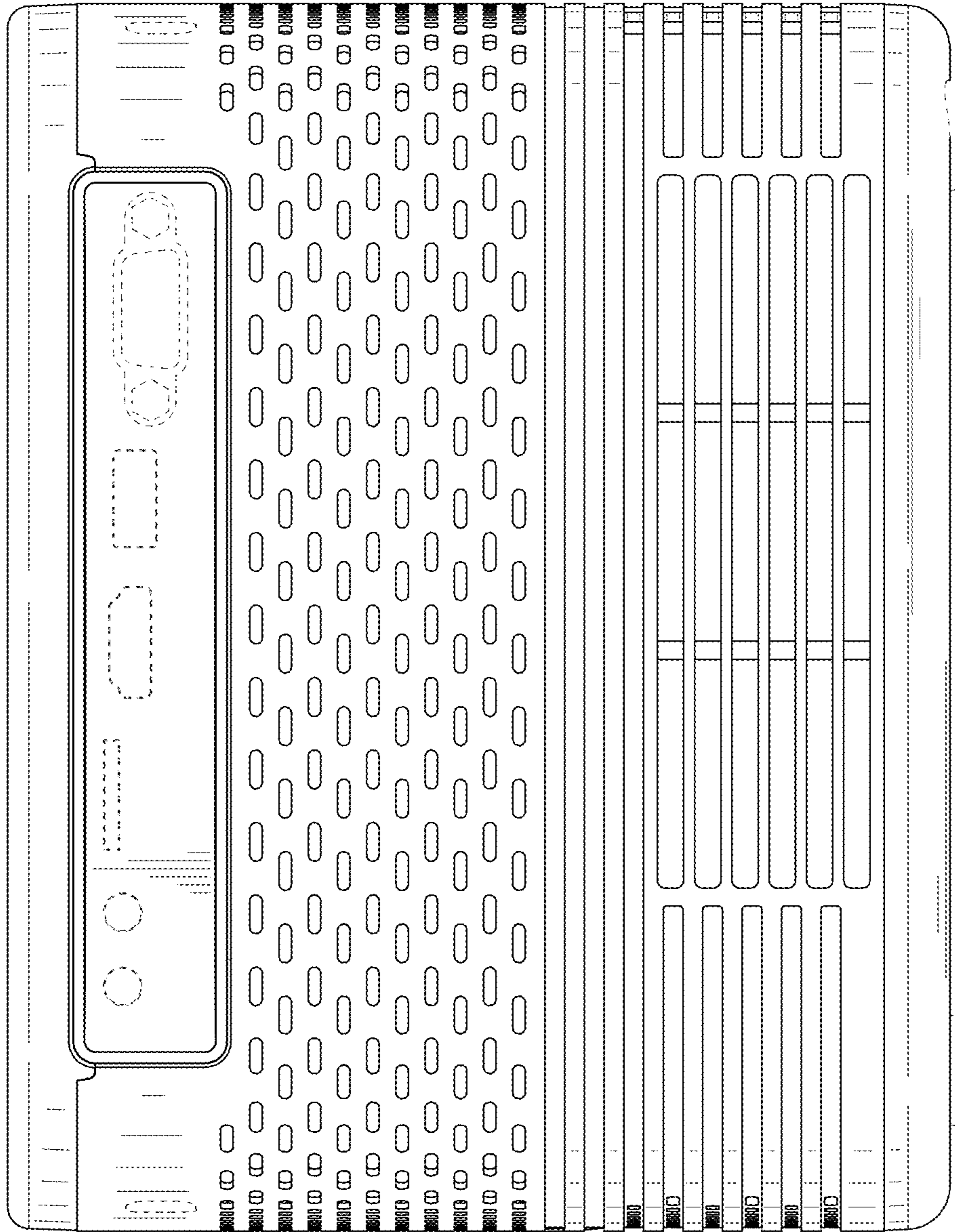


FIG. 6

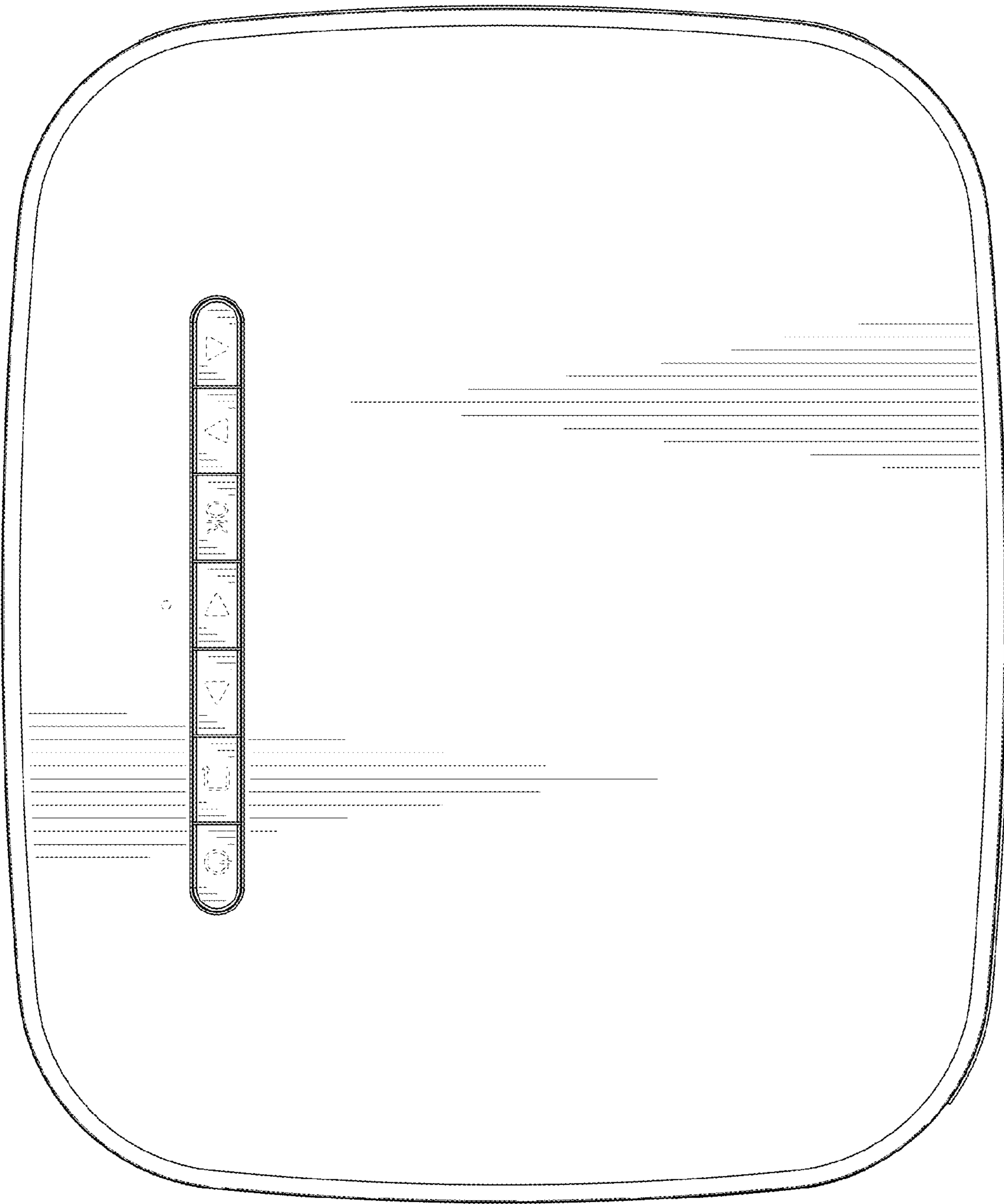


FIG. 7



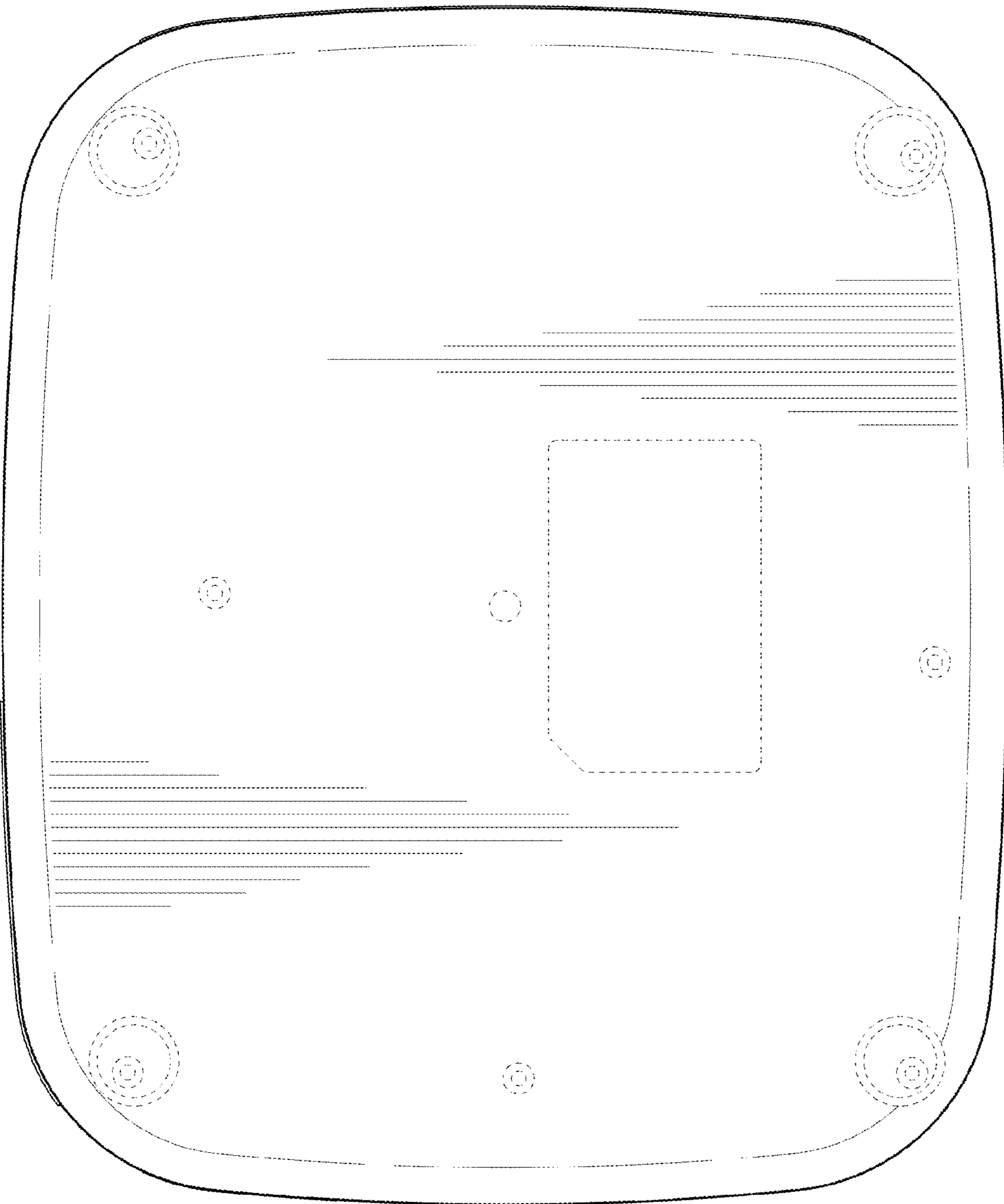


FIG. 8

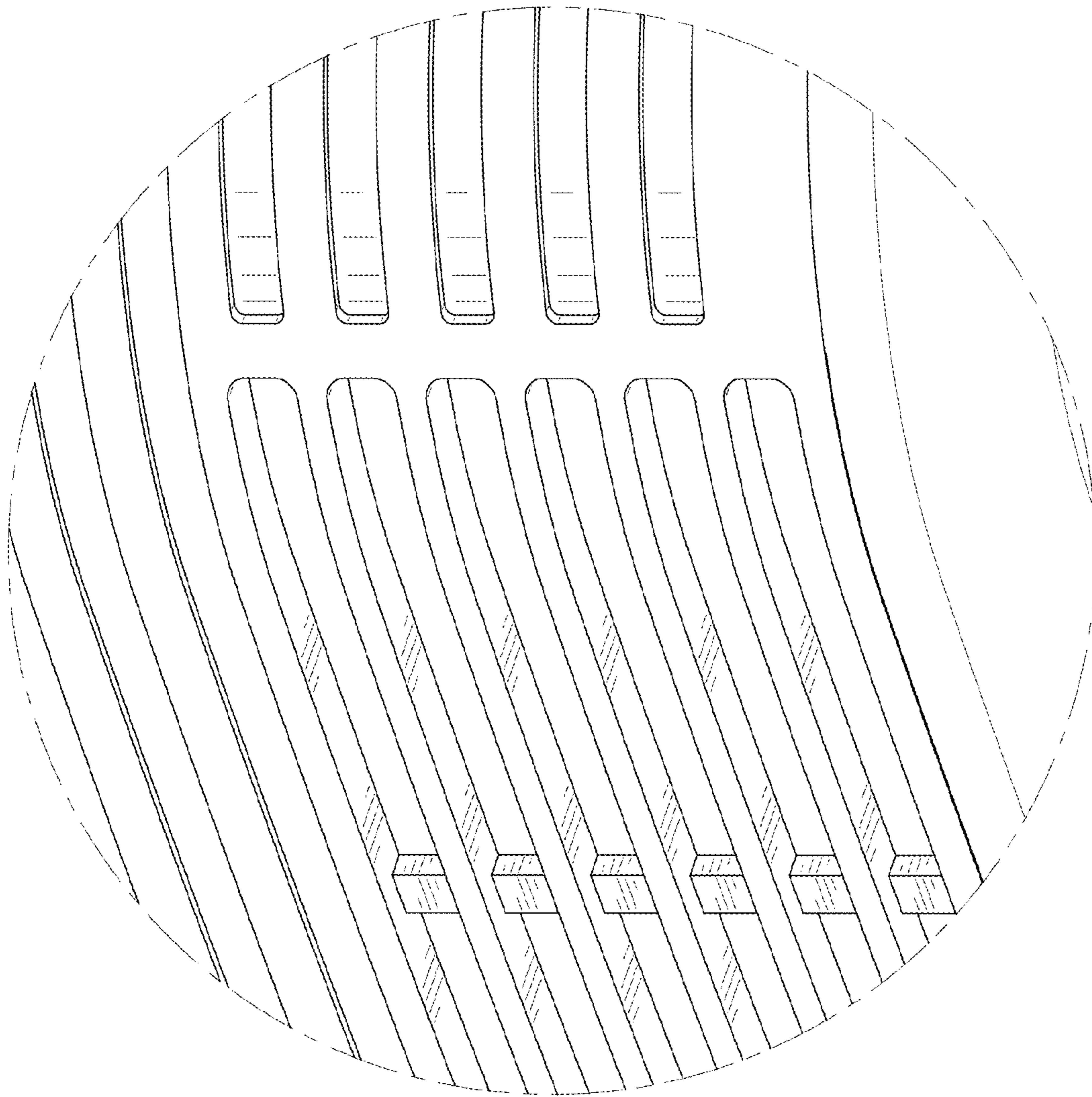


FIG. 9