



US00D989844S

(12) **United States Design Patent**  
**Sun**

(10) **Patent No.:** **US D989,844 S**  
(45) **Date of Patent:** **\*\* Jun. 20, 2023**

(54) **THERMAL CAMERA**

(71) Applicant: **Yingjie Sun**, Irvine, CA (US)

(72) Inventor: **Yingjie Sun**, Irvine, CA (US)

(\*\*) Term: **15 Years**

(21) Appl. No.: **29/788,080**

(22) Filed: **Mar. 10, 2021**

(51) **LOC (14) Cl.** ..... **16-06**

(52) **U.S. Cl.**  
USPC ..... **D16/218**

(58) **Field of Classification Search**  
USPC ..... D16/131, 132, 133, 134, 136, 200, 202,  
D16/203, 218; D22/108, 109; D10/104.1  
CPC ..... G02B 23/18; G02B 23/00; G03B 17/02;  
G03B 19/18  
See application file for complete search history.

(56) **References Cited**

**U.S. PATENT DOCUMENTS**

D369,613 S	*	5/1996	Palmer	.....	D16/132
D683,377 S	*	5/2013	Yokoi	.....	D16/132
D852,311 S	*	6/2019	Honda	.....	D22/109
D903,735 S	*	12/2020	Chen	.....	D16/132
D938,290 S	*	12/2021	Kuwayama	.....	D10/70
D952,727 S	*	5/2022	Hokari	.....	D16/203
D970,586 S	*	11/2022	Yuan	.....	D16/206

**FOREIGN PATENT DOCUMENTS**

CN	305792223	*	5/2020
CN	307763662	*	12/2022
EM	004705028-0001	*	2/2018
KR	301182437.0000	*	9/2022

**OTHER PUBLICATIONS**

AGM Fuzion Thermal Monocular, earliest pictured date unavailable, [online], [site visited Jan. 6, 2023]. Available via Internet,

<URL: <https://nightvisionguys.com/agm-fuzion-tm35-640-fusion-thermal-imaging-cmos-monocular-12-micron-640x512-50-hz-35-mm-lens>> (Year: 2023).\*  
Amazon JStoon Digital Night Vision Monocular, earliest pictured Feb. 3, 2020, [online], [site visited Jan. 6, 2023]. Available via Internet, <URL:<https://www.amazon.com/JStoon-Digital-Monocular-Infrared-Viewing/dp/B083R36S2S>> (Year: 2020).\*  
Mileseey Tools NV20 Digital Monocular, earliest pictured date unavailable, [online], [site visited Jan. 6, 2023]. Available via Internet, <URL:<https://www.mileseeytools.com/collections/digital-night-vision-monocular/products/digital-infrared-night-vision-monocular-nv20>> (Year: 2023).\*  
Google Search,[online], [site visited Jan. 6, 2023]. Available via Internet, <URL:<https://www.google.com/search?q=thermal+night+vision+monocular&tbm=isch&ved=2ahUKewiu4pa-pbP8AhXWGFkFHa0nCGUQ2-cCegQIABAA&%E2%80%A6>> (Year: 2023).\*

\* cited by examiner

*Primary Examiner* — Sanjeev Paul  
*Assistant Examiner* — Breana Copeland  
(74) *Attorney, Agent, or Firm* — Dunlap Bennett & Ludwig, PLLC

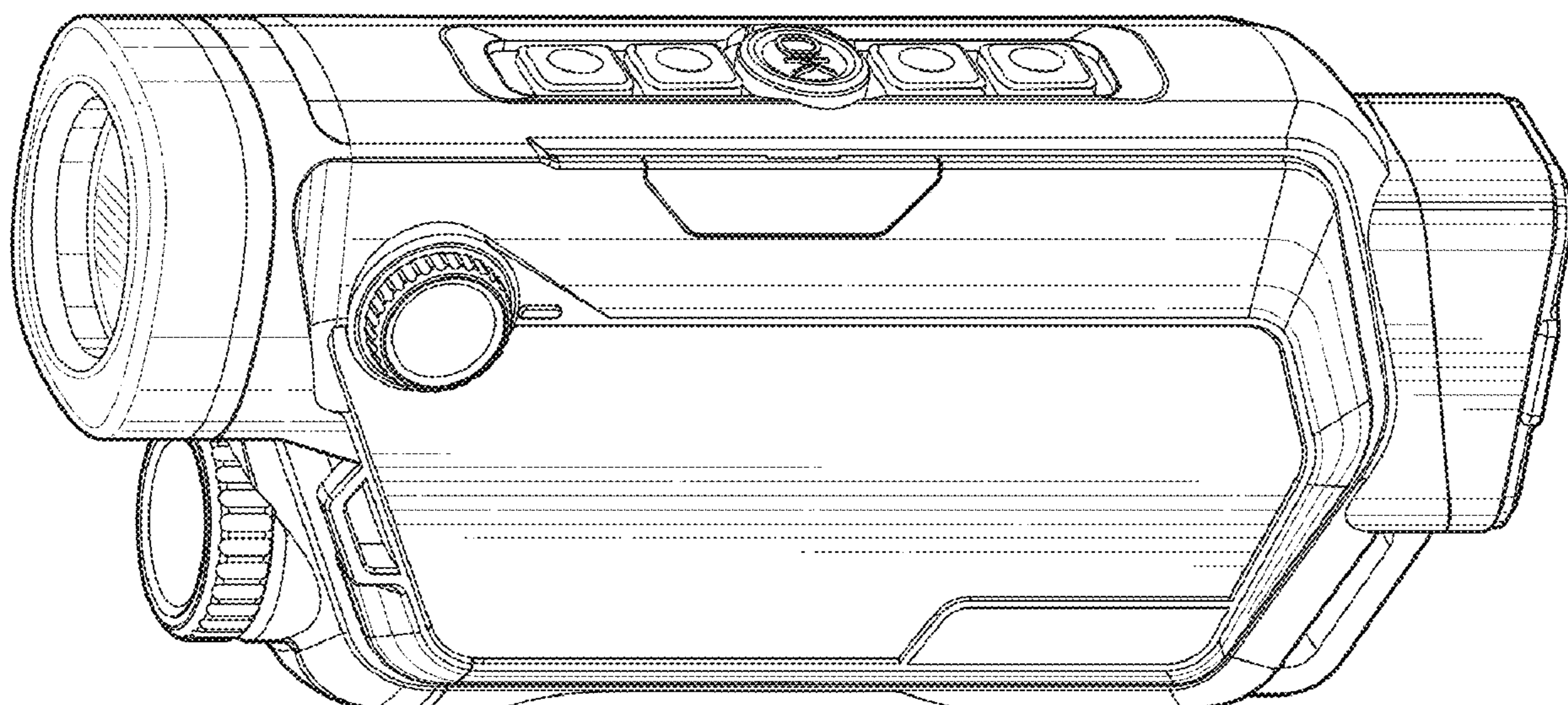
(57) **CLAIM**

The ornamental design for a thermal camera, as shown and described.

**DESCRIPTION**

FIG. 1 is a perspective view of a thermal camera, showing my new design;  
FIG. 2 is a front elevation view thereof;  
FIG. 3 is a rear elevation view thereof;  
FIG. 4 is a right side elevation view thereof;  
FIG. 5 is a left side elevation view thereof;  
FIG. 6 is a top plan view thereof; and,  
FIG. 7 is a bottom plan view thereof.

**1 Claim, 4 Drawing Sheets**



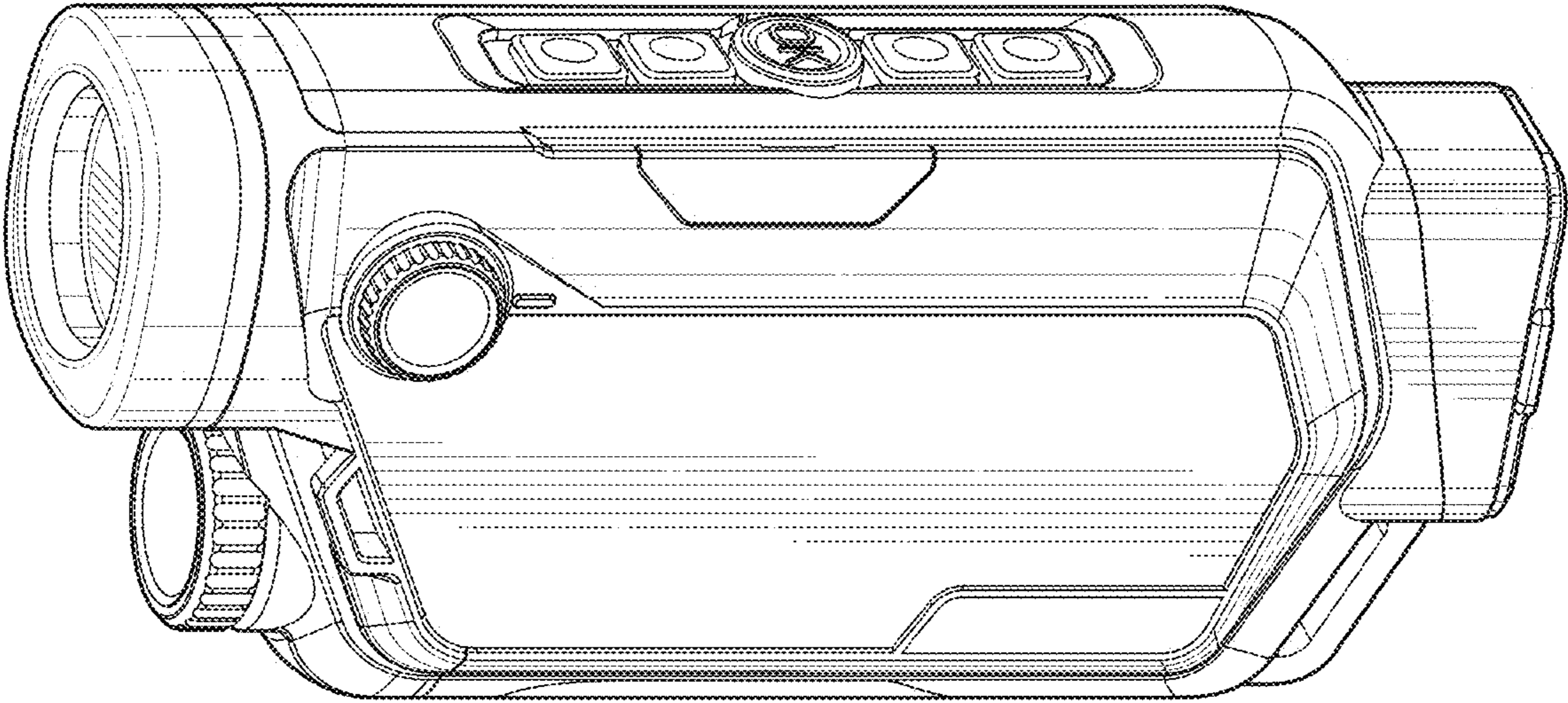
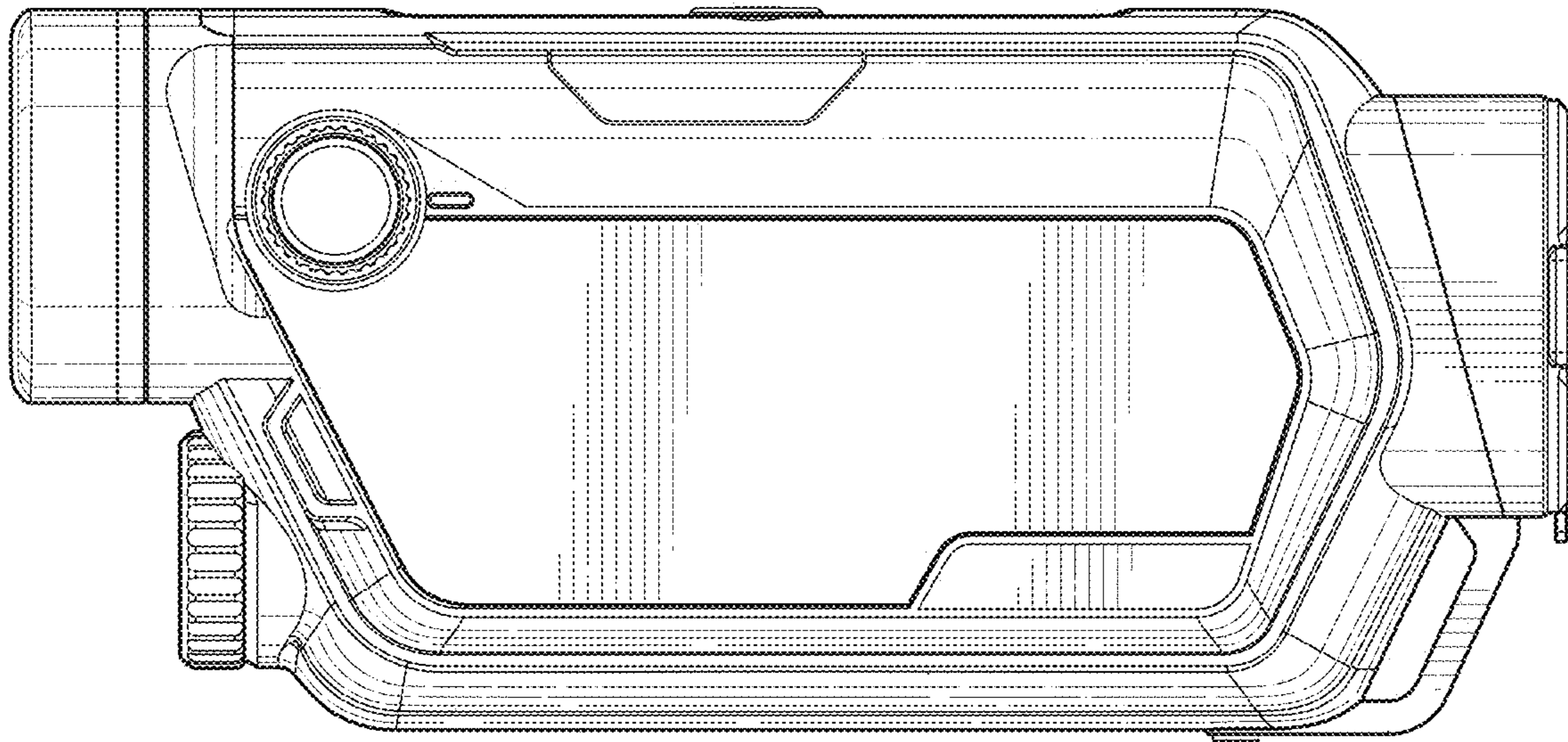
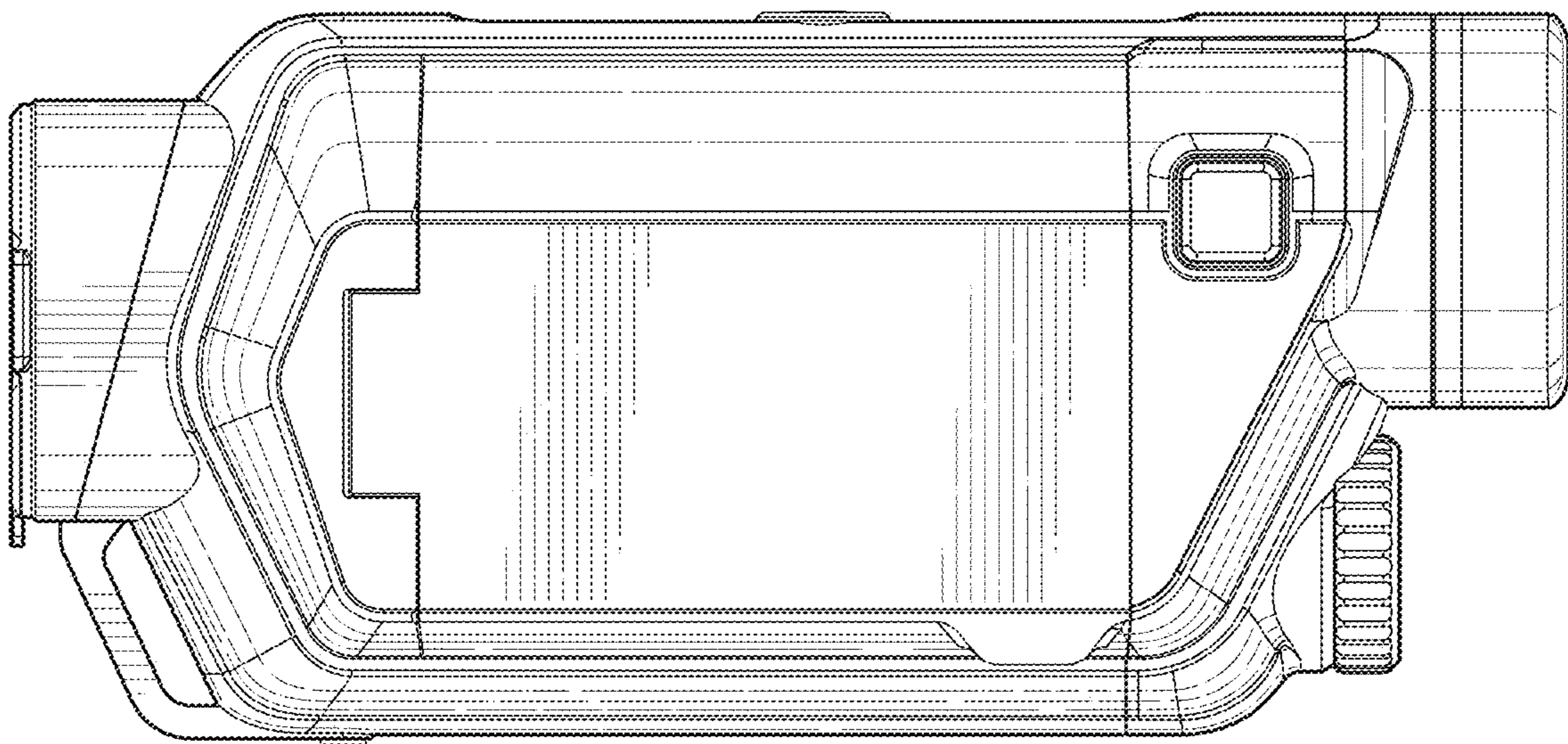


FIG. 1

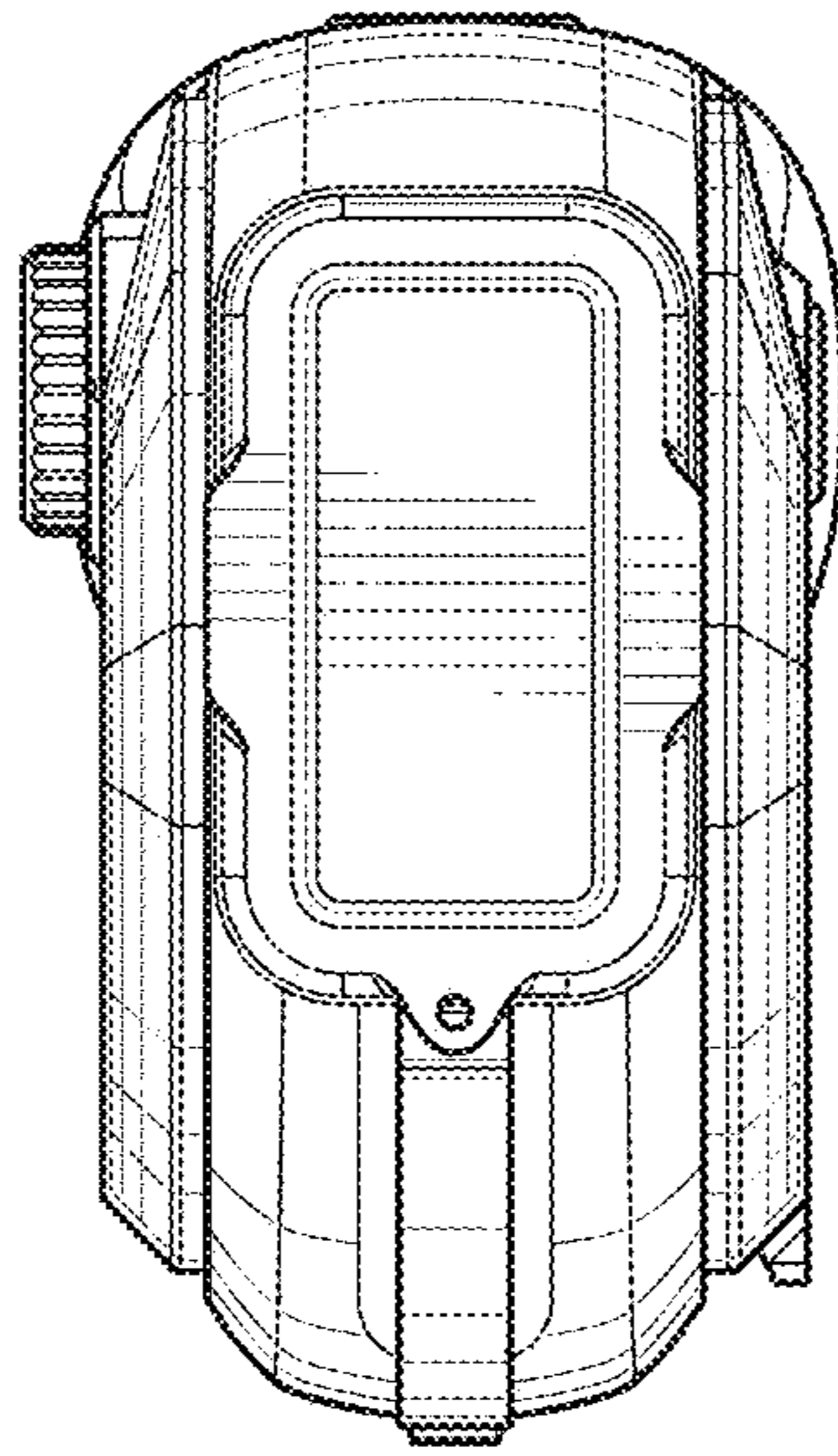




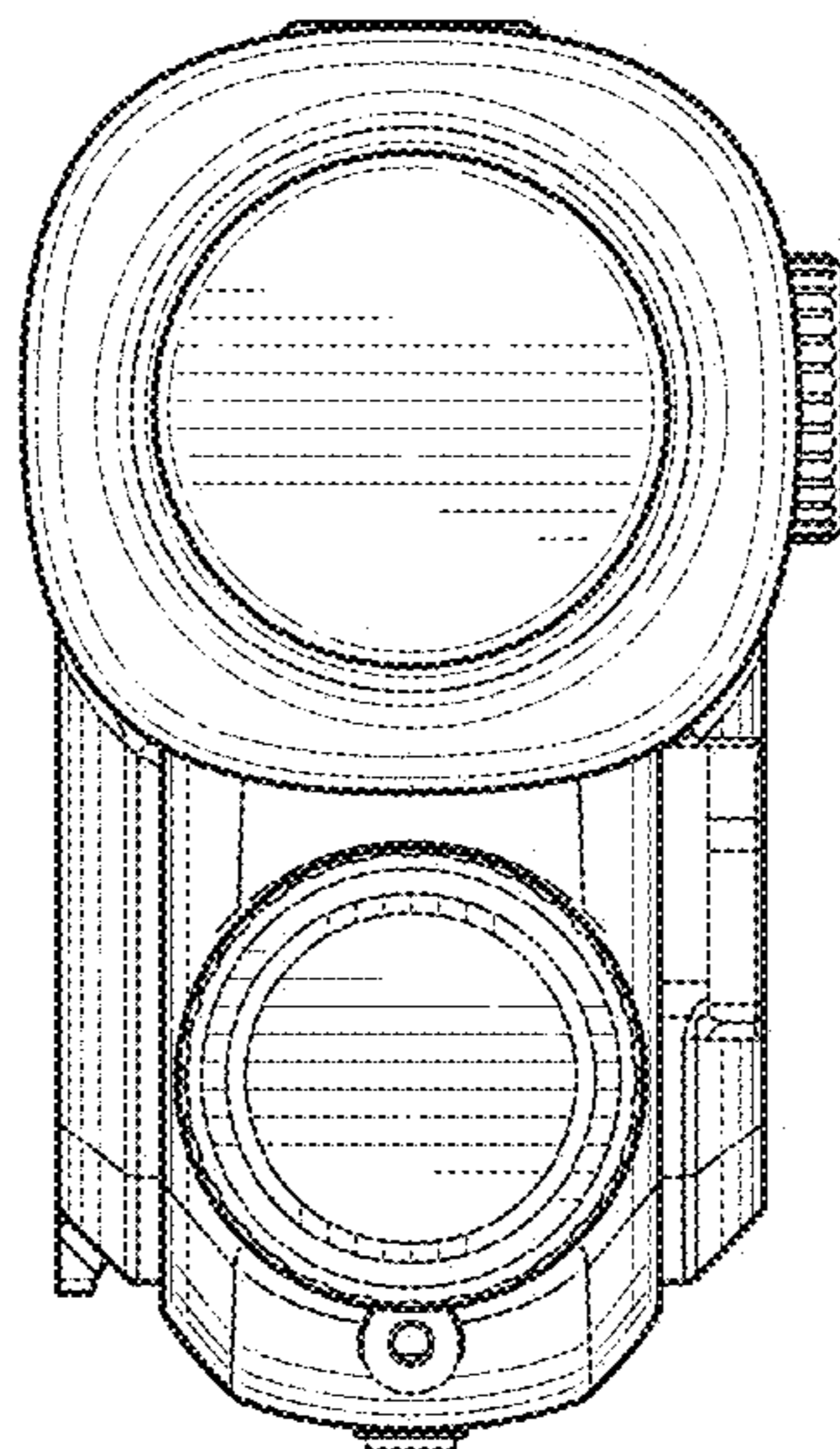
**FIG. 2**



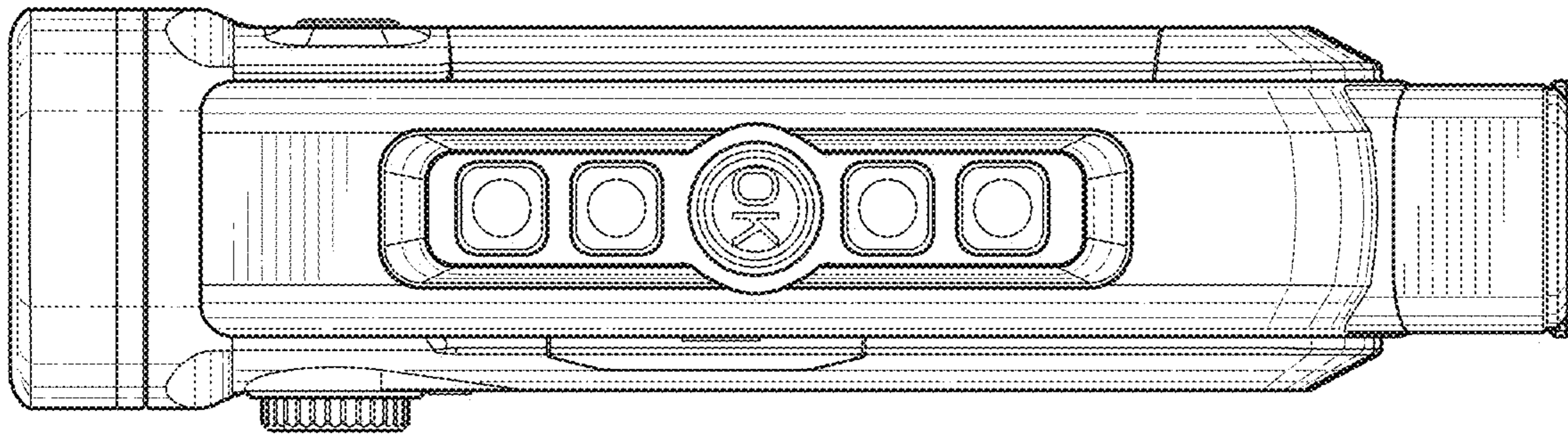
**FIG. 3**



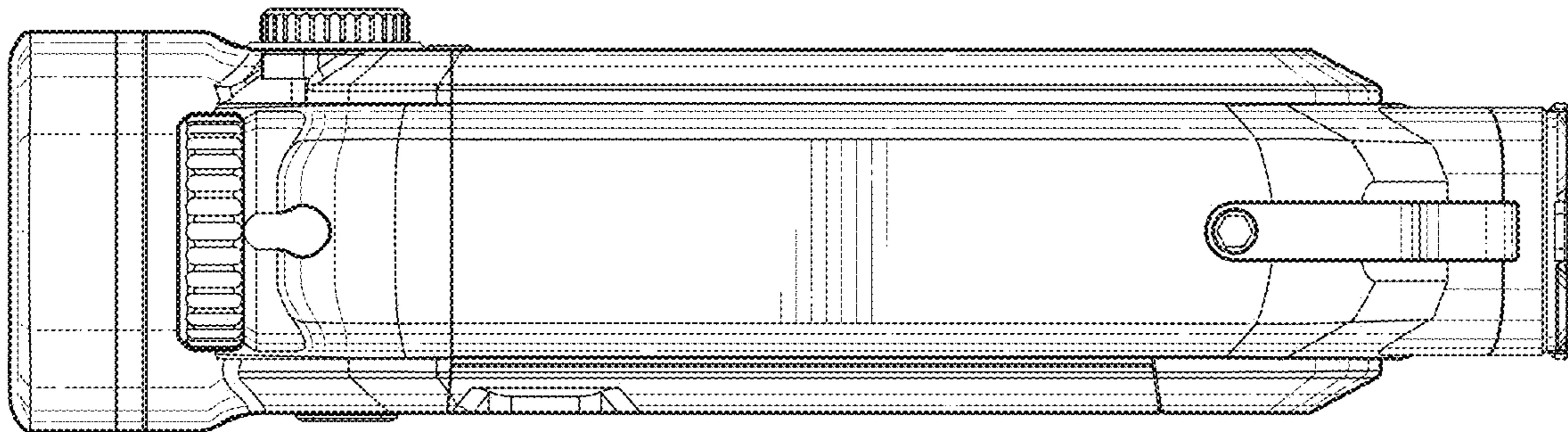
**FIG. 4**



**FIG. 5**



**FIG. 6**



**FIG. 7**