



US00D989843S

(12) **United States Design Patent**
Park et al.

(10) **Patent No.:** **US D989,843 S**

(45) **Date of Patent:** **** Jun. 20, 2023**

(54) **CAMERA**

(71) Applicant: **Cisco Technology, Inc.**, San Jose, CA (US)

(72) Inventors: **Kyunyoung Park**, Foster City, CA (US); **Ramkrishna Swamy**, Morgan Hill, CA (US); **Nicholas Dye Abalos**, San Francisco, CA (US); **Nicholas James Kaoru Kawamoto**, Novato, CA (US); **Parmis Taidy**, San Bruno, CA (US); **Ian Matthew Snyder**, San Francisco, CA (US); **Brad Andrew Palladino**, Oakland, CA (US)

(73) Assignee: **Cisco Technology, Inc.**, San Jose, CA (US)

(**) Term: **15 Years**

(21) Appl. No.: **29/865,569**

(22) Filed: **Aug. 1, 2022**

Related U.S. Application Data

(62) Division of application No. 29/739,719, filed on Jun. 29, 2020, now Pat. No. Des. 959,535.

(51) **LOC (14) Cl.** **16-01**

(52) **U.S. Cl.**
USPC **D16/203**

(58) **Field of Classification Search**
USPC D16/200, 202–206, 218, 219, 242
CPC G03B 17/02; G03B 19/04; G03B 17/56;
G03B 17/04; G03B 15/03; H04N 5/2251;
H04N 5/2252; H04N 5/2253; H04N
5/2254; H04N 7/181; H04N 7/183; H04N
7/18; G08B 13/1963; G08B 13/19619;
G08B 13/19632; F16M 11/04; F16M
13/00

See application file for complete search history.

(56) **References Cited**

U.S. PATENT DOCUMENTS

D514,150 S *	1/2006	Muto	D16/203
D585,926 S *	2/2009	Su	D16/203
D634,345 S *	3/2011	Kim	D16/203
D634,347 S *	3/2011	Park	D16/203
D643,453 S *	8/2011	Ham	D16/203
D691,187 S *	10/2013	Seo	D16/203
D702,274 S *	4/2014	Qian	D16/203
D731,574 S *	6/2015	Hallstrom	D16/203
D823,369 S *	7/2018	Wang	D16/203
D827,691 S *	9/2018	Zhong	D16/203
D857,078 S *	8/2019	Xue	D16/203
D881,970 S *	4/2020	Peng	D16/203
D900,190 S *	10/2020	Park	D16/203

* cited by examiner

Primary Examiner — Ramzi Almatrahi

(74) *Attorney, Agent, or Firm* — Polsinelli

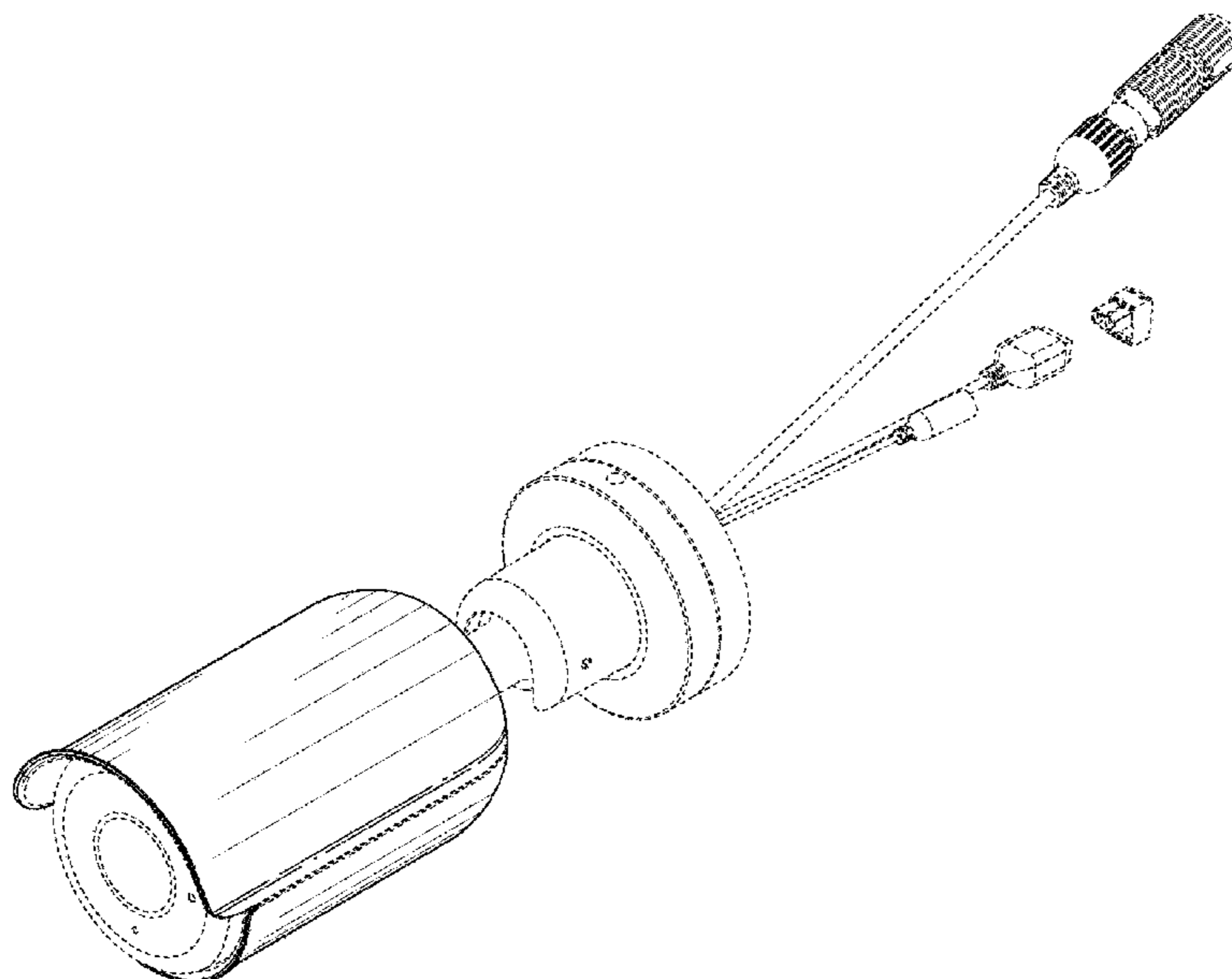
(57) **CLAIM**

We claim the ornamental design for a camera, as shown and described.

DESCRIPTION

FIG. 1 is a front perspective view of a camera showing our new design;
FIG. 2 is a front elevational view thereof;
FIG. 3 is a rear elevational view thereof;
FIG. 4 is a right side elevational view thereof;
FIG. 5 is a left side elevational view thereof;
FIG. 6 is a top plan view thereof; and,
FIG. 7 is a bottom plan view thereof.
The broken lines depict portions of the camera in which the design is embodied that form no part of the claimed design.

1 Claim, 4 Drawing Sheets



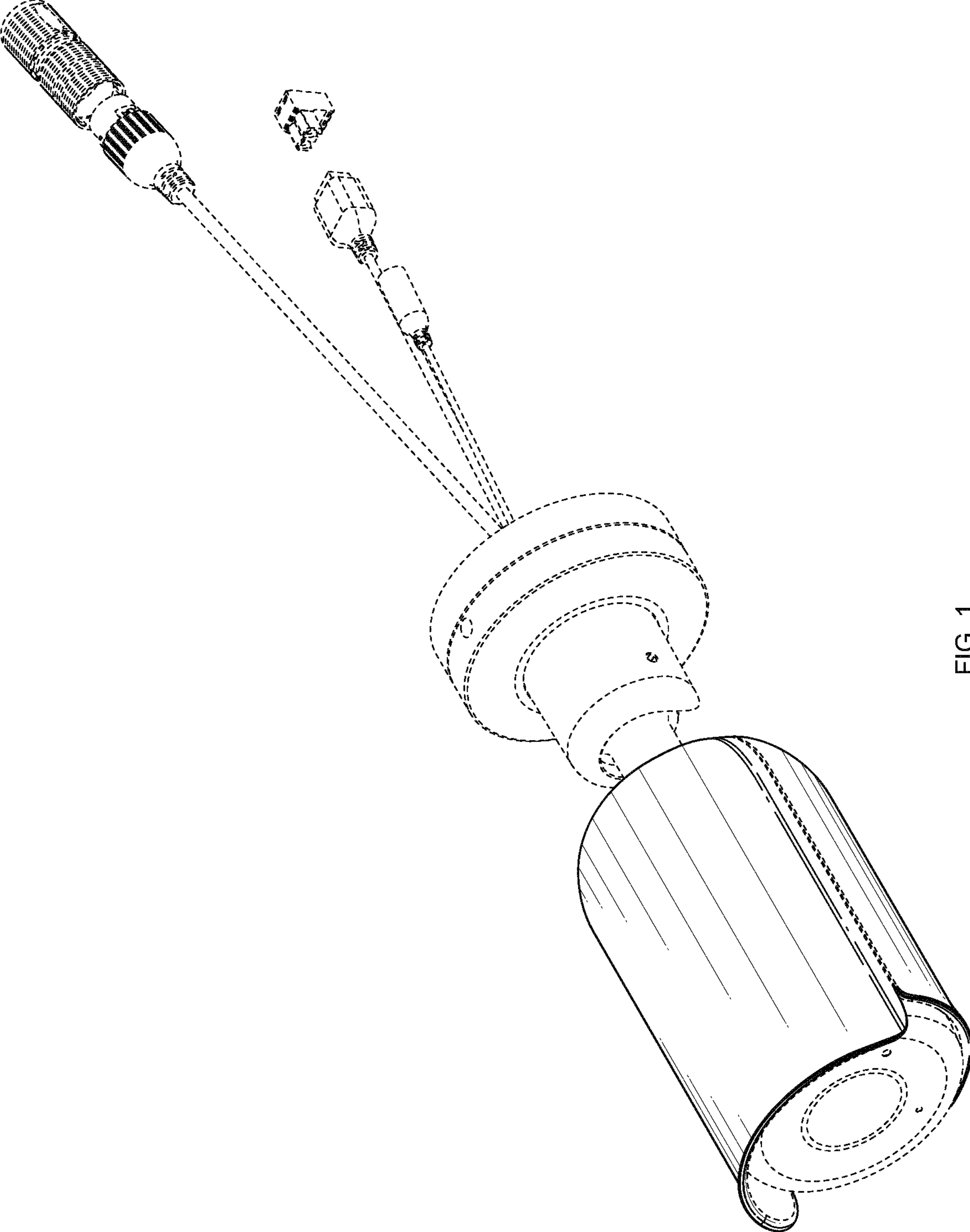


FIG. 1

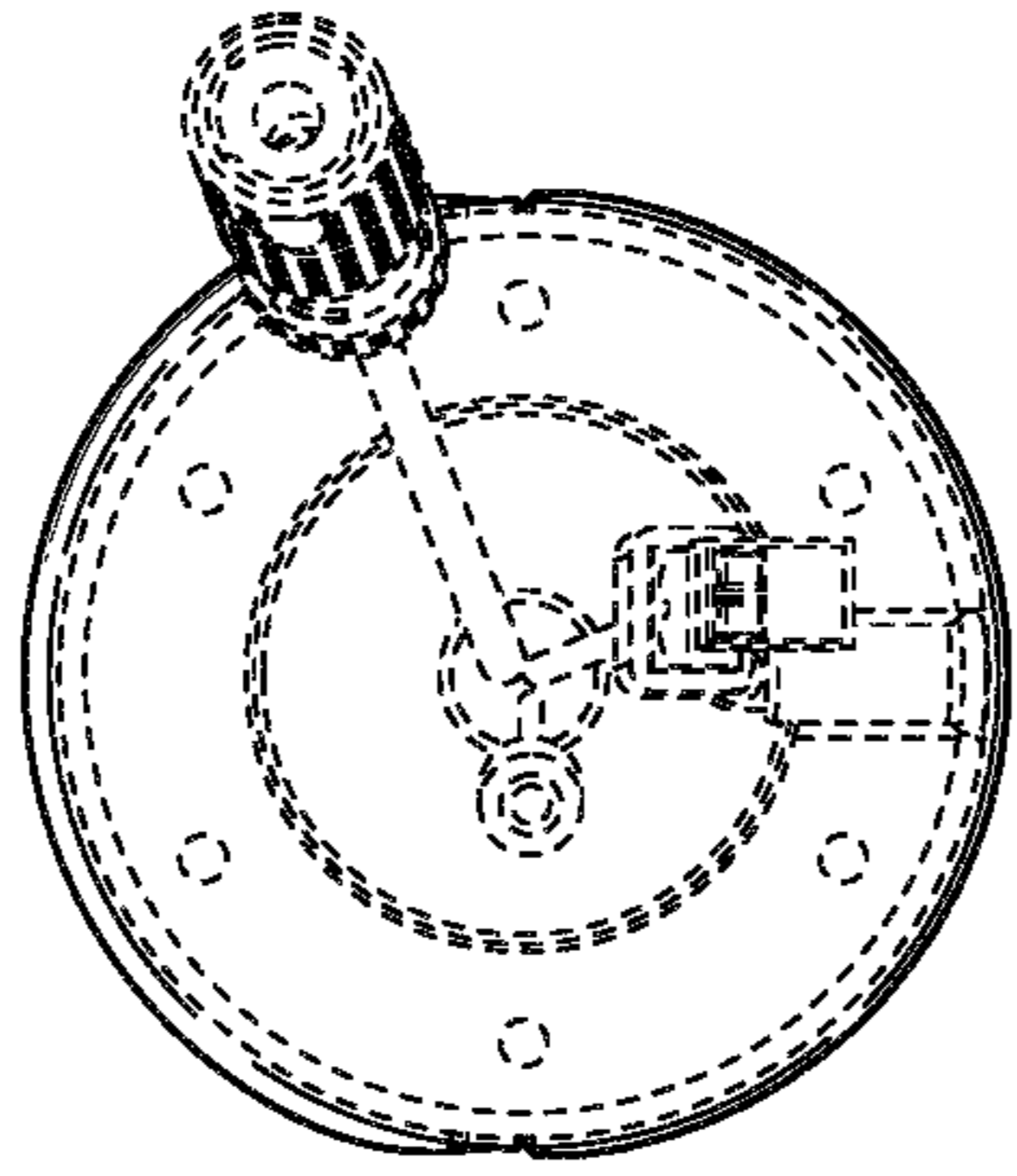


FIG. 3

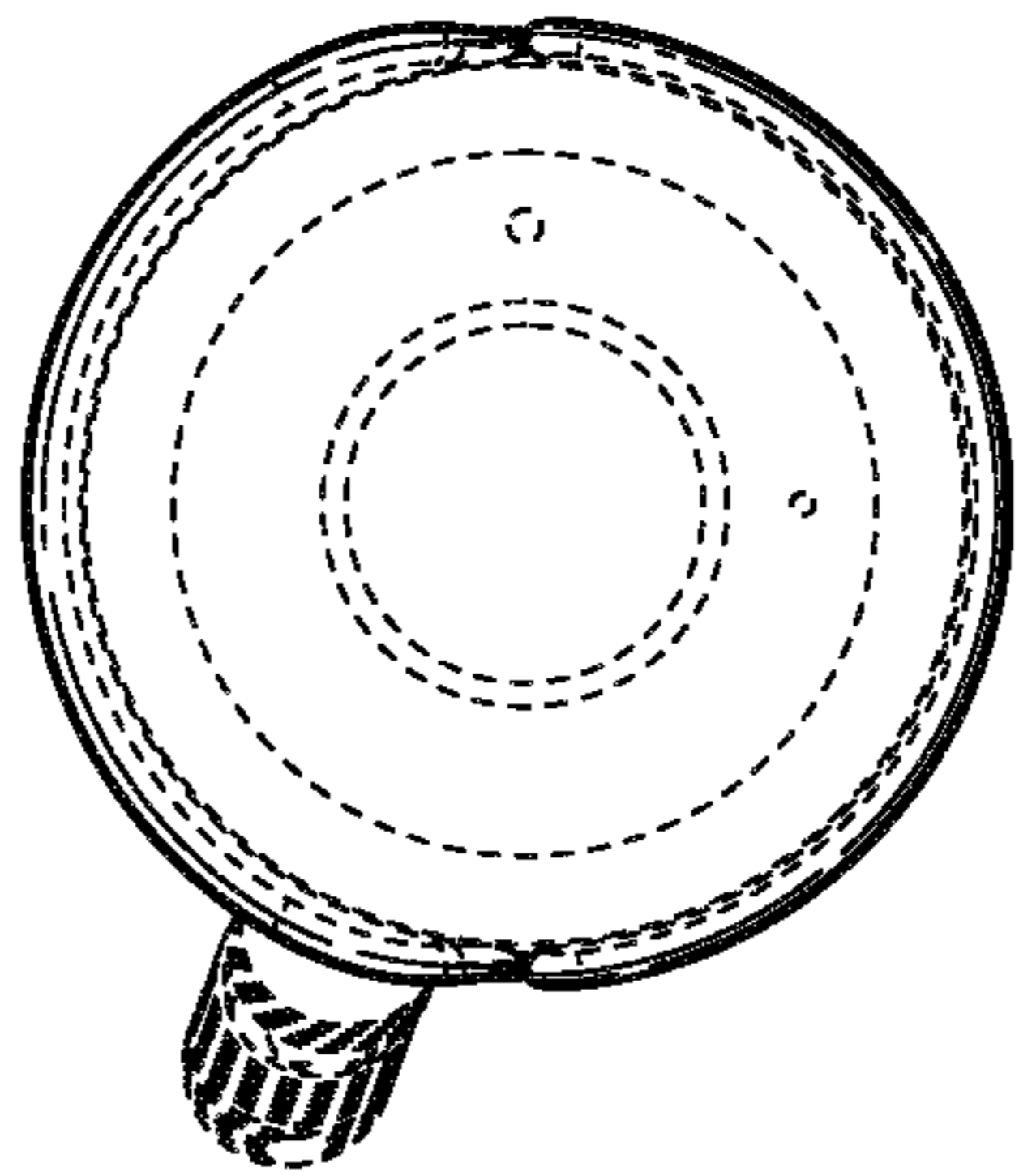


FIG. 2

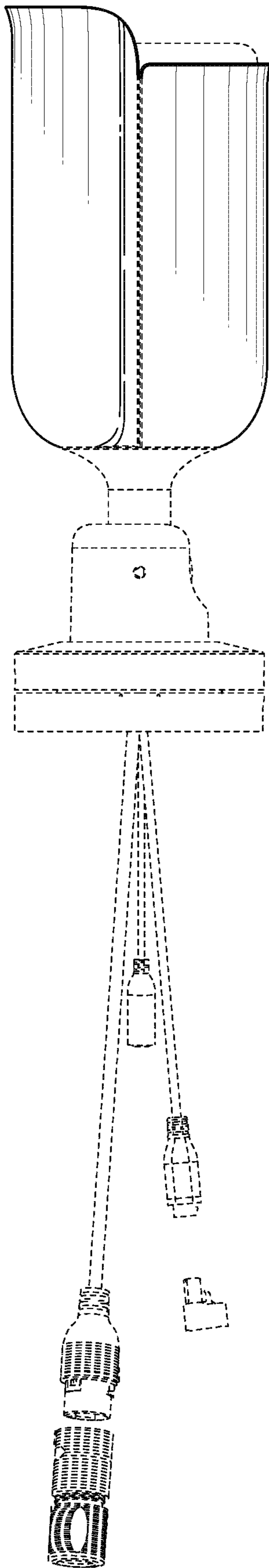


FIG. 4

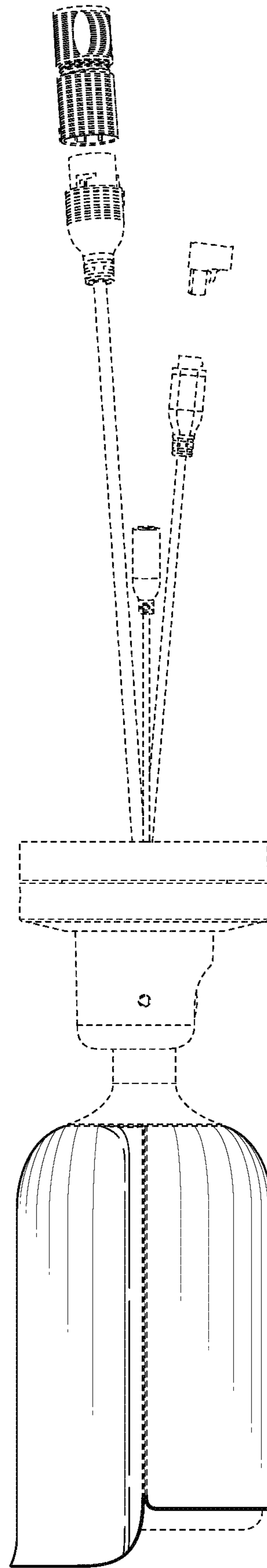


FIG. 5

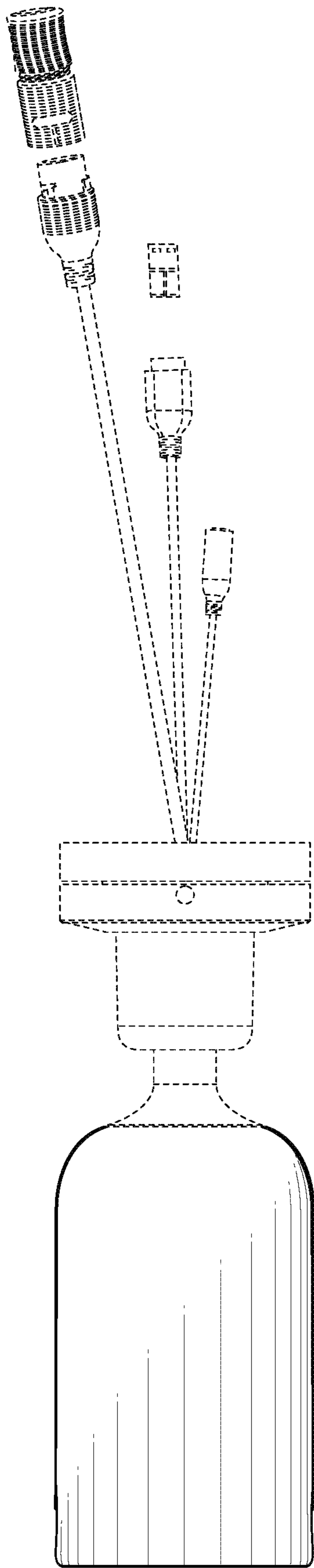


FIG. 6

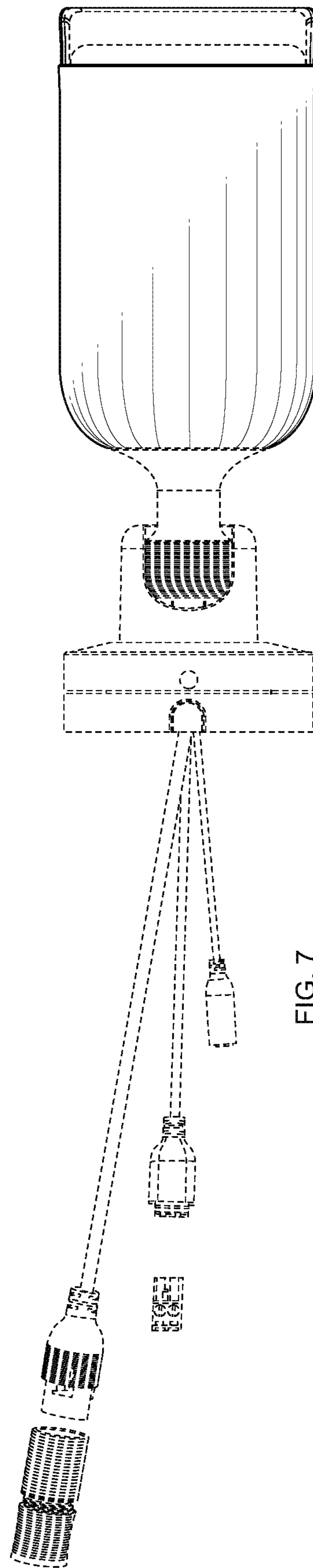


FIG. 7