



US00D989841S

(12) **United States Design Patent** (10) **Patent No.:** **US D989,841 S**
Muhlenkamp, IV et al. (45) **Date of Patent:** **** Jun. 20, 2023**

(54) **CAMERA**

(56)

References Cited

(71) Applicant: **GoPro, Inc.**, San Mateo, CA (US)

U.S. PATENT DOCUMENTS

(72) Inventors: **John George Muhlenkamp, IV**,
Brisbane, CA (US); **Daniel J. Coster**,
Oakura (NZ); **Huy Phuong Nguyen**,
Alpine, UT (US); **Kielan C. Crow**, San
Mateo, CA (US); **Nicholas Vitale**,
Foster City, CA (US)

1,612,277 A	12/1926	Leo
D96,348 S	7/1935	Teaque
D118,296 S	12/1939	Tuomey
3,508,482 A	4/1970	Taylor
3,721,746 A	3/1973	Knappenberger
D243,618 S	3/1977	Kaye
4,091,402 A	5/1978	Siegel
4,208,028 A	6/1980	Brown
D260,513 S	9/1981	Comstock
4,469,423 A	9/1984	Bresson
4,646,141 A	2/1987	Timmermans
4,733,259 A	3/1988	Ng
D299,651 S	1/1989	Preussner
D321,705 S	11/1991	Ohmura
D328,888 S	8/1992	Zhu
D329,040 S	9/1992	Seki
D334,169 S	3/1993	Antonczak
5,216,371 A	6/1993	Nagai
D338,220 S	8/1993	Kohno
D339,365 S	9/1993	Urcuilio
D348,043 S	6/1994	Hamilton
D354,739 S	1/1995	Durham
5,400,234 A	3/1995	Yu
D372,896 S	8/1996	Nagele
D385,283 S	10/1997	Snyder
D386,147 S	11/1997	Siddoway
D392,659 S	3/1998	Takano
5,808,663 A	9/1998	Okaya
D400,496 S	11/1998	Barber
D402,955 S	12/1998	Smith
D404,356 S	1/1999	Higgins
D407,098 S	3/1999	Goto
D408,796 S	4/1999	Georgopoulos
D409,160 S	5/1999	Sonntag
D412,153 S	7/1999	Chen
D418,107 S	12/1999	Murray, III
D423,449 S	4/2000	Naskali
D432,493 S	10/2000	Killebrew
6,153,834 A	11/2000	Cole
D439,218 S	3/2001	Yu
D441,386 S	5/2001	Yamazaki
D442,982 S	5/2001	Adachi
6,233,400 B1	5/2001	Muramatsu
D449,577 S	10/2001	Nishio
6,315,180 B1	11/2001	Watkins

(73) Assignee: **GoPro, Inc.**, San Mateo, CA (US)

(**) Term: **15 Years**

(21) Appl. No.: **29/847,169**

(22) Filed: **Jul. 21, 2022**

Related U.S. Application Data

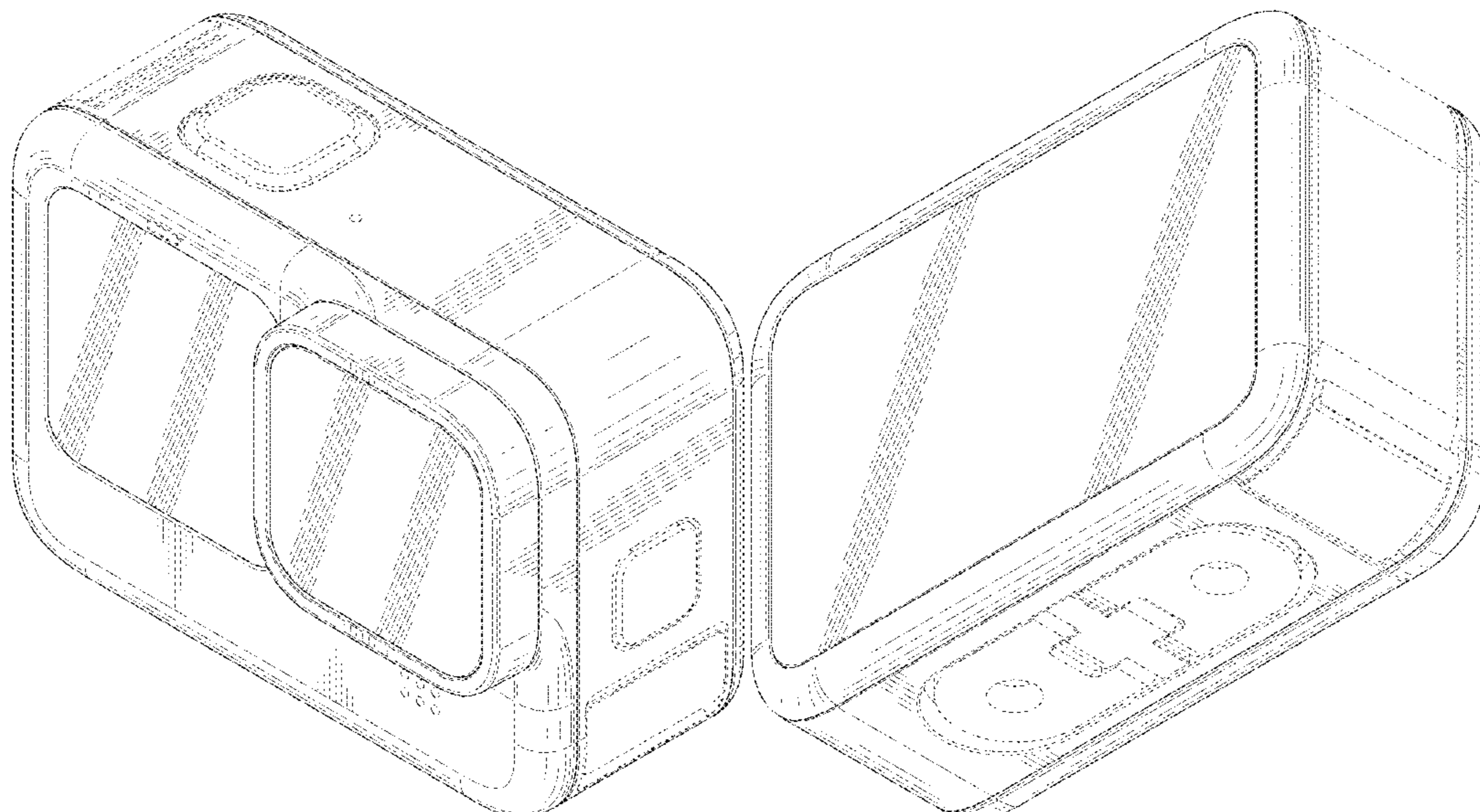
(62) Division of application No. 29/833,636, filed on Apr. 6, 2022, now Pat. No. Des. 963,022, which is a division of application No. 29/817,148, filed on Nov. 29, 2021, now Pat. No. Des. 950,624, which is a division of application No. 29/746,620, filed on Aug. 14, 2020, now Pat. No. Des. 946,074.

(51) **LOC (14) Cl.** **16-01**

(52) **U.S. Cl.**
USPC **D16/218**

(58) **Field of Classification Search**
USPC D16/200, 202-208, 218, 219, 242
CPC G03B 17/02; G03B 19/04; G03B 17/56;
G03B 17/04; G03B 15/03; H04N 5/2251;
H04N 5/2252; H04N 5/2253; H04N
5/2254; H04N 7/181; H04N 7/183; H04N
7/18; G08B 13/1963; G08B 13/19619;
G08B 13/19632; F16M 11/04; F16M
13/00

See application file for complete search history.



US D989,841 S

Page 2

D456,006 S	4/2002	Maher	D645,814 S	9/2011	Otani
6,380,713 B2	4/2002	Namura	8,014,656 B2	9/2011	Woodman
D457,132 S	5/2002	Petherbridge	D646,222 S	10/2011	Tatehata
D460,411 S	7/2002	Wang	D647,554 S	10/2011	Yim
D463,469 S	9/2002	Kawase	D647,935 S	11/2011	Raken
D463,774 S	10/2002	Buck	D647,944 S	11/2011	Jannard
D474,489 S	5/2003	Kawashima	D648,270 S	11/2011	Jiang
D480,682 S	10/2003	Kawase	D654,850 S	2/2012	Obata
D480,741 S	10/2003	Berger	D654,853 S	2/2012	Bacon
D481,995 S	11/2003	Yokota	D657,808 S	4/2012	Woodman
D483,329 S	12/2003	Kuo	D660,339 S	5/2012	Yoshida
D484,164 S	12/2003	Ogura	D660,788 S	5/2012	Ziring
D486,510 S	2/2004	Ogura	8,199,251 B2	6/2012	Woodman
D487,765 S	3/2004	Dow	D664,995 S	8/2012	Akana
6,718,129 B1	4/2004	Cornell	D665,340 S	8/2012	Obata
D490,370 S	5/2004	Picardo	8,247,106 B2	8/2012	Takeshita
D491,137 S	6/2004	Suzuki	D667,003 S	9/2012	Richter
D492,248 S	6/2004	Gregory	D668,247 S	10/2012	Kim
D494,940 S	8/2004	Fiocchi	D674,749 S	1/2013	Moore
D496,674 S	9/2004	Hayashi	D676,476 S	2/2013	Ishikura
D504,904 S	5/2005	Nagai	D680,097 S	4/2013	Davies
D509,189 S	9/2005	Buck	D681,550 S	5/2013	Corbin
D510,721 S	10/2005	Axelrod	D682,777 S	5/2013	Gupta
D512,371 S	12/2005	Axelrod	D682,778 S	5/2013	Baumgartner
D515,121 S	2/2006	Bleau	8,467,675 B2	6/2013	Chen
D515,613 S	2/2006	Holmes	D687,426 S	8/2013	Requa
D516,502 S	3/2006	Small	D690,280 S	9/2013	Schul
D516,503 S	3/2006	Takeshita	8,542,308 B2	9/2013	Ozawa
D521,445 S	5/2006	Liu	D692,042 S	10/2013	Dawes
D521,446 S	5/2006	Liu	8,544,643 B2	10/2013	Yim
D523,808 S	6/2006	Thor	D692,939 S	11/2013	Huang
D524,241 S	7/2006	Takeshita	D699,672 S	2/2014	Kosugi
D524,836 S	7/2006	Morita	D700,136 S	2/2014	Morris
D526,612 S	8/2006	Sugeno	D700,166 S	2/2014	Petersen
D527,403 S	8/2006	Byun	D702,276 S	4/2014	Woodman
D531,199 S	10/2006	Matsuda	D702,278 S	4/2014	Kim
D532,029 S	11/2006	Kim	8,743,277 B2	6/2014	Matsuzawa
D532,030 S	11/2006	Yoshida	D708,189 S	7/2014	An
D532,433 S	11/2006	Sato	D708,571 S	7/2014	Ji
D533,574 S	12/2006	Hamamura	D709,439 S	7/2014	Ferber
D534,564 S	1/2007	Tainaka	8,792,003 B2	7/2014	Nakamura
D535,249 S	1/2007	Ogasawara	D710,921 S	8/2014	Gioscia
D535,253 S	1/2007	Buck	D710,922 S	8/2014	Gioscia
D538,322 S	3/2007	Horikiri	D712,347 S	9/2014	Awiszus
D544,463 S	6/2007	Harris, Jr.	D712,391 S	9/2014	Kim
D546,277 S	7/2007	Andre	D713,868 S	9/2014	Yang
D551,969 S	10/2007	Aurilio	8,828,601 B2	9/2014	Hara
D555,587 S	11/2007	Yamamoto	8,837,928 B1	9/2014	Clearman
D556,803 S	12/2007	Ishida	D715,347 S	10/2014	Troxel
D561,092 S	2/2008	Kim	D715,789 S	10/2014	Yoon
D566,151 S	4/2008	Won	8,865,339 B2	10/2014	Enari
D576,486 S	9/2008	Koza	D718,617 S	12/2014	Taylor
D577,729 S	9/2008	Derry	D721,395 S	1/2015	Woodman
D577,731 S	9/2008	Altonji	D722,043 S	2/2015	Requa
D584,683 S	1/2009	Preliasco	D722,864 S	2/2015	Greenthal
D590,334 S	4/2009	Tatehata	D723,456 S	3/2015	Currah
D594,047 S	6/2009	Lee	D724,013 S	3/2015	Zsolcsak
D594,497 S	6/2009	Hatori	D724,538 S	3/2015	Baumgartner
D596,217 S	7/2009	Kim	D724,637 S	3/2015	Samuels
7,626,621 B2	12/2009	Ito	D724,638 S	3/2015	Samuels
7,653,292 B2	1/2010	Yamaguchi	D725,169 S	3/2015	Gioscia
D610,539 S	2/2010	Dahan	D725,590 S	3/2015	Clyne
7,683,968 B2	3/2010	Hagihara	D725,691 S	3/2015	De Rosa
D616,480 S	5/2010	Ookawa	8,992,102 B1	3/2015	Samuels
D616,742 S	6/2010	Lymn	D726,648 S	4/2015	Zealer
D617,360 S	6/2010	Endo	D727,387 S	4/2015	Hasegawa
7,728,905 B2	6/2010	Tanaka	D727,991 S	4/2015	Hasegawa
D621,860 S	8/2010	Fukano	9,004,783 B1	4/2015	Woodman
D622,591 S	8/2010	Biesecker, II	D729,059 S	5/2015	Taylor
7,768,727 B2	8/2010	Iida	D729,761 S	5/2015	Hu
7,801,439 B2	9/2010	Nagata	D729,762 S	5/2015	Hu
D631,835 S	2/2011	Neidhart	D730,287 S	5/2015	Motoyama
D635,607 S	4/2011	Takagi	D730,423 S	5/2015	Vandenbussche
D637,552 S	5/2011	Inman	9,033,596 B2	5/2015	Samuels
D640,196 S	6/2011	Shuang	D732,593 S	6/2015	Woodman
D641,389 S	7/2011	Dastagir	D733,781 S	7/2015	Chen
D642,517 S	8/2011	Inman	D733,788 S	7/2015	Baker
D643,809 S	8/2011	Okuda	D734,799 S	7/2015	Woodman
D644,988 S	9/2011	Finney	9,077,013 B2	7/2015	Huang

US D989,841 S

D737,879 S	9/2015	Woodman	D794,696 S	8/2017	Nguyen
D739,451 S	9/2015	Gioscia	D797,040 S	9/2017	Lavin, Jr.
D740,868 S	10/2015	Gioscia	D798,929 S	10/2017	Zhou
D741,394 S	10/2015	Gioscia	D800,202 S	10/2017	Hu
D741,932 S	10/2015	Huang	D800,817 S	10/2017	Sutton
D742,818 S	11/2015	Lin	D800,819 S	10/2017	Parfitt
D742,952 S	11/2015	Nakajima	D803,705 S	11/2017	Read
D744,572 S	12/2015	Tabuchi	D803,919 S	11/2017	Jeong
D745,589 S	12/2015	Lee	D803,920 S	11/2017	Shin
D745,920 S	12/2015	Lee	D803,925 S	11/2017	Hoshi
9,204,021 B2	12/2015	Woodman	D804,560 S	12/2017	Costa
D750,146 S	2/2016	Costa	D805,117 S	12/2017	Nguyen
D750,680 S	3/2016	Chen	D805,569 S	12/2017	Daugela
D750,686 S	3/2016	Chen	D806,155 S	12/2017	Parfitt
D750,687 S	3/2016	Samuels	D806,775 S	1/2018	Nguyen
D750,690 S	3/2016	Lee	D808,163 S	1/2018	Song
D751,131 S	3/2016	Woodman	D808,898 S	1/2018	Walker
D752,672 S	3/2016	Clearman	D814,543 S	4/2018	Oshima
D753,749 S	4/2016	Zhu	D815,032 S	4/2018	Lin
D754,238 S	4/2016	Woodman	D815,677 S	4/2018	Gao
D754,769 S	4/2016	Patulski	D816,753 S	5/2018	Zhang
D755,270 S	5/2016	Vehlewald	D818,025 S	5/2018	Wong
D755,271 S	5/2016	Patulski	D818,028 S	5/2018	Ramones
D755,274 S	5/2016	Lee	D818,029 S	5/2018	Fujita
D755,874 S	5/2016	Yang	D819,718 S	6/2018	Wu
D758,467 S	6/2016	Zhang	D820,335 S	6/2018	Favè
D759,145 S	6/2016	Lee	D820,339 S	6/2018	Yau
D759,585 S	6/2016	Herbst	D820,898 S	6/2018	Fujita
D760,309 S	6/2016	Parfitt	D821,476 S	6/2018	Martin
D760,312 S	6/2016	Lee	D821,480 S	6/2018	Gioscia
9,360,742 B1	6/2016	Harrison	D821,481 S	6/2018	Gioscia
9,395,031 B1	7/2016	Clearman	D824,982 S	8/2018	Lee
D762,759 S	8/2016	Wu	D825,636 S	8/2018	Hueber
D763,346 S	8/2016	Jenkins	D829,260 S	9/2018	Fujita
D763,941 S	8/2016	Smith	D830,446 S	10/2018	Muhlenkamp, IV
D764,559 S	8/2016	Luo	D832,905 S	11/2018	Liu
D765,594 S	9/2016	Li	D832,906 S	11/2018	Hasegawa
D766,175 S	9/2016	Tsiopanos	D833,505 S	11/2018	Hu
D766,351 S	9/2016	Li	D835,172 S	12/2018	Fujita
D769,346 S	10/2016	Nguyen	D835,574 S	12/2018	Trongone
D769,814 S	10/2016	Lin	D835,910 S	12/2018	Eliyahu
D772,804 S	11/2016	Nakashima	D836,696 S	12/2018	Zhang
D772,966 S	11/2016	Song	D837,861 S	1/2019	Luo
9,507,245 B1	11/2016	Druker	D837,865 S	1/2019	Parfitt
D773,546 S	12/2016	Nguyen	D838,762 S	1/2019	Piekarski
D773,547 S	12/2016	Lee	D839,335 S	1/2019	Zhang
D775,254 S	12/2016	Parfitt	D839,945 S	2/2019	Lenz
D776,183 S	1/2017	Miyazaki	D840,463 S	2/2019	Nguyen
D776,610 S	1/2017	Nommensen	D842,142 S	3/2019	Recker
D776,612 S	1/2017	Chen	D848,509 S	5/2019	Lee
D776,738 S	1/2017	Clearman	D849,076 S	5/2019	Bertram
D776,741 S	1/2017	Parfitt	D849,078 S	5/2019	Girotti
D777,125 S	1/2017	Eder	D849,084 S	5/2019	Hu
D777,236 S	1/2017	Mai	D849,100 S	5/2019	Hsu
D777,240 S	1/2017	Costa	D849,108 S	5/2019	Huang
D777,821 S	1/2017	Gioscia	D849,730 S	5/2019	Charette
D778,335 S	2/2017	Gioscia	D850,513 S	6/2019	Gan
D778,336 S	2/2017	Gioscia	D851,155 S	6/2019	Hu
D779,576 S	2/2017	Ikegame	D852,255 S	6/2019	Guo
D780,111 S	2/2017	Clyne	D852,256 S	6/2019	Bai
D780,112 S	2/2017	Lin	D854,597 S	7/2019	Gao
D780,244 S	2/2017	Wang	D855,675 S	8/2019	Luo
9,588,407 B1	3/2017	Harrison	D857,076 S	8/2019	Gan
D785,692 S	5/2017	Wang	D859,498 S	9/2019	Lin
D785,695 S	5/2017	Woodman	D861,592 S	10/2019	Venugopal
D785,696 S	5/2017	Parfitt	D861,761 S	10/2019	Bergman
D785,697 S	5/2017	Costa	D861,765 S	10/2019	Muhlenkamp, IV
D788,835 S	6/2017	Wu	D861,766 S	10/2019	Lim
D789,435 S	6/2017	Nguyen	D863,404 S	10/2019	Karpenko
D790,001 S	6/2017	Parfitt	D864,275 S	10/2019	Huang
D790,002 S	6/2017	Nguyen	D865,843 S	11/2019	Hu
D790,454 S	6/2017	Lee	D865,844 S	11/2019	Jalala
D791,211 S	7/2017	Fujita	D865,845 S	11/2019	Sakai
D791,695 S	7/2017	Bergman	D867,420 S	11/2019	Zhang
D791,848 S	7/2017	Zhu	D867,427 S	11/2019	Bai
D792,919 S	7/2017	Ryu	D868,871 S	12/2019	Nguyen
D793,463 S	8/2017	Houin	D868,874 S	12/2019	Muhlenkamp, IV
D794,554 S	8/2017	Chang	D869,844 S	12/2019	Eliyahu
D794,695 S	8/2017	Zhang	D870,176 S	12/2019	Hokari

US D989,841 S

D870,183 S	12/2019	Tsukamoto	2011/0042530 A1	2/2011	Phillips
D871,480 S	12/2019	Hu	2011/0129210 A1	6/2011	McGucken
10,523,925 B2	12/2019	Woodman	2011/0216195 A1	9/2011	Tanaka
D872,156 S	1/2020	Zhao	2011/0223447 A1	9/2011	Ignor
D872,162 S	1/2020	Gao	2011/0317065 A1	12/2011	Lin
10,536,615 B2	1/2020	Campbell	2013/0186310 A1	7/2013	Lymbberis
D876,521 S	2/2020	Costa	2013/0200768 A1	8/2013	Miura
10,574,871 B2	2/2020	Abbas	2013/0321696 A1	12/2013	Bae
D880,561 S	4/2020	Muhlenkamp	2014/0060582 A1	3/2014	Hartranft
D880,567 S	4/2020	Zhang	2014/0160349 A1	6/2014	Huang
D880,569 S	4/2020	Zhang	2015/0022717 A1	1/2015	Coons
D881,974 S	4/2020	Nguyen	2015/0122849 A1	5/2015	Jones
D882,666 S	4/2020	Tsukamoto	2015/0189131 A1	7/2015	Woodman
D884,597 S	5/2020	Pilliod	2015/0316835 A1	11/2015	Scott
D887,970 S	6/2020	Himeno	2015/0318579 A1	11/2015	Kwon
D890,709 S	7/2020	Lim	2016/0116828 A1	4/2016	Clearman
D890,835 S	7/2020	Nguyen	2016/0119516 A1	4/2016	Clearman
D892,194 S	8/2020	Nguyen	2016/0131963 A1	5/2016	Clearman
D892,905 S	8/2020	Nguyen	2016/0209731 A1	7/2016	Song
D893,578 S	8/2020	Denby	2016/0274338 A1	9/2016	Davies
D894,256 S	8/2020	Vitale	2017/0059967 A1	3/2017	Harrison
D897,400 S	9/2020	Liu	2017/0111559 A1	4/2017	Abbas
D897,403 S	9/2020	Liu	2017/0150236 A1	5/2017	Newman
D897,408 S	9/2020	Tsukamoto	2017/0195550 A1	7/2017	Kim
10,768,508 B1	9/2020	Woodman	2017/0289413 A1	10/2017	Samuels
D900,911 S	11/2020	Muhlenkamp, IV	2017/0324890 A1	11/2017	Moskovchenko
D903,740 S	12/2020	Au	2018/0039162 A1	2/2018	Ali
D906,396 S	12/2020	Schaarschmidt	2018/0081258 A1	3/2018	Clyne
D907,101 S	1/2021	Coster	2018/0084194 A1	3/2018	Woodman
D907,680 S	1/2021	Nguyen	2018/0084215 A1	3/2018	Jing
D907,682 S	1/2021	Sjögren	2018/0102123 A1	4/2018	Tisch
D911,412 S	2/2021	Alberstein	2018/0103189 A1	4/2018	Nguyen
D911,418 S	2/2021	Yap	2018/0103190 A1	4/2018	Nguyen
D912,120 S	3/2021	Druker	2018/0146122 A1	5/2018	Campbell
D920,419 S	5/2021	Muhlenkamp, IV	2018/0198989 A1	7/2018	MacMillan
D921,086 S	6/2021	Li	2018/0262682 A1	9/2018	Wang
D921,737 S	6/2021	Liang	2019/0179214 A1	6/2019	Hara
D921,740 S	6/2021	Coster	2020/0159091 A1	5/2020	Vitale
D923,075 S	6/2021	Grant	2020/0184690 A1	6/2020	Guérin
D925,643 S	7/2021	Hsu	2020/0204721 A1	6/2020	Douady
D926,243 S	7/2021	Tsukamoto	2020/0204772 A1	6/2020	Gounelle
D928,863 S	8/2021	Alberstein	2020/0218136 A1	7/2020	Au
D935,507 S	11/2021	Li	2020/0221010 A1	7/2020	Douady
D939,608 S	12/2021	Han	2020/0221219 A1	7/2020	Hardin
D939,610 S	12/2021	Han	2020/0259978 A1	8/2020	Abbas
D940,066 S	1/2022	Venugopal			
D941,904 S	1/2022	Coster			
D942,373 S	2/2022	Ruffing			
D943,654 S	2/2022	Jiang			
D946,074 S *	3/2022	Muhlenkamp, IV	CA	168972	4/1916
D947,920 S	4/2022	Muhlenkamp	CN	1531337 A	9/2004
D949,222 S	4/2022	Bergman	CN	1892403 A	1/2007
D950,624 S *	5/2022	Muhlenkamp, IV	CN	101078859 A	11/2007
D950,628 S	5/2022	Au	CN	101331815 A	12/2008
D950,629 S	5/2022	Muhlenkamp	CN	102005552 A	4/2011
D956,123 S	6/2022	Muhlenkamp	CN	207083334 U	3/2018
D963,017 S	9/2022	Muhlenkamp	CN	207531231 U	6/2018
D963,726 S	9/2022	Au	EP	0031985220005	2/2018
D980,302 S	3/2023	Han	JP	H05304625 A	11/1993
2001/0034163 A1	10/2001	Chiang	JP	2001217564 A	8/2001
2002/0046218 A1	4/2002	Gilbert	JP	2003142841 A	5/2003
2002/0090212 A1	7/2002	Shimamura	JP	2007057997 A	3/2007
2002/0136557 A1	9/2002	Shimamura	JP	1595273	1/2018
2003/0156212 A1	8/2003	Kingetsu	JP	1595299	1/2018
2004/0223752 A1	11/2004	Ghanouni	JP	2018107558 A	7/2018
2005/0019029 A1	1/2005	Kawakami			
2005/0208345 A1	9/2005	Yoon			
2005/0212959 A1	9/2005	Manabe			
2006/0233545 A1	10/2006	Senba			
2006/0257137 A1	11/2006	Fromm			
2007/0019948 A1	1/2007	Terada			
2007/0071423 A1	3/2007	Fantone			
2007/0140686 A1	6/2007	Misawa			
2008/0117328 A1	5/2008	Daoud			
2008/0248703 A1	10/2008	Russell			
2009/0032420 A1	2/2009	Zenzai			
2010/0060747 A1	3/2010	Woodman			
2010/0061711 A1	3/2010	Woodman			
2011/0001834 A1	1/2011	Herrell			

FOREIGN PATENT DOCUMENTS

CA	168972	4/1916
CN	1531337 A	9/2004
CN	1892403 A	1/2007
CN	101078859 A	11/2007
CN	101331815 A	12/2008
CN	102005552 A	4/2011
CN	207083334 U	3/2018
CN	207531231 U	6/2018
EP	0031985220005	2/2018
JP	H05304625 A	11/1993
JP	2001217564 A	8/2001
JP	2003142841 A	5/2003
JP	2007057997 A	3/2007
JP	1595273	1/2018
JP	1595299	1/2018
JP	2018107558 A	7/2018

OTHER PUBLICATIONS

“FlyHi Battery”. Found online Nov. 2, 2021 at amazon.com. Reference dated Nov. 21, 2016. 3 pages. Retrieved from <https://www.amazon.com/dp/B01MTQ9D74?tag=toptenbest-20>. (Year: 2016).

“GoPro Rechargeable Battery”. Found online Mar. 10, 2022 at amazon.co.uk Reference dated Oct. 7, 2016. 4 pages. Retrieved from <https://www.amazon.co.uk/GoPro-Rechargeable-Battery-Official-Accessory-Black/dp/B01MOPV67H/?th=1>. (Year: 2016).

“Newmowa Rechargeable Battery” Found online Mar. 14, 2022 at amazon.co.uk. Reference dated Mar. 26, 2017. 6 pages. Retrieved from <https://www.amazon.co.uk/Newmowa-Rechargeable-AHDBT-302-Replacement-3-Channel/dp/B06XW6R74Z>. (Year: 2017).

“Tectra Battery”. Found online Mar. 10, 2022 at joom.com. Reference dated Jun. 6, 2019. 3 pages. Retrieved from <https://www.joom.com/en/products/5c9356006ecda80101b7f260>. (Year: 2019).

“Telesin Batteries”. Found online Mar. 10, 2022 at amazon.com Reference dated Mar. 29, 2019. 3 pages. Retrieved from <https://www.amazon.com/TELESIN-Replacement-Batteries-Function-Waterproof/dp/B07Q4C1MST>.(Year: 2019).

Alex NLD AHDBT501 TinEye. Tineye.com [published Jan. 13, 2017][online][Accessed Feb. 28, 2017]<Url:<https://tineye.com/search/a068519109ac11d29440a513c6a88863d1-dc6e51/?extension.sub.-ver=chrome-1.1.5>>, 4 pages.

Amazon.com: Ailuki Rechargeable Battery 1490MAH 2 Pack and 3-Channel Charger for GoPro Hero. Published Jun. 22, 2017. Retrieved from the internet at <<https://www.annazon.com/Rechargeable-Battery-3-Channel-Compatible-Original/dp/B0734J76NN/>>, Jan. 19, 2019. 1 page. (Year: 2017).

Amazon.com: GoPro Battery (Fusion) . . . Date First Available of Feb. 1, 2018. Retrieved from the internet at <<https://www.amazon.com/GoPro-Camera-ASBBA-001-Fusion-Battery/dp/B078XY2L42/>>, Sep. 14, 2020. 1 page. (Year: 2018).

Chinese Office Action, Chinese Application No. 201430488714.2, Mar. 12, 2015, 3 pages.

Design U.S. Appl. No. 29/631,230, filed Feb. 28, 2017, Huy Phuong Nguyen et al., 82 pages.

Design U.S. Appl. No. 29/663,435, filed Sep. 14, 2018, Au et al., 68 pages.

Design U.S. Appl. No. 29/694,559, filed Jun. 11, 2019, Coster et al., 27 pages.

Design U.S. Appl. No. 29/699,945, filed Jul. 30, 2019, Huy Phuong Nguyen et al., 11 pages.

International Search Report and Written Opinion for App. No. PCT/CN2020/099915, dated Mar. 25, 2021, 10 pages.

International Search Report and Written Opinion for App. No. PCT/US2020/050479 dated Dec. 3, 2020, 6 pages.

International Search Report and Written Opinion for App. No. PCT/US2020/050483 dated Nov. 12, 2020, 9 pages.

Kingma Ebay. Ebay.com. [published Nov. 10, 2016][online][Accessed Feb. 28, 2017]<URL:<http://www.ebay.com/itm/KingMa-AHDBT-501-Li-ion-Battery-1220-mAh-Dual-Charger-For-Gopro-Hero-5-Camera-/272413104511>>, 4 pages.

Office Action for Taiwanese Patent Application No. TW 103304745, dated Jan. 28, 2016, 3 Pages.

PCT International Search Report and Written Opinion for PCT/US2014/058465, dated Dec. 23, 2014, 17 pages.

PCT International Search Report and Written Opinion for PCT/US2014/070655, dated Apr. 29, 2015, 13 Pages.

Shophthewall Tin Eye. Tineye.com[published Feb. 9, 2017][online][Accessed Feb. 27, 2017]. <URL:<https://tineye.com/search/2432380143a2cf364f8dd9e5150bce62a316525-f/?extension.sub.-ver=chrome-1.1.5>>, 4 pages.

United States Office Action for U.S. Appl. No. 14/148,536, dated Jul. 9, 2014, 9 pages.

United States Office Action for U.S. Appl. No. 14/536,683, dated Dec. 18, 2014, 14 Pages.

United States Office Action for U.S. Appl. No. 14/536,683, dated Jun. 9, 2015, 16 pages.

United States Office Action for U.S. Appl. No. 14/536,683, dated Sep. 21, 2015. 15 Pages.

United States Office Action, U.S. Appl. No. 29/576,880, dated Mar. 9, 2017, 13 pages.

youtube.com: Ailuki Battery Charger for GoPro Hero 5/6/7 at ~9 seconds; published by Jake Wipp on Mar. 15, 2019; retrieved from the internet at <<<https://www.youtube.com/watch?v=M13sf6NBkVE><< on Apr. 24, 2019; 1 page.

* cited by examiner

Primary Examiner — Ramzi Almatrahi

(74) *Attorney, Agent, or Firm* — Young Basile Hanlon & MacFarlane, P.C.

(57)

CLAIM

The ornamental design for a camera, as shown and described.

DESCRIPTION

FIG. 1 is a top, front, and right side perspective view of a camera showing our new design;

FIG. 2 is a bottom, rear, and left side perspective view thereof;

FIG. 3 is a front elevation view thereof;

FIG. 4 is a rear elevation view thereof;

FIG. 5 is a right side elevation view thereof;

FIG. 6 is a left side elevation view thereof;

FIG. 7 is a top plan view thereof; and,

FIG. 8 is a bottom plan view thereof.

The broken lines depict portions of the camera in which the design is embodied that form no part of the claimed design.

1 Claim, 8 Drawing Sheets

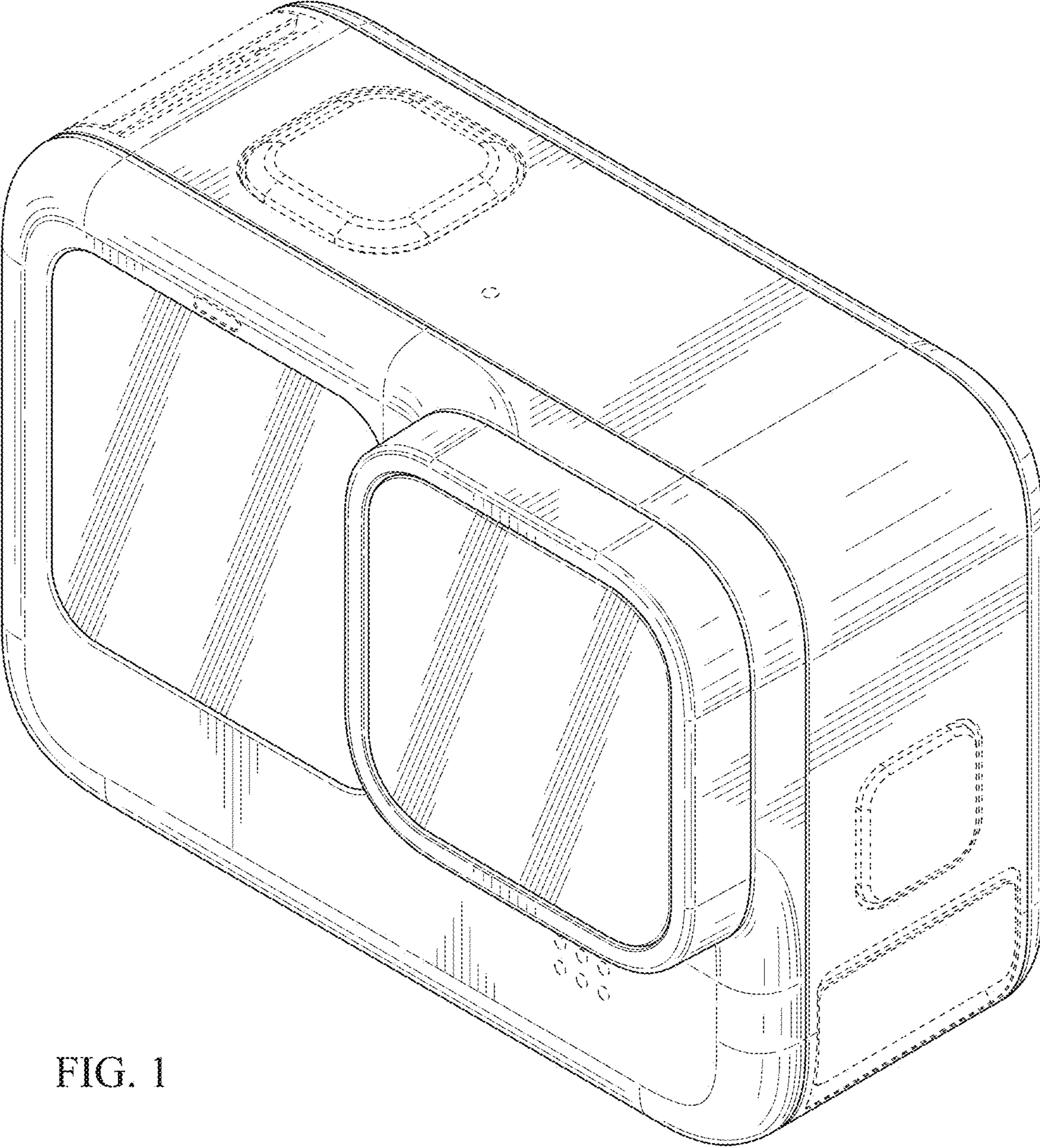


FIG. 1

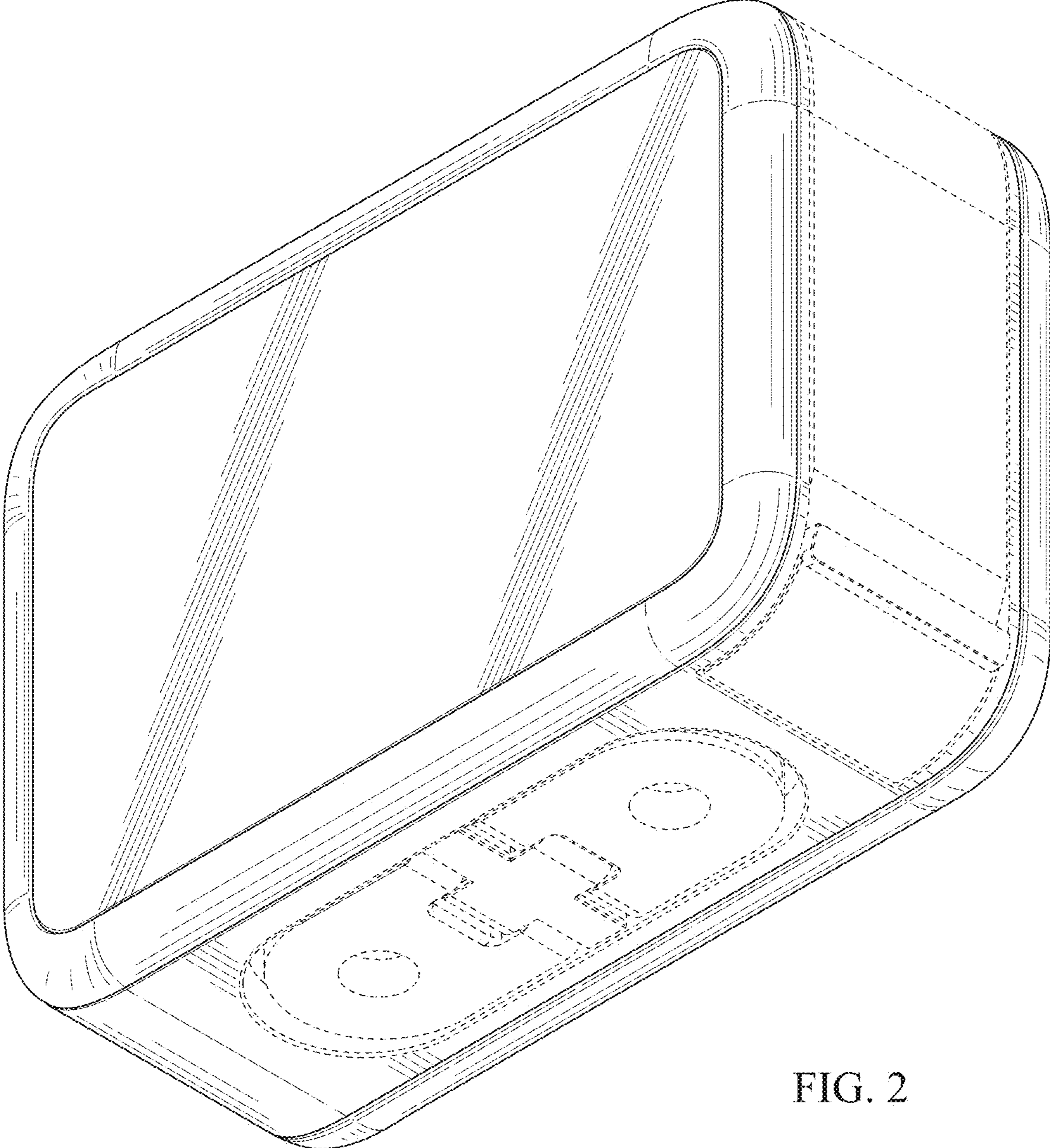


FIG. 2

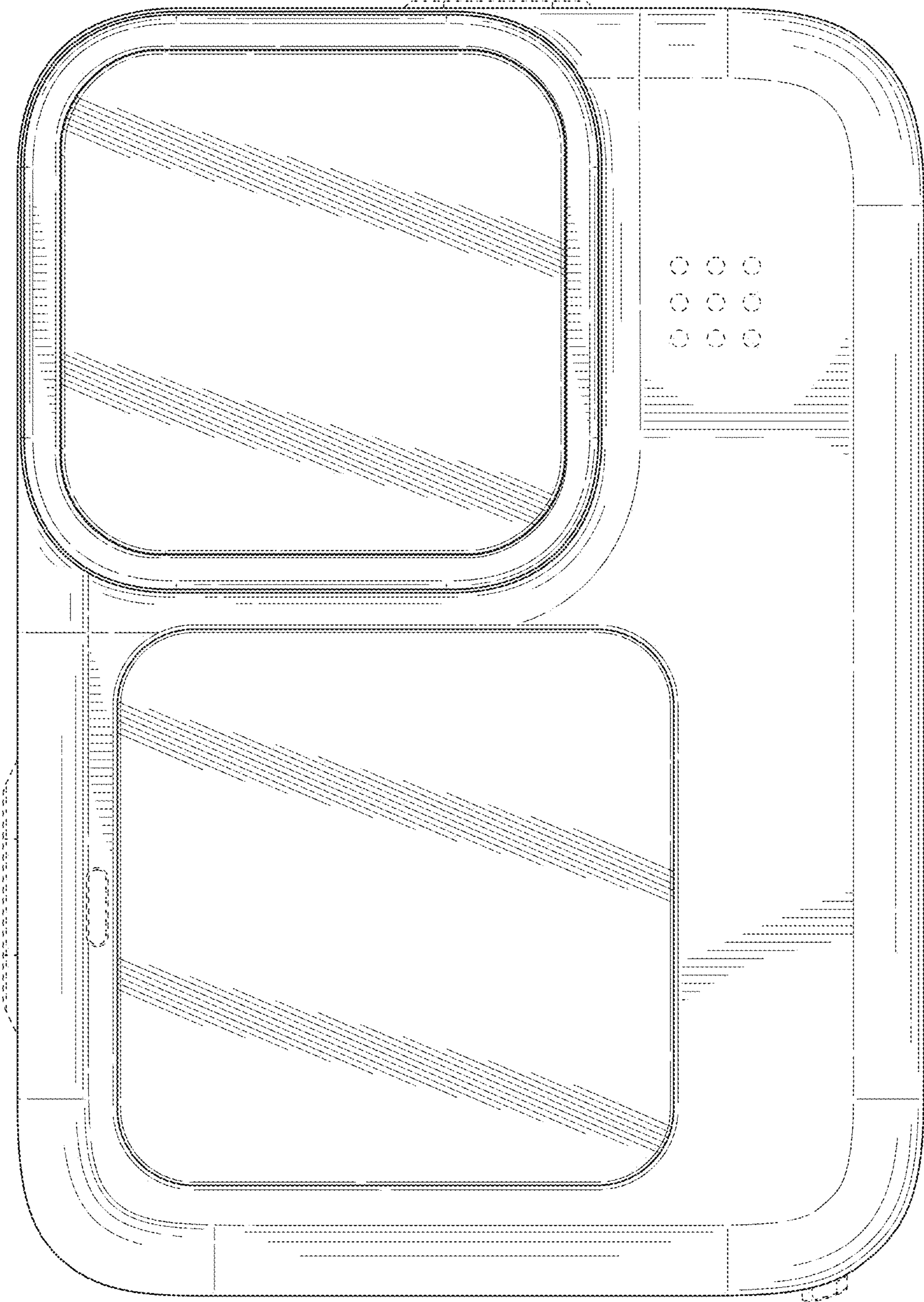


FIG. 3

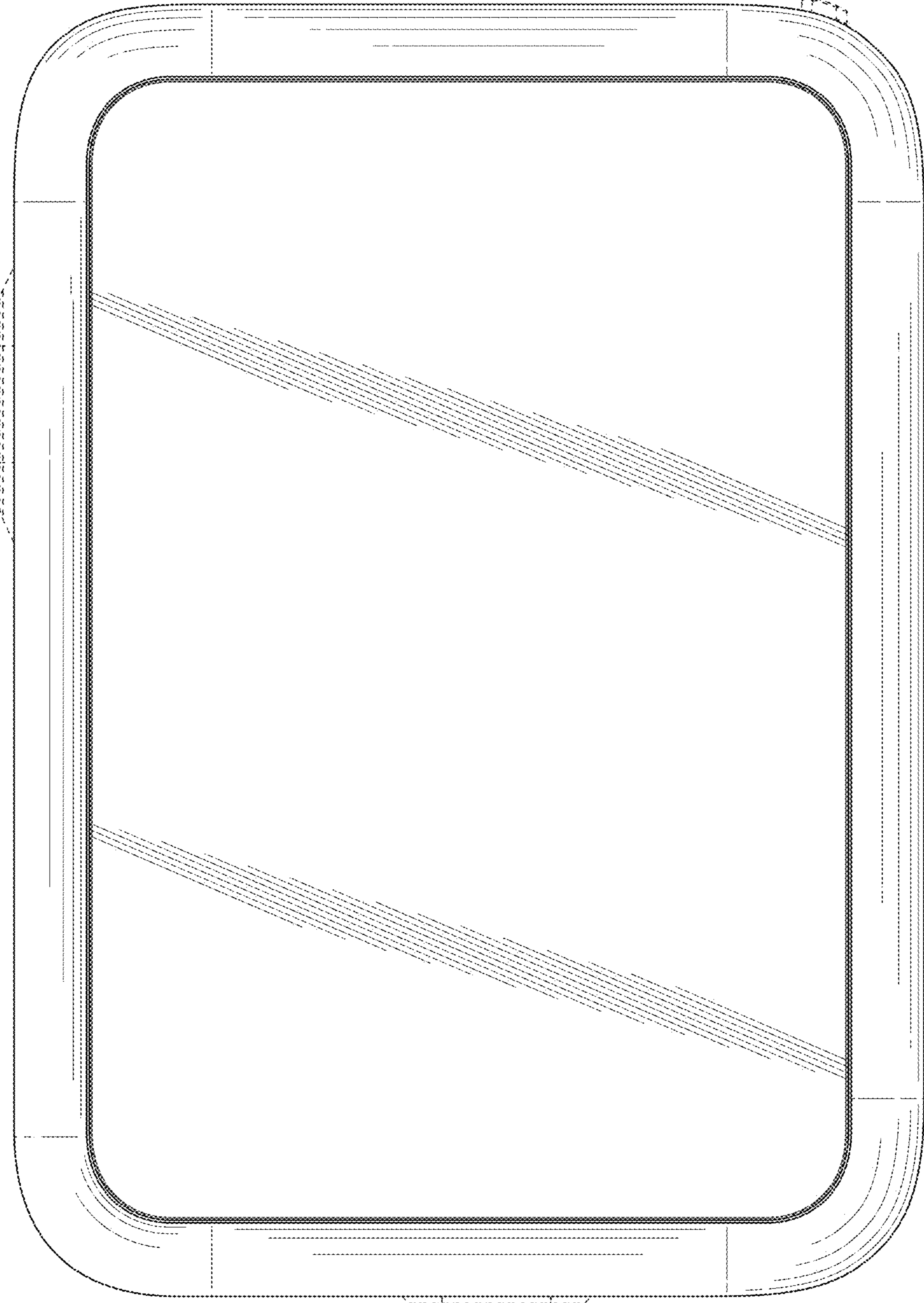


FIG. 4

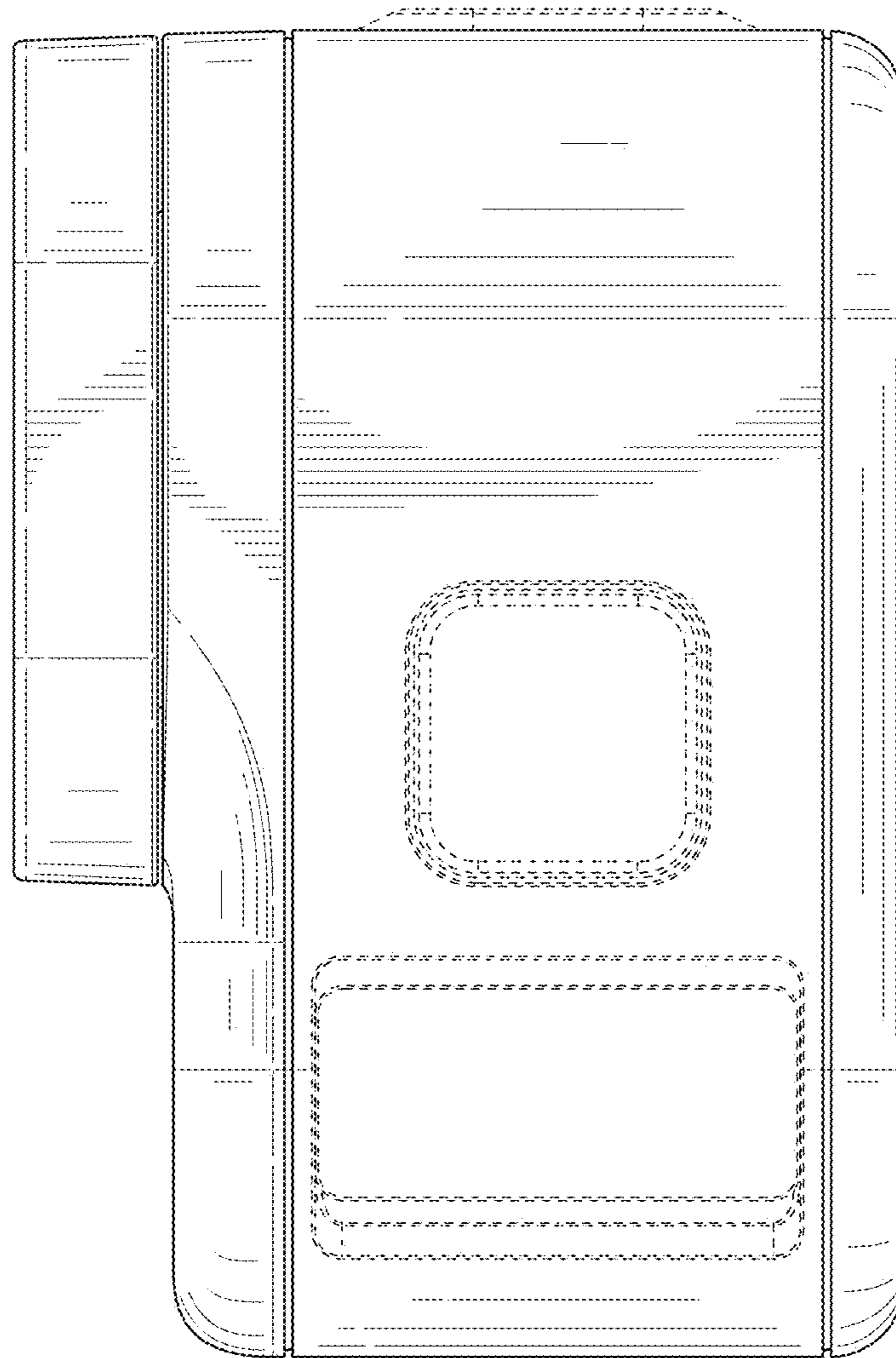


FIG. 5

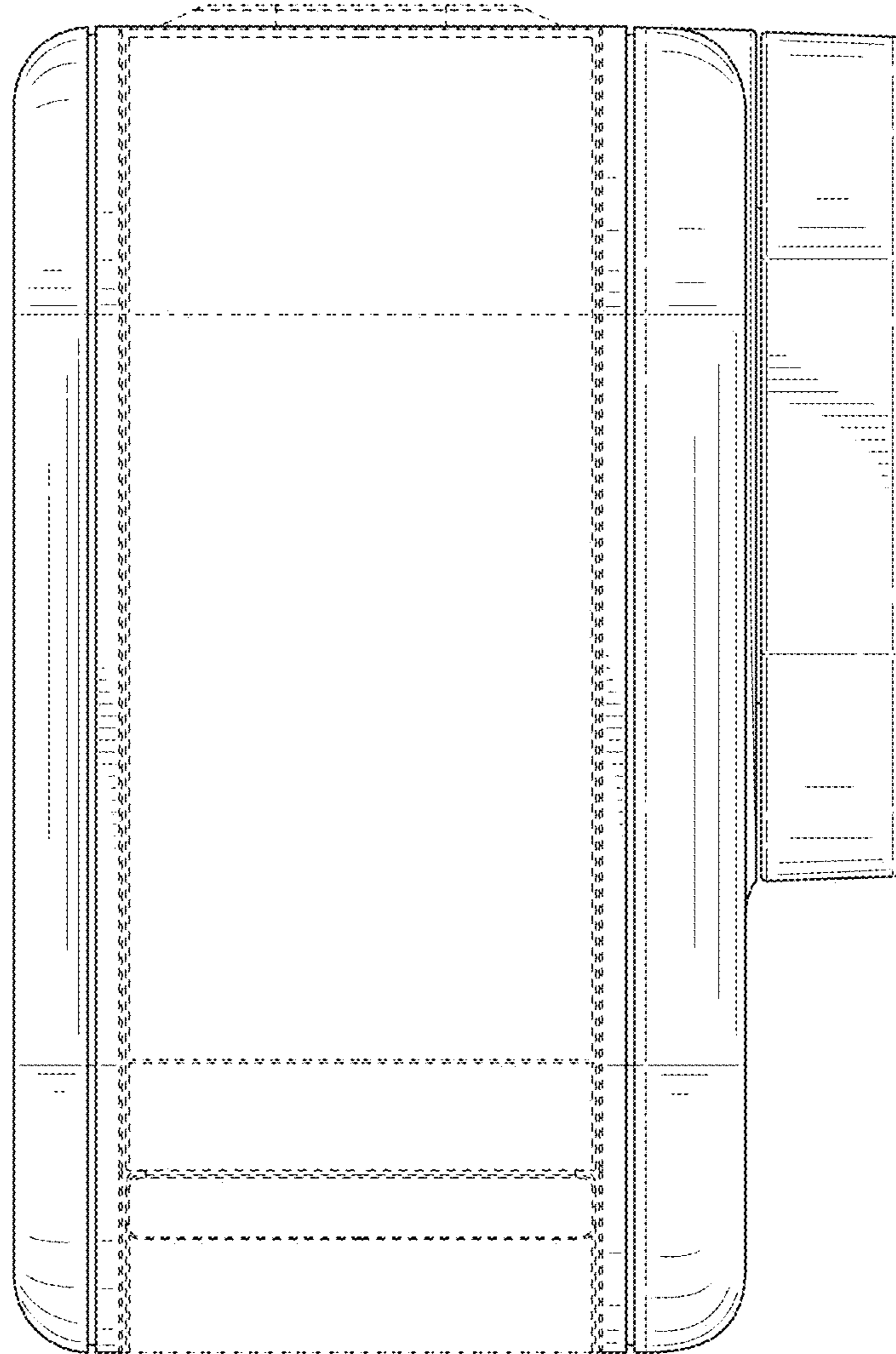


FIG. 6

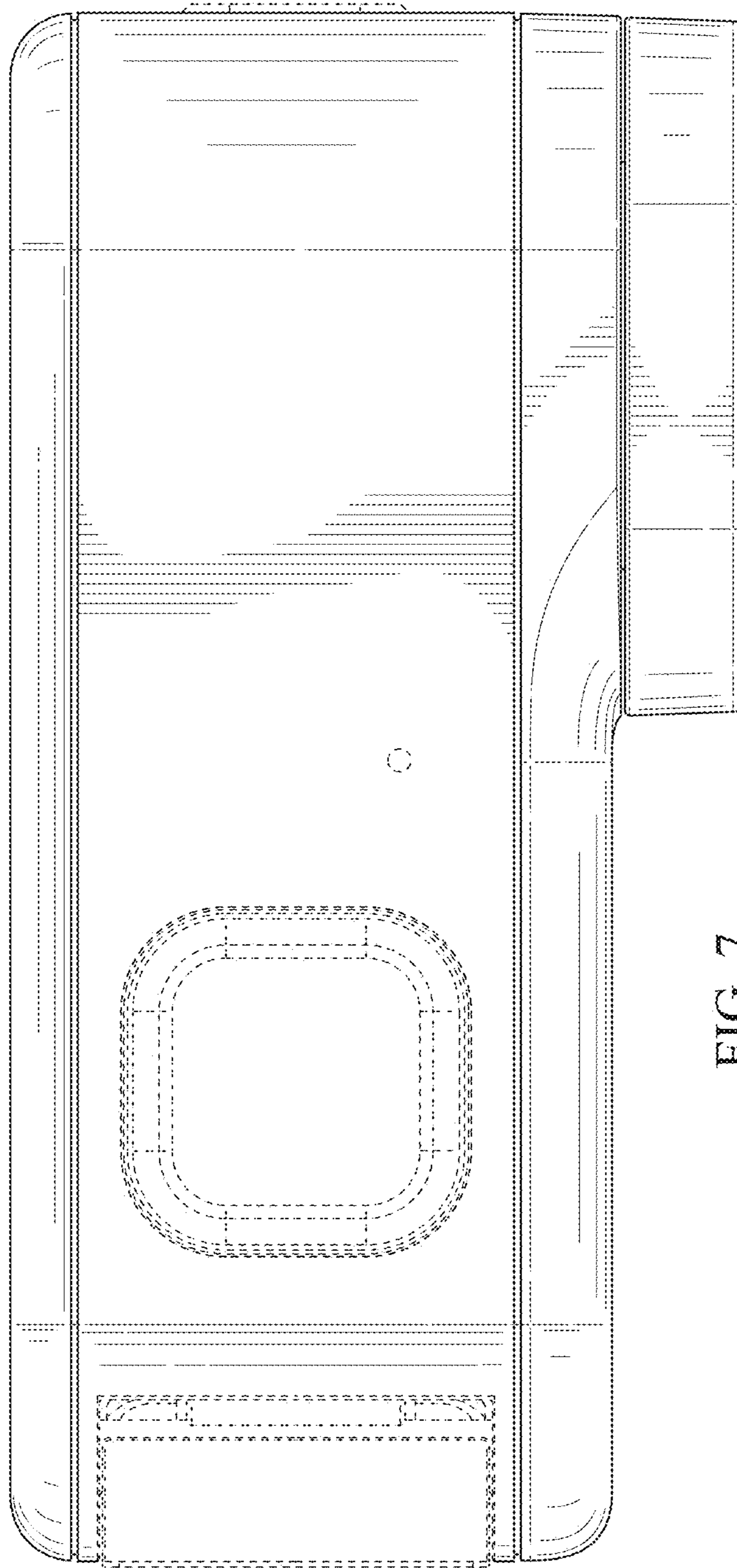


FIG. 7

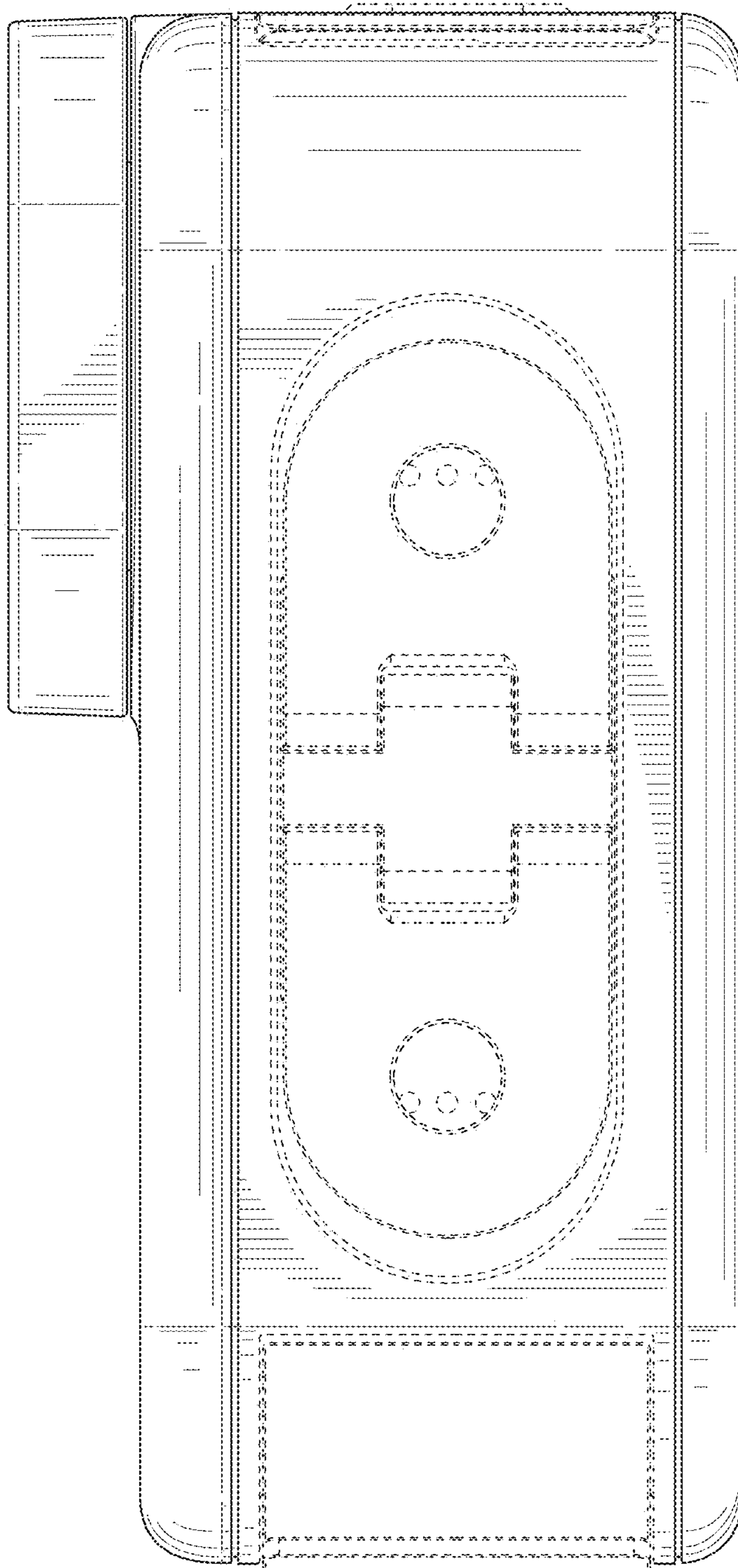


FIG. 8