



US00D989840S

(12) **United States Design Patent**
Huang

(10) **Patent No.:** **US D989,840 S**

(45) **Date of Patent:** **** Jun. 20, 2023**

(54) **DASH CAM**

(71) Applicant: **MiTAC Digital Technology Corporation, Taoyuan (TW)**

(72) Inventor: **Zen Jia Huang, Taoyuan (TW)**

(73) Assignee: **MITAC DIGITAL TECHNOLOGY CORPORATION, Taoyuan (TW)**

(**) Term: **15 Years**

(21) Appl. No.: **29/827,596**

(22) Filed: **Feb. 21, 2022**

(30) **Foreign Application Priority Data**

Aug. 23, 2021 (TW) 110304443

(51) **LOC (14) Cl.** **16-01**

(52) **U.S. Cl.**
USPC **D16/208**

(58) **Field of Classification Search**

USPC D16/200–208, 210, 214, 218, 219
CPC G03B 15/03; G03B 17/02; G03B 17/04;
G03B 17/56; G03B 19/04; H04N 5/2251;
H04N 5/2252; H04N 5/2253; H04N
5/2254; H04N 2101/00; H04N 23/50;
H04N 23/51; H04N 23/54; H04N 23/55;
H04N 23/63

See application file for complete search history.

(56) **References Cited**

U.S. PATENT DOCUMENTS

D756,436 S * 5/2016 Ku D16/218
D822,747 S * 7/2018 Van Deusen D16/208

D852,253 S * 6/2019 Lee D16/208
D861,764 S * 10/2019 Zhao D16/208
D875,803 S * 2/2020 Yuan D16/202
D881,254 S * 4/2020 Guo D16/202
D884,053 S * 5/2020 Lee D16/208
D925,643 S * 7/2021 Hsu D16/208
D930,061 S * 9/2021 He D16/202
D978,950 S * 2/2023 Zhou D16/208
D982,062 S * 3/2023 Kishimoto D16/208

* cited by examiner

Primary Examiner — Ramzi Almatrahi

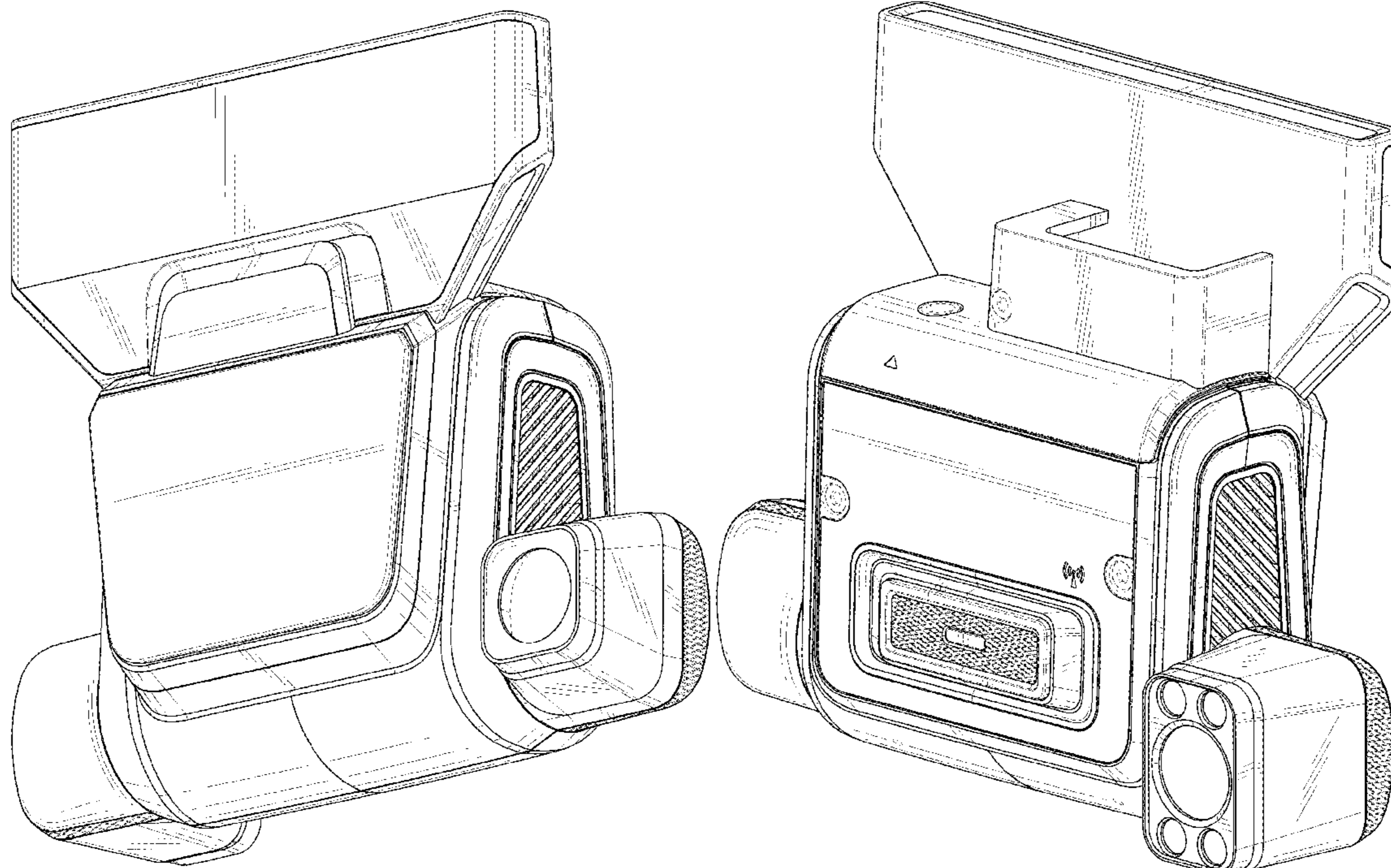
(57) **CLAIM**

The ornamental design for a dash cam, as shown and described.

DESCRIPTION

FIG. 1 is a bottom, front and right side perspective view of a dash cam showing my new design;
FIG. 2 is a front elevational view thereof;
FIG. 3 is a rear elevational view thereof;
FIG. 4 is a left side elevational view thereof;
FIG. 5 is a right side elevational view thereof;
FIG. 6 is a top plan view thereof;
FIG. 7 is a bottom plan view thereof; and,
FIG. 8 is a top, rear and left side perspective view thereof.
The broken lines depict portions of the dash cam in which the design is embodied that form no part of the claimed design.

1 Claim, 8 Drawing Sheets



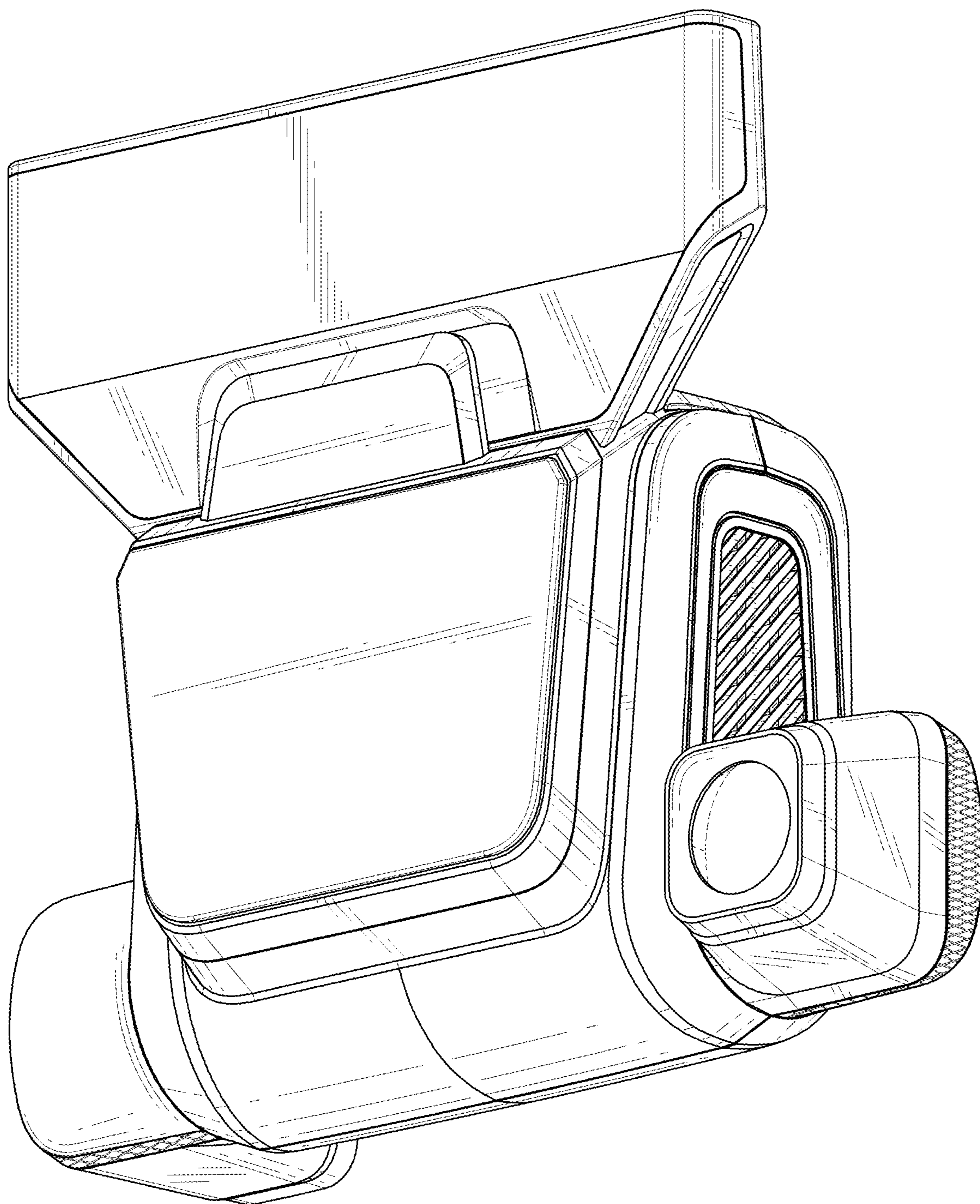


FIG. 1

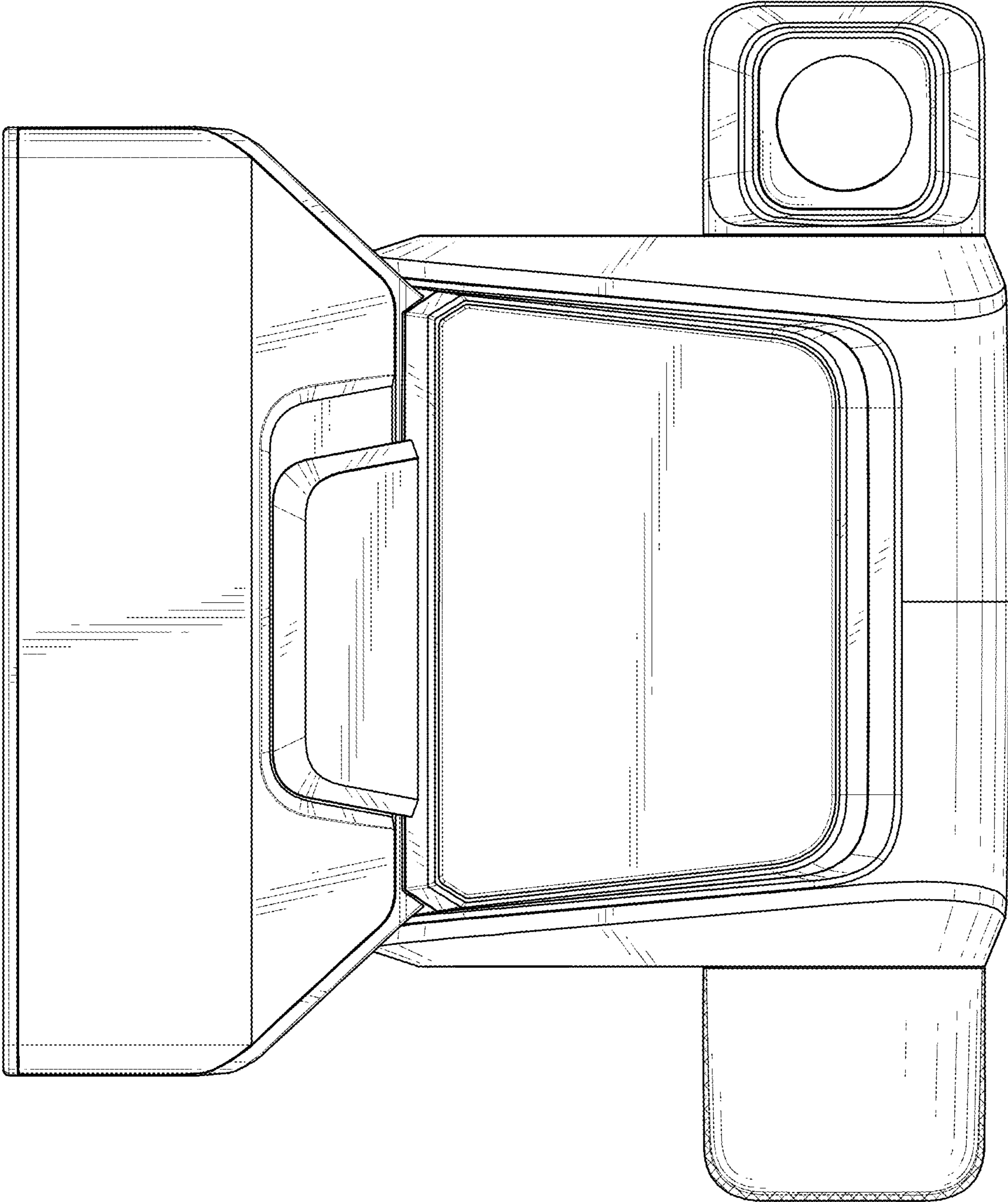


FIG. 2

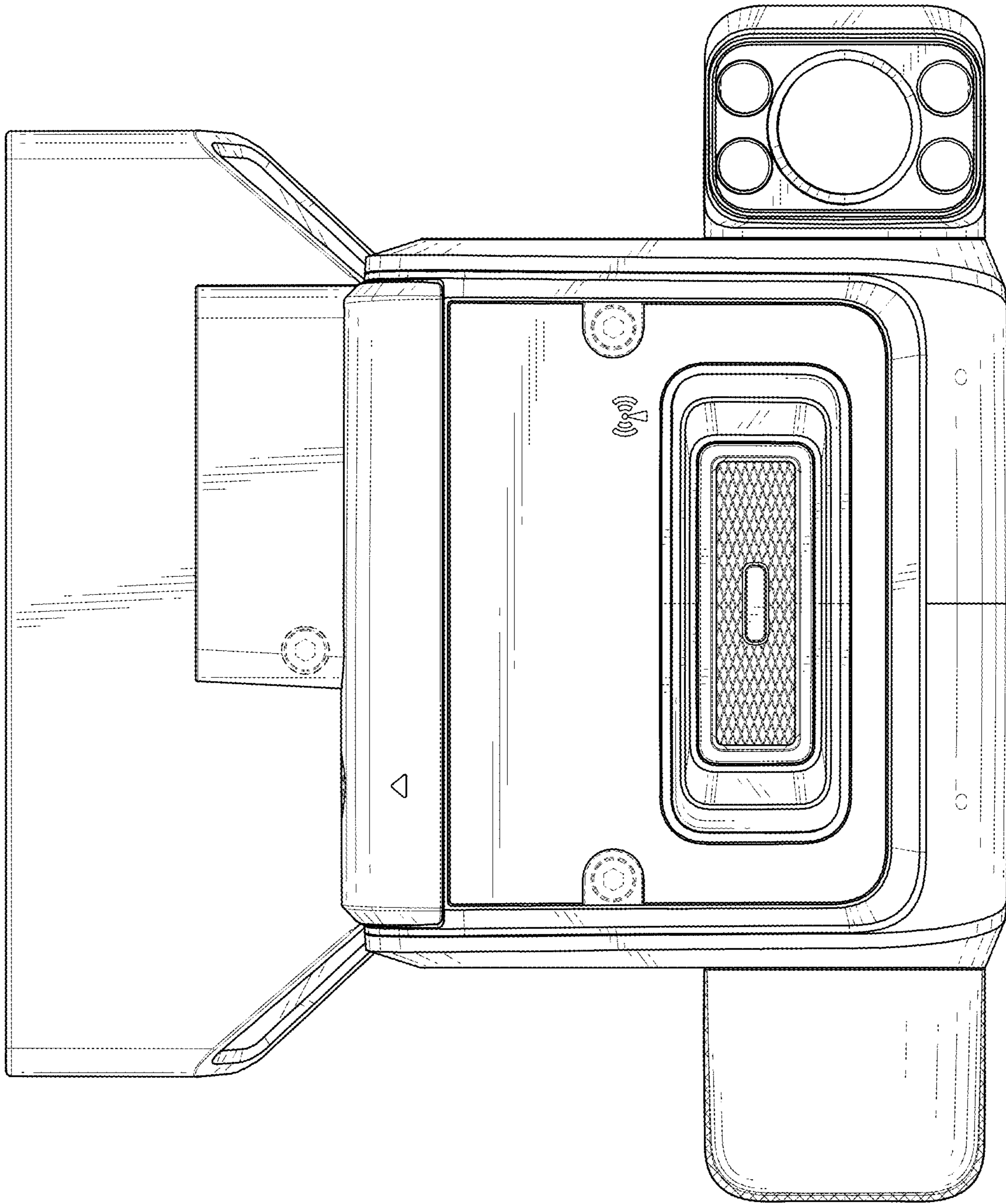


FIG. 3

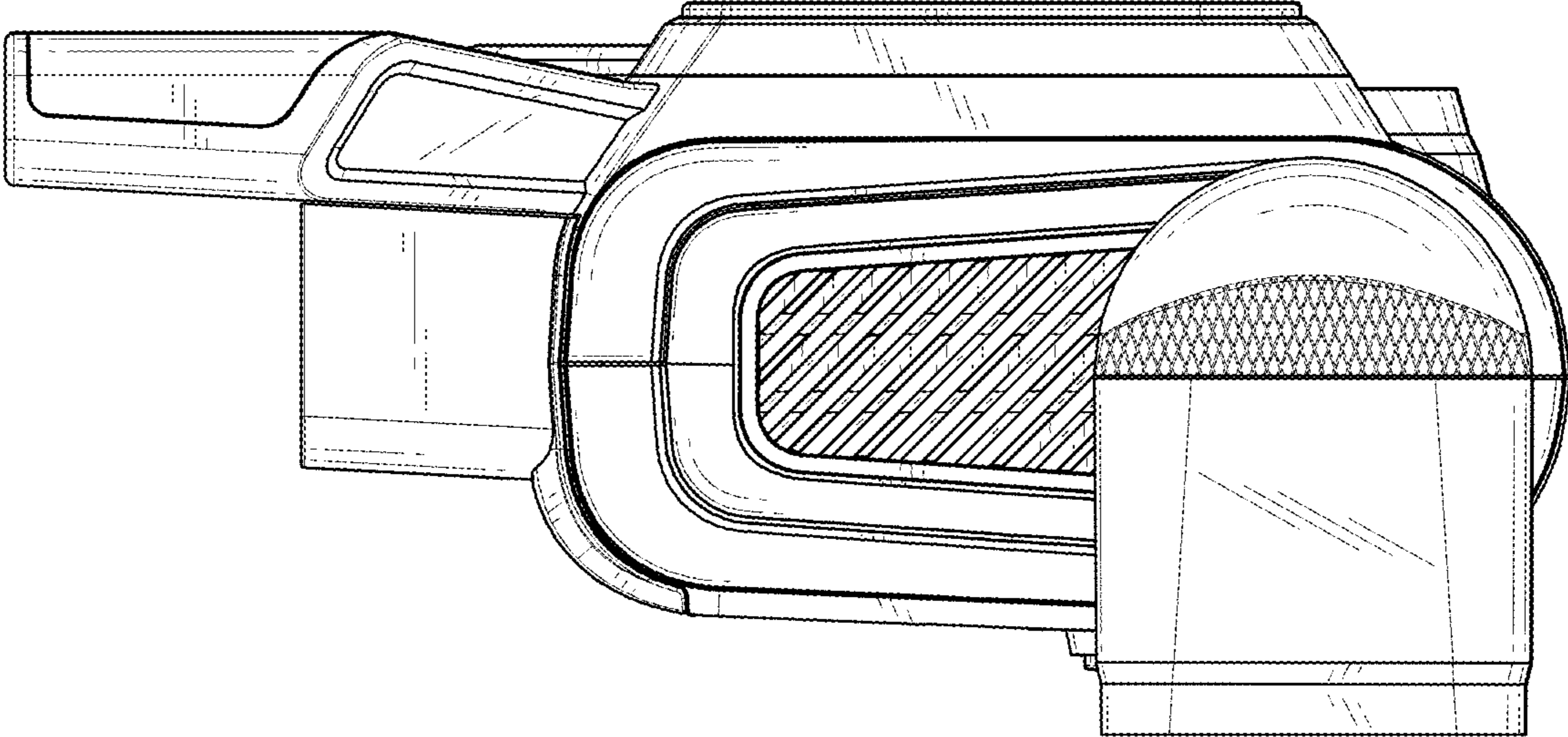


FIG. 4

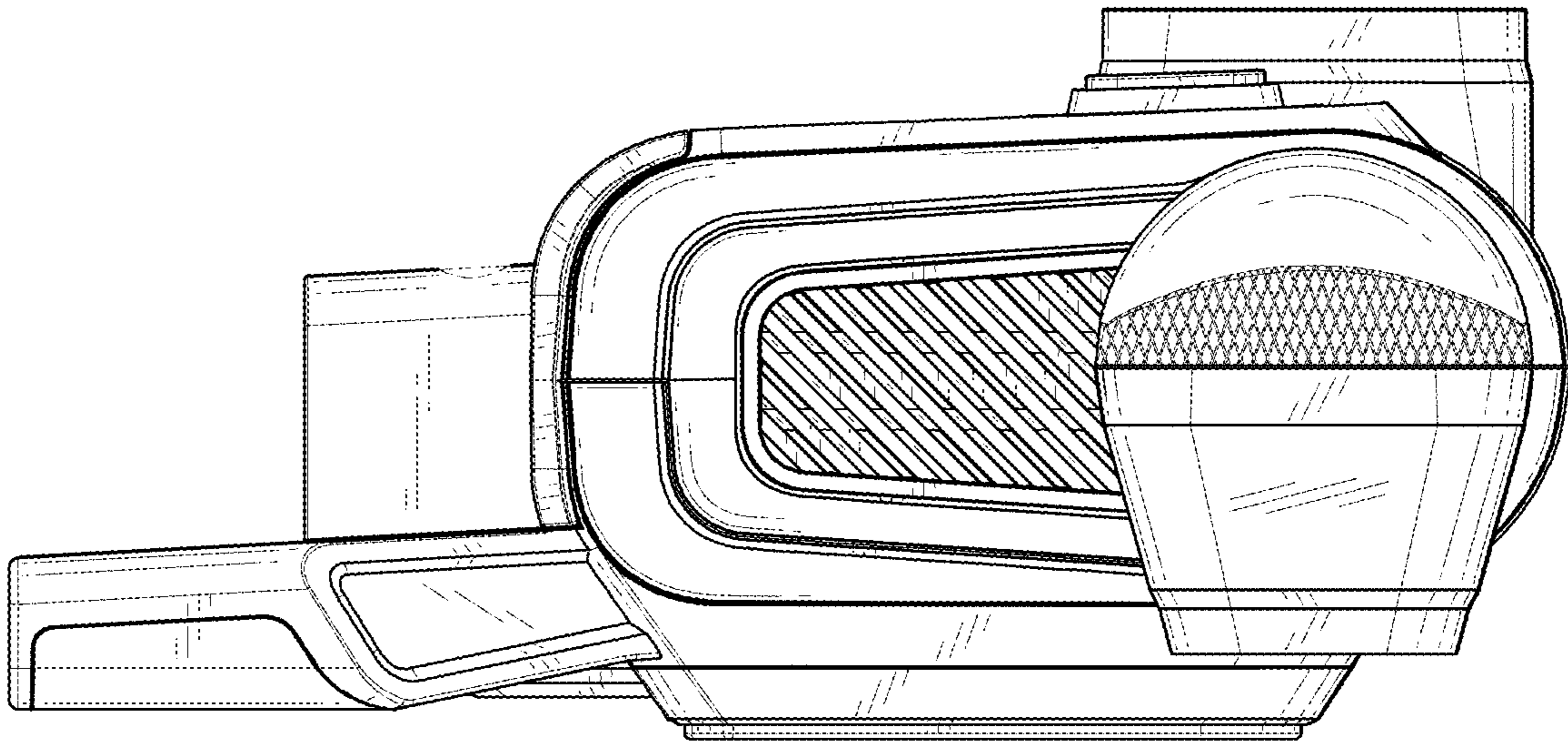


FIG. 5

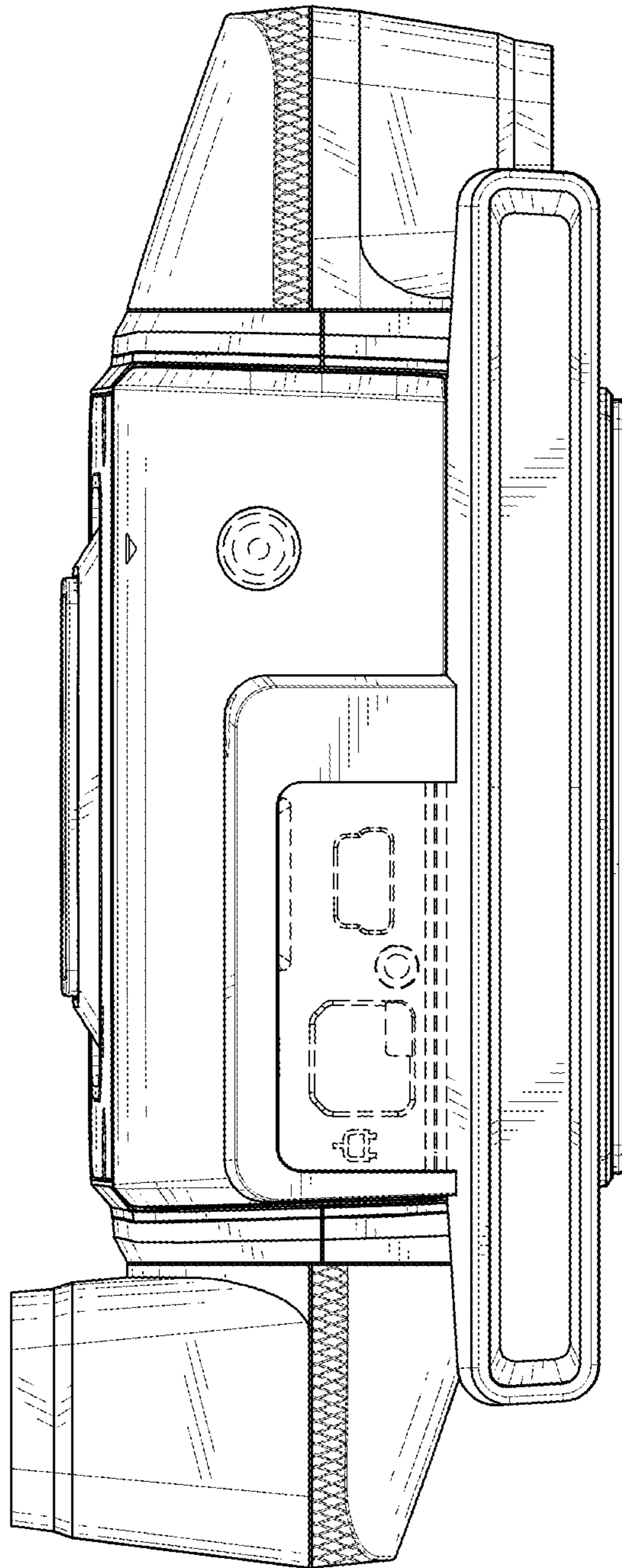


FIG. 6

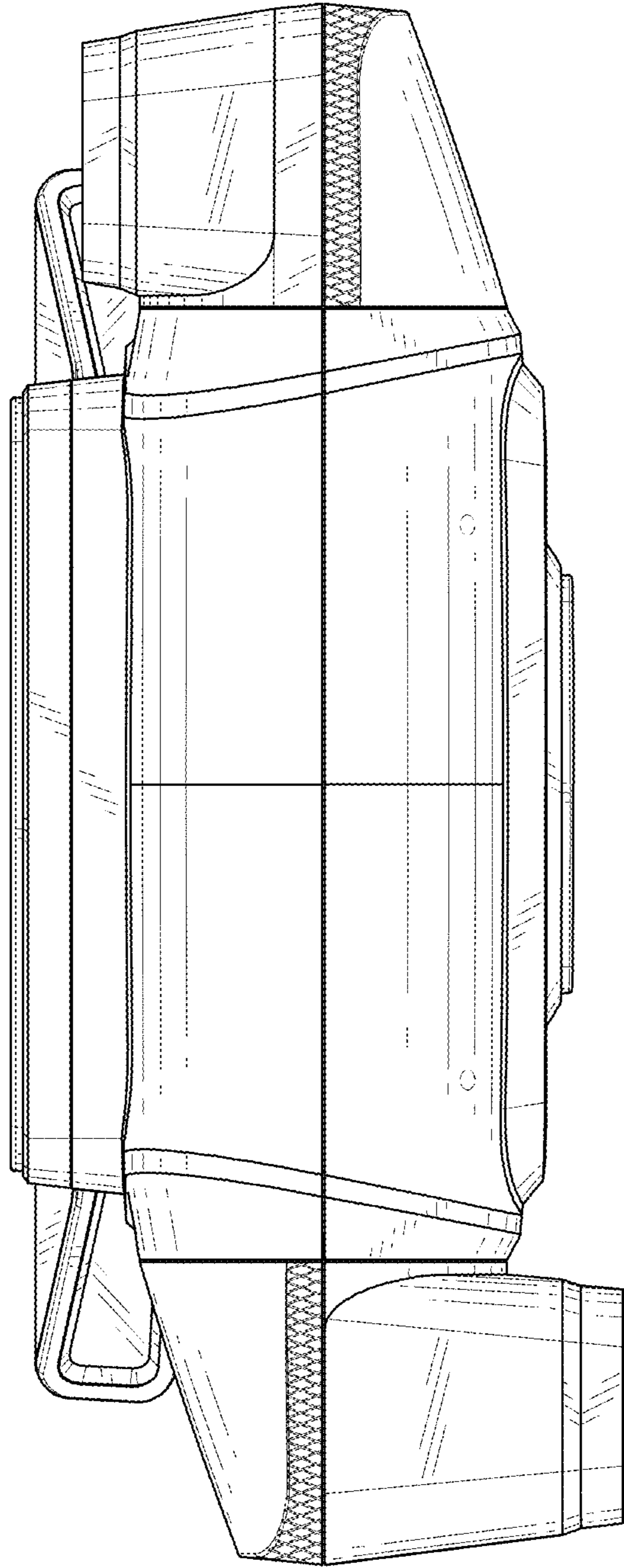


FIG. 7

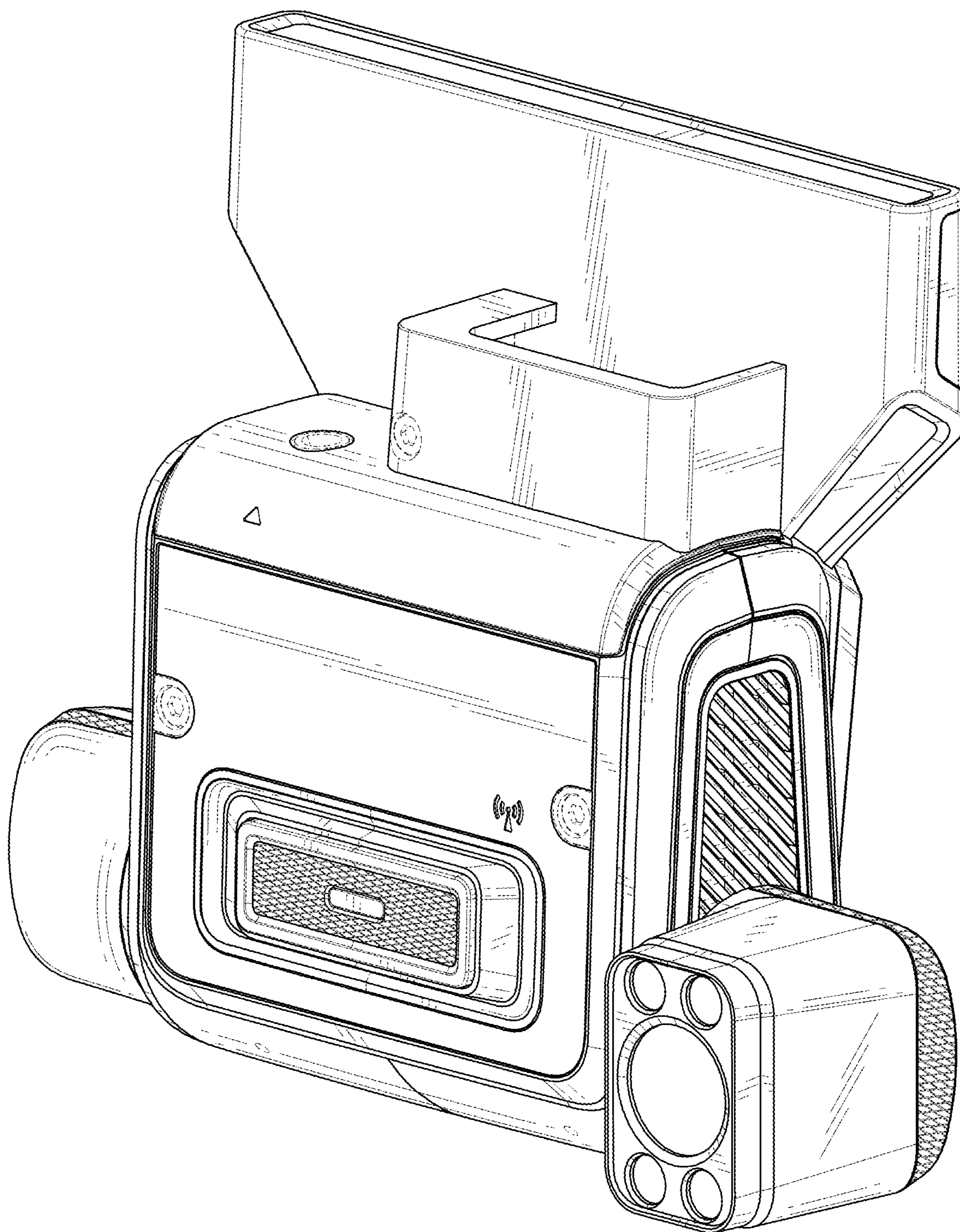


FIG. 8