



US00D989836S

(12) **United States Design Patent**
Takahashi

(10) **Patent No.:** **US D989,836 S**
(45) **Date of Patent:** **** Jun. 20, 2023**

(54) **BINOCULARS**

(71) Applicant: **FUJIFILM Corporation**, Tokyo (JP)

(72) Inventor: **Keiichiro Takahashi**, Saitama (JP)

(73) Assignee: **FUJIFILM Corporation**, Tokyo (JP)

(**) Term: **15 Years**

(21) Appl. No.: **29/810,121**

(22) Filed: **Oct. 1, 2021**

(30) **Foreign Application Priority Data**

Apr. 9, 2021 (JP) 2021-0074941 D

(51) **LOC (14) Cl.** **16-06**

(52) **U.S. Cl.**
USPC **D16/133**

(58) **Field of Classification Search**
USPC D16/130, 132-134, 136, 137; D10/46,
D10/70
CPC G02B 23/18; G02B 2027/0132; G02B
25/004; G02B 21/20

See application file for complete search history.

(56) **References Cited**

U.S. PATENT DOCUMENTS

| | | | | | |
|------------|---|---------|-----------|-------|---------|
| D376,167 S | * | 12/1996 | Hayamizu | | D16/133 |
| D418,850 S | * | 1/2000 | Lee | | D16/133 |
| D482,711 S | * | 11/2003 | Kishigami | | D16/133 |
| D520,042 S | * | 5/2006 | Kimura | | D16/133 |
| D847,246 S | * | 4/2019 | Fischbach | | D16/133 |
| D940,773 S | * | 1/2022 | Sakai | | D16/133 |
| D950,618 S | * | 5/2022 | Haroud | | D16/133 |
| D952,012 S | * | 5/2022 | Gao | | D16/133 |
| D965,657 S | * | 10/2022 | Chen | | D16/133 |

FOREIGN PATENT DOCUMENTS

| | | |
|----|-----------|---------|
| JP | 1169814 S | 4/2003 |
| JP | 1541635 S | 10/2016 |
| JP | 1648477 S | 12/2019 |

OTHER PUBLICATIONS

“Canon 12x36,” first available May 18, 2015, retrieved Mar. 8, 2023 from <https://www.amazon.com/Canon-12x36-Image-Stabilization-Binoculars/dp/B00XOD5C1W/> (Year: 2015).*

Kazi: Kazi, No. 7, vol. 69, (Jul. 1, 2003), p. 218, (Japan Patent Office, Design Division Official Gazette No. HA15012932), Publication date: Jun. 2003.

Total catalogue vol. 53, p. 6, (Japan Patent Office, Design Division Official Gazette No. RC02008326), Publication date: Jan. 27, 2021.

(Continued)

Primary Examiner — Maria J. Edwards

Assistant Examiner — Dina Michelle Hoeynck

(74) *Attorney, Agent, or Firm* — Studebaker & Brackett PC

(57) **CLAIM**

The ornamental design for binoculars, as shown and described.

DESCRIPTION

FIG. 1 is an upper, front, and right side perspective view of the binoculars, showing my new design;

FIG. 2 is an upper, rear, and left side perspective view thereof;

FIG. 3 is a front view thereof;

FIG. 4 is a rear view thereof;

FIG. 5 is a top plan view thereof;

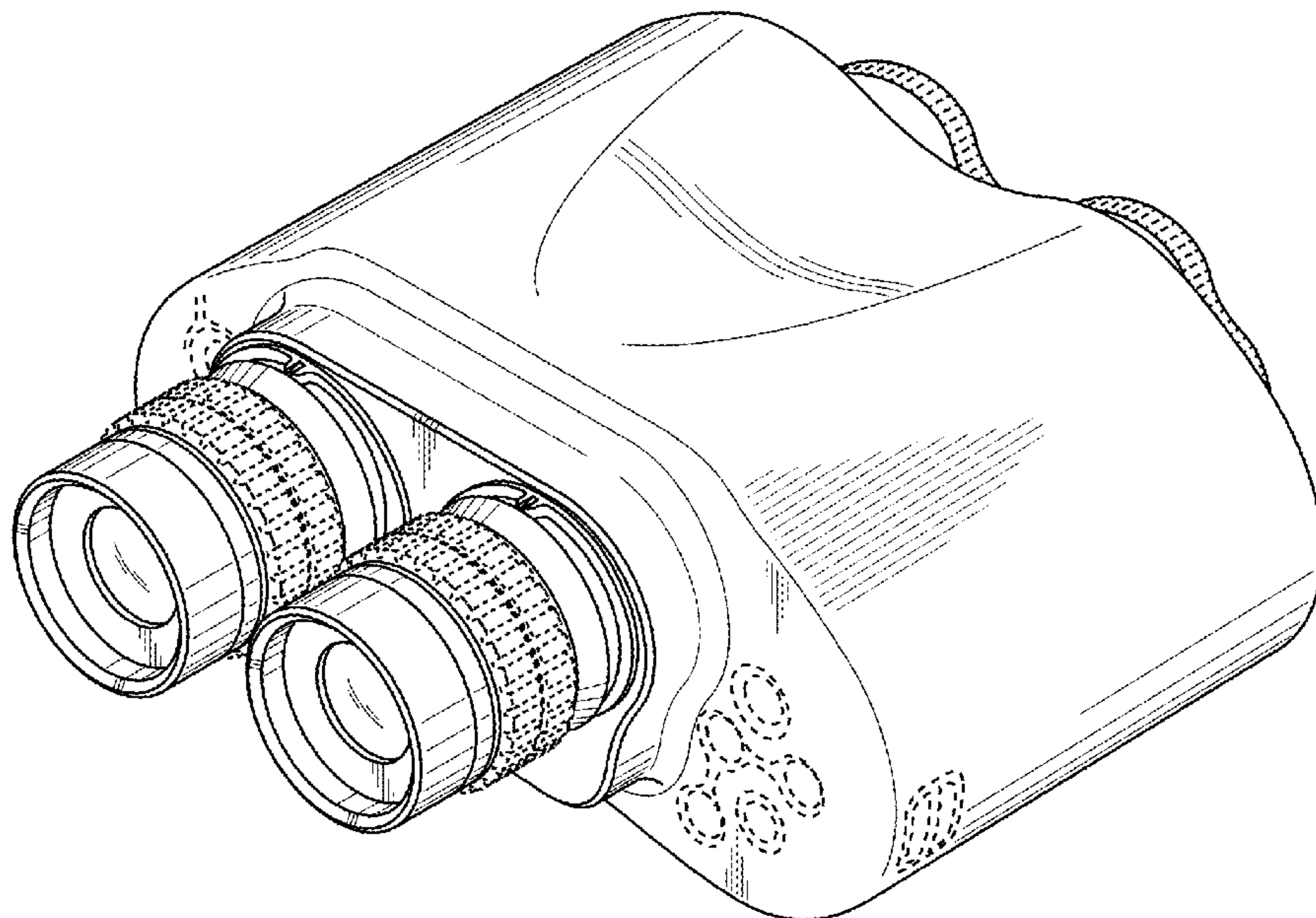
FIG. 6 is a bottom plan view thereof;

FIG. 7 is a right side view thereof; and,

FIG. 8 is a left side view thereof.

The broken lines illustrate portions of the binoculars and form no part of the claimed design.

1 Claim, 6 Drawing Sheets



(56)

References Cited

OTHER PUBLICATIONS

Kenko Compact Zoom Bunoculars Series (Nikkan Kogyo Shimbun 1995, 12, 15 P13), p. 1, (Japan Patent Office, Design Division Official Gazette No. HN08015589), Publication date: Aug. 1996.

Fujifilm Corporation, Indicated in Homepage, (Japan Patent Office, Design Division Official Gazette No. HJ31059087), Publication date: Jan. 24, 2020.

An Office Action mailed by the Japanese Patent Office dated Nov. 1, 2021, which corresponds to Japanese Design Application No. 2021-007491 and is related to Design U.S. Appl. No. 29/810,121; with English language translation.

* cited by examiner

FIG. 1

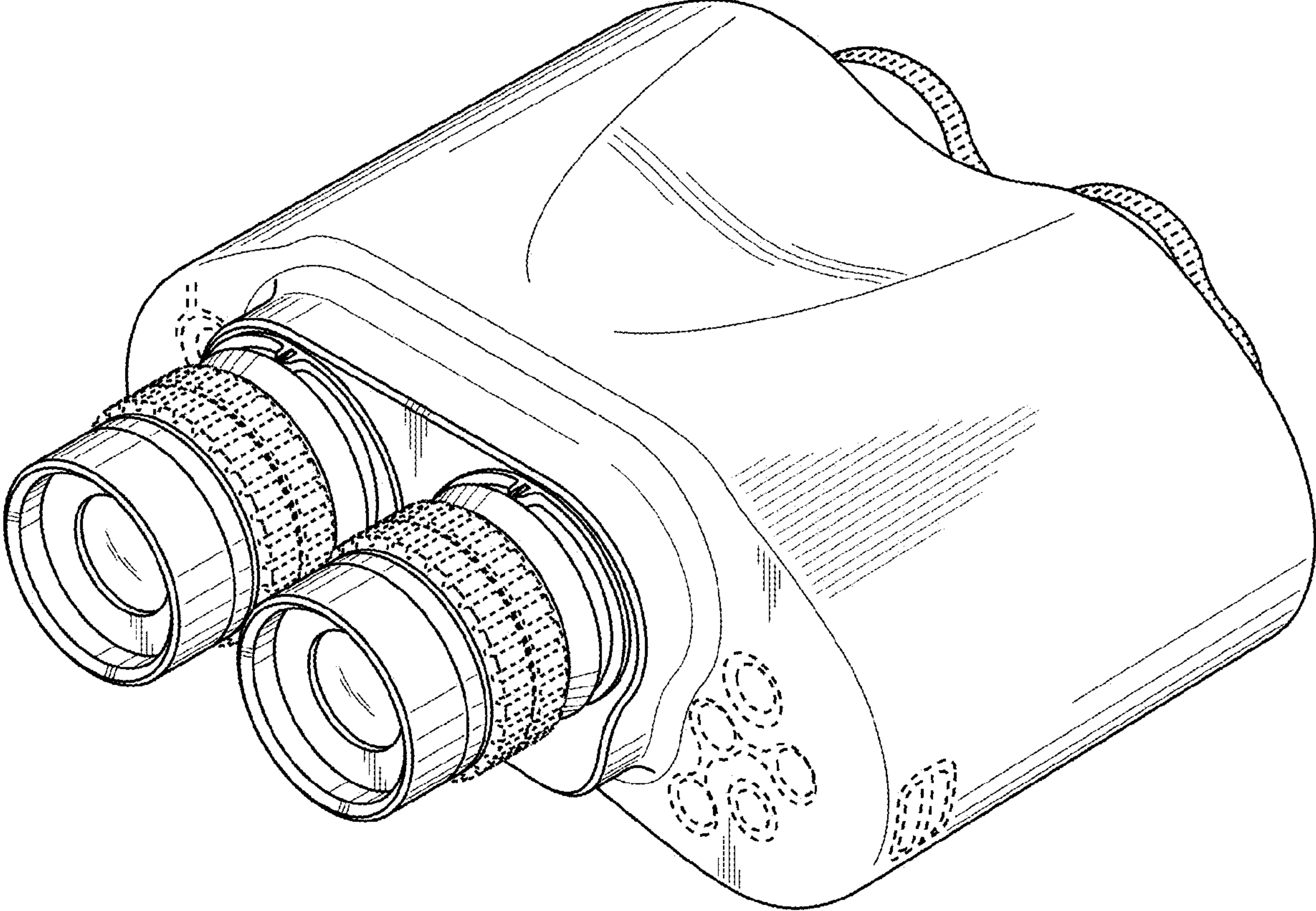


FIG. 2

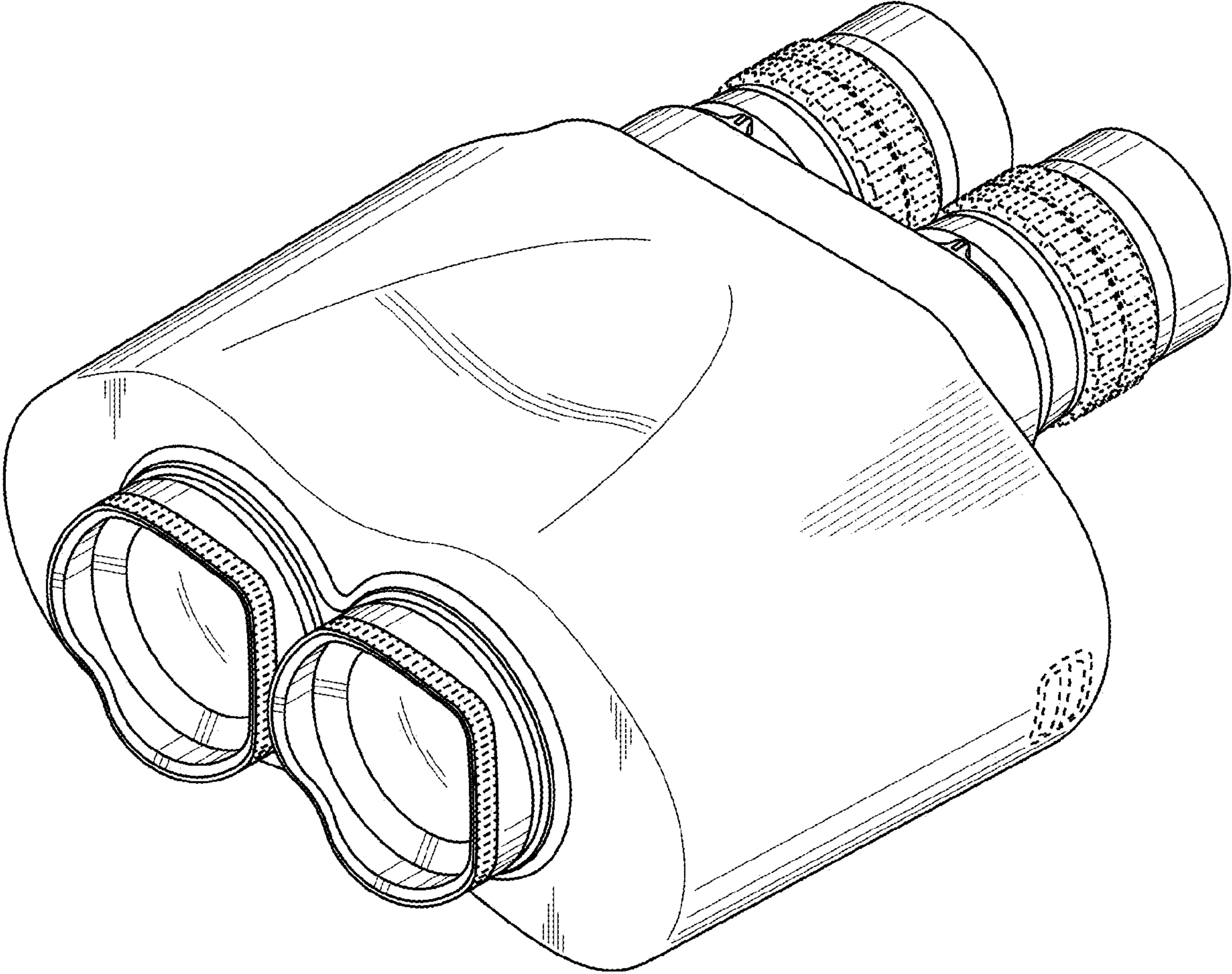


FIG. 3

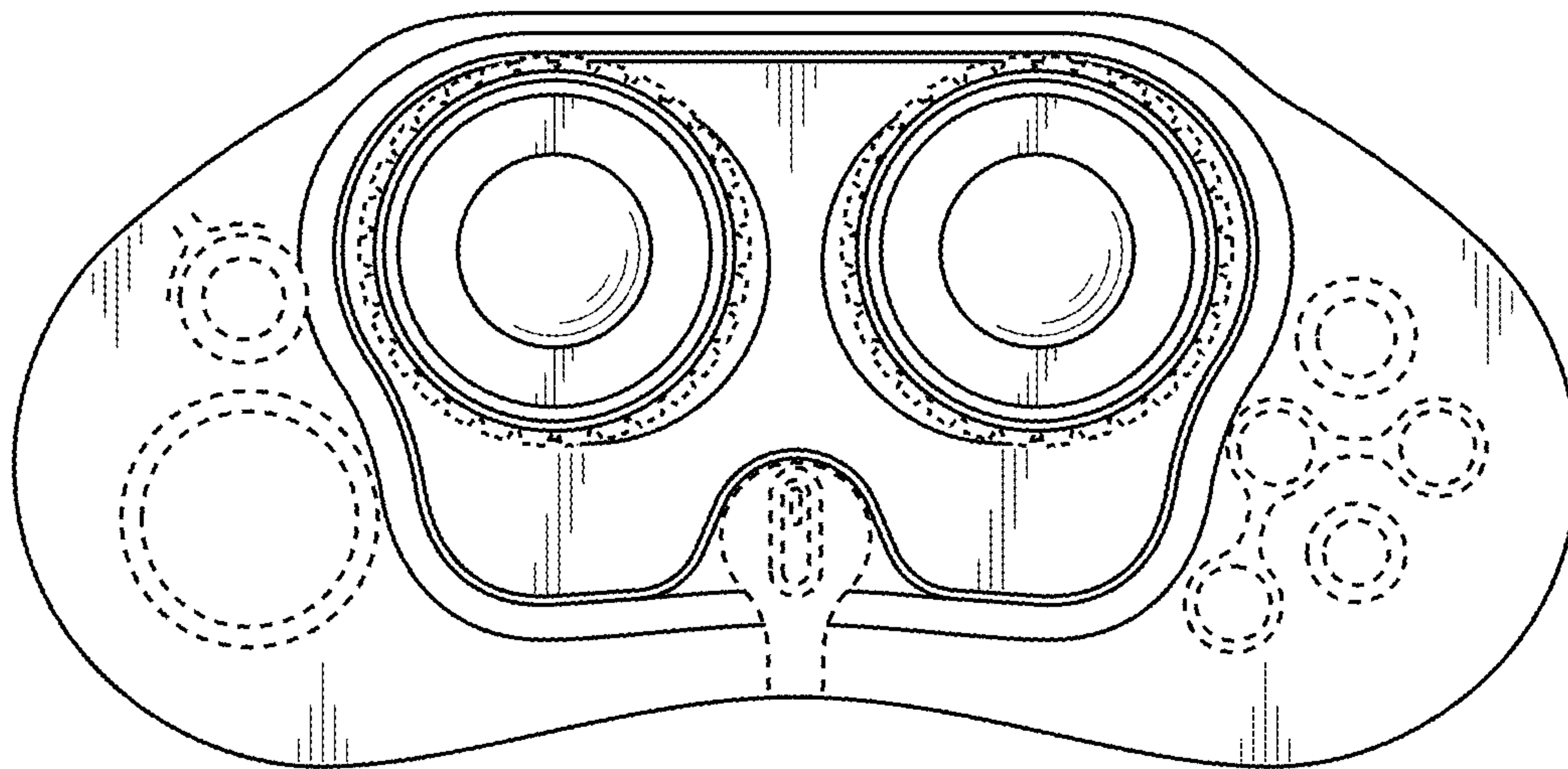


FIG. 4

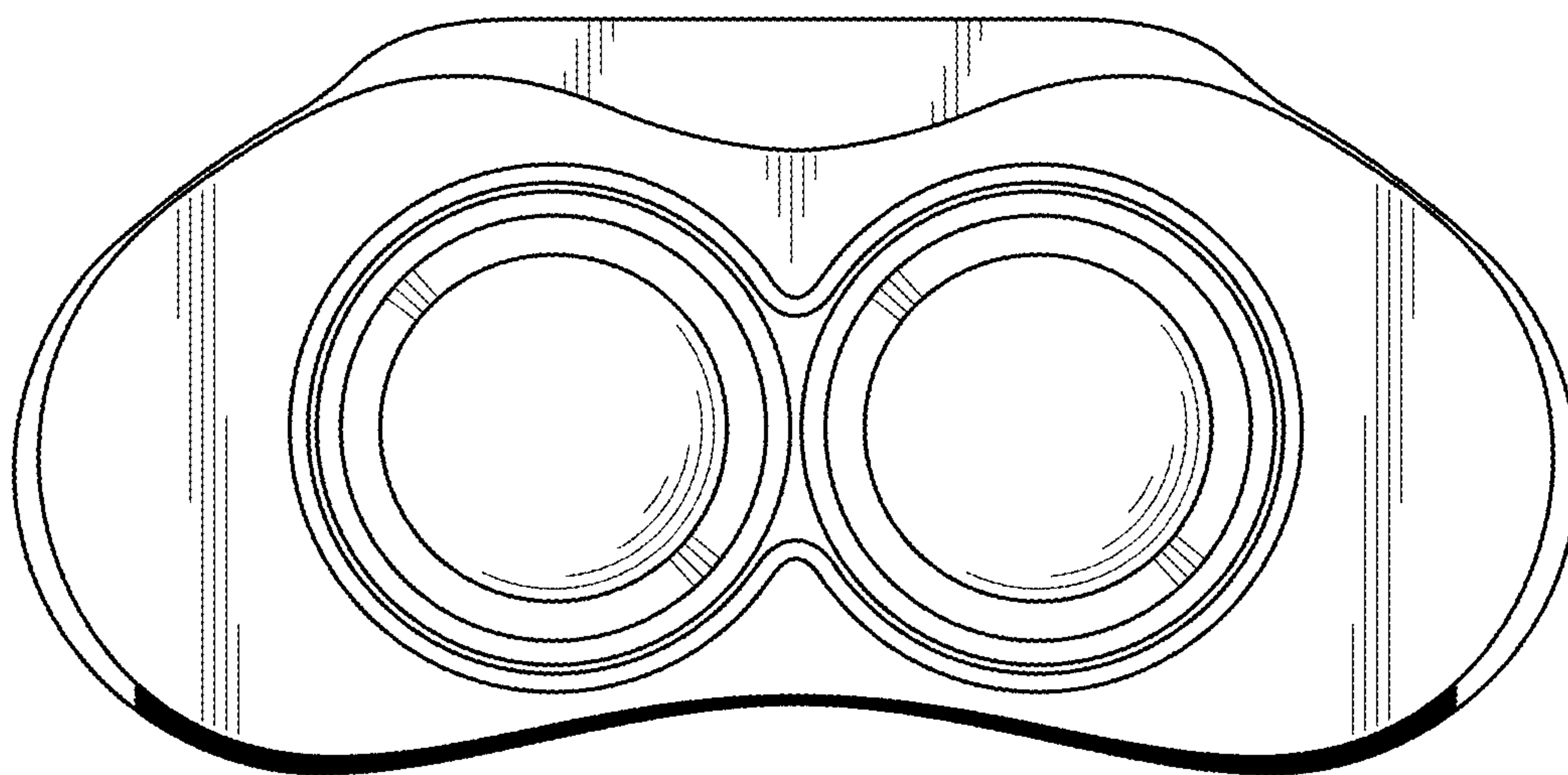


FIG. 5

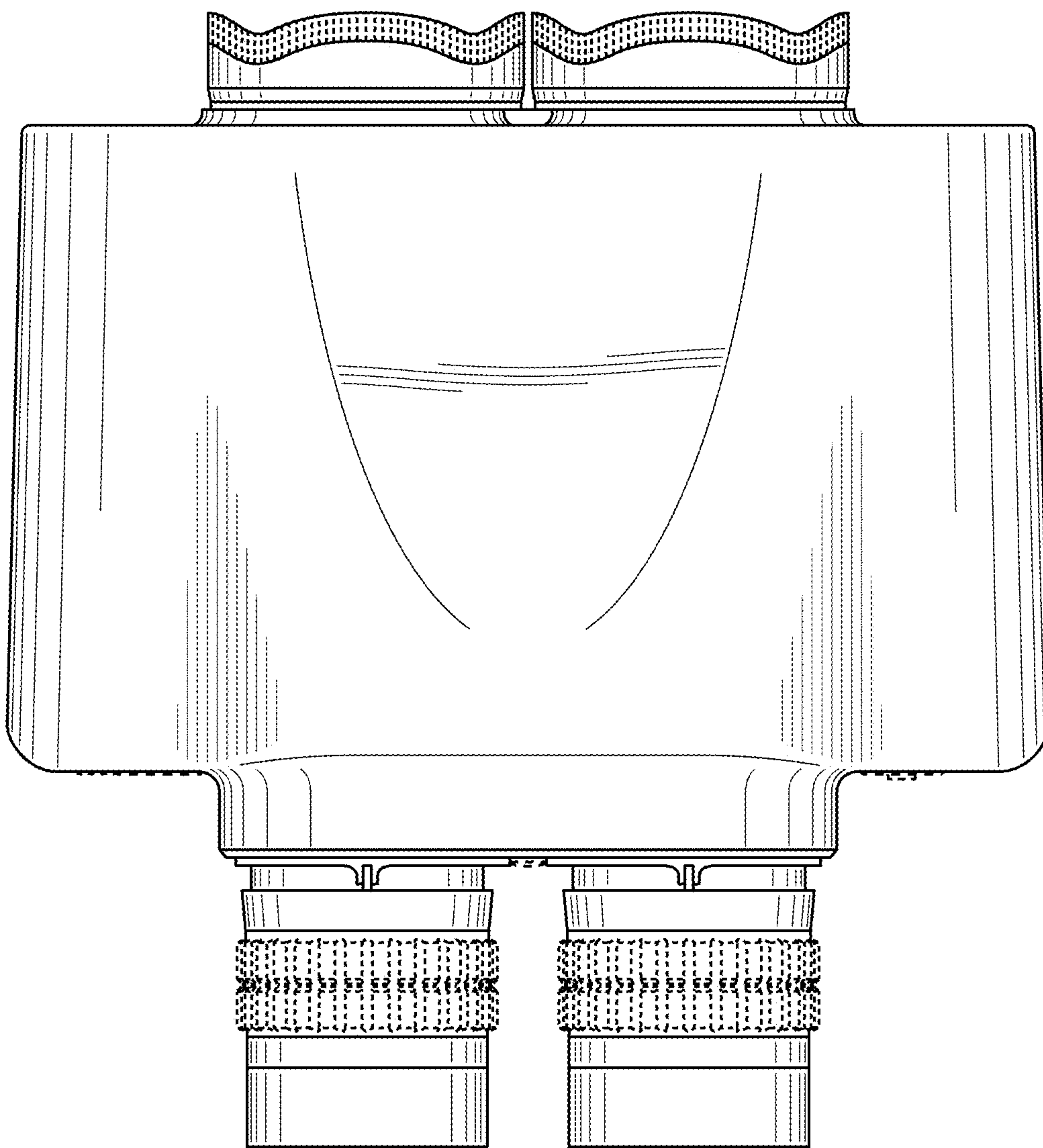


FIG. 6

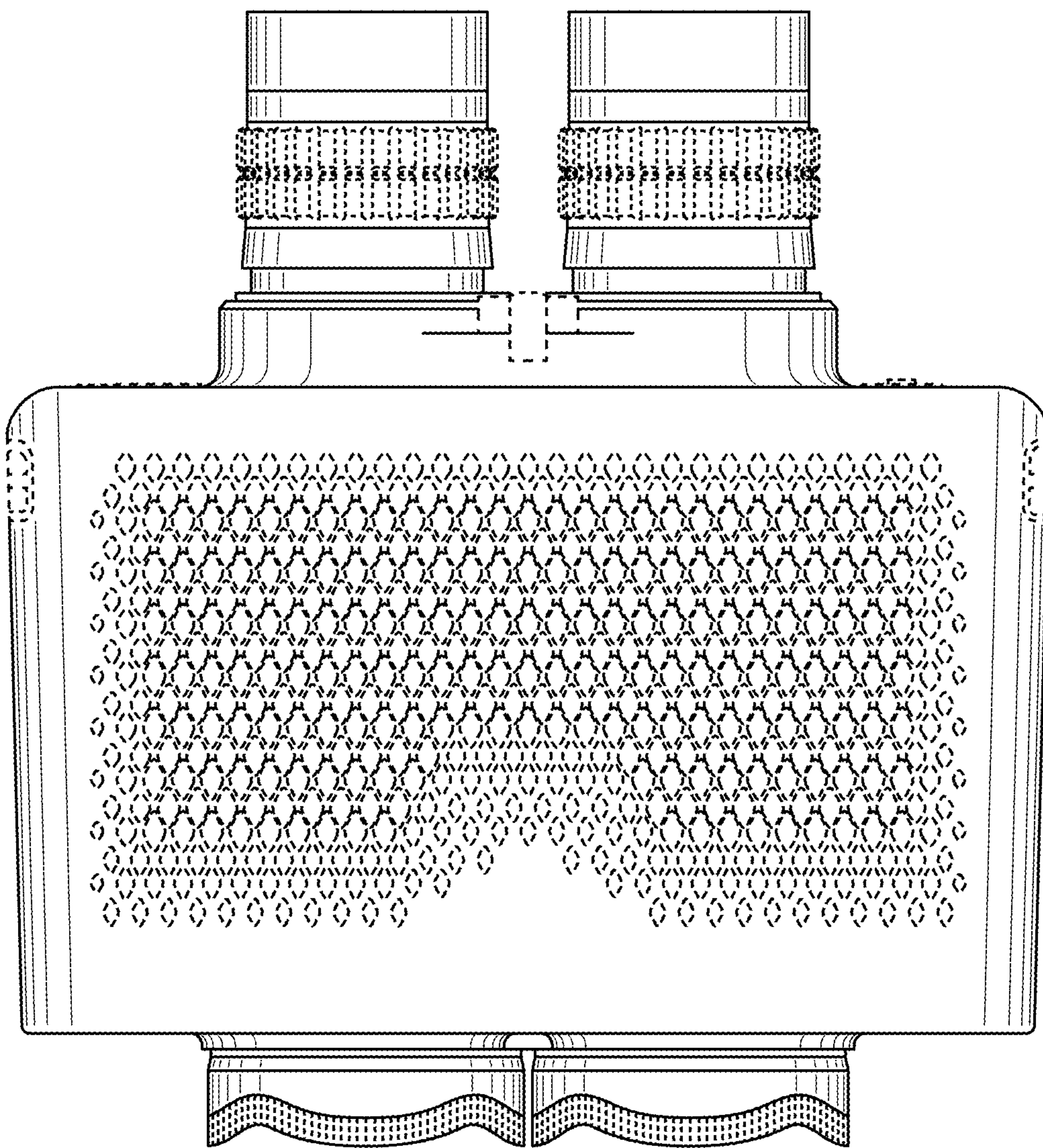


FIG. 7

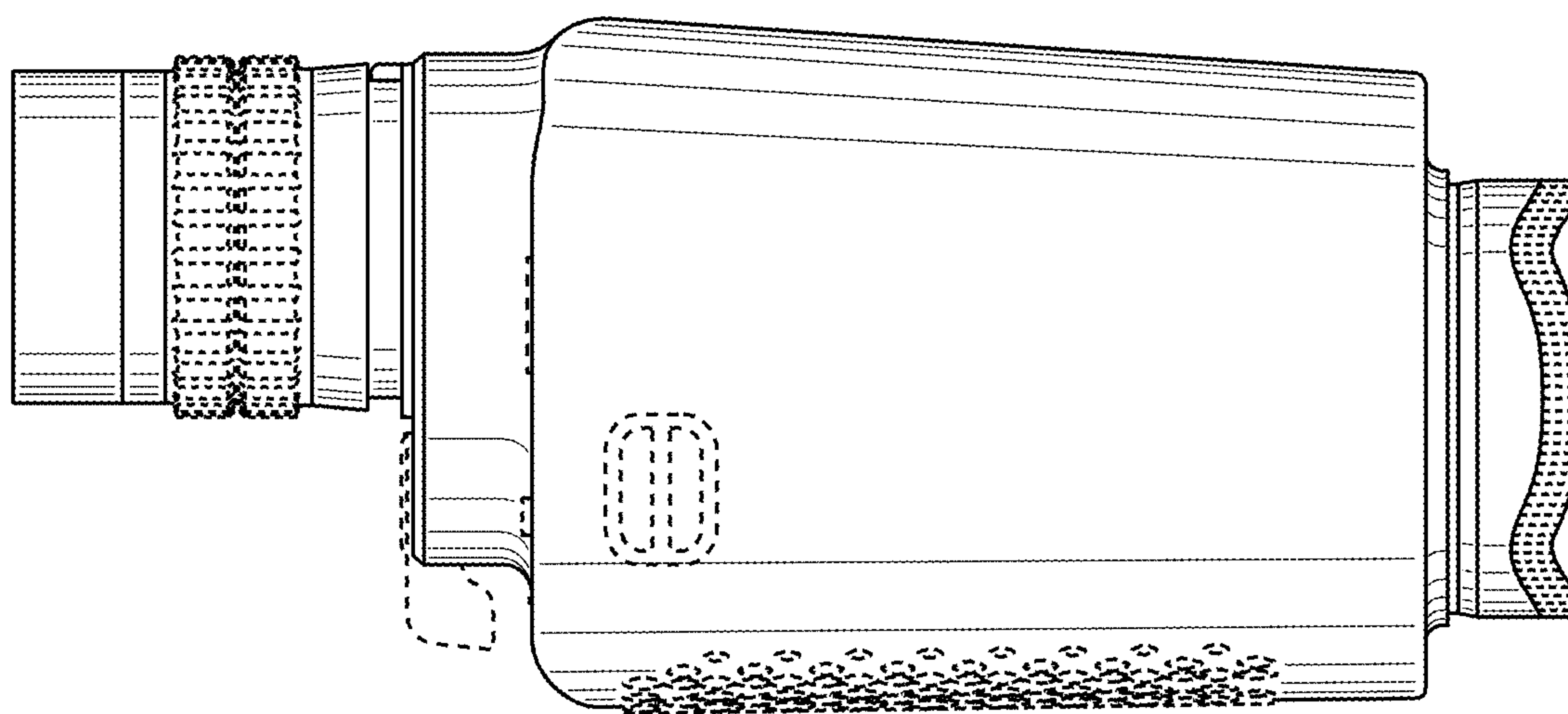
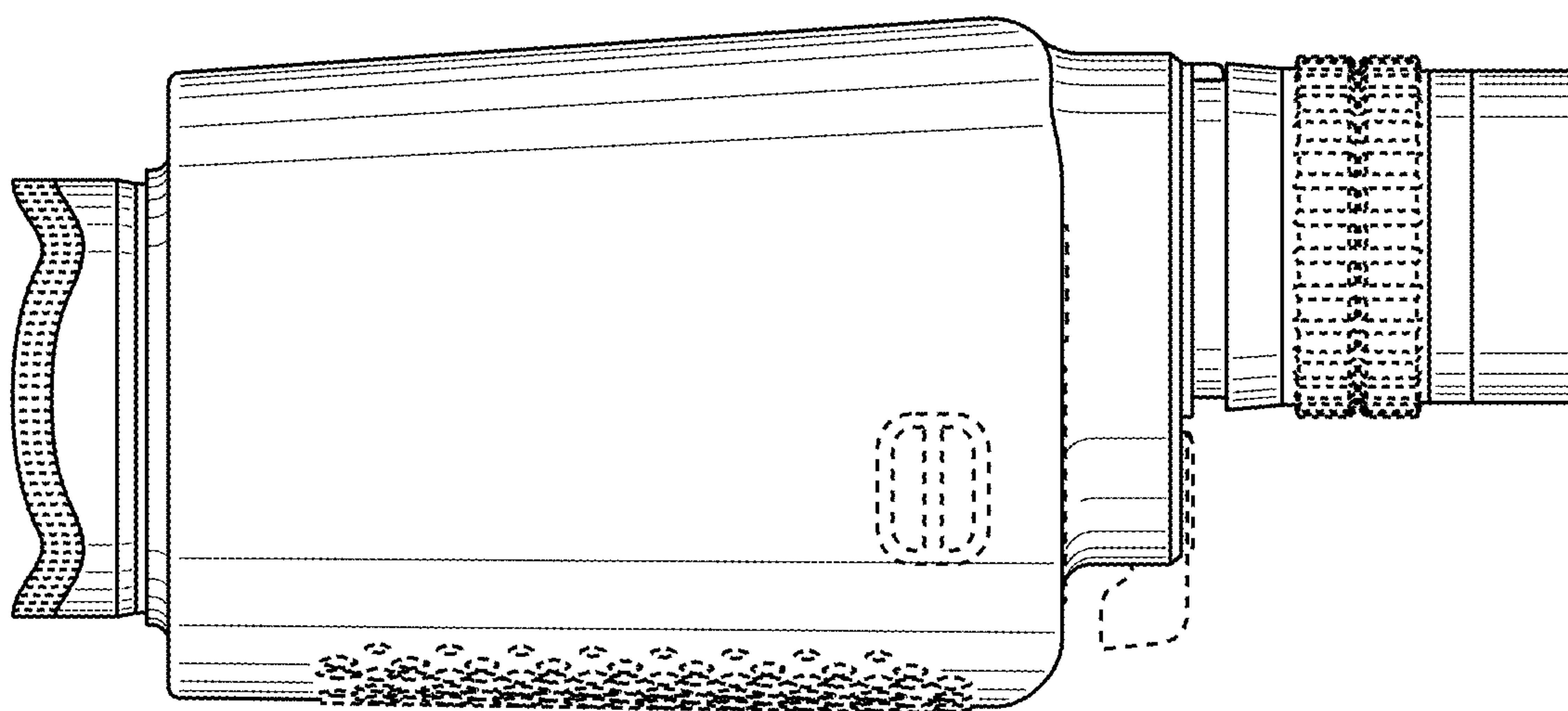


FIG. 8



UNITED STATES PATENT AND TRADEMARK OFFICE
CERTIFICATE OF CORRECTION

PATENT NO. : D989,836 S
APPLICATION NO. : 29/810121
DATED : June 20, 2023
INVENTOR(S) : Keiichiro Takahashi

Page 1 of 1

It is certified that error appears in the above-identified patent and that said Letters Patent is hereby corrected as shown below:

On the Title Page

Item (30) Foreign Application Priority Data should be read:
Apr. 9, 2021 (JP) 2021007491 D

Signed and Sealed this
Fifth Day of December, 2023
Katherine Kelly Vidal

Katherine Kelly Vidal
Director of the United States Patent and Trademark Office