



US00D989835S

(12) **United States Design Patent**
Len

(10) **Patent No.:** **US D989,835 S**
(45) **Date of Patent:** **** Jun. 20, 2023**

(54) **NIGHT VISION DEVICE**

(71) Applicant: **Shuokun Len**, Shenzhen (CN)

(72) Inventor: **Shuokun Len**, Shenzhen (CN)

(**) Term: **15 Years**

(21) Appl. No.: **29/785,702**

(22) Filed: **May 27, 2021**

(51) **LOC (14) Cl.** **16-06**

(52) **U.S. Cl.**
USPC **D16/133**

(58) **Field of Classification Search**
USPC D16/130, 132-134, 136, 137; D10/46,
D10/70
CPC G02B 23/18; G02B 2027/0132; G02B
25/004; G02B 21/20
See application file for complete search history.

(56) **References Cited**

U.S. PATENT DOCUMENTS

7,654,029 B2 * 2/2010 Peters F41G 3/08
42/114
D647,159 S * 10/2011 Kobayashi D22/109

D823,147 S * 7/2018 Bainter D16/132
D851,152 S * 6/2019 Hebert D16/131
D941,901 S * 1/2022 Chen D16/133
D944,668 S * 3/2022 Li D10/70
D949,221 S * 4/2022 Chen D16/133
D955,242 S * 6/2022 Liu D10/70
D975,157 S * 1/2023 Chen D16/133
2018/0231377 A1 * 8/2018 Vermillion G01S 17/10

* cited by examiner

Primary Examiner — Maria J. Edwards
Assistant Examiner — Dina Michelle Hoeyneck

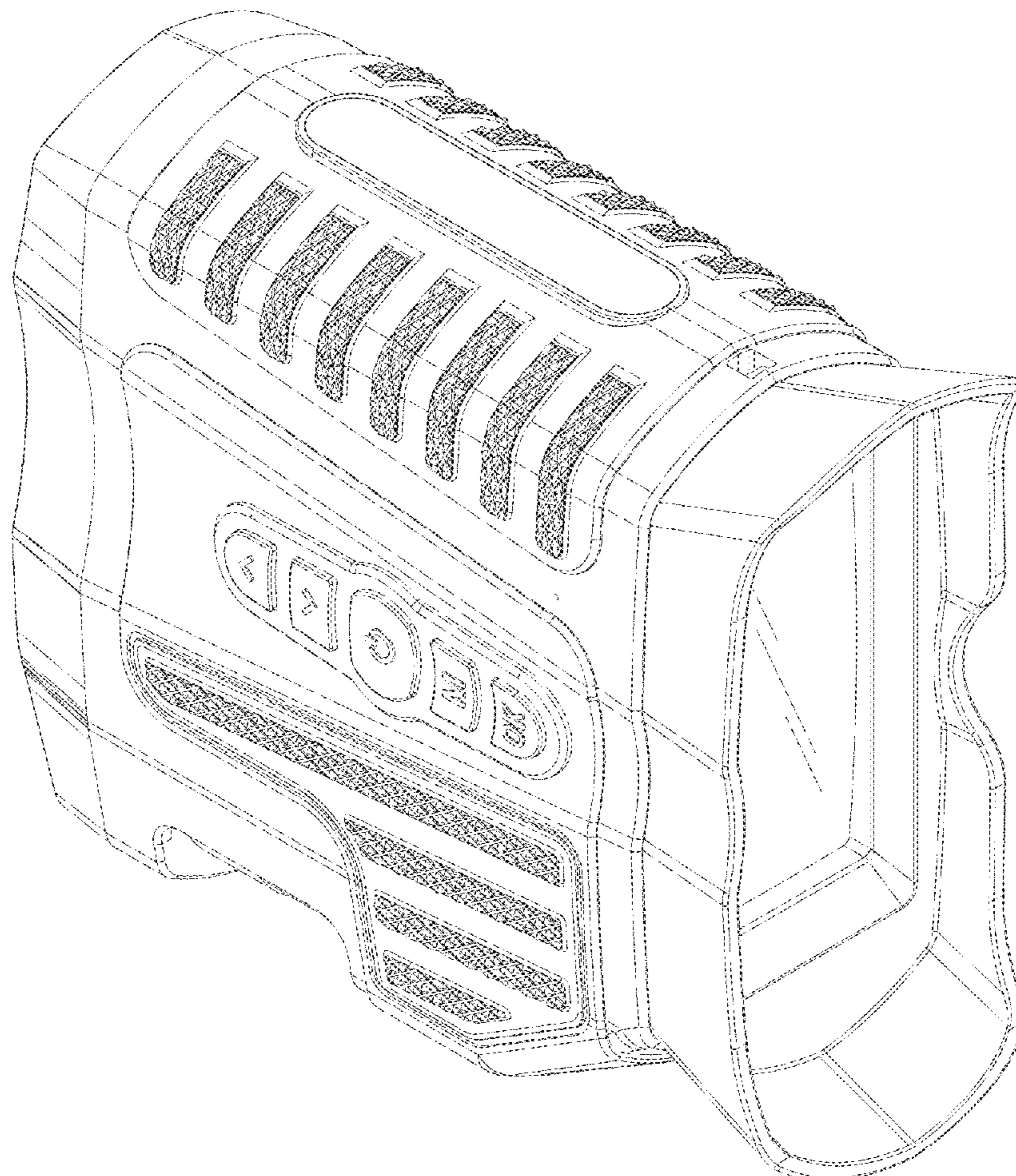
(57) **CLAIM**

The ornamental design for a night vision device, as shown and described.

DESCRIPTION

FIG. 1 is a front, top perspective view of a night vision device showing my new design;
FIG. 2 is a rear, bottom perspective view thereof;
FIG. 3 is a front elevation view thereof;
FIG. 4 is a rear elevation view thereof;
FIG. 5 is a left side elevation view thereof;
FIG. 6 is a right side elevation view thereof;
FIG. 7 is a top plan view thereof; and,
FIG. 8 is a bottom plan view thereof.

1 Claim, 8 Drawing Sheets



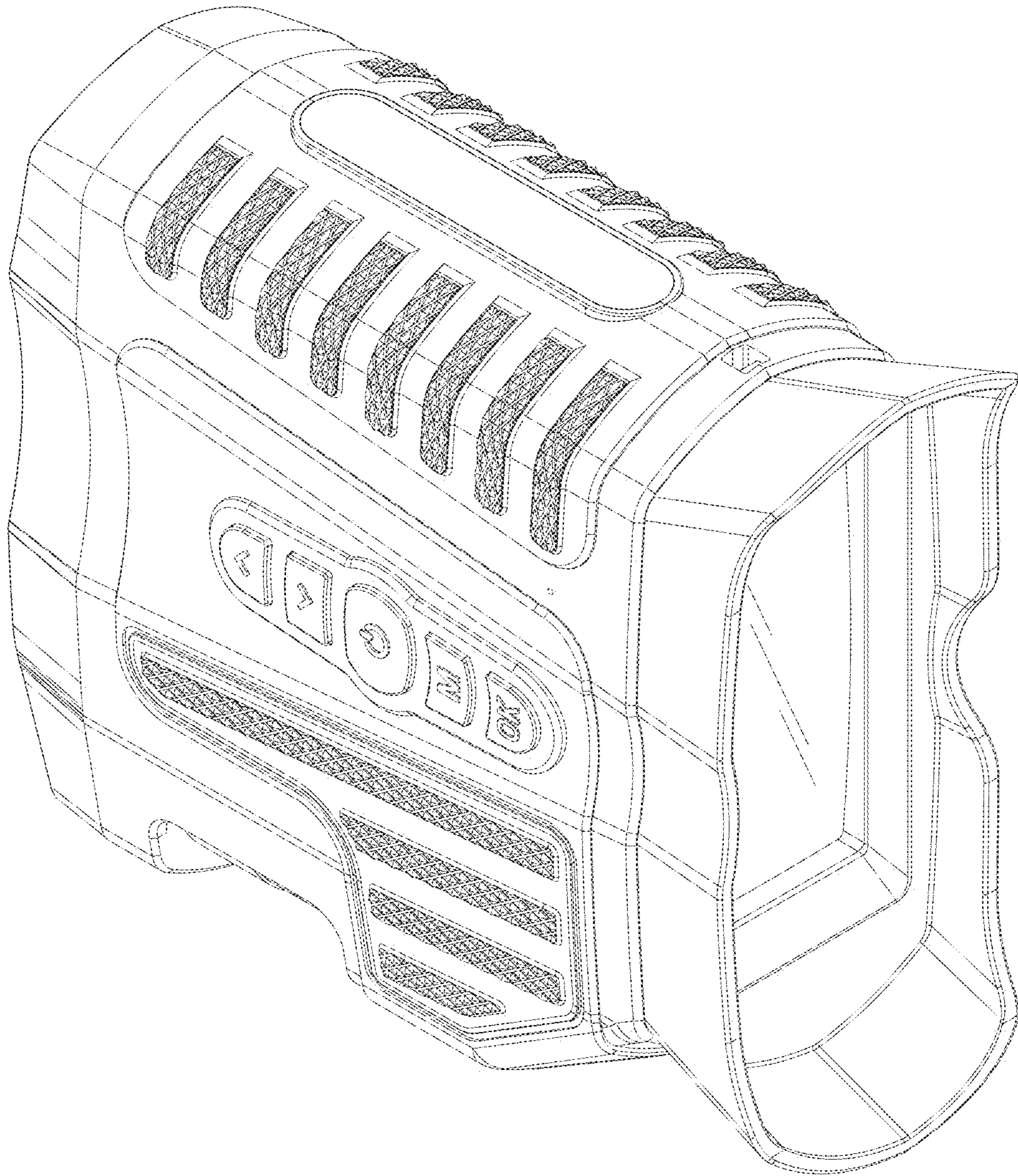


FIG. 1

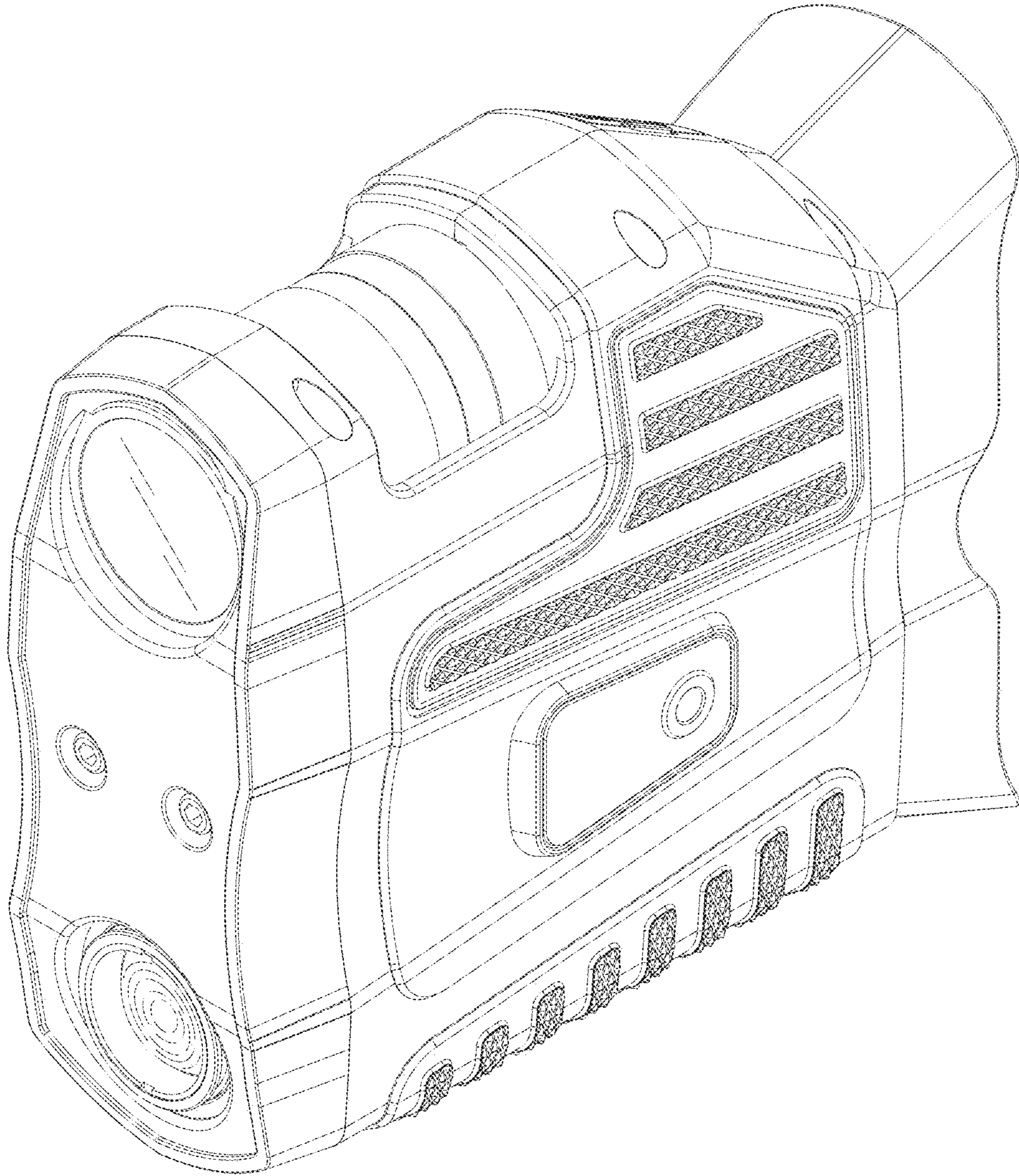


FIG. 2

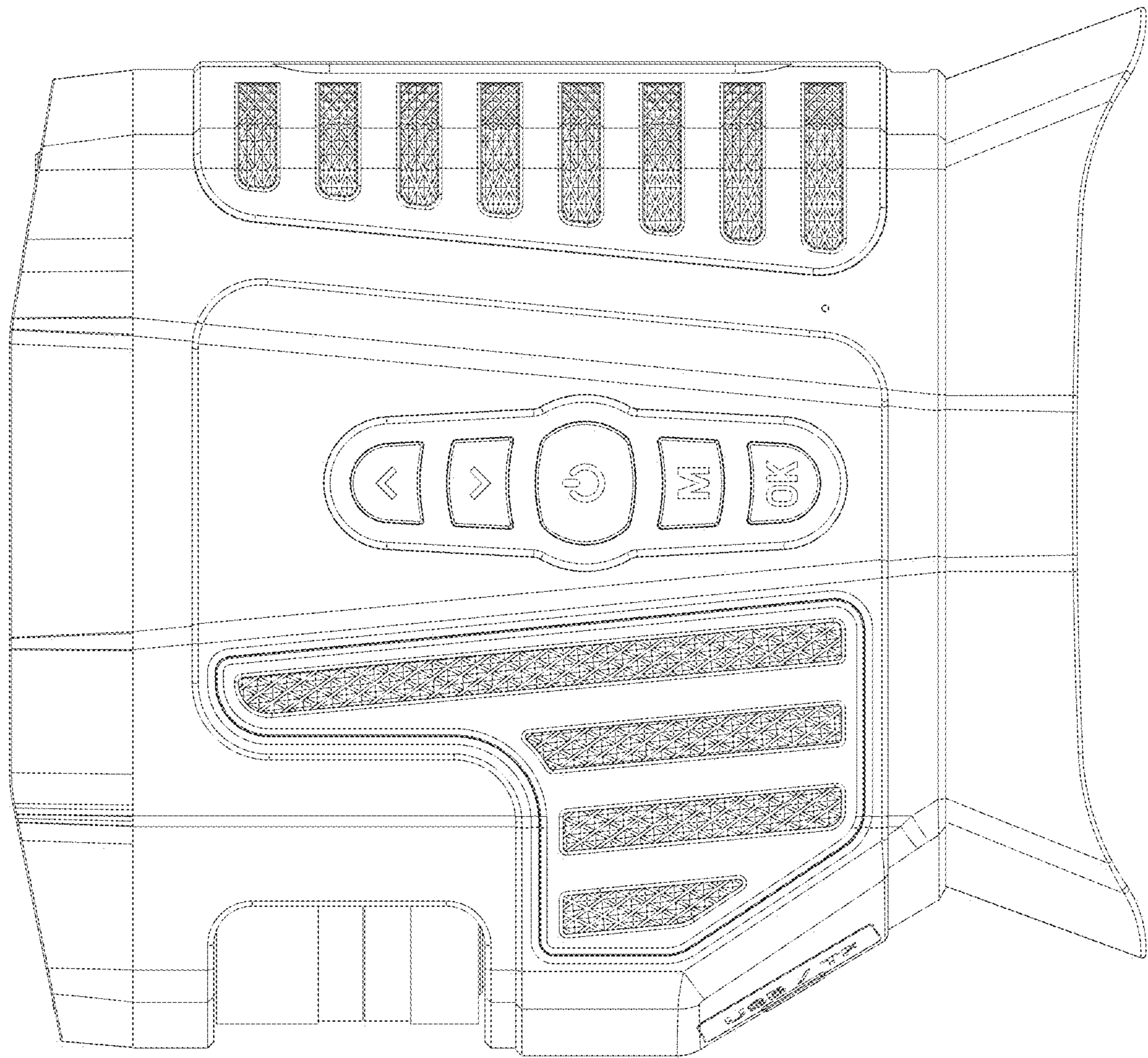


FIG. 3

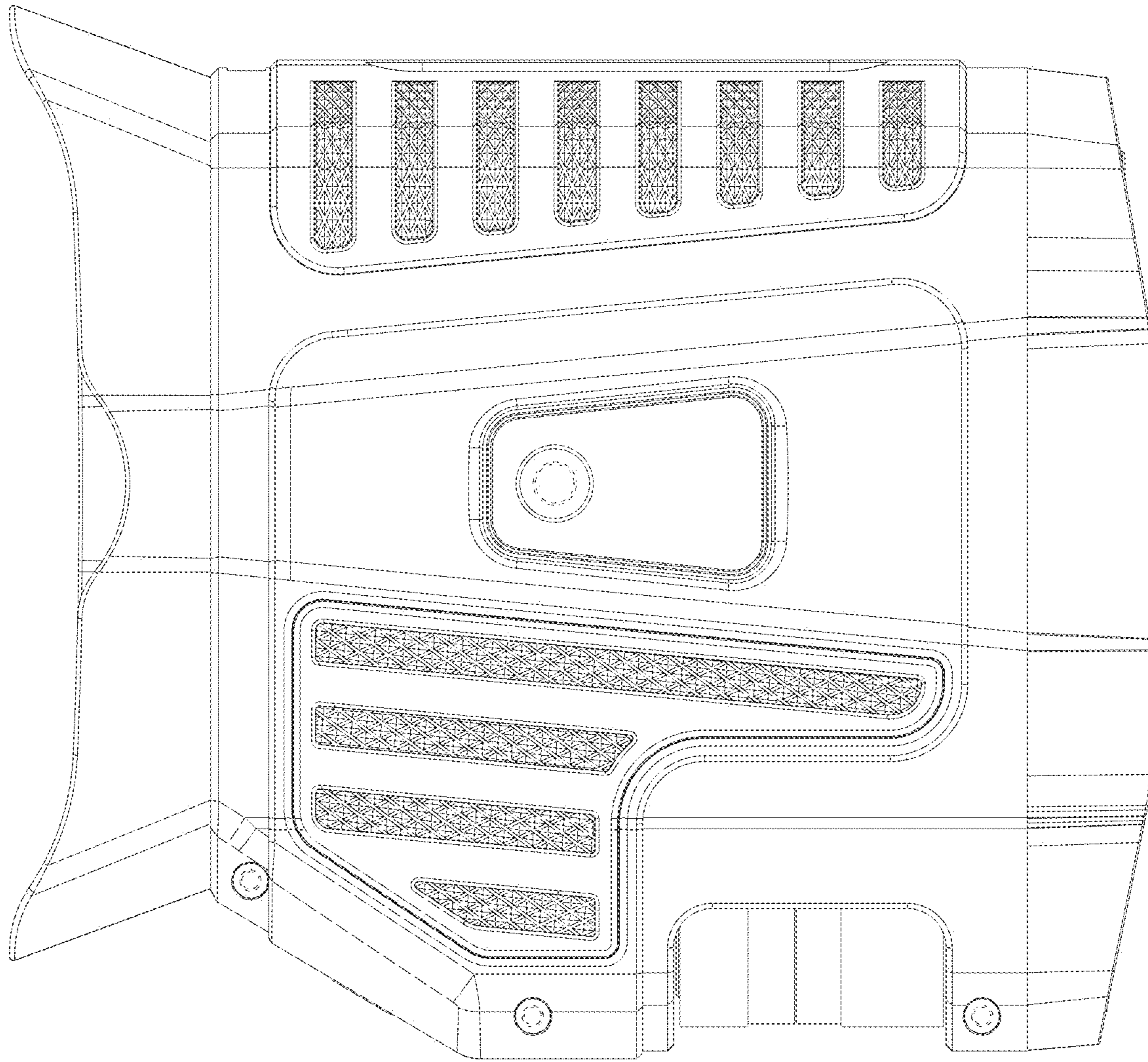


FIG. 4

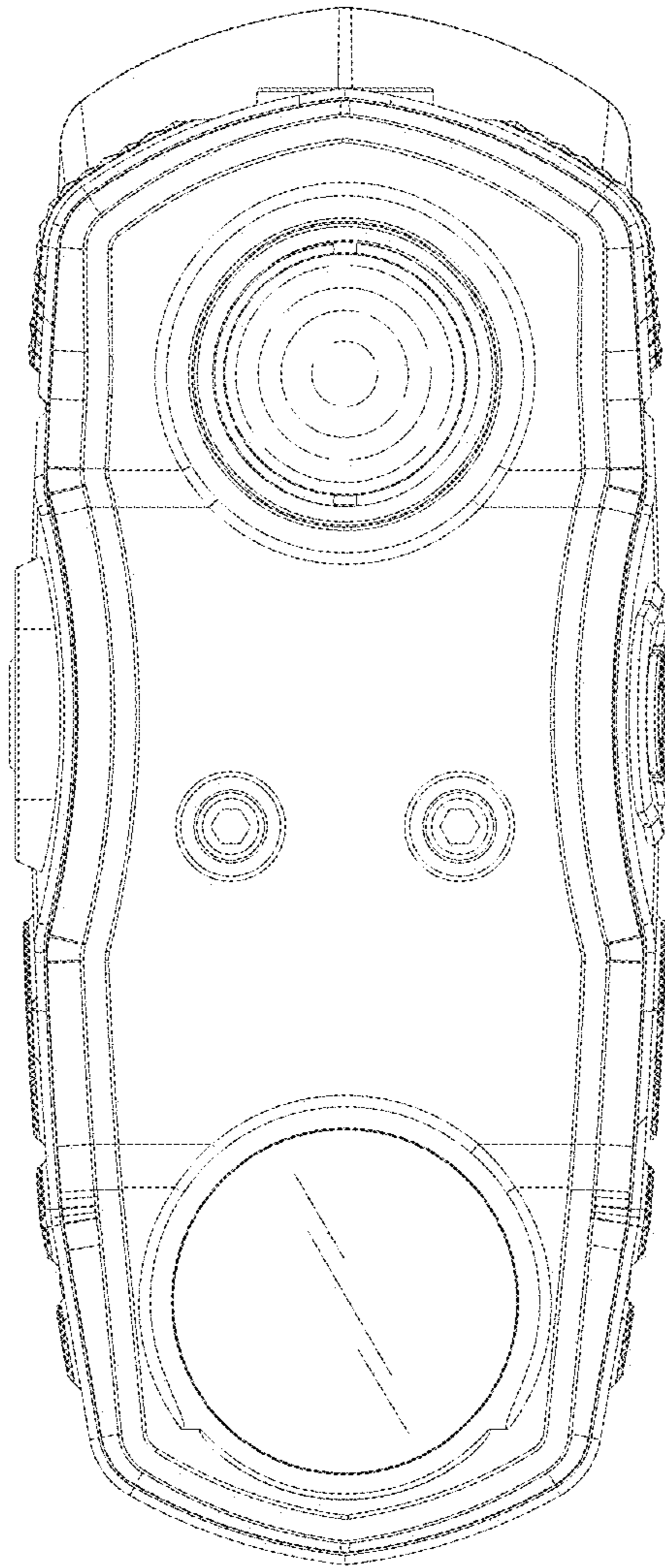


FIG. 5

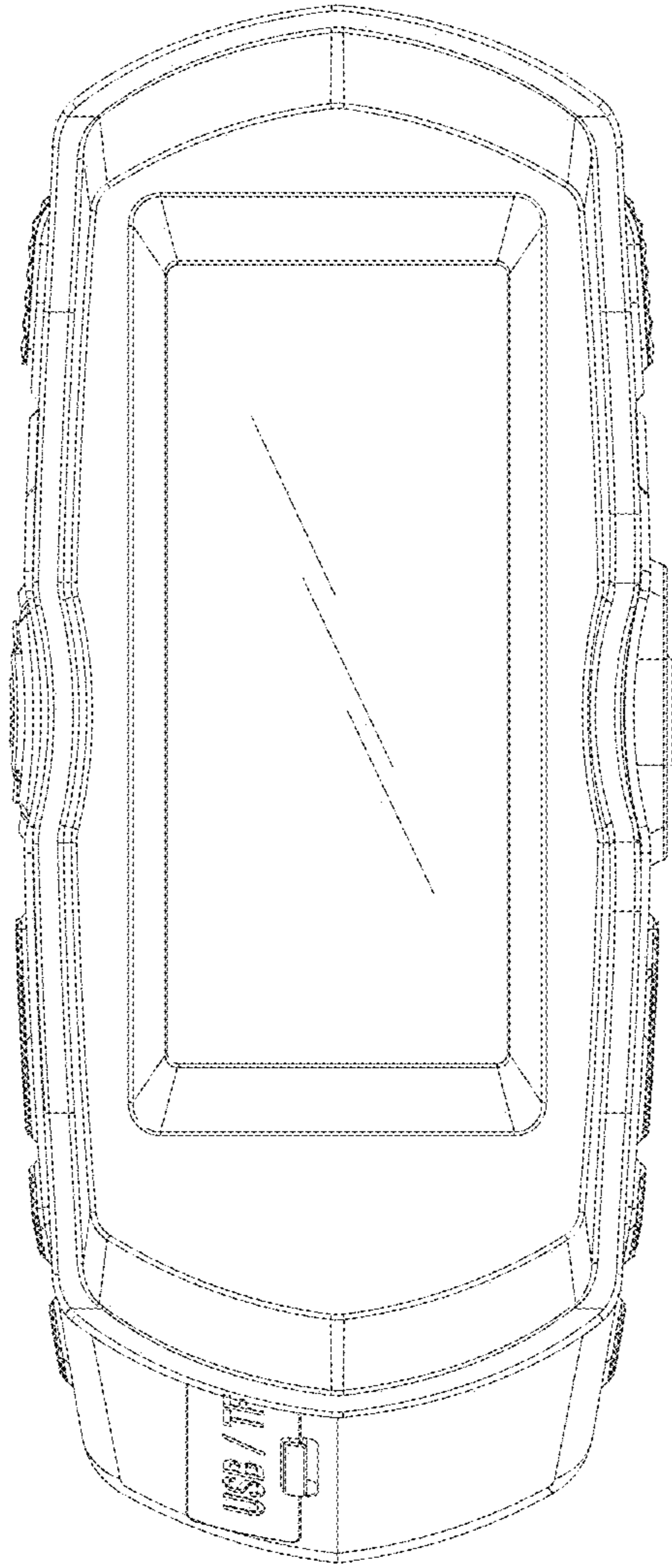


FIG. 6

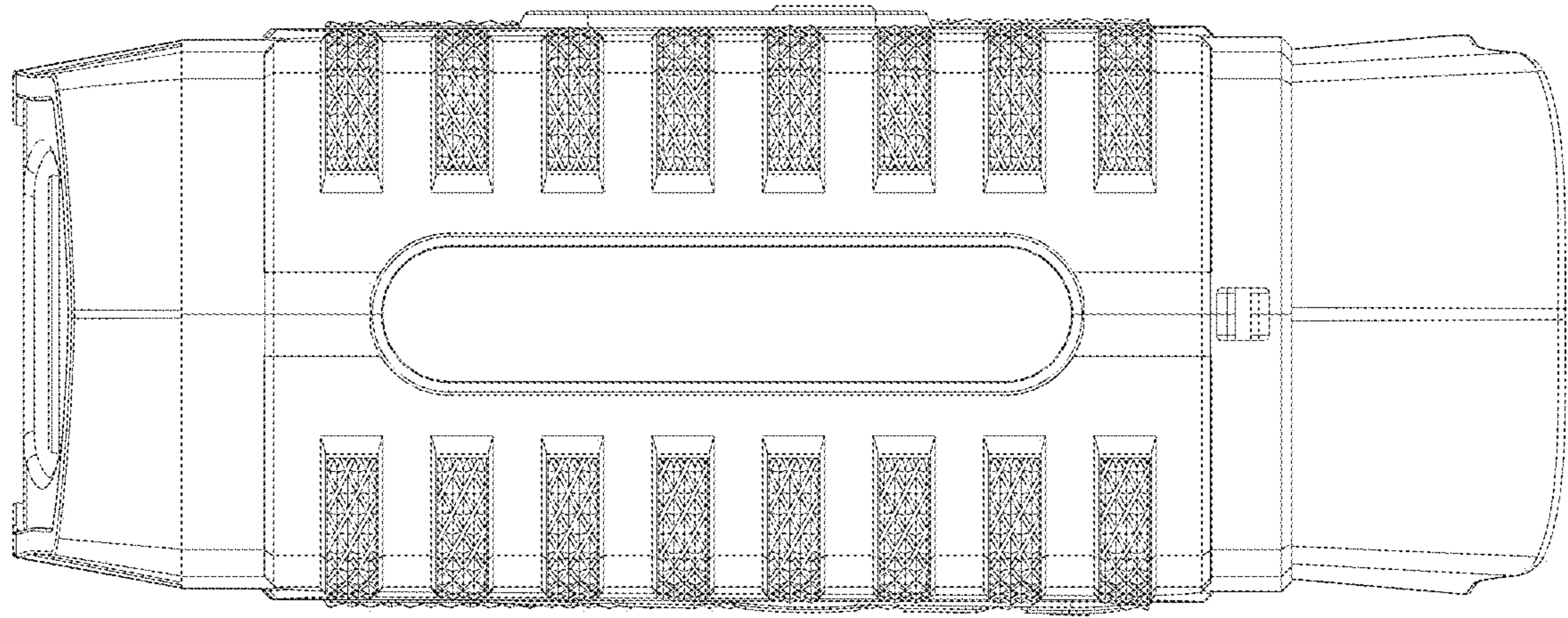


FIG. 7

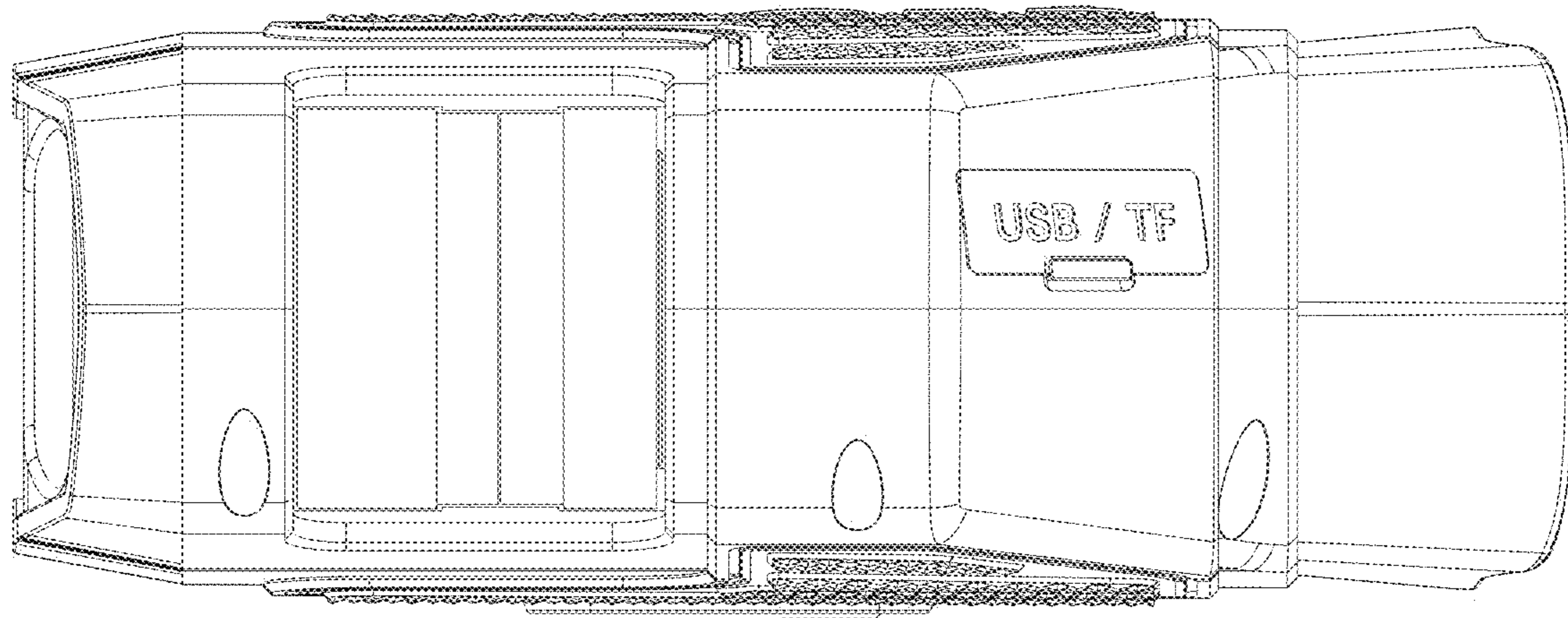


FIG. 8