



US00D989834S

(12) **United States Design Patent**  
**Hirschmann**

(10) **Patent No.:** **US D989,834 S**

(45) **Date of Patent:** **\*\* Jun. 20, 2023**

(54) **TRANSFER ROBOT**

(71) Applicant: **STÄUBLI WFT GmbH,**  
Sulzbach-Rosenberg (DE)

(72) Inventor: **Benjamin Hirschmann,** Hahnbach  
(DE)

(\*\*) Term: **15 Years**

(21) Appl. No.: **35/515,336**

(22) Filed: **Jun. 20, 2022**

(80) **Hague Agreement Data**

Int. Filing Date: **Jun. 20, 2022**

Int. Reg. No.: **DM/223762**

Int. Reg. Date: **Jun. 20, 2022**

Int. Reg. Pub. Date: **Oct. 7, 2022**

(51) **LOC (14) Cl.** ..... **15-99**

(52) **U.S. Cl.**  
USPC ..... **D15/199; D34/28**

(58) **Field of Classification Search**  
USPC ..... D15/199; D24/170, 185; D34/28  
CPC ..... A61B 34/30; A61B 34/37; B66F 11/042;  
B66F 11/046; B25J 17/00; B25J 9/047;  
B25J 9/0087; B25J 19/0075; B25J  
13/084; B25J 17/0258; B25J 17/0241;  
B25J 17/0283; B25J 17/0275; B25J  
9/0009; B25J 9/0051; B25J 9/1623; B25J  
11/0085; B25J 11/008; B25J 5/00; B25J  
5/007; G05D 1/0246; G05D 1/0268;  
G05D 1/0274

See application file for complete search history.

(56) **References Cited**

**U.S. PATENT DOCUMENTS**

D720,510 S \* 12/2014 Shin ..... D32/21  
D738,585 S \* 9/2015 Dooley ..... D32/31  
D812,663 S \* 3/2018 Waters ..... D15/199  
D865,021 S \* 10/2019 Hu ..... D15/199  
D871,475 S \* 12/2019 Kolb ..... D15/199

D873,173 S \* 1/2020 Brucker ..... D12/1  
D878,443 S \* 3/2020 Abe ..... D15/199  
D886,173 S \* 6/2020 Sokuza ..... D15/199  
D887,468 S \* 6/2020 Hirvesaar ..... D15/199  
D888,790 S \* 6/2020 Yao ..... D15/199  
D896,858 S \* 9/2020 Kapuria ..... D15/199  
D902,272 S \* 11/2020 Cascajar ..... D15/199  
D902,277 S \* 11/2020 Sakaguchi ..... D15/199  
D907,084 S \* 1/2021 Kapuria ..... D15/199  
D907,677 S \* 1/2021 Mork ..... D15/199  
D909,441 S \* 2/2021 Zhao ..... D15/199  
D911,406 S \* 2/2021 Srivastava ..... D15/199  
D914,075 S \* 3/2021 Sokuza ..... D15/199  
D917,590 S \* 4/2021 Li ..... D15/199

(Continued)

**OTHER PUBLICATIONS**

Sherpa Mobile Robotics, "Smart and Mobile Collaborative Robots",  
(Published Aug. 2020), Sherpa Website, URL:<<https://pdf.directindustry.com/pdf/norcan/sherpa-presentation-gb/7652-859337.html#open2279275>> (Year: 2020).\*

(Continued)

*Primary Examiner* — Calvin E Vansant  
*Assistant Examiner* — Mark T. Philipps

(57) **CLAIM**

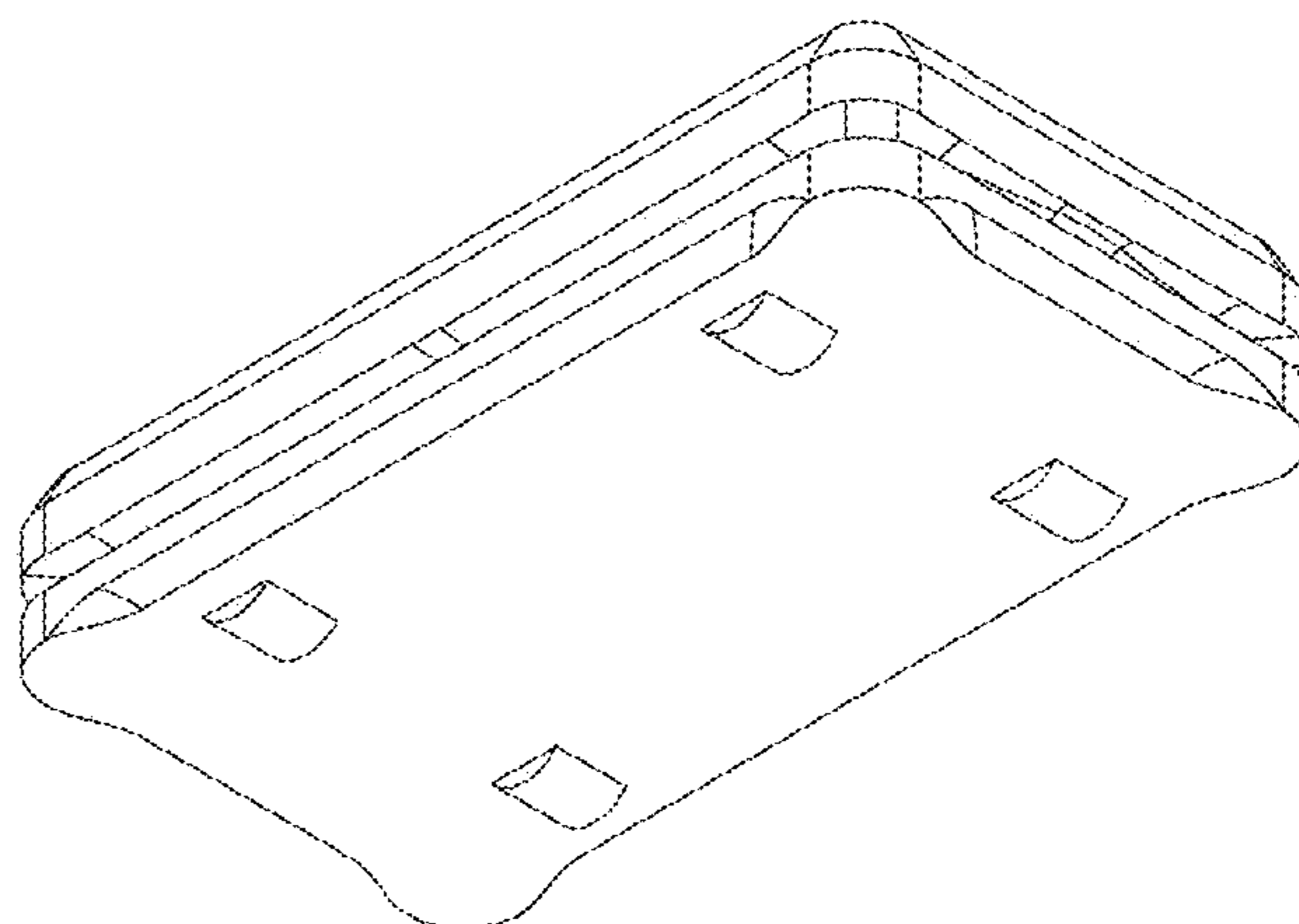
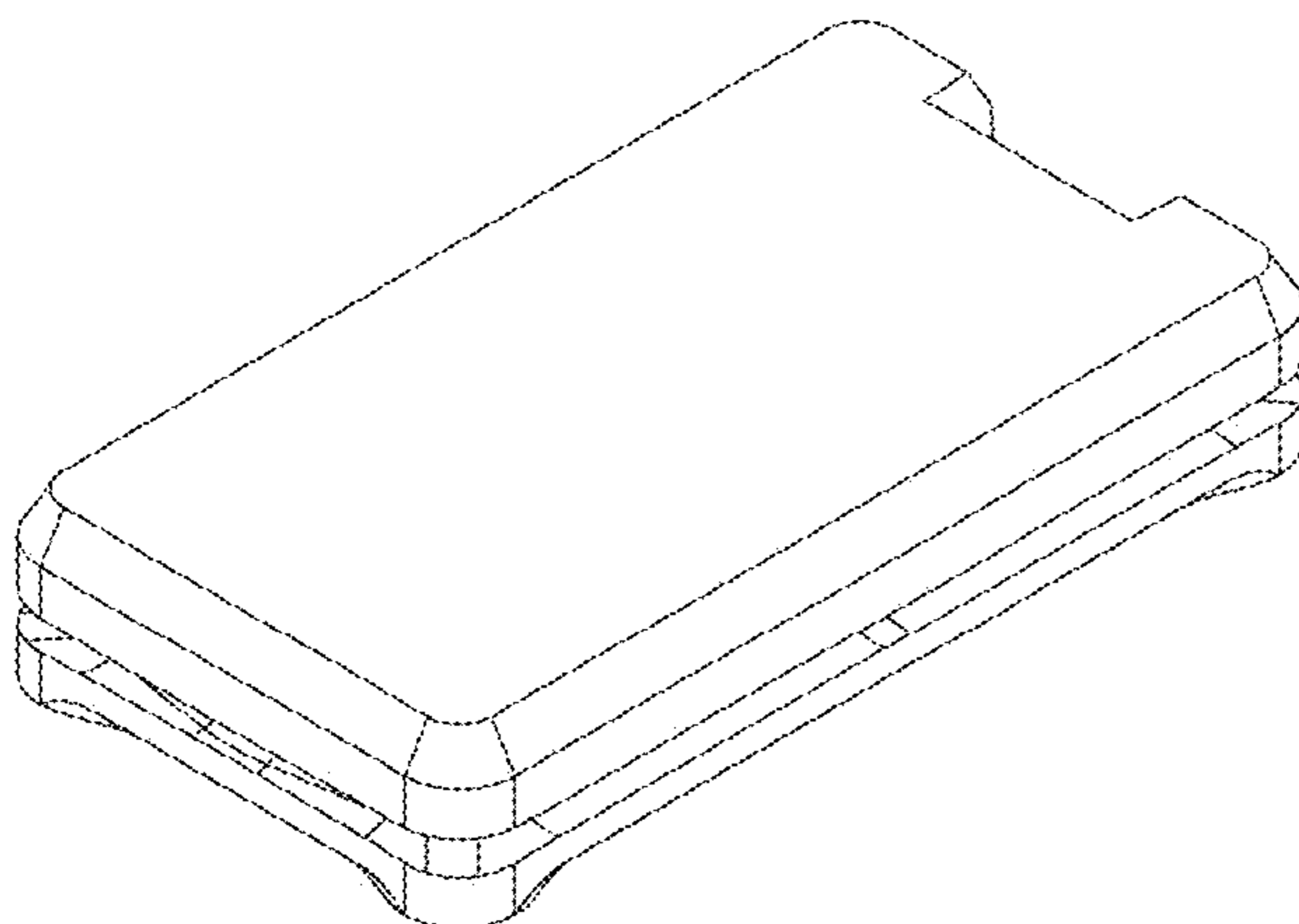
The ornamental design for a transfer robot, as shown and described.

**DESCRIPTION**

- 1. Transfer robot
- 1.1 : Perspective
- 1.2 : Perspective
- 1.3 : Front
- 1.4 : Back
- 1.5 : Right
- 1.6 : Left
- 1.7 : Top
- 1.8 : Bottom

The essential characteristics of the design are featured in its shape.

**1 Claim, 8 Drawing Sheets**



(56)

**References Cited**

## U.S. PATENT DOCUMENTS

D918,976 S \* 5/2021 Micut ..... D13/168  
D929,478 S \* 8/2021 Mork ..... D15/199  
D929,479 S \* 8/2021 Gao ..... D15/199  
D937,337 S \* 11/2021 Zhao ..... B65G 1/0492  
D15/199  
D938,115 S \* 12/2021 Jang ..... D32/21  
D946,069 S \* 3/2022 Mørk ..... D15/199  
D947,916 S \* 4/2022 Zhao ..... B65G 1/0492  
D15/199  
D960,950 S \* 8/2022 Dunten ..... D15/199  
D963,721 S \* 9/2022 Tang ..... D15/199  
D969,896 S \* 11/2022 Kong ..... D15/199

## OTHER PUBLICATIONS

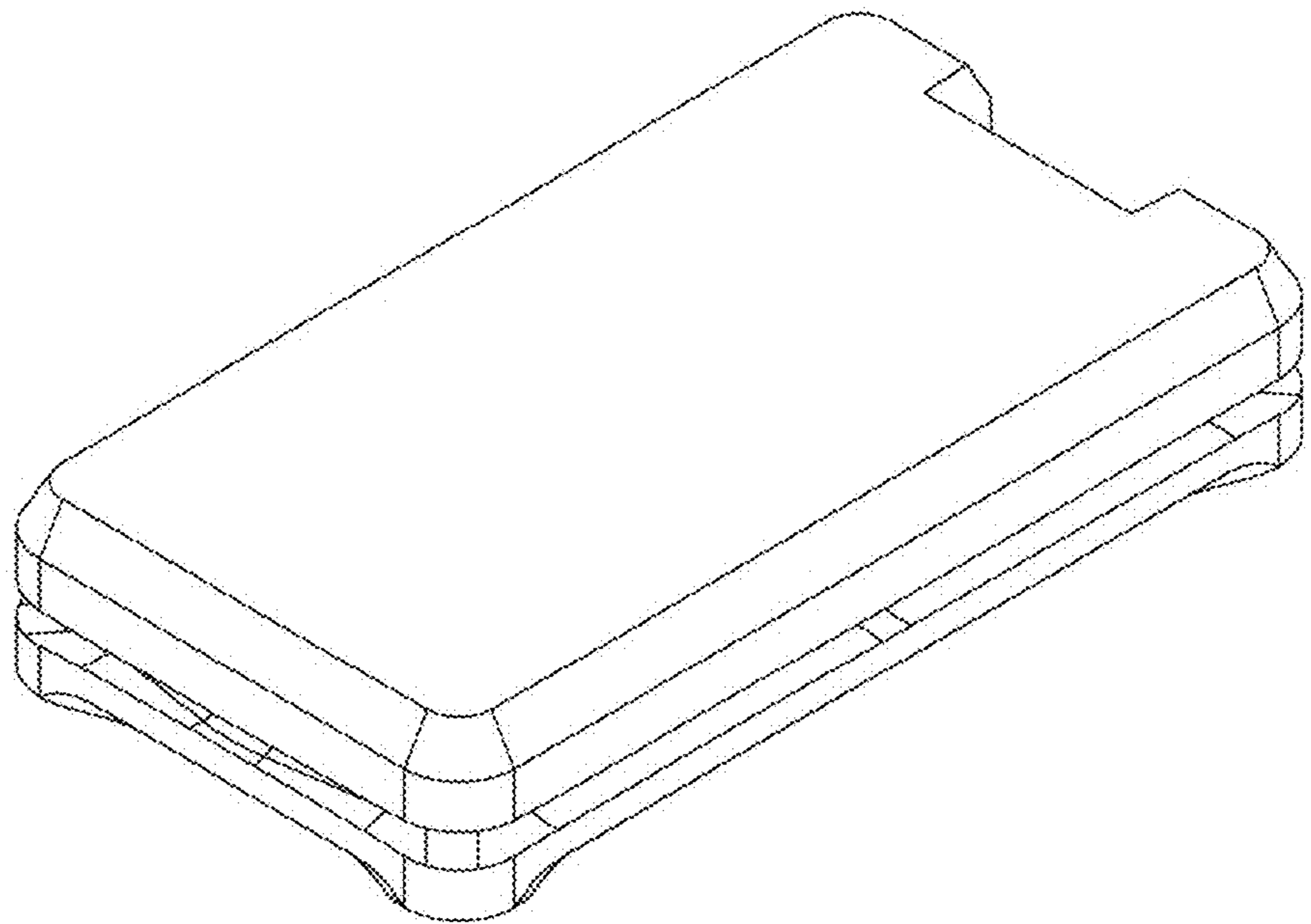
Locus Robotics, "Meet the Locus Max", (posted Dec. 7, 2022),  
Twitter.com, URL:<<https://twitter.com/LocusRobotics/status/1600536105450934282?cxt=HHwWIMC4-fPGn7YsAAAA>> (Year:  
2022).\*

Otto Motors, "Versatility and durability in a small, powerful pack-  
age", (site visited Feb. 10, 2023), Ottomotors.com, URL:<<https://ottomotors.com/100#stats>> (Year: 2023).\*

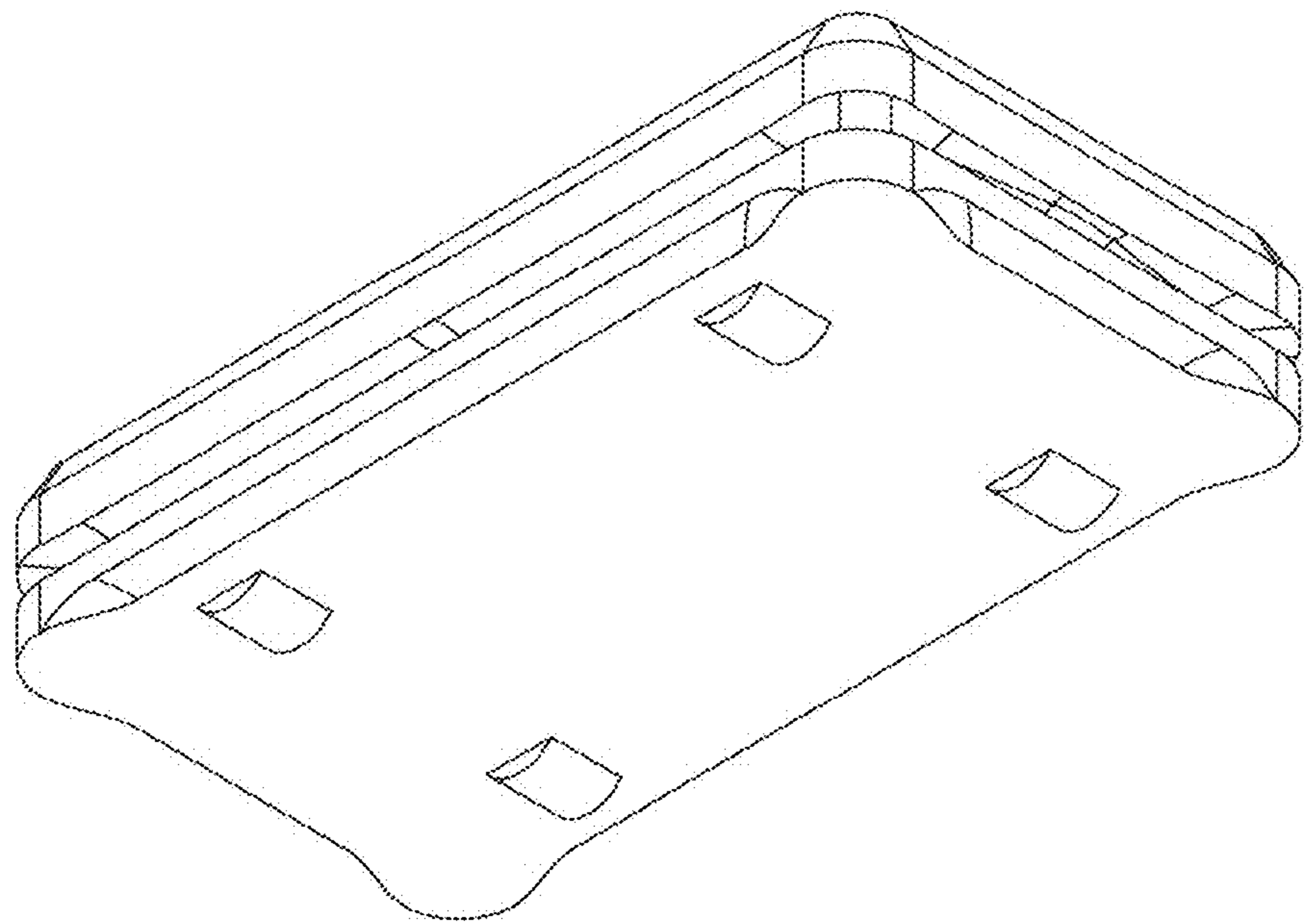
Robots Your Guide To the World of Robotics, "Otto", (site visited  
Feb. 10, 2023), Robots.ieee.org website, URL:<<https://robots.ieee.org/robots/otto/>> (Year: 2023).\*

\* cited by examiner

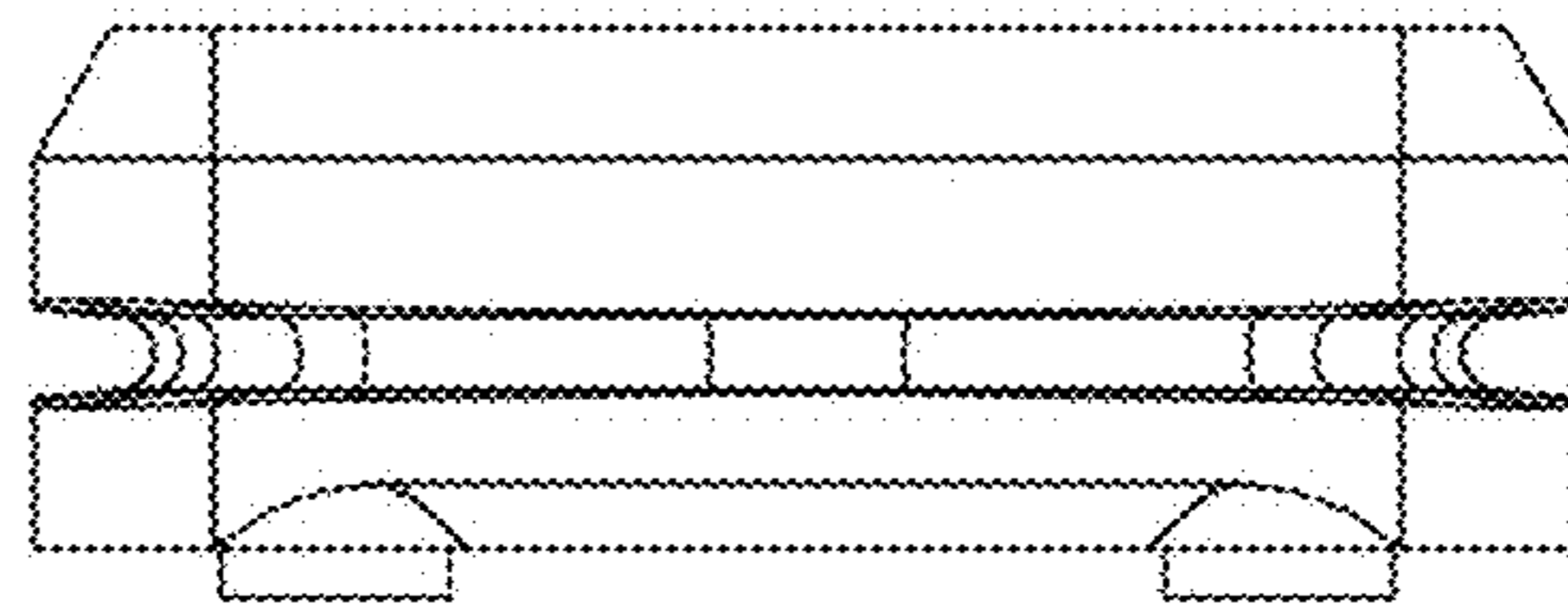
1.1



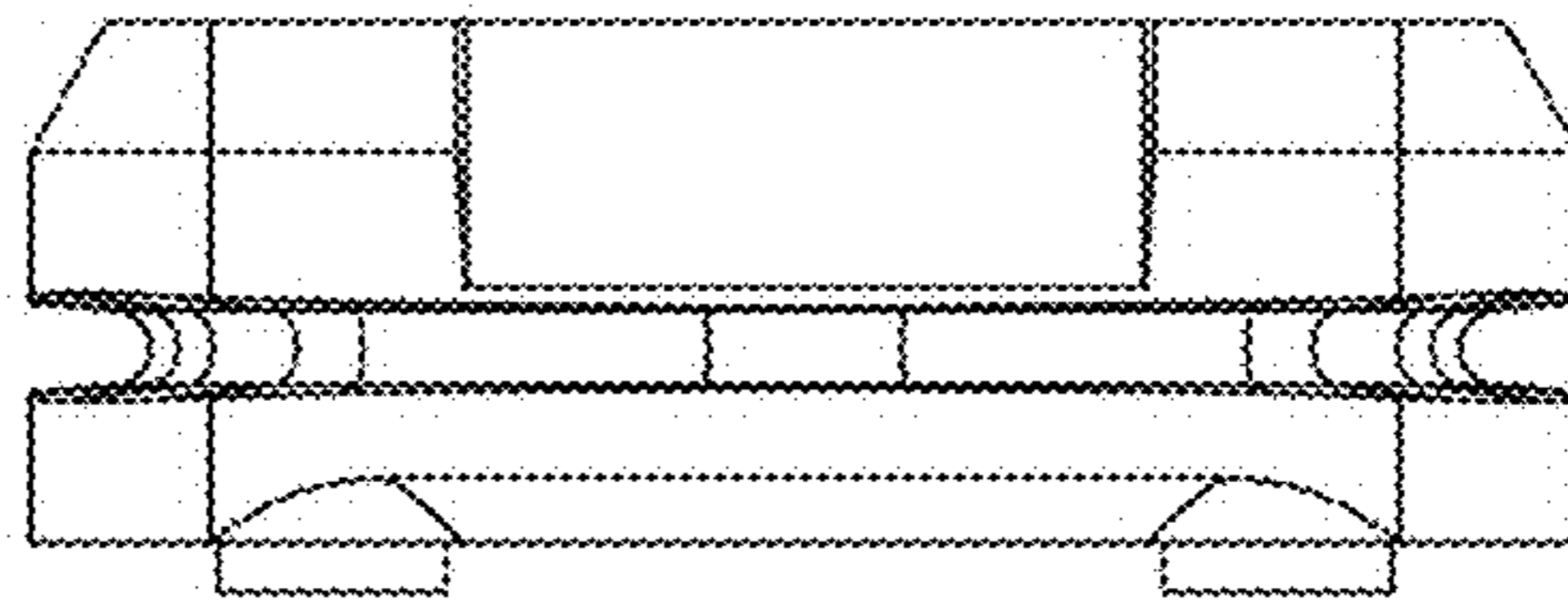
1.2



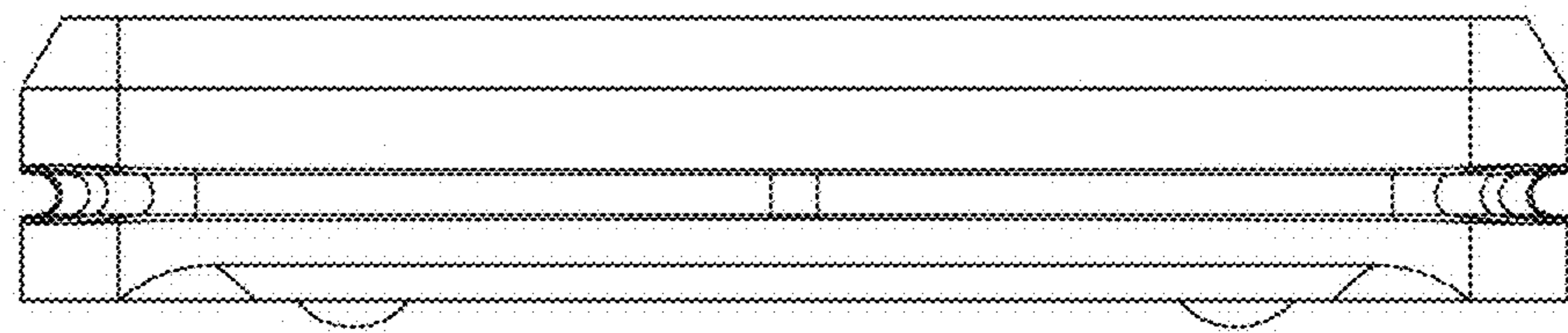
1.3



1.4

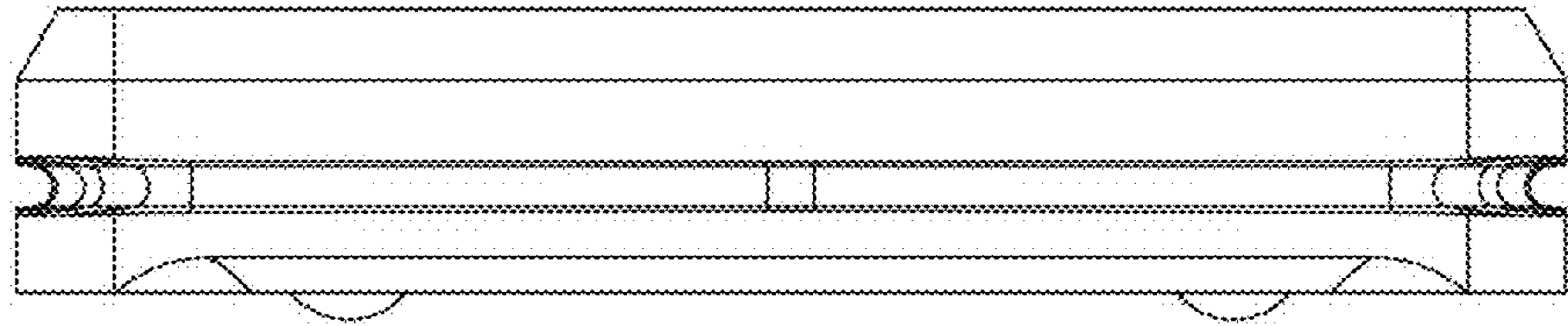


1.5



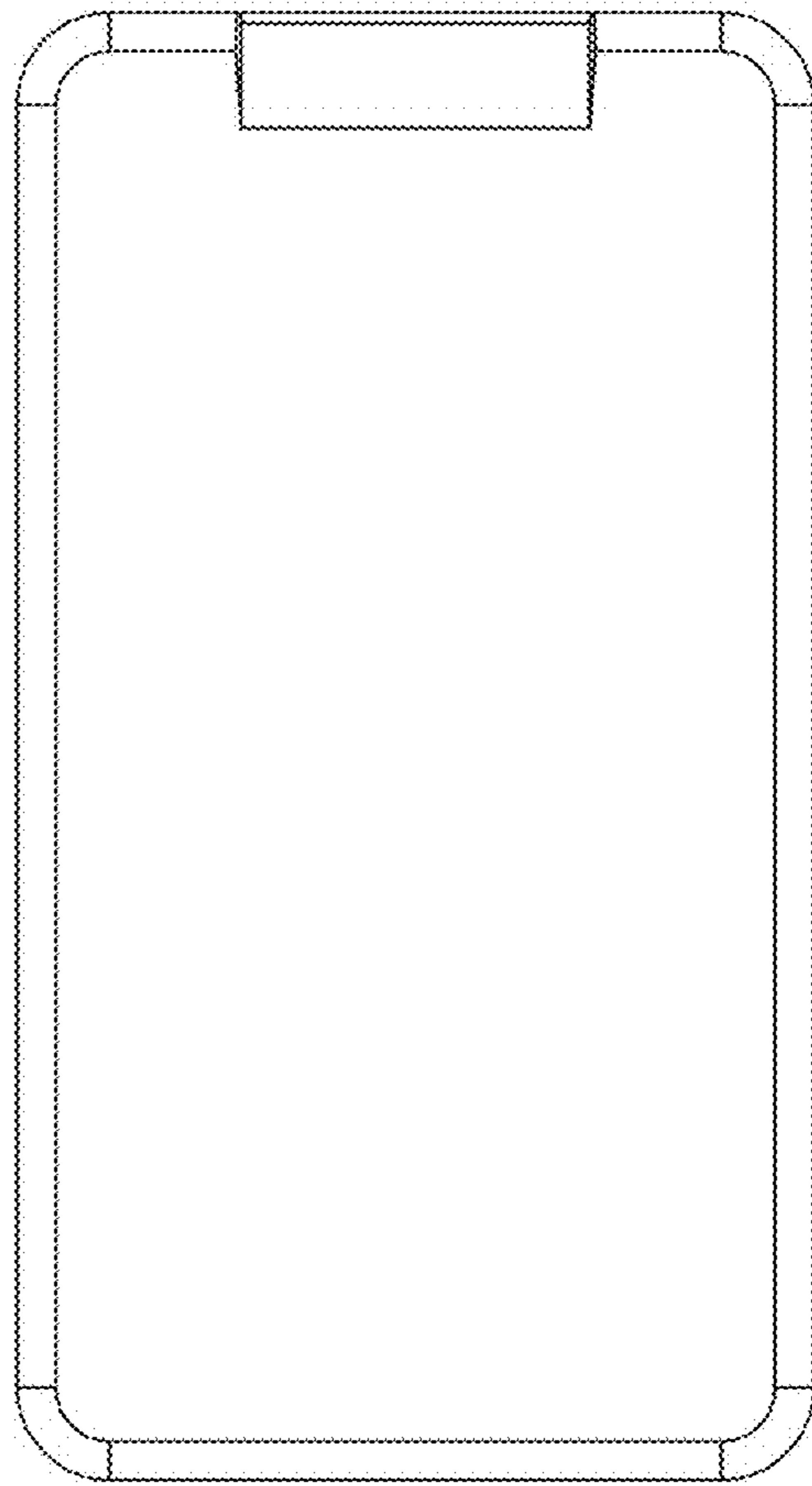


1.6





1.7



1.8

