



US00D989833S

(12) **United States Design Patent**  
**Abreu et al.**

(10) **Patent No.:** **US D989,833 S**  
(45) **Date of Patent:** **\*\* Jun. 20, 2023**

(54) **HOUSEHOLD ROBOT**  
(71) Applicant: **SHENZHEN TCL NEW TECHNOLOGY CO., LTD.**, Shenzhen (CN)  
(72) Inventors: **Tiago Abreu**, Shenzhen (CN); **Qingyu Chen**, Shenzhen (CN); **Weisi Zhan**, Shenzhen (CN); **Nairu Ge**, Shenzhen (CN)  
(\*\*) Term: **15 Years**  
(21) Appl. No.: **35/514,865**  
(22) Filed: **Jul. 15, 2022**  
(80) **Hague Agreement Data**

D885,453 S \* 5/2020 Lindegren ..... G03B 21/10 D15/199  
D888,121 S \* 6/2020 Kim ..... D15/199  
D891,496 S \* 7/2020 Okawa ..... D15/199  
D896,291 S \* 9/2020 Xing ..... D15/199  
D897,385 S \* 9/2020 Zhang ..... D15/199  
D898,789 S \* 10/2020 Nazarihorram ..... D15/199  
D909,496 S \* 2/2021 Zou ..... D21/578  
D918,979 S \* 5/2021 Mullan ..... D21/578  
D922,465 S \* 6/2021 Lee ..... B25J 11/00 D15/199  
D923,723 S \* 6/2021 Yang ..... D21/578  
D934,323 S \* 10/2021 Michaelian ..... D21/608  
D936,719 S \* 11/2021 Mok ..... B25J 11/009 D15/199  
D940,883 S \* 1/2022 Fox ..... D24/186  
(Continued)

Int. Filing Date: **Jul. 15, 2022**  
Int. Reg. No.: **DM/222292**  
Int. Reg. Date: **Jul. 15, 2022**  
Int. Reg. Pub. Date: **Aug. 5, 2022**

**OTHER PUBLICATIONS**

Amazon, Echo Show 10 (3rd Gen), (site visited Jan. 20, 2023), Amzon.com, URL:<<https://www.amazon.com/echo-show-10/dp/B082X1HRV5>> (Year: 2023).\*  
(Continued)

(30) **Foreign Application Priority Data**  
May 31, 2022 (CN) ..... 202230329935.X  
(51) **LOC (14) Cl.** ..... **15-99**  
(52) **U.S. Cl.**  
USPC ..... **D15/199**  
(58) **Field of Classification Search**  
USPC ..... D21/578, 592; D23/356, 360, 362, 364, D23/366, 499; D15/199  
CPC ..... G06Q 10/0836; G05D 1/0225; G05D 1/0297; B65G 1/137; B65G 1/1373; B65G 1/127; B66F 9/063; B65D 25/24; B25J 11/0005; B25J 11/008; B25J 9/0009  
See application file for complete search history.

*Primary Examiner* — Calvin E Vansant  
*Assistant Examiner* — Mark T. Philipps

(57) **CLAIM**

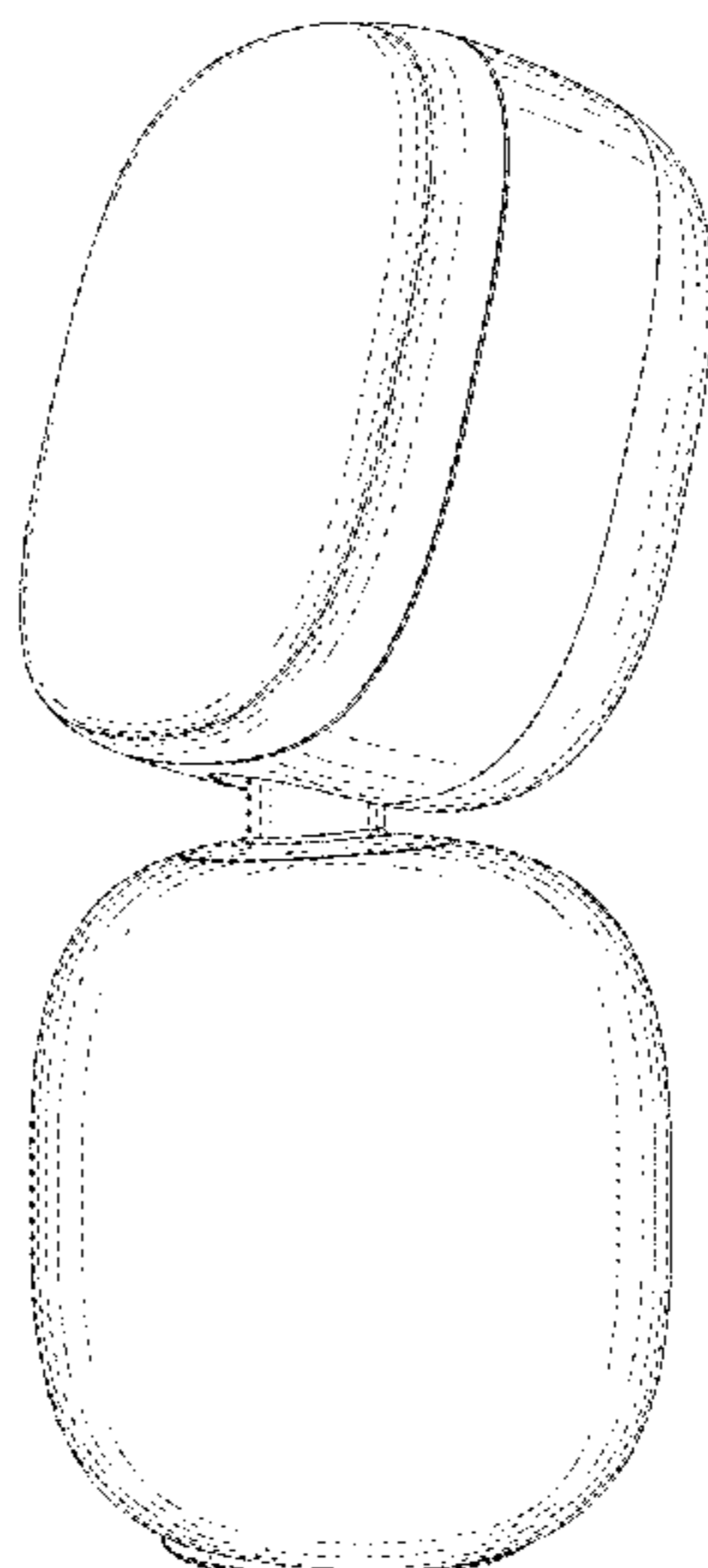
The ornamental design for a household robot, as shown and described.

**DESCRIPTION**

- 1. Household robot
- 1.1 : Front
- 1.2 : Back
- 1.3 : Left
- 1.4 : Right
- 1.5 : Top
- 1.6 : Bottom
- 1.7 : Perspective
- 1.8: Perspective of household robot in a state of use in which the head is tilted

(56) **References Cited**  
U.S. PATENT DOCUMENTS  
D741,836 S \* 10/2015 Greenwood ..... D14/207  
D838,758 S \* 1/2019 Kymm ..... D21/578  
D863,356 S \* 10/2019 Akana ..... D14/496  
D879,853 S \* 3/2020 Baba ..... D15/199  
D881,249 S \* 4/2020 Kim ..... D15/199

**1 Claim, 8 Drawing Sheets**



(56)

**References Cited**

U.S. PATENT DOCUMENTS

|              |    |   |         |           |       |              |
|--------------|----|---|---------|-----------|-------|--------------|
| D947,552     | S  | * | 4/2022  | Shin      | ..... | D6/309       |
| D951,370     | S  | * | 5/2022  | Zhang     | ..... | D15/199      |
| D956,842     | S  | * | 7/2022  | Lee       | ..... | B25J 9/1694  |
|              |    |   |         |           |       | D15/199      |
| D958,860     | S  | * | 7/2022  | Delaunay  | ..... | D15/199      |
| D958,861     | S  | * | 7/2022  | Yao       | ..... | D15/199      |
| D961,692     | S  | * | 8/2022  | Pirjanian | ..... | D21/578      |
| D966,433     | S  | * | 10/2022 | Tian      | ..... | D15/199      |
| D969,189     | S  | * | 11/2022 | Son       | ..... | D15/199      |
| D970,572     | S  | * | 11/2022 | Ahn       | ..... | D15/199      |
| D971,979     | S  | * | 12/2022 | Takagi    | ..... | D15/199      |
| D972,047     | S  | * | 12/2022 | Bourke    | ..... | D21/578      |
| 2020/0030963 | A1 | * | 1/2020  | Youn      | ..... | B25J 11/0005 |

OTHER PUBLICATIONS

Matt O'Brien, "Are humans ready for the rise of personal home robots?", (published Aug. 8, 2018), CTV News, URL:<<https://www.ctvnews.ca/sci-tech/are-humans-ready-for-the-rise-of-personal-home-robots-1.4044665>> (Year: 2018).\*

Eilik, A Desktop Companion Robot with Emotional Intelligence, (site visited Jan. 20, 2023), Amzon.com, URL:<<https://www.amazon.com/ENERGIZELAB-LAB-Eilik-Intelligence-Interactions/dp/B09XGQMSMB>> (Year: 2023).\*

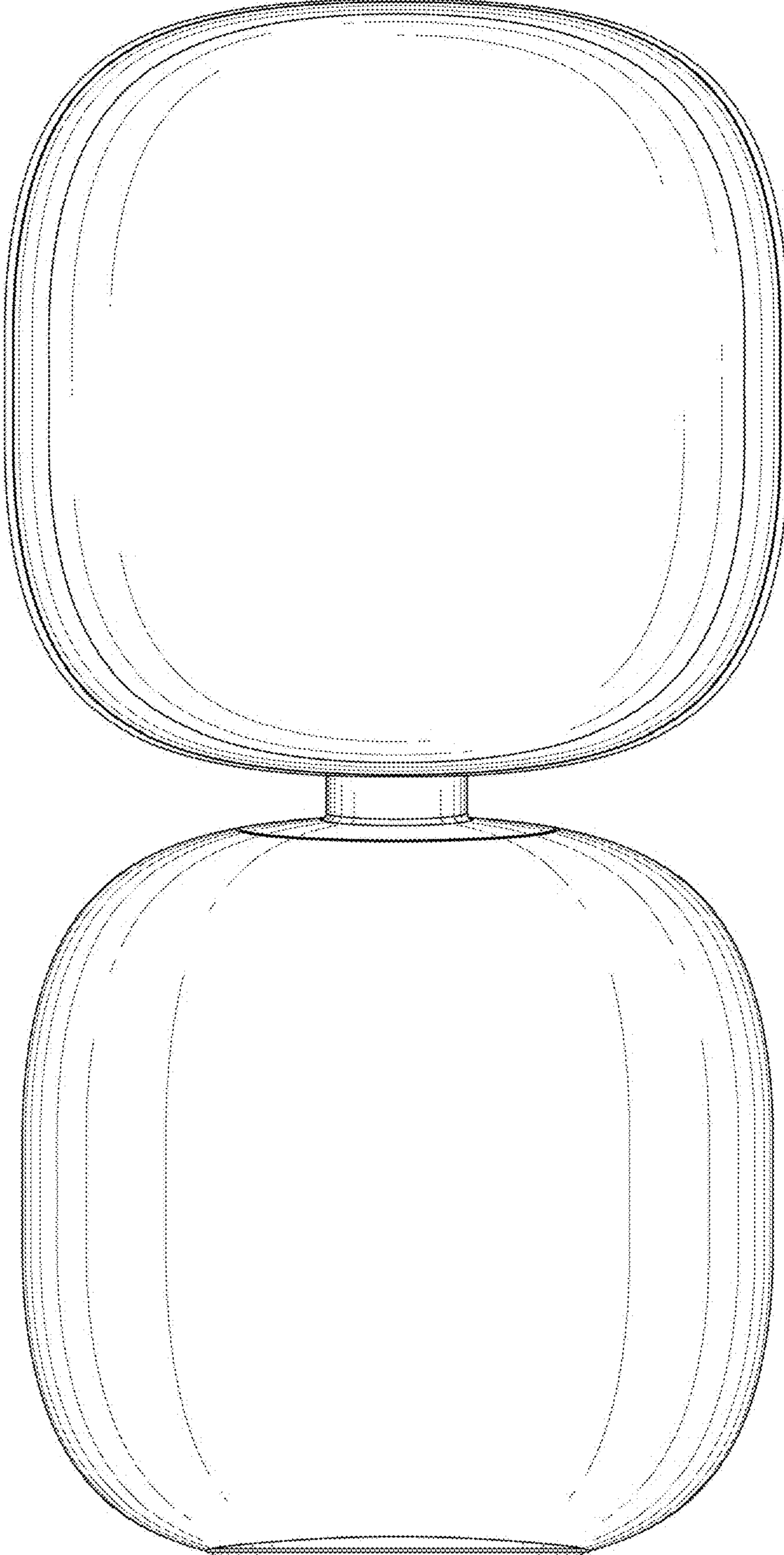
Joe Svetlik, "Buddy is a home robot that will entertain your kids", (published Jul. 13, 2015), Trusted Reviews, URL:<<https://www.trustedreviews.com/news/buddy-is-a-home-robot-that-plays-with-your-kids-2924848>> (Year: 2015).\*

Miko, AI-Powered Smart Robot for Kids, (site visited Jan. 20, 2023), Amzon.com, URL:<<https://www.amazon.com/dp/B09RWYTYGB>> (Year: 2023).\*

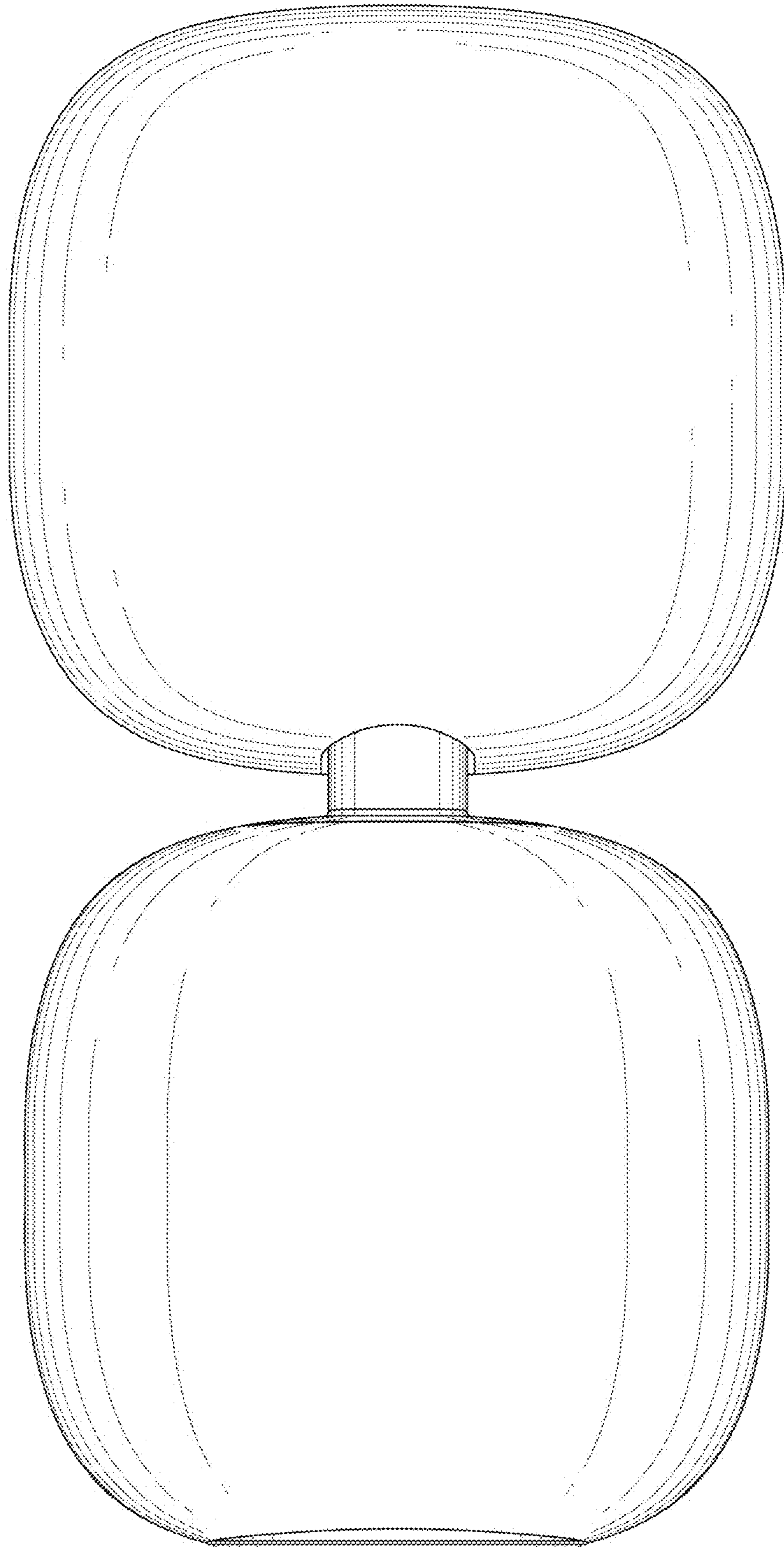
Amy Poole, "This Belkin iPhone 12 stand will follow you during recordings with face tracking", (published Apr. 1, 2021), Trusted Reviews, URL:<<https://thegadgetflow.com/blog/belkin-iphone12-stand-face-tracking/>> (Year: 2021).\*

\* cited by examiner

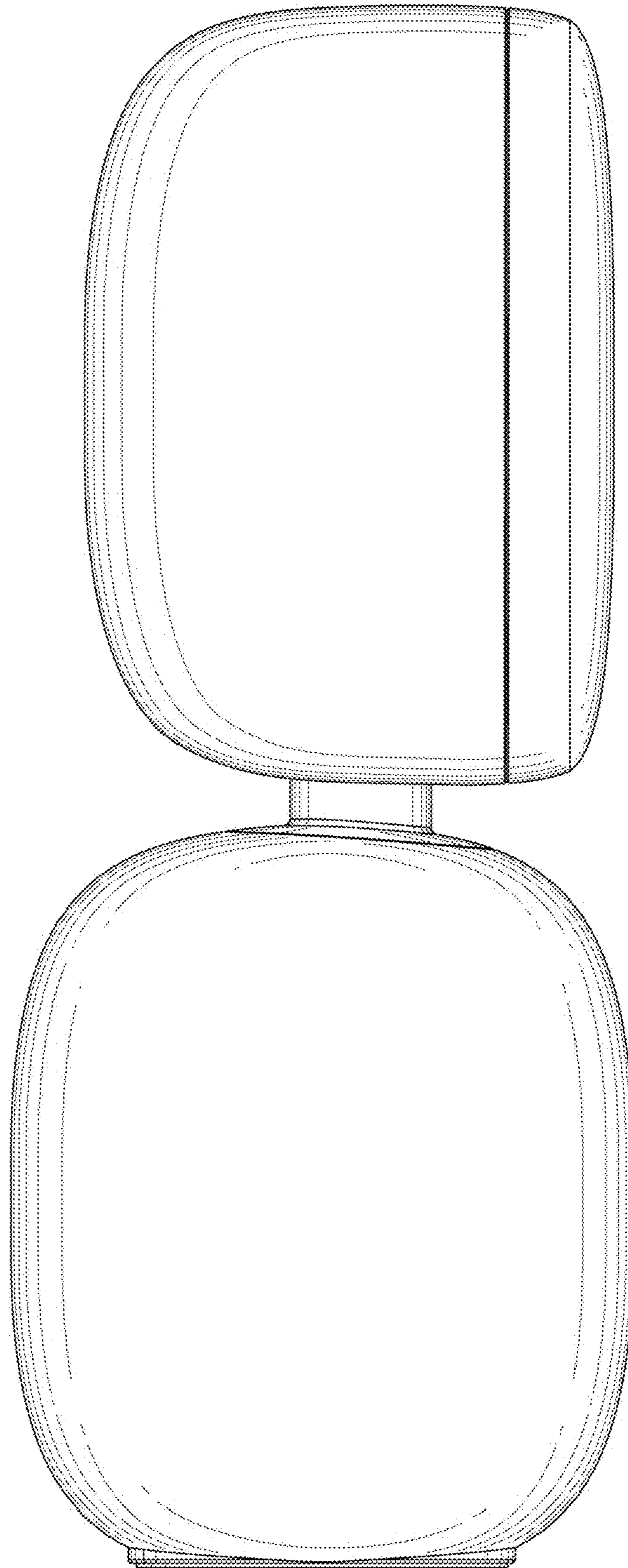
1.1



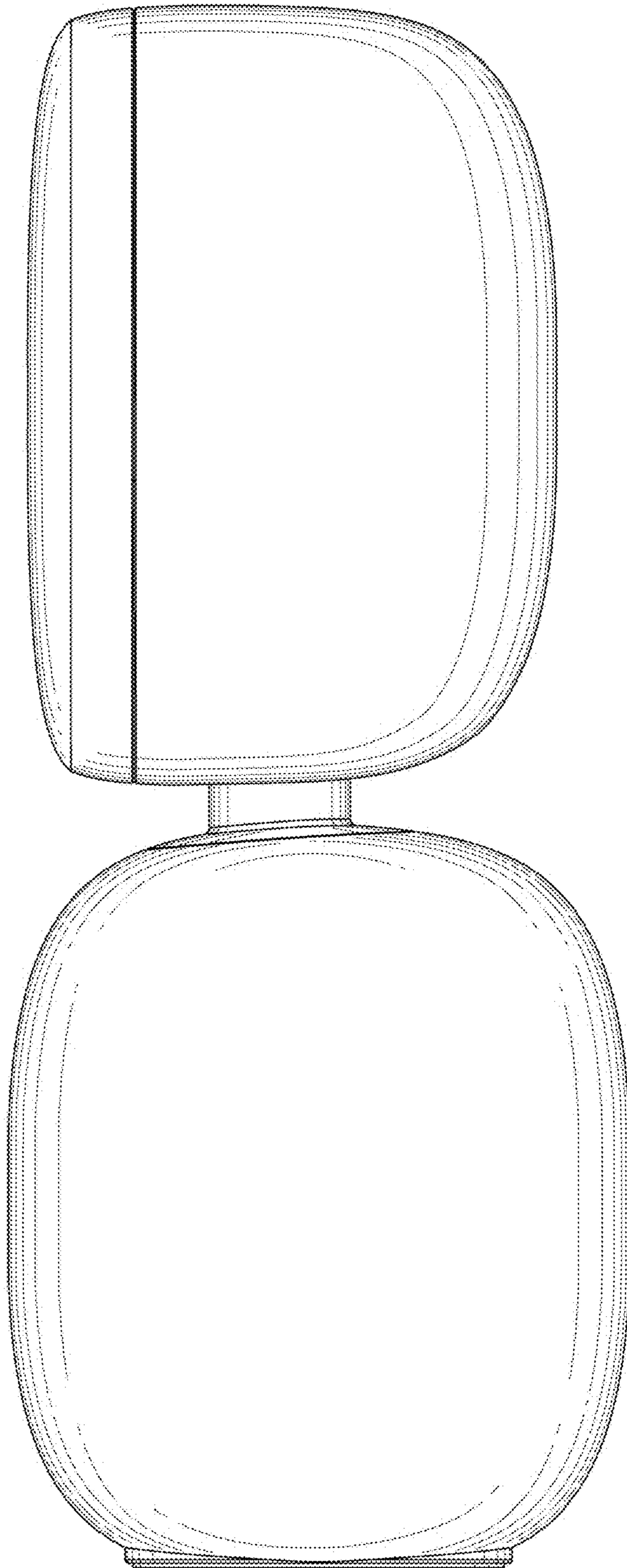
1.2



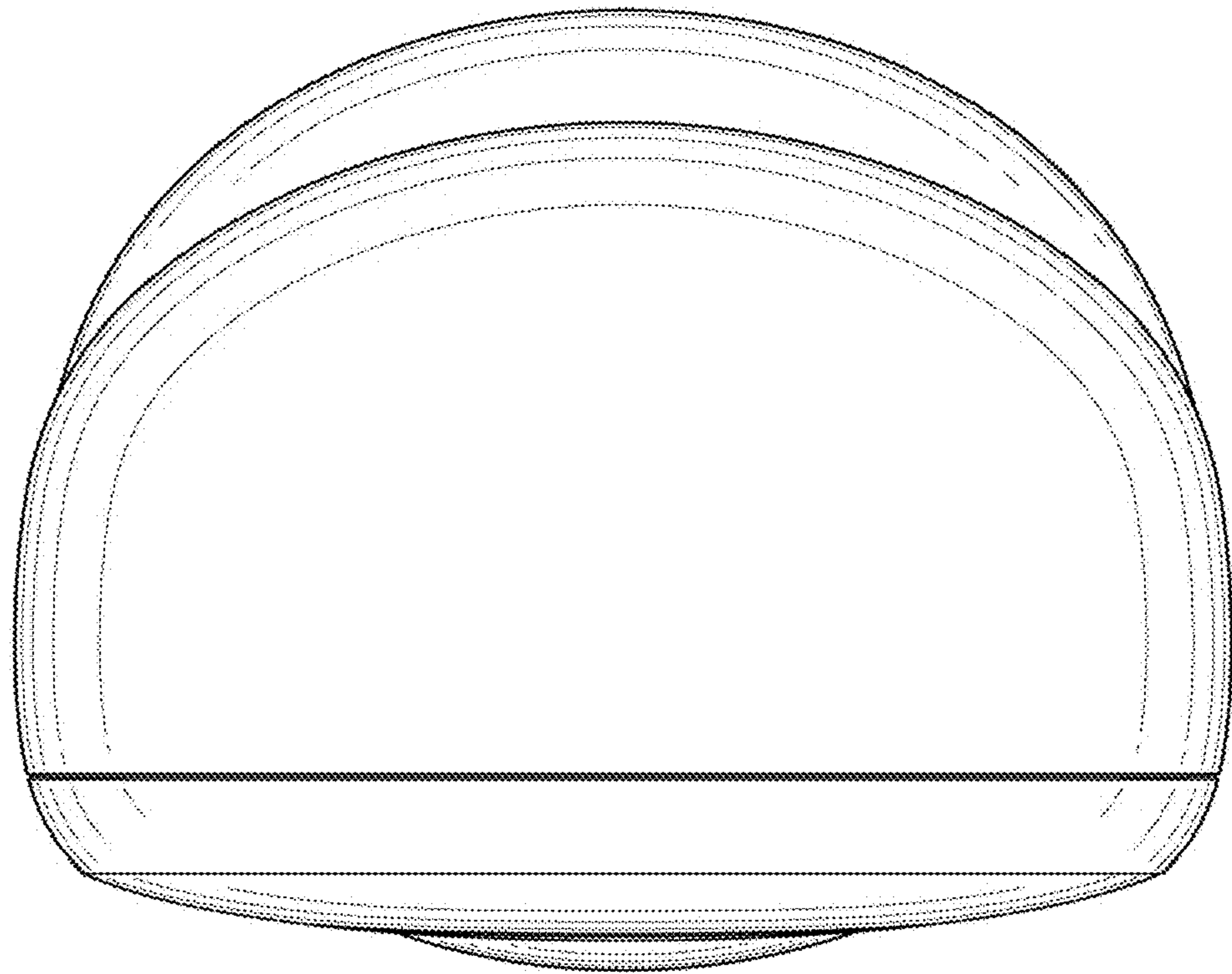
1.3



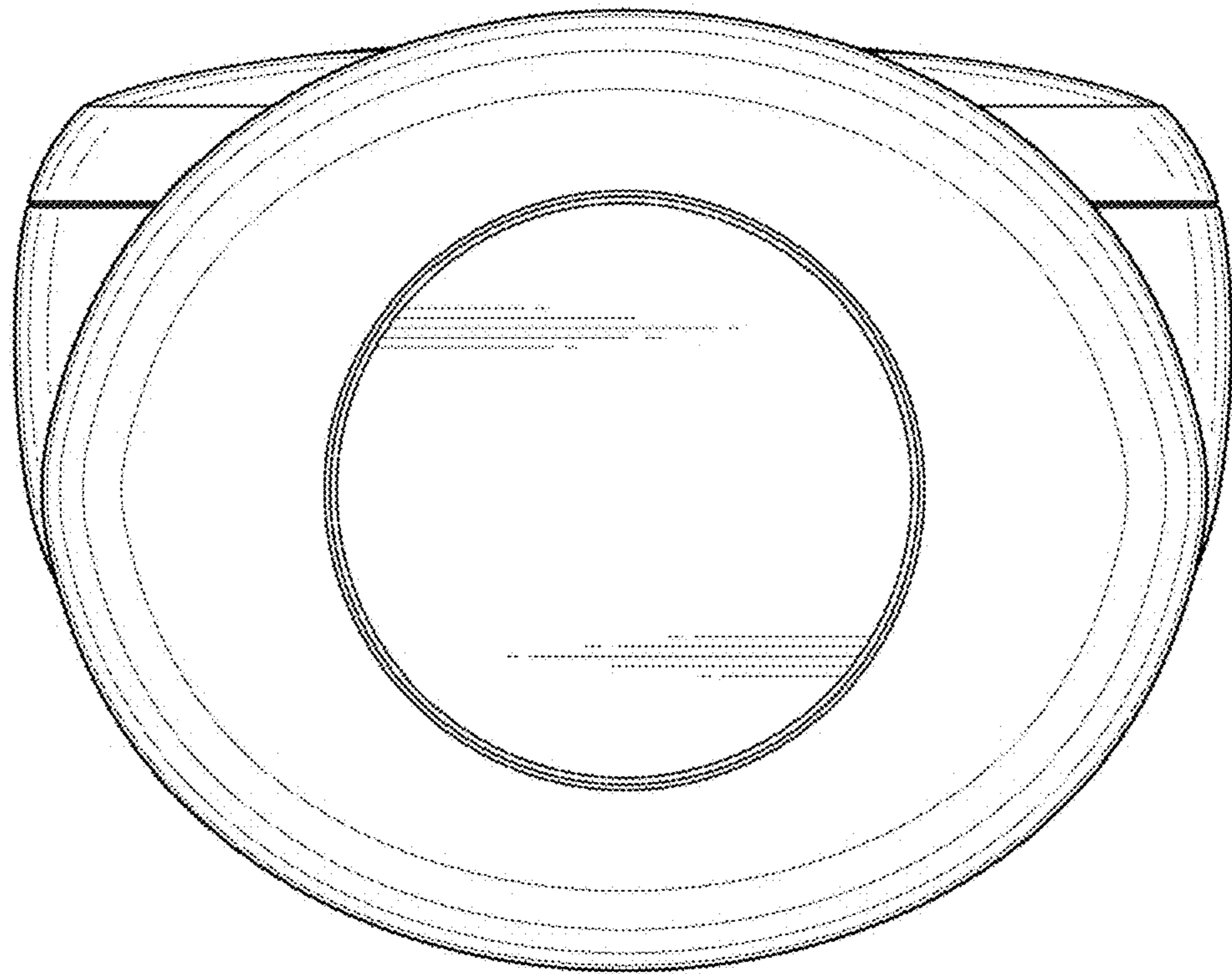
1.4



1.5

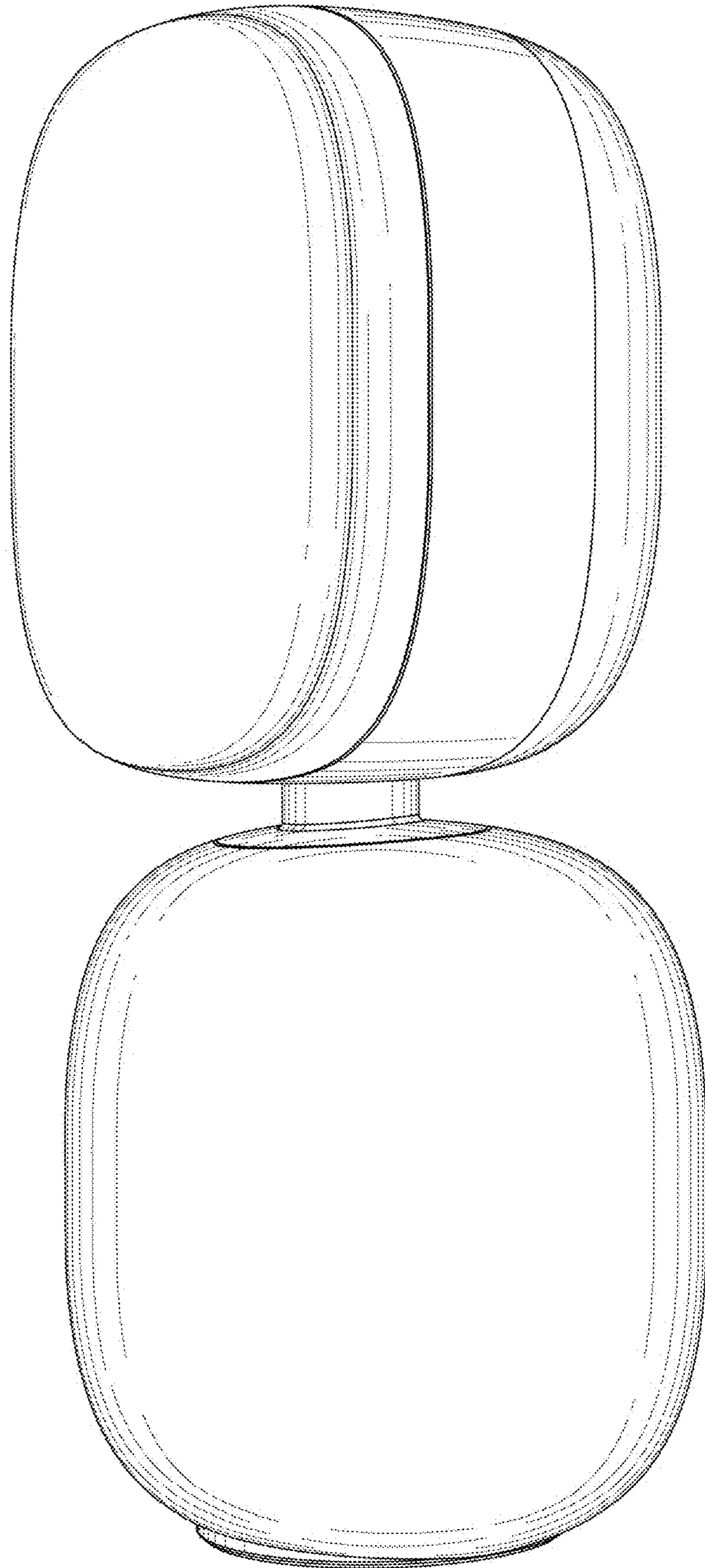


1.6





1.7



1.8

