



US00D989829S

(12) **United States Design Patent**
Gou

(10) **Patent No.:** **US D989,829 S**
(45) **Date of Patent:** **** Jun. 20, 2023**

- (54) **PYROGRAPHY HANDLE**
- (71) Applicant: **Guangzhou Yihua Electronic Equipment Co., Ltd., Guangdong (CN)**
- (72) Inventor: **Mingkang Gou, Guangdong (CN)**
- (73) Assignee: **Guangzhou Yihua Electronic Equipment Co., Ltd., Guangdong (CN)**

(**) Term: **15 Years**

(21) Appl. No.: **29/804,761**

(22) Filed: **Aug. 23, 2021**

(51) **LOC (14) Cl.** **08-05**

(52) **U.S. Cl.**
USPC **D8/30; D15/144.2**

(58) **Field of Classification Search**
USPC D8/29.1, 29.2, 30, 60; D15/144, 144.1, D15/144.2
CPC B23K 3/023; B23K 3/0346; B23K 3/033; B23K 3/022; B23K 3/021
See application file for complete search history.

(56) **References Cited**

U.S. PATENT DOCUMENTS

D317,704 S *	6/1991	Zaborowski	D8/30
D847,233 S *	4/2019	Gou	D15/144
D847,234 S *	4/2019	Gou	D15/144
D847,235 S *	4/2019	Gou	D15/144
D862,547 S *	10/2019	Xie	D8/30
D865,014 S *	10/2019	Xu	D8/30
D887,801 S *	6/2020	Li	D8/30

D891,209 S *	7/2020	Gou	D8/30
D892,579 S *	8/2020	Cheng	D8/30
D897,173 S *	9/2020	Ding	D8/30
D935,500 S *	11/2021	Li	D8/30
D951,049 S *	5/2022	Li	D8/30
D951,316 S *	5/2022	Gou	D15/144.2
D951,317 S *	5/2022	Li	D8/30
D963,447 S *	9/2022	Li	D8/30
D967,683 S *	10/2022	Yang	D8/30

* cited by examiner

Primary Examiner — Michael C Stout

Assistant Examiner — Fritzgerald L Butac

(74) *Attorney, Agent, or Firm* — Lucas & Mercanti, LLP

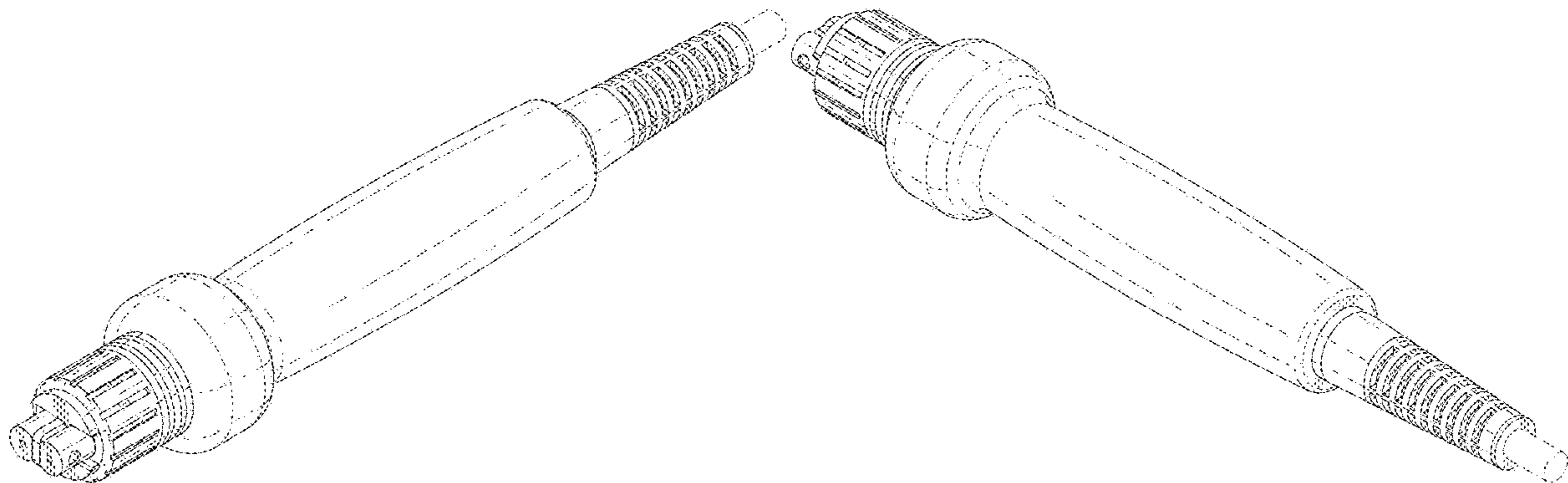
(57) **CLAIM**

The ornamental design for a pyrography handle, as shown and described.

DESCRIPTION

FIG. 1 is a top, front, left side perspective view of the pyrography handle;
FIG. 2 is a top, rear, left side perspective view thereof;
FIG. 3 a top view thereof;
FIG. 4 is a bottom view thereof;
FIG. 5 is a left side view thereof;
FIG. 6 is a right side view thereof;
FIG. 7 is a front view thereof; and,
FIG. 8 is a rear view thereof.
The broken lines show portions of the pyrography handle which form no part of the claimed design.

1 Claim, 6 Drawing Sheets



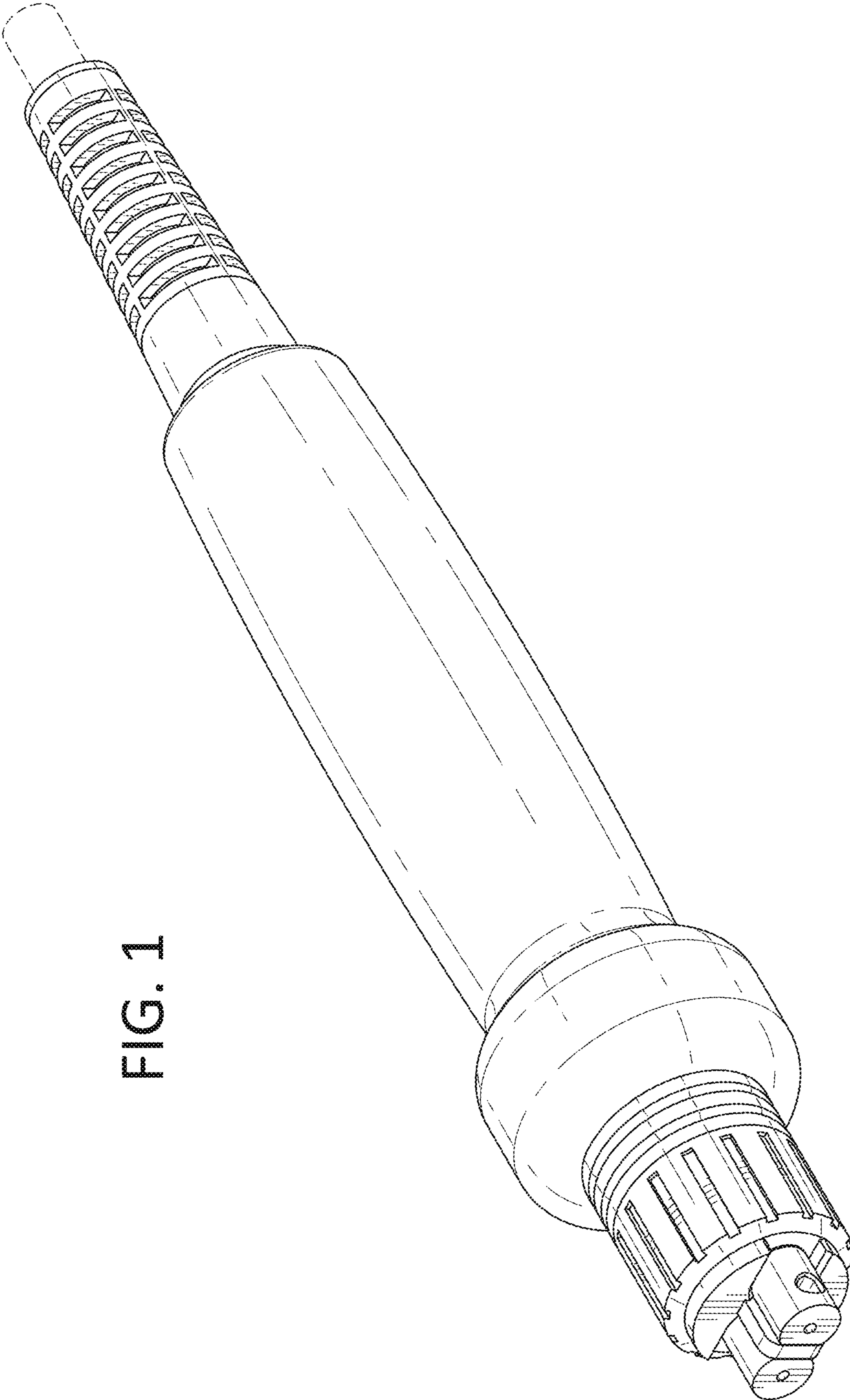
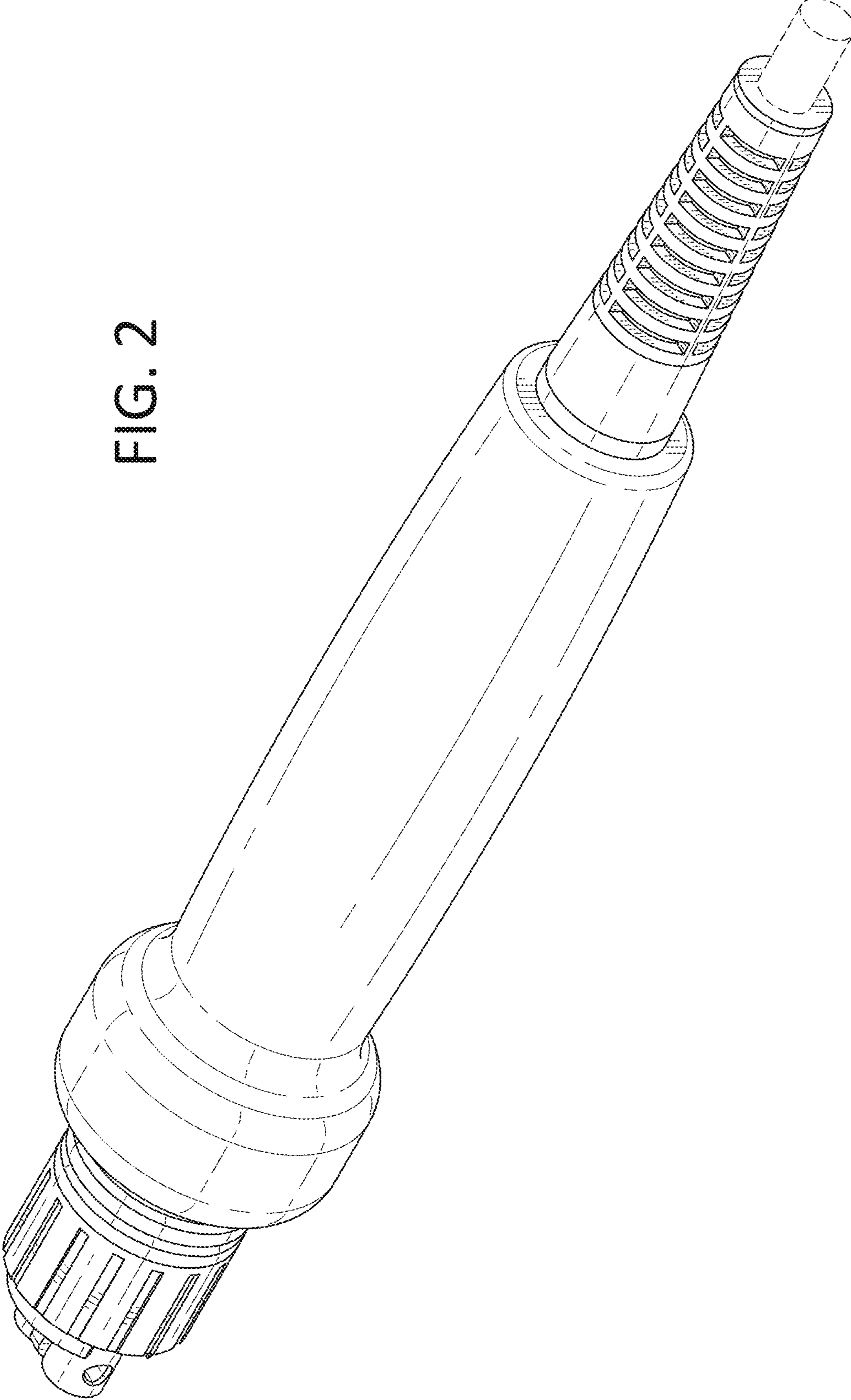


FIG. 1

FIG. 2



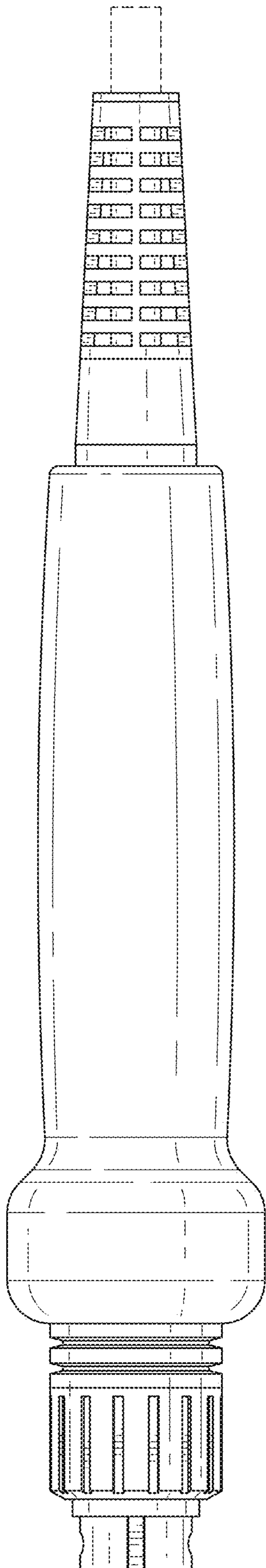


FIG. 3

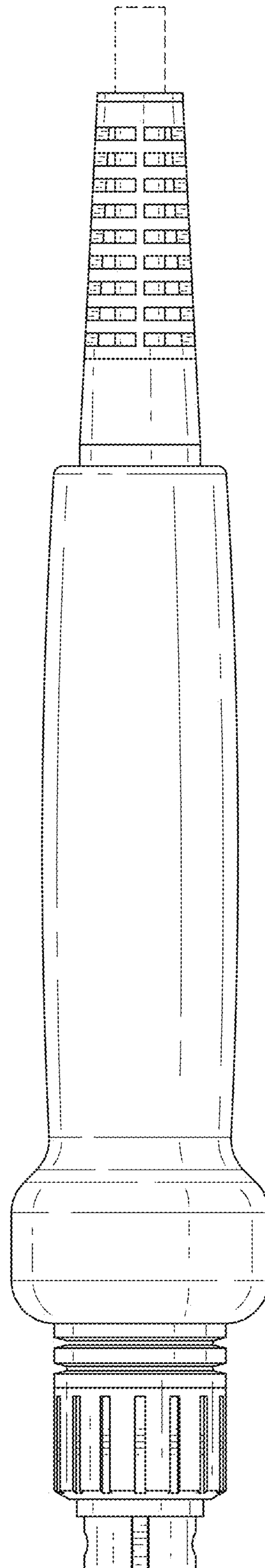


FIG. 4

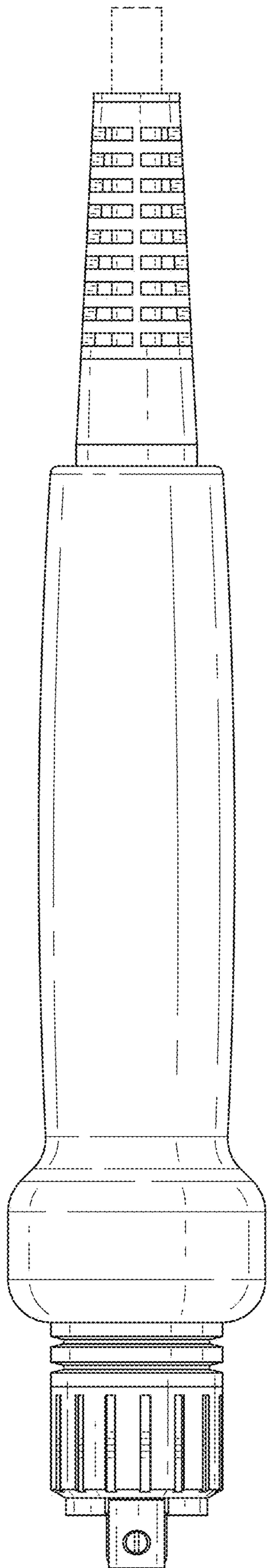


FIG. 5

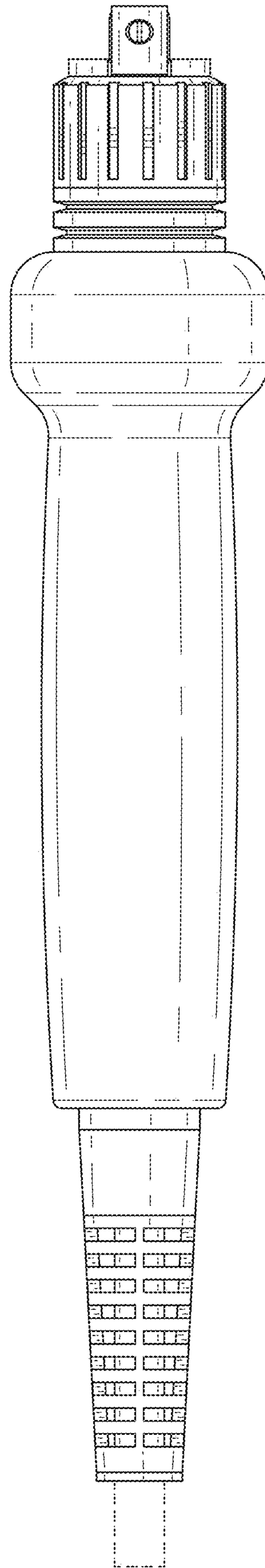


FIG. 6

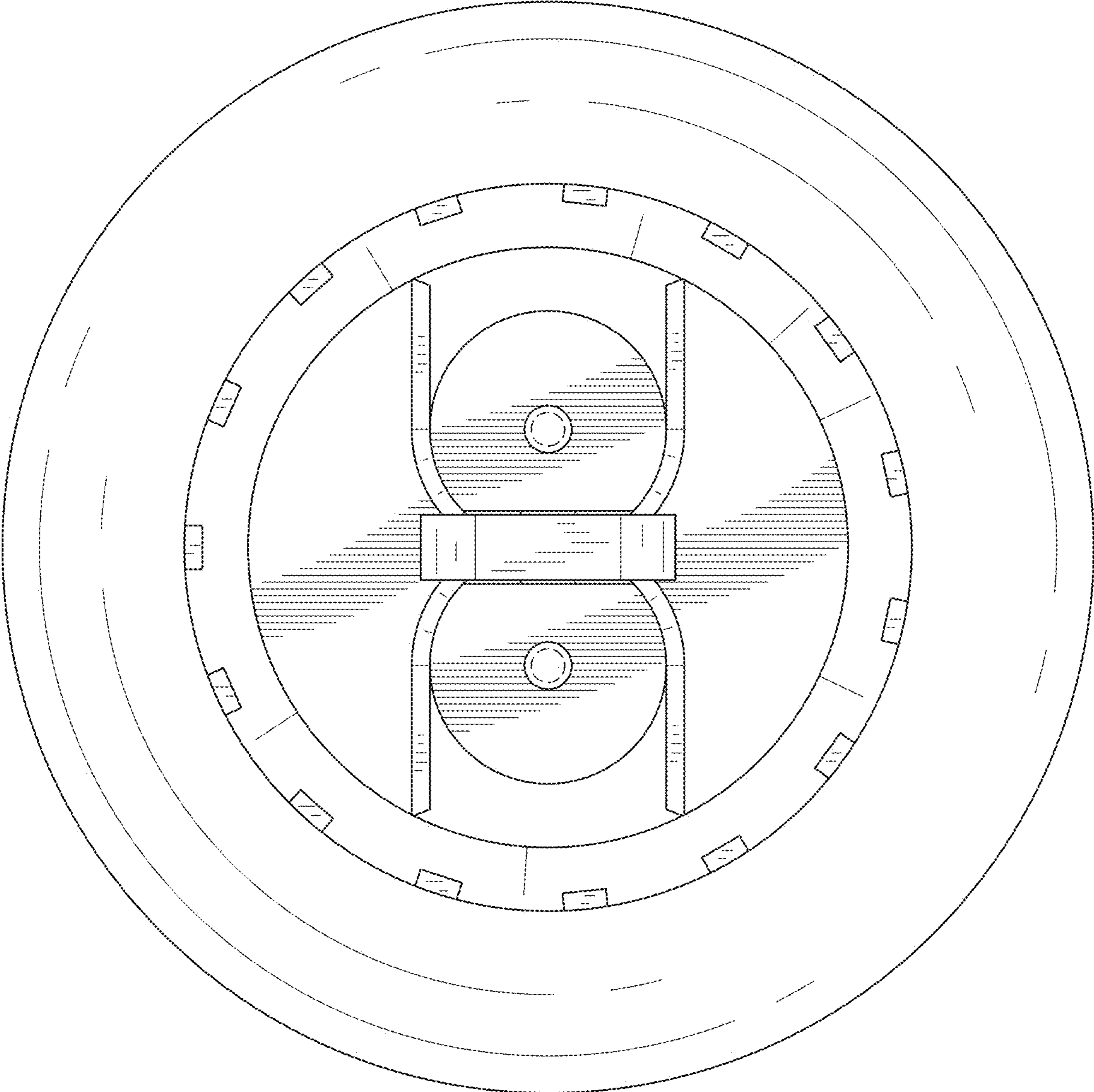


FIG. 7

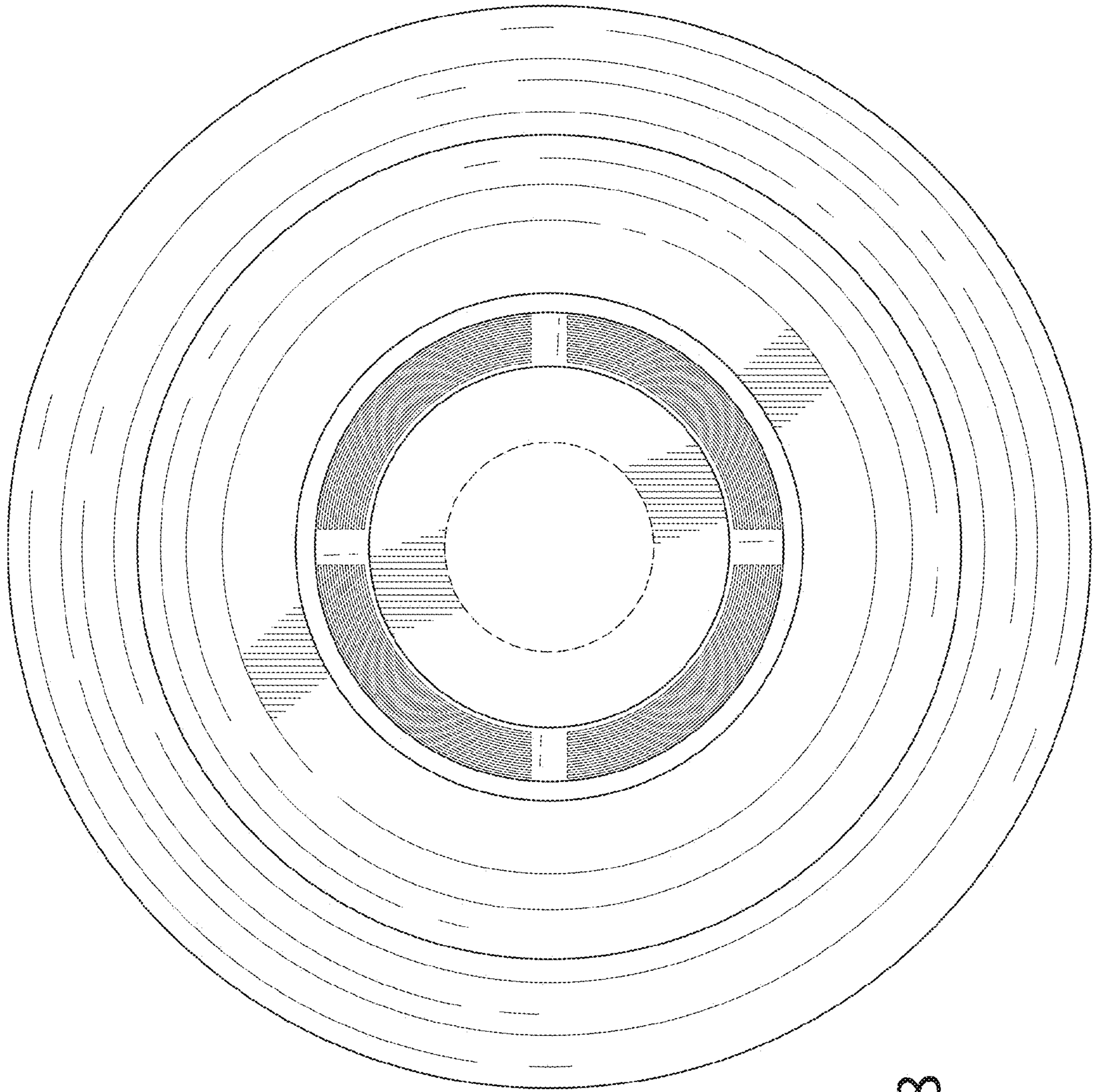


FIG. 8