



US00D989825S

(12) **United States Design Patent**  
**Zeng**

(10) **Patent No.:** **US D989,825 S**  
(45) **Date of Patent:** **\*\* Jun. 20, 2023**

(54) **LASER MODULE OF ENGRAVING MACHINE**

(71) Applicant: **Dongguan Ortur Intelligent Technologies Co., Ltd.**, Dongguan (CN)

(72) Inventor: **Weixu Zeng**, Xinhua (CN)

(\*\*) Term: **15 Years**

(21) Appl. No.: **29/791,184**

(22) Filed: **Jan. 4, 2022**

(30) **Foreign Application Priority Data**

Dec. 21, 2021 (CN) ..... 202130845763.7

(51) **LOC (14) Cl.** ..... **15-09**

(52) **U.S. Cl.**  
USPC ..... **D15/122**

(58) **Field of Classification Search**  
USPC .... D10/46, 49, 61, 62, 70, 81, 83; D15/122, D15/135, 136, 138, 139, 144, 144.1, 199; D18/18, 36, 40, 50, 56; D13/101, 118, D13/184, 166  
CPC .. B23K 26/38; B23K 26/046; B23K 26/0648; B23K 26/1462; B23K 26/352; B23K 26/362; B23K 26/364  
See application file for complete search history.

(56) **References Cited**

**U.S. PATENT DOCUMENTS**

- D399,830 S \* 10/1998 Nagai ..... D13/199
- D469,738 S \* 2/2003 Ishii ..... D13/101
- D509,180 S \* 9/2005 Murray ..... D13/101
- D610,986 S \* 3/2010 Chen ..... D13/101
- D620,432 S \* 7/2010 Chen ..... D13/101
- D665,829 S \* 8/2012 Mueller ..... D15/122
- D796,974 S \* 9/2017 Dallarosa ..... D10/70
- D902,752 S \* 11/2020 Clynne ..... D10/46

- D918,972 S \* 5/2021 Chann ..... D15/127
- D929,880 S \* 9/2021 Lan ..... D10/78
- D941,895 S \* 1/2022 Mordarski ..... D15/127
- D951,312 S \* 5/2022 Mordarski ..... D15/127
- D961,639 S \* 8/2022 Song ..... B23K 26/00 D15/122
- 2022/0128789 A1 \* 4/2022 Zeng ..... G02B 19/0009

**FOREIGN PATENT DOCUMENTS**

ID 201400165 S \* 9/2014

\* cited by examiner

*Primary Examiner* — Michael C Stout

*Assistant Examiner* — Fritzgerald L Butac

(74) *Attorney, Agent, or Firm* — Rमित Ranjit Kanakia

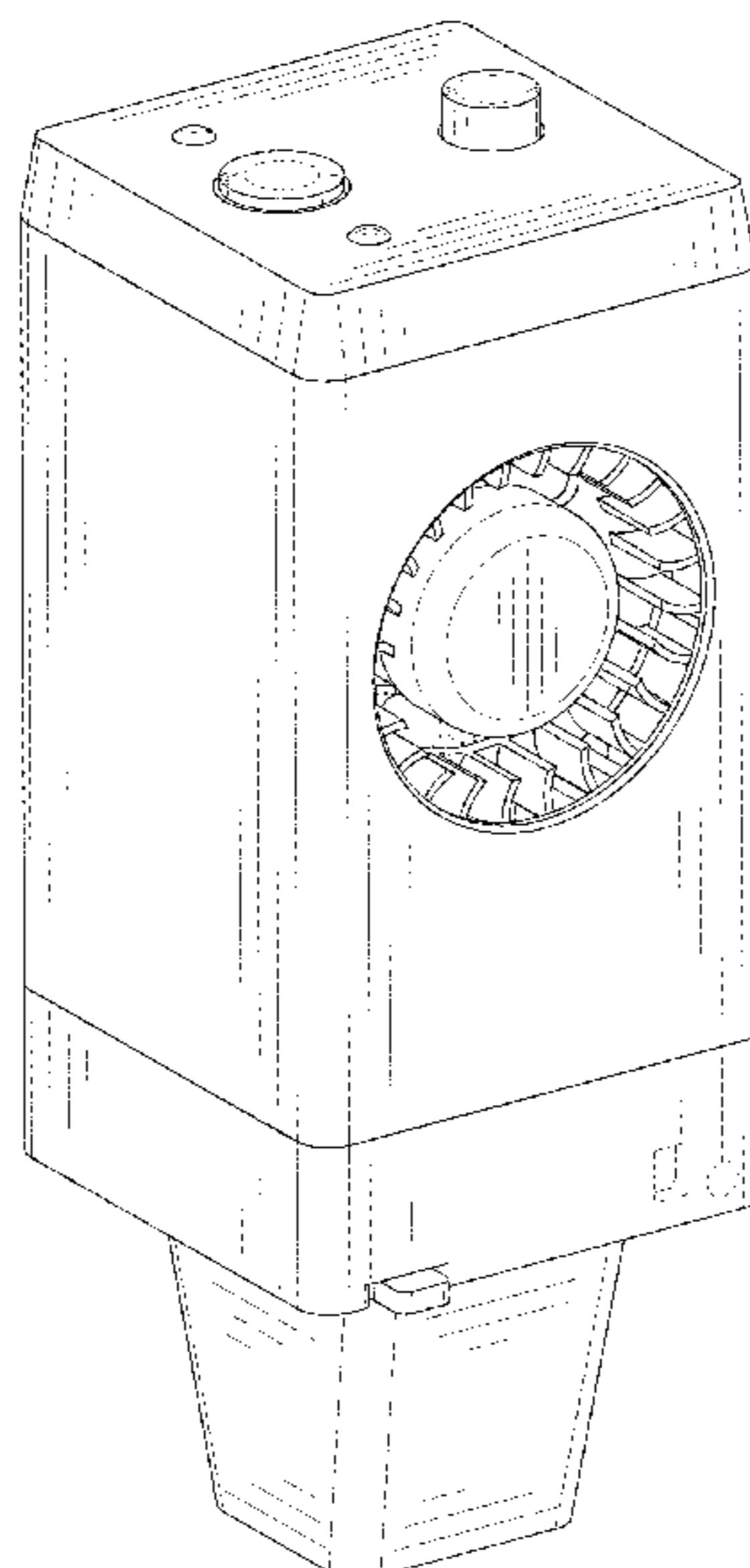
(57) **CLAIM**

The ornamental design for a laser module of engraving machine, as shown and described.

**DESCRIPTION**

FIG. 1 is a perspective view of a laser module of engraving machine showing my new design;  
 FIG. 2 is a front view thereof;  
 FIG. 3 is a back view thereof;  
 FIG. 4 is a left side view thereof;  
 FIG. 5 is a right side view thereof;  
 FIG. 6 is a top view thereof;  
 FIG. 7 is a bottom view thereof;  
 FIG. 8 is another perspective view of a laser module of engraving machine, in an environment of use; and,  
 FIG. 9 is another perspective view of a laser module of engraving machine, in an environment of use.  
 The broken lines seen in FIGS. 8 and 9 are for the purpose of showing environmental structure, and form no part of the claimed design.  
 The broken lines show portions of a laser module of engraving machine which form no part of the claimed design.

**1 Claim, 9 Drawing Sheets**



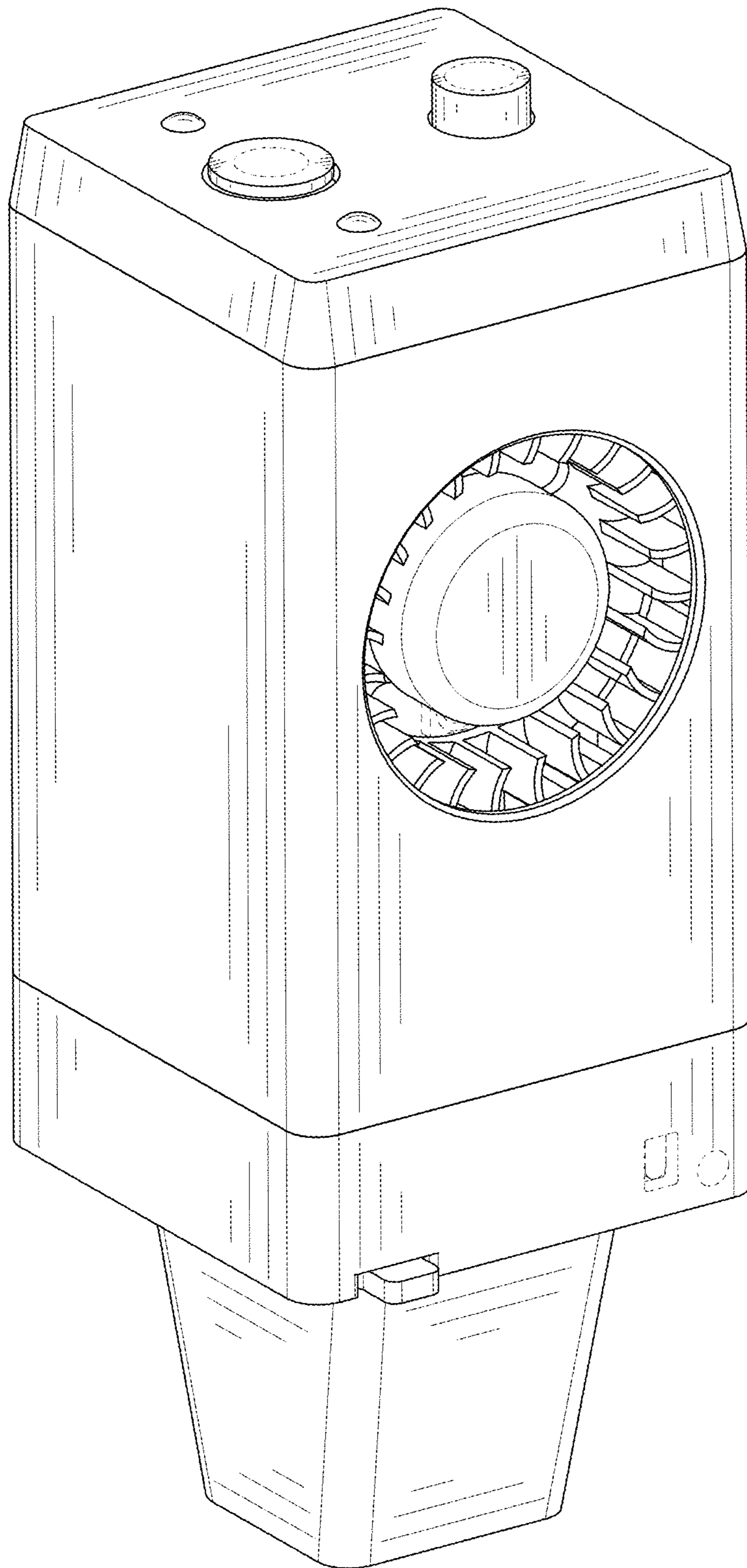


FIG. 1

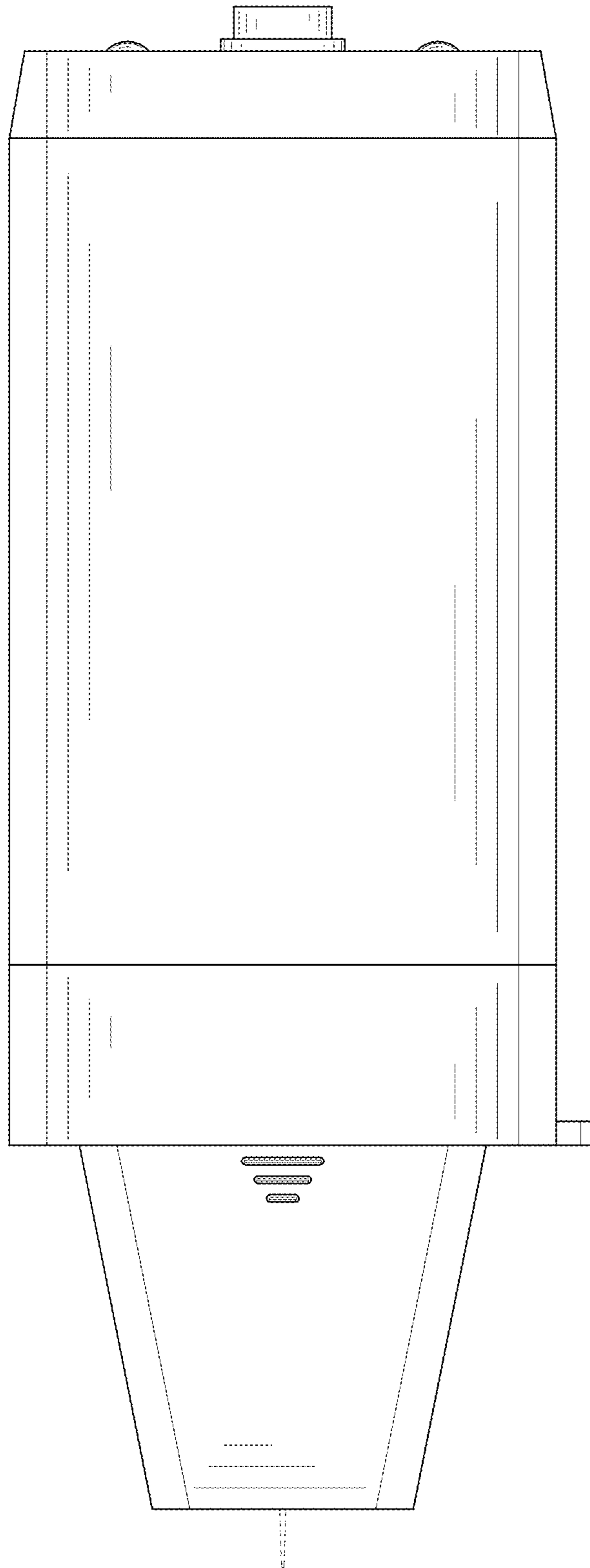


FIG. 2

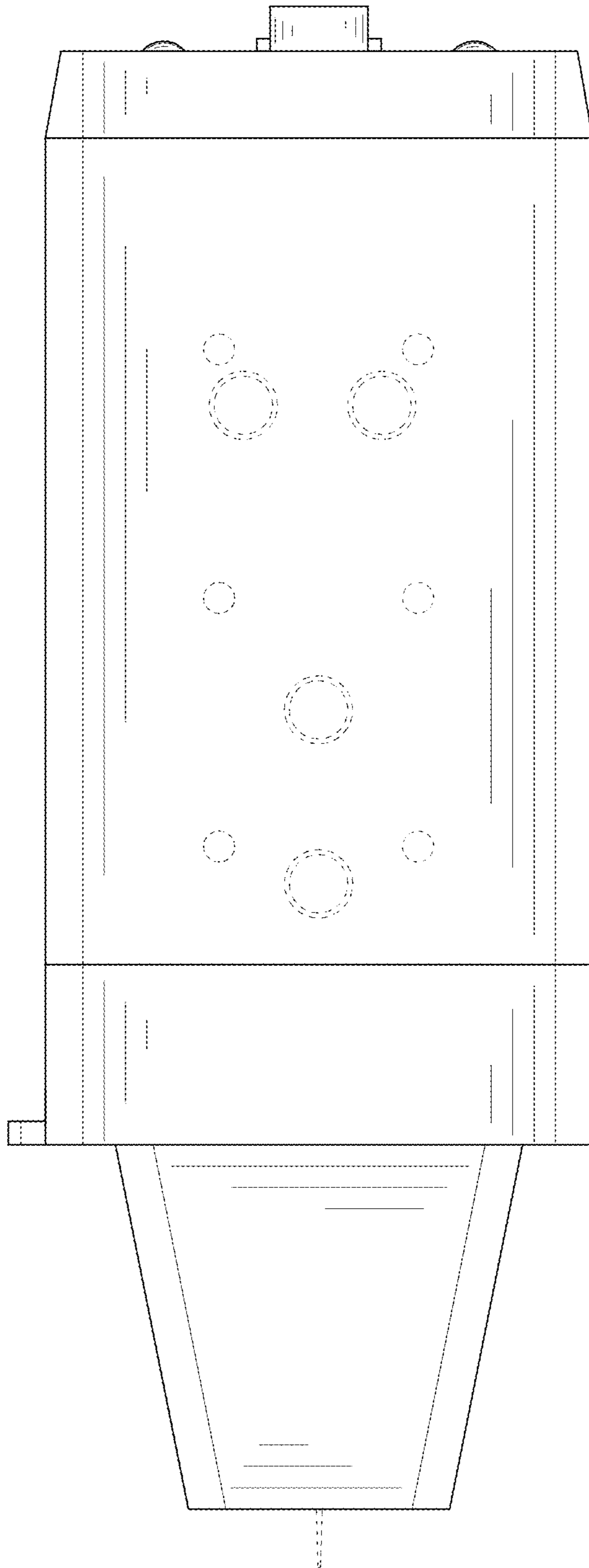


FIG. 3

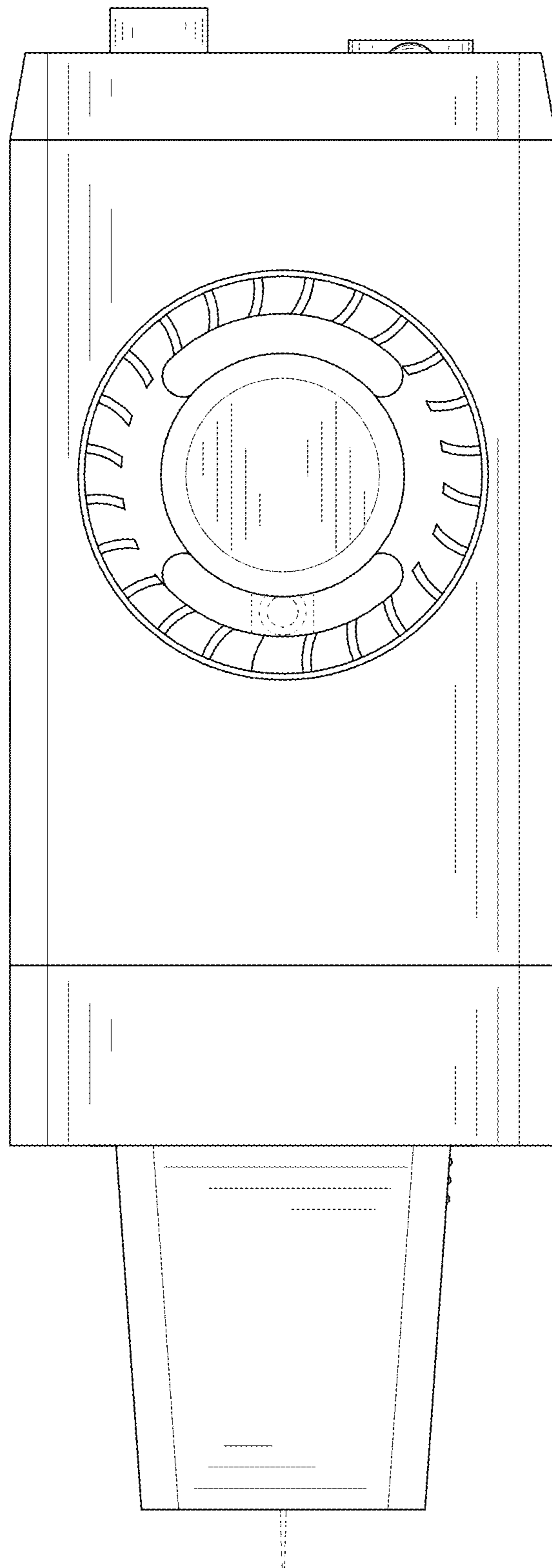


FIG. 4

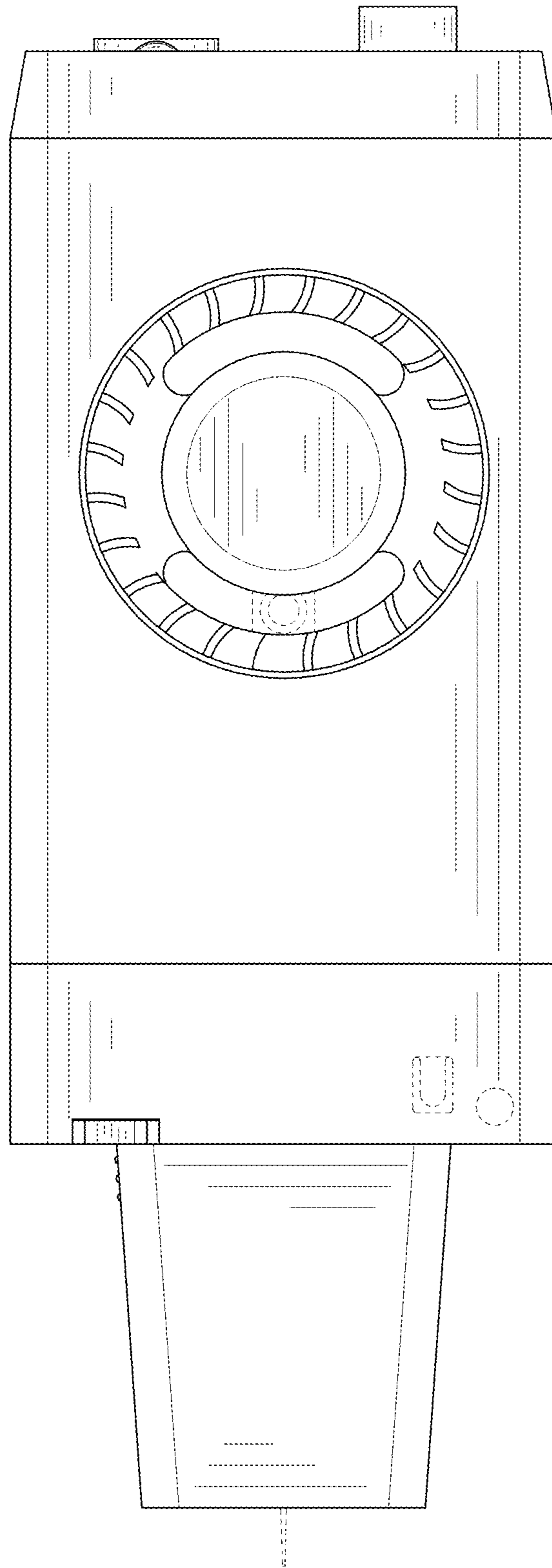


FIG. 5

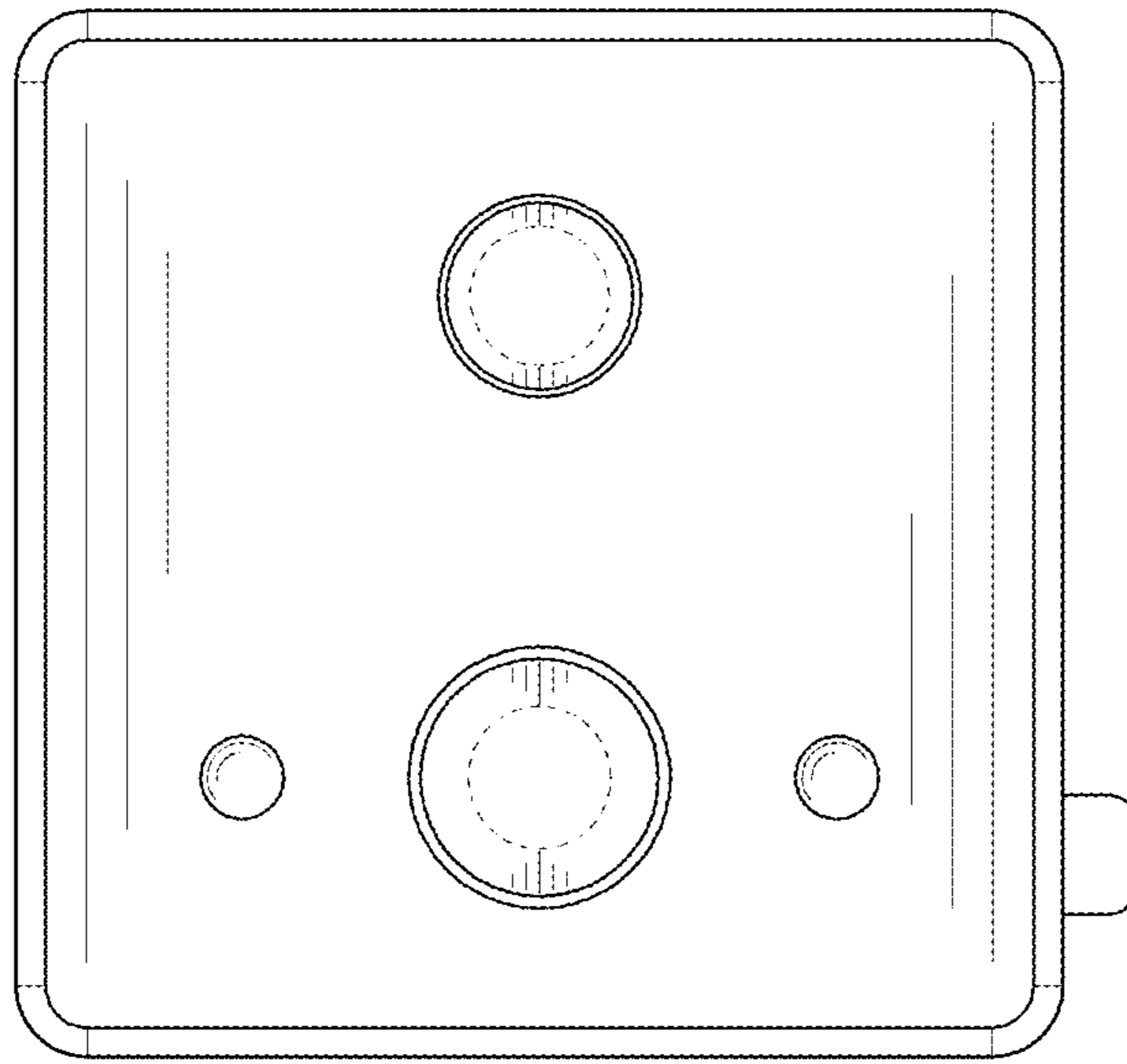


FIG. 6

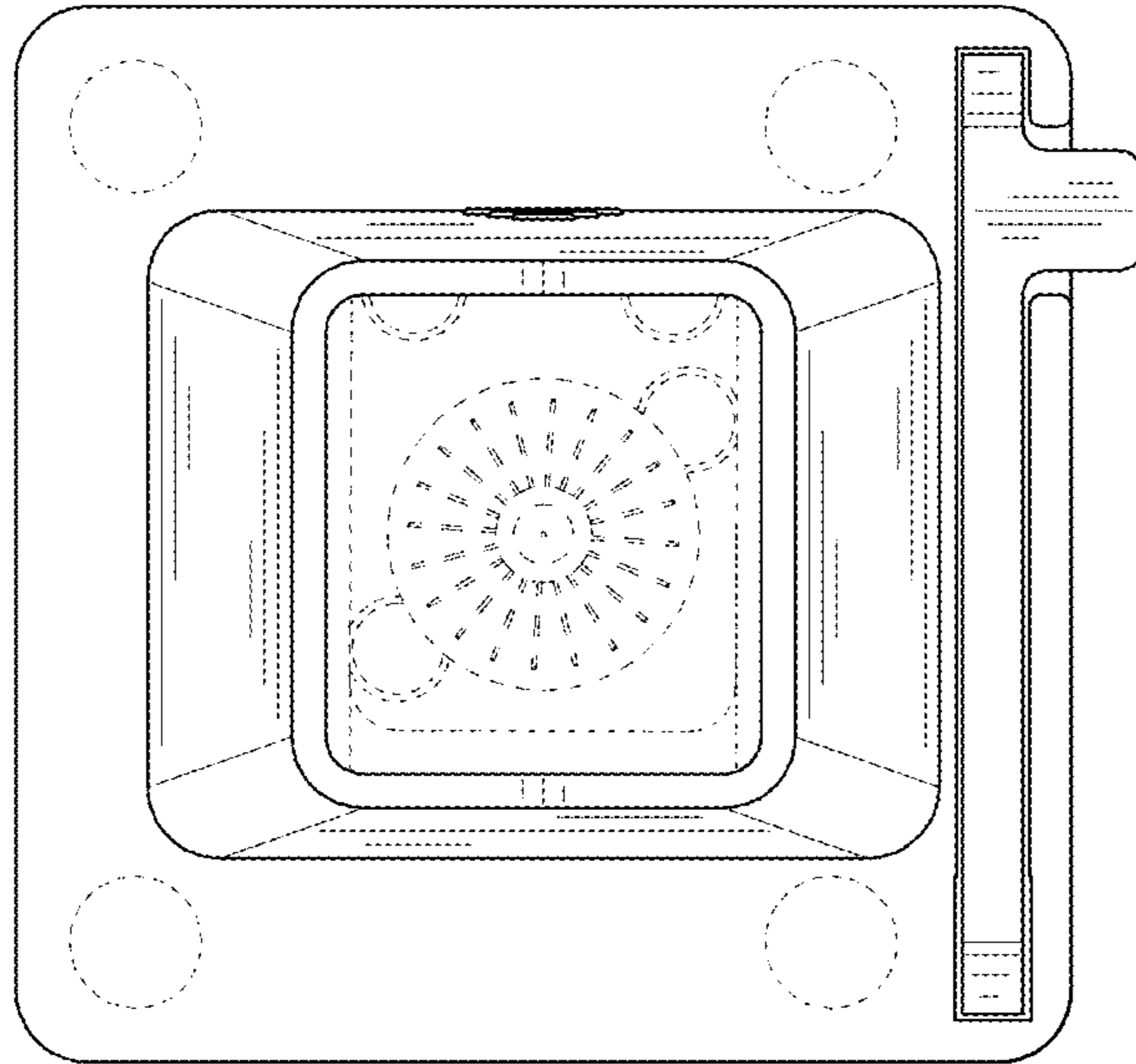


FIG. 7



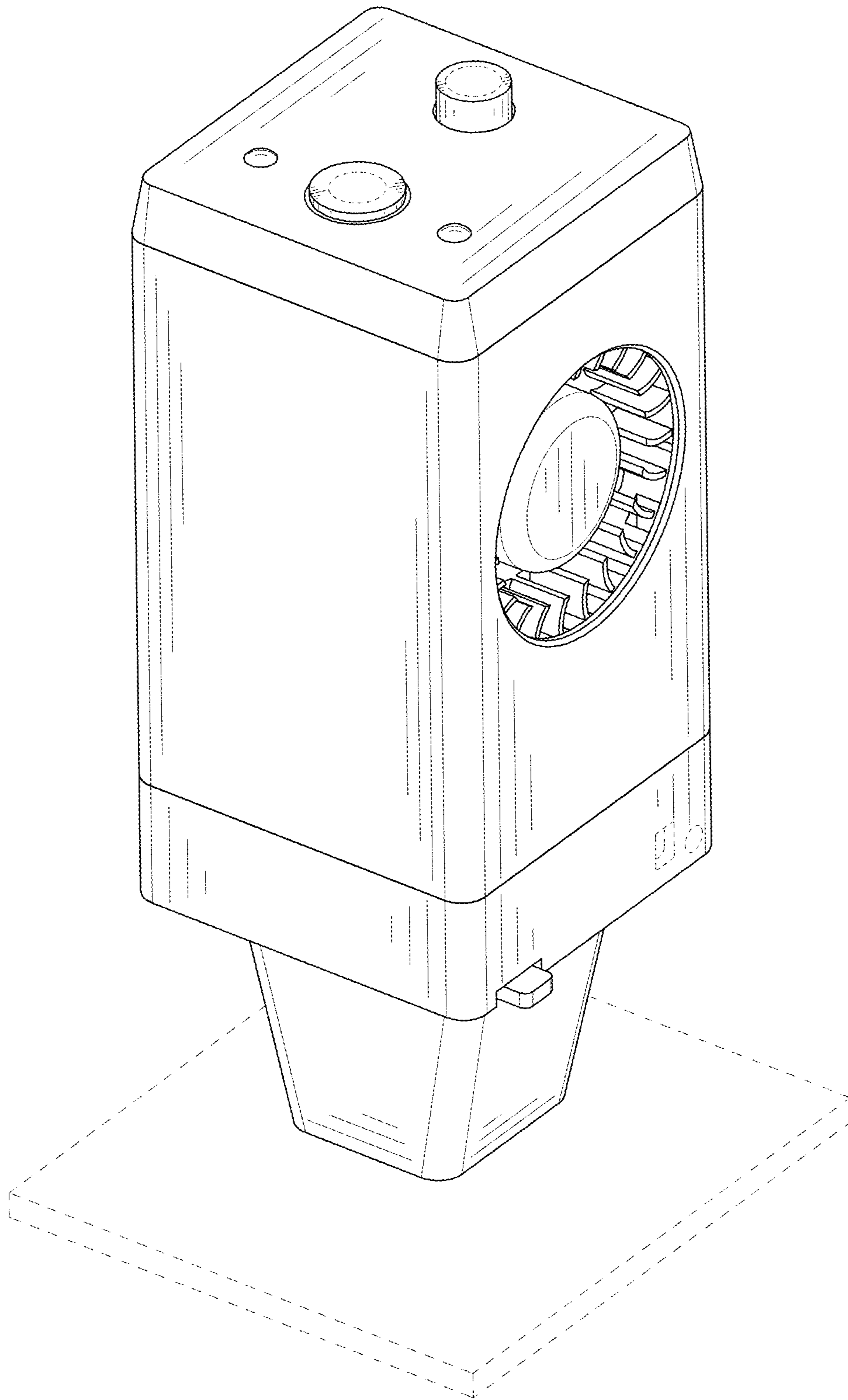


FIG. 8

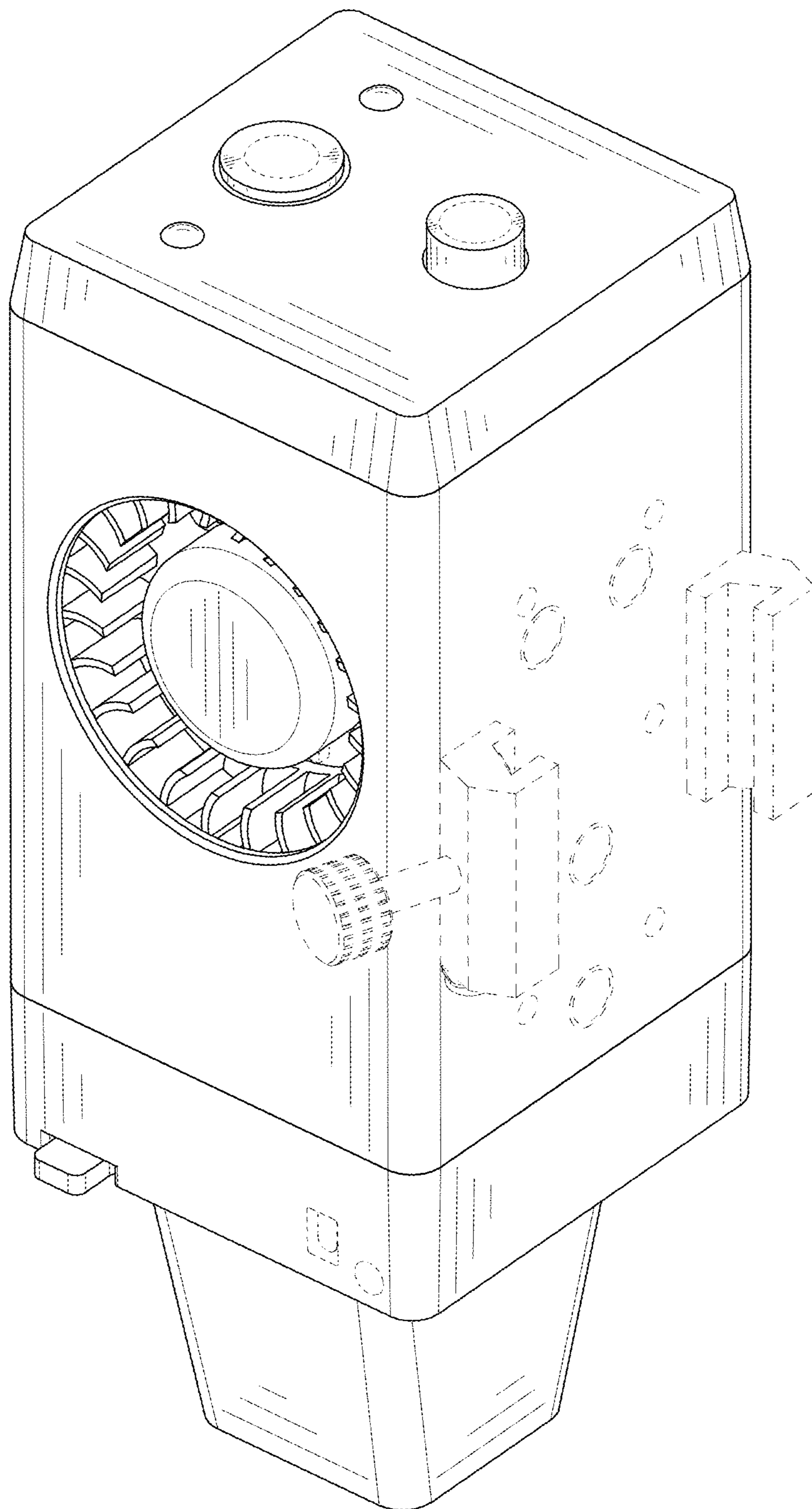


FIG. 9