



US00D989818S

(12) **United States Design Patent**  
**Ni**

(10) **Patent No.:** **US D989,818 S**  
(45) **Date of Patent:** **\*\* Jun. 20, 2023**

- (54) **WINE CABINET**
- (71) Applicant: **Shaoxing Shangyu North Electron Manufacture Co., Ltd., Shaoxing (CN)**
- (72) Inventor: **Jianwei Ni, Shaoxing (CN)**
- (73) Assignee: **Shaoxing Shangyu North Electron Manufacture Co., Ltd., Shaoxing (CN)**

(\*\*) Term: **15 Years**

(21) Appl. No.: **29/780,964**

(22) Filed: **Apr. 27, 2021**

(51) **LOC (14) Cl.** ..... **15-07**

(52) **U.S. Cl.**  
USPC ..... **D15/81**

(58) **Field of Classification Search**  
USPC ..... D15/79, 80, 81, 82, 83, 84, 85, 88, 89;  
D7/553.2, 605; D3/276, 318, 294;  
D6/657, 658, 659, 661.3  
CPC . A23G 9/12; A23G 9/10; A23G 9/106; B65D  
85/78; B65D 43/165; B65D 25/2841;  
F25C 5/187; F25C 5/08; F25C 2400/12;  
F25C 2400/14  
See application file for complete search history.

(56) **References Cited**

**U.S. PATENT DOCUMENTS**

5,319,937	A	*	6/1994	Fritsch	.....	F25B 21/04 62/3.62
D477,000	S	*	7/2003	Aldous	.....	D15/81
D729,288	S	*	5/2015	Glaros	.....	D15/91
D729,289	S	*	5/2015	Glaros	.....	D15/91
D762,744	S	*	8/2016	Tissi	.....	D15/81
D807,929	S	*	1/2018	Feng	.....	D15/81
D810,151	S	*	2/2018	Wang	.....	D15/88
D886,163	S	*	6/2020	Yao	.....	D15/81
D896,856	S	*	9/2020	Zhou	.....	D15/81
D924,946	S	*	7/2021	Xu	.....	D15/81
D927,562	S	*	8/2021	Kong	.....	D15/81
D930,716	S	*	9/2021	Huang	.....	D15/81

D937,910	S	*	12/2021	Huang	.....	D15/81
D940,209	S	*	1/2022	Kong	.....	D15/81
D946,636	S	*	3/2022	Xu	.....	D15/81
D952,006	S	*	5/2022	Li	.....	D15/81
D952,699	S	*	5/2022	Li	.....	D15/79
D953,814	S	*	6/2022	Thelin	.....	D7/605
D958,850	S	*	7/2022	Kim	.....	D15/88

(Continued)

**OTHER PUBLICATIONS**

“Wine cooler” [online]. North Electron Manufacture. [Retrieved on Mar. 21, 2023]. Retrieved from the Internet: <[https://www.northelectron.com/products\\_list/13.html](https://www.northelectron.com/products_list/13.html)>.\*

*Primary Examiner* — Mojtaba Tehrani

(74) *Attorney, Agent, or Firm* — Hawaii Patent Services; Nathaniel K. Fedde

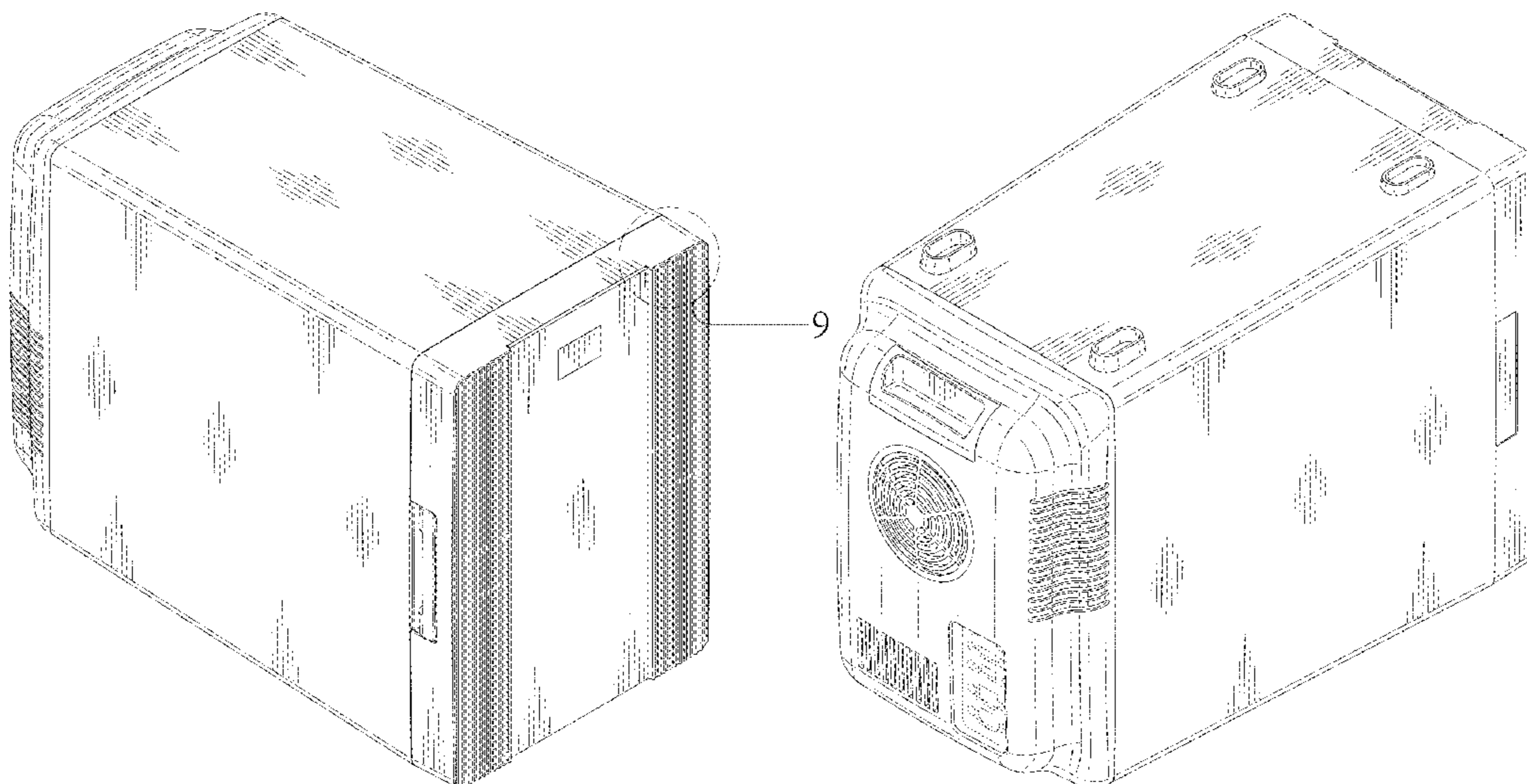
(57) **CLAIM**

The ornamental design for a wine cabinet, as shown and described.

**DESCRIPTION**

FIG. 1 is a perspective view of a wine cabinet, showing my new design;  
FIG. 2 is a front elevation view thereof;  
FIG. 3 is a rear elevation view thereof;  
FIG. 4 is a left side elevation view thereof;  
FIG. 5 is a right side elevation view thereof;  
FIG. 6 is a top plan view thereof;  
FIG. 7 is a bottom plan view thereof;  
FIG. 8 is another perspective view thereof; and,  
FIG. 9 is a partially enlarged view of the area labeled 9 in FIG. 1, showing design of a door of the wine cabinet.  
The evenly broken lines shown in the figures depict unclaimed portions of the wine cabinet; the dash-dot type broken line discloses the unclaimed boundary of the isolated view only; the broken lines form no part of the claimed design.

**1 Claim, 9 Drawing Sheets**



(56)

**References Cited**

U.S. PATENT DOCUMENTS

D963,005	S	*	9/2022	Liang	.....	D15/81
D964,433	S	*	9/2022	Lin	.....	62/3.62
D965,647	S	*	10/2022	Yao	.....	D15/81
D973,111	S	*	12/2022	Rizzi	.....	D15/79
D973,112	S	*	12/2022	Rizzi	.....	D15/79
D973,723	S	*	12/2022	Zhu	.....	D15/79
D975,144	S	*	1/2023	Yan	.....	D15/79
D976,288	S	*	1/2023	Ni	.....	D15/79

\* cited by examiner

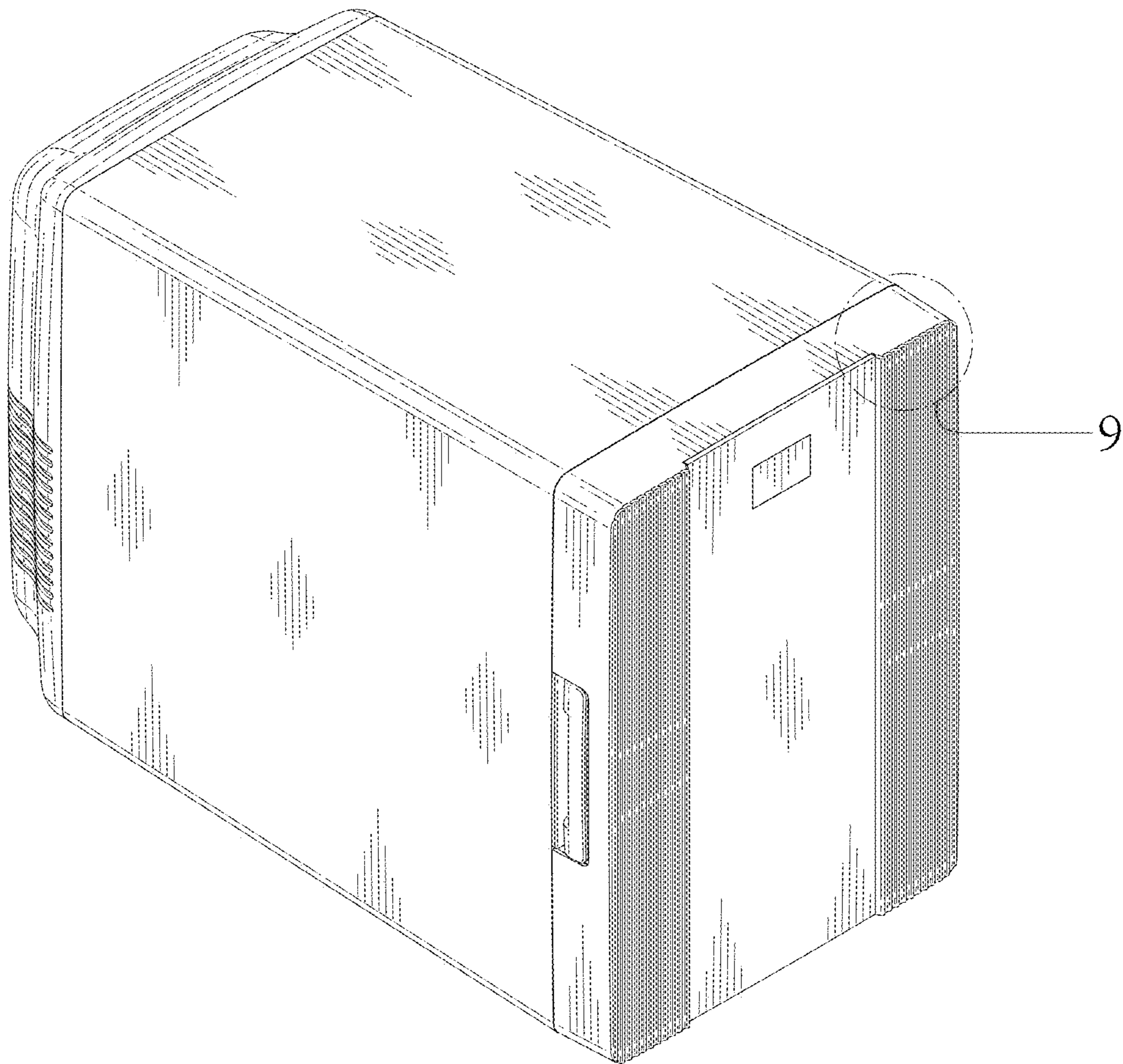


FIG.1

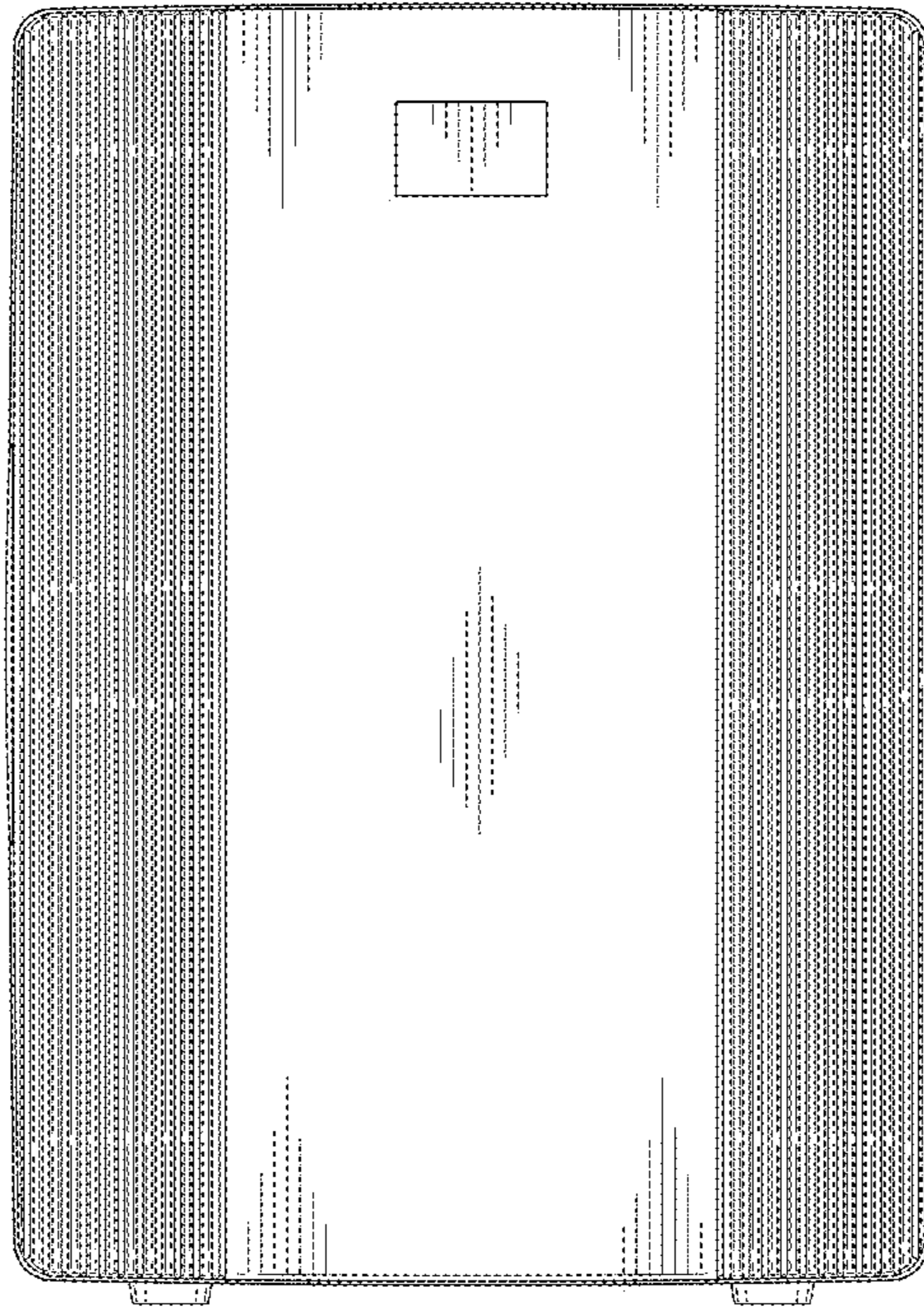


FIG.2

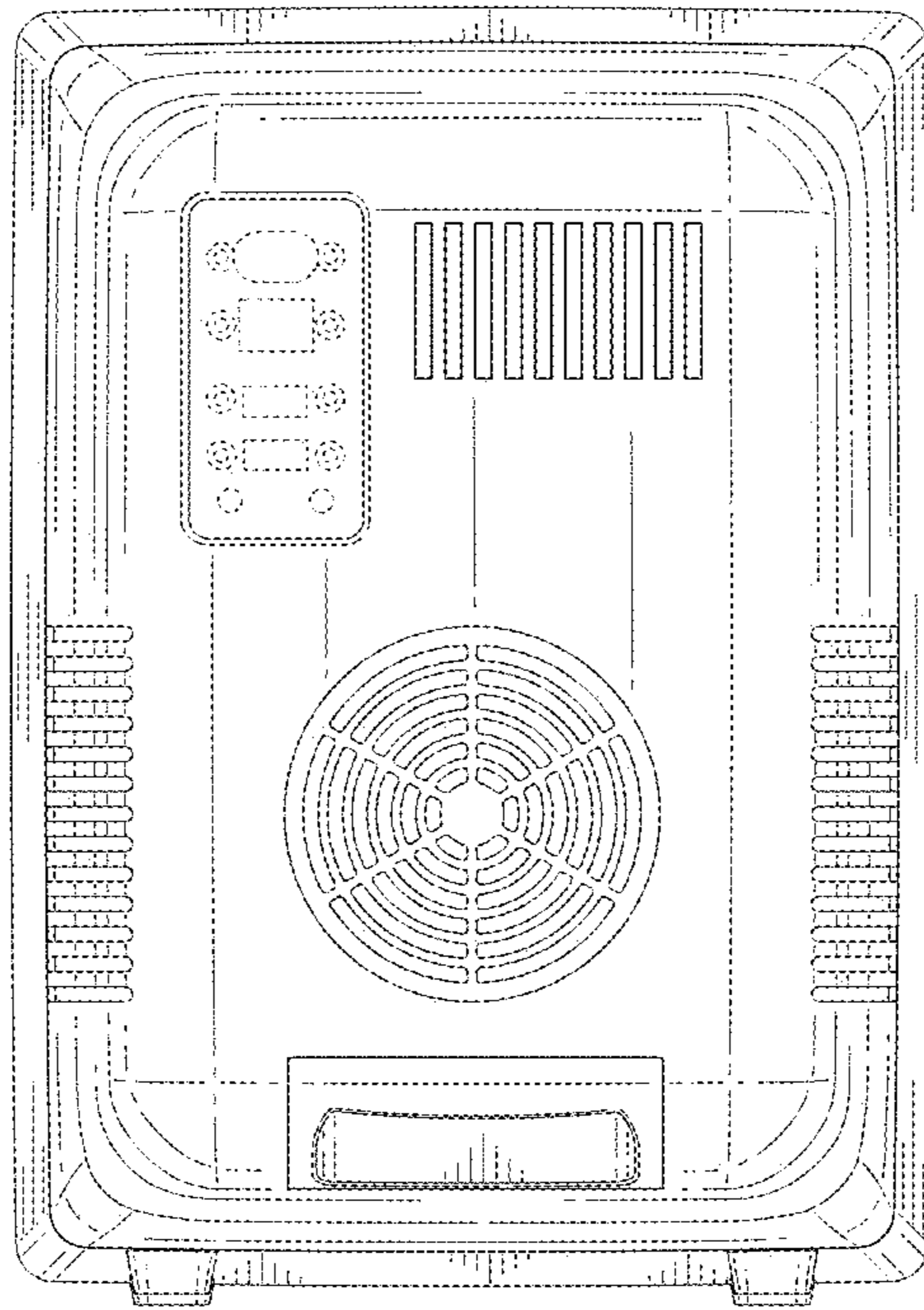


FIG.3

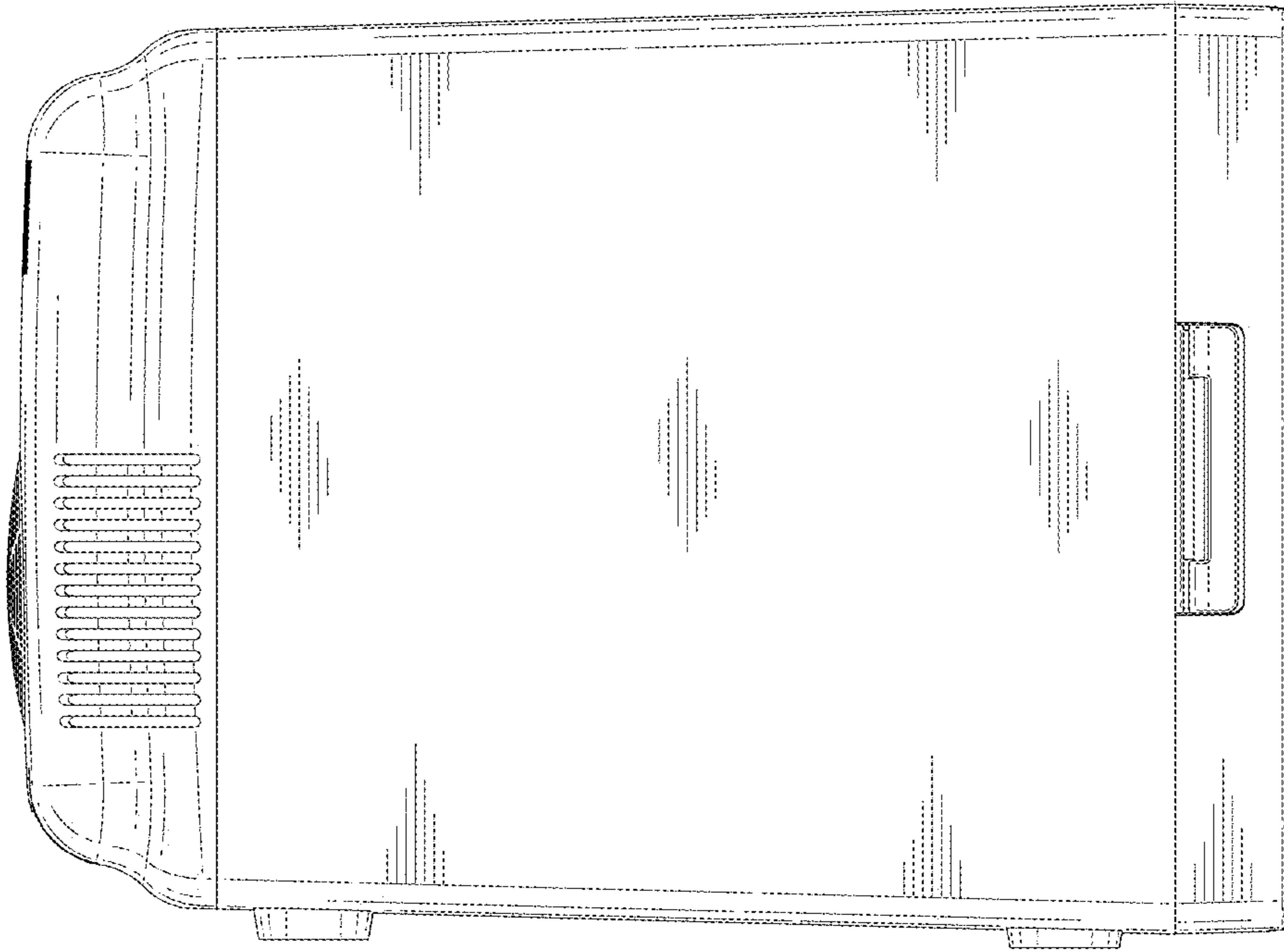


FIG.4

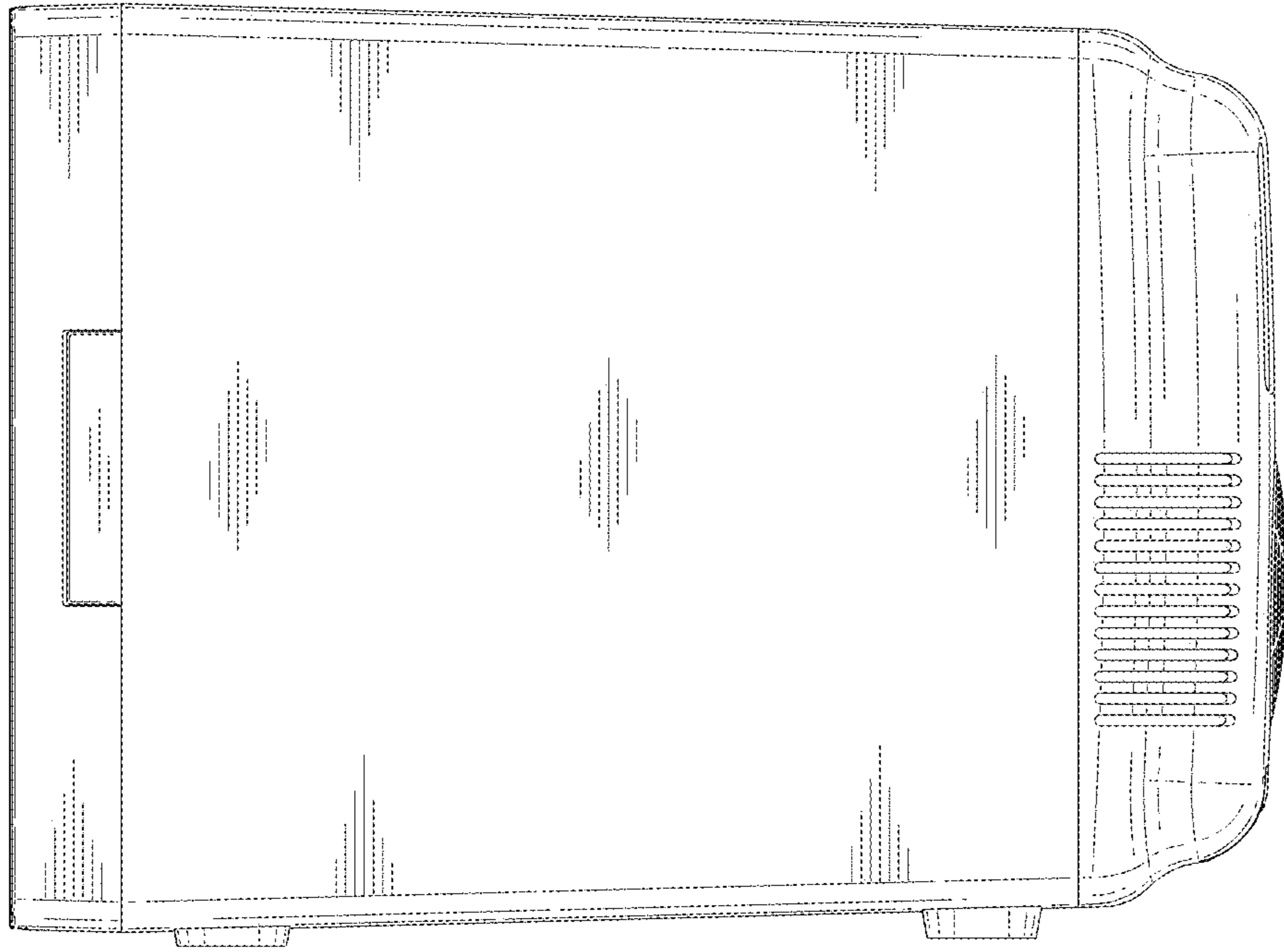


FIG.5

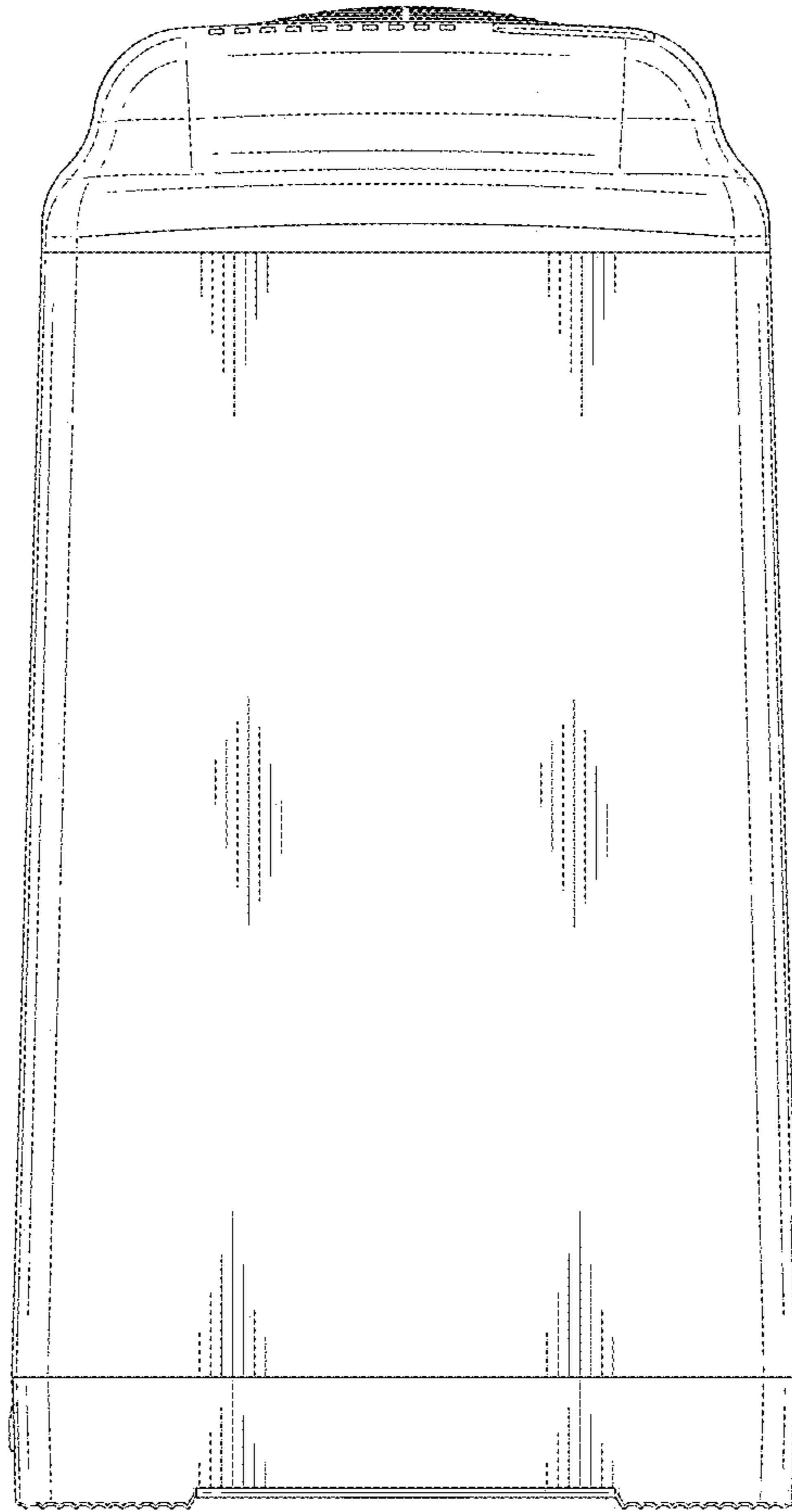


FIG.6



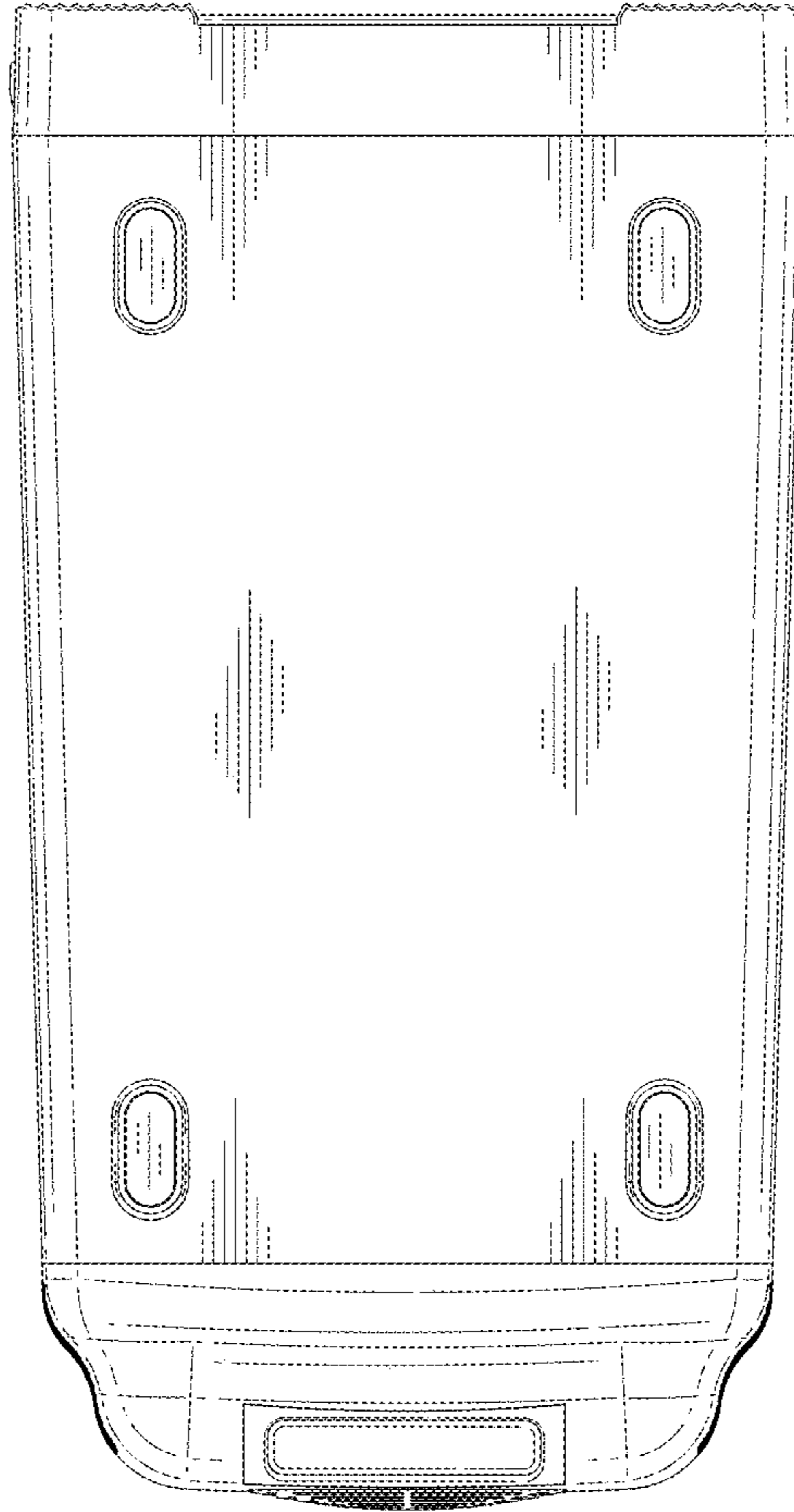


FIG.7

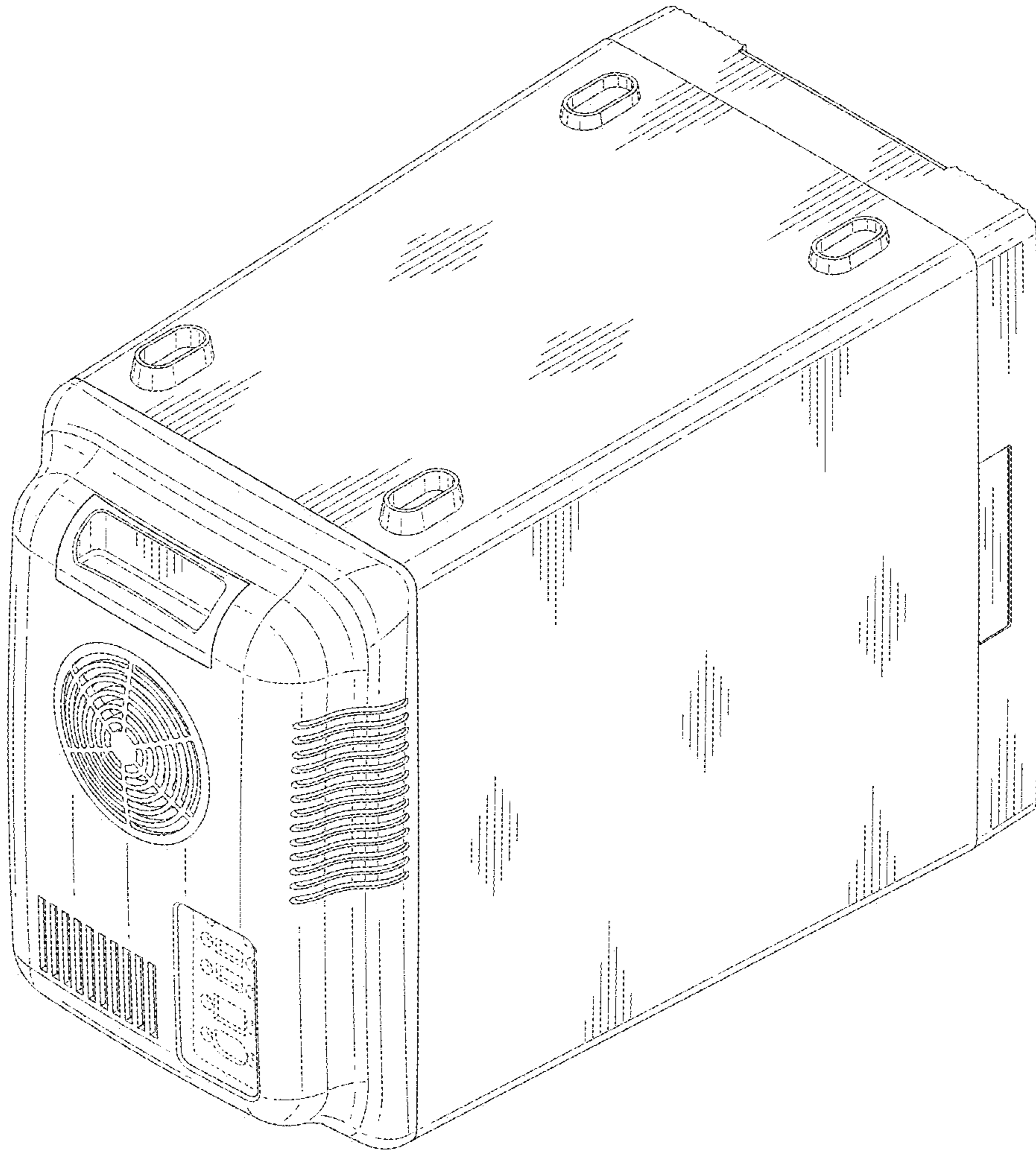


FIG.8

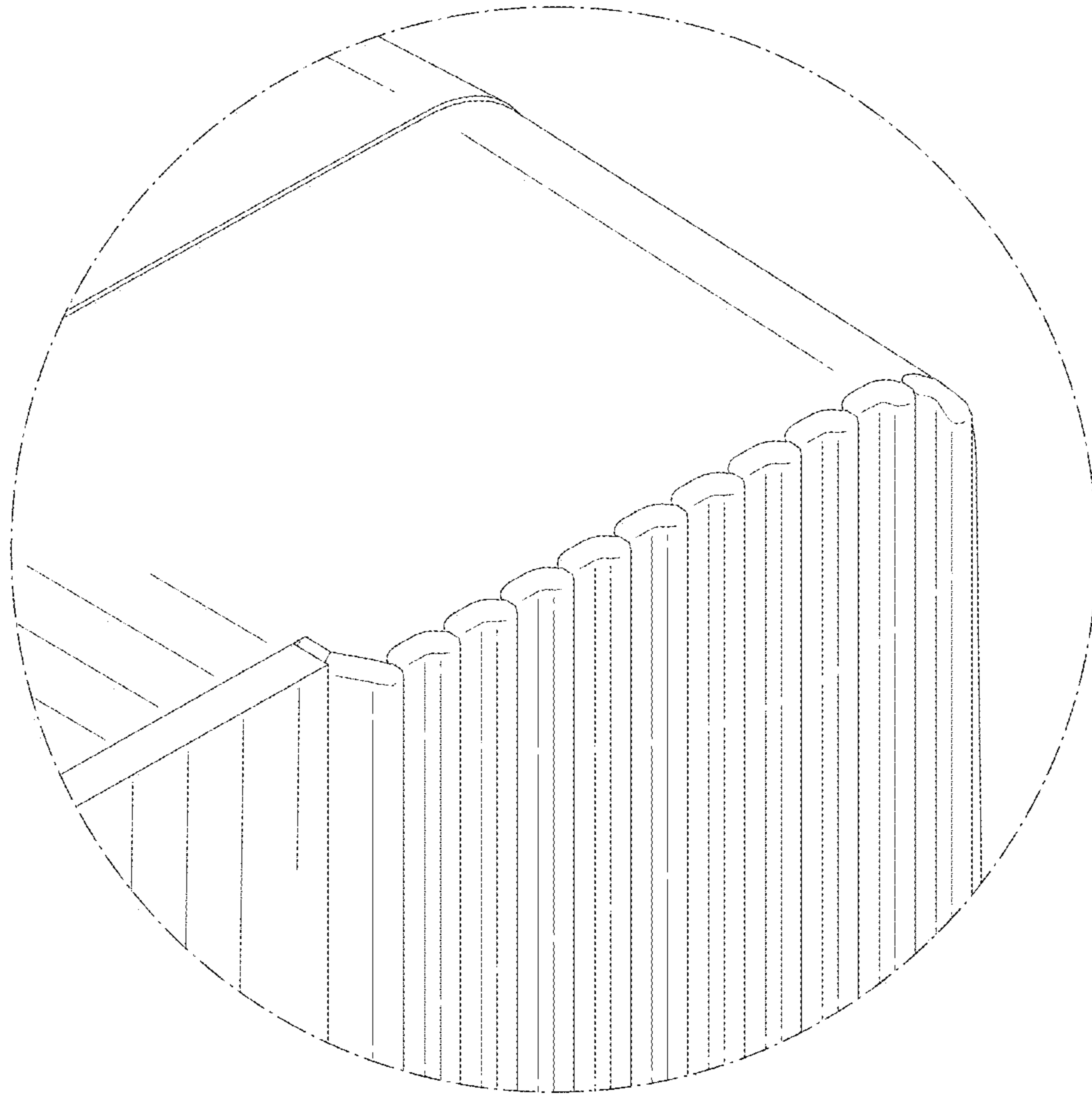


FIG.9