



US00D989816S

(12) **United States Design Patent** (10) **Patent No.:** **US D989,816 S**
Zhou (45) **Date of Patent:** **** Jun. 20, 2023**

(54) **ELECTRIC TRACTOR**
(71) Applicant: **INTRADIN (SHANGHAI) MACHINERY CO., LTD.**, Shanghai (CN)

(72) Inventor: **Wei Zhou**, Shanghai (CN)

(73) Assignee: **INTRADIN (SHANGHAI) MACHINERY CO., LTD.**, Shanghai (CN)

(**) Term: **15 Years**

(21) Appl. No.: **29/814,055**

(22) Filed: **Nov. 3, 2021**

(51) **LOC (14) Cl.** **12-09**

(52) **U.S. Cl.**
USPC **D15/23**

(58) **Field of Classification Search**
USPC D15/10, 11, 12, 13, 14, 15, 16, 17, 18, D15/19, 20, 21, 22, 23, 24, 25, 26, 27, D15/28, 29, 30, 31, 32, 33; D12/85, 1, D12/14, 19, 16

CPC .. B60L 3/00; B60L 3/02; B62D 51/04; B62D 51/00; B62D 49/007; B62D 53/04

See application file for complete search history.

(56) **References Cited**

U.S. PATENT DOCUMENTS

5,259,471 A * 11/1993 Taylor B62D 51/001 180/19.2
D587,173 S * 2/2009 Laymaster E04F 21/1844 D12/128
7,597,522 B2 * 10/2009 Borntrager B62D 51/04 180/19.1
7,712,558 B2 * 5/2010 Helson B62B 5/0079 180/19.1
7,849,943 B1 * 12/2010 Ragland B60S 13/00 180/215
D901,120 S * 11/2020 Li B60L 50/60 D34/16

10,883,281 B2 * 1/2021 Carlei E04F 21/1844
D930,504 S * 9/2021 Wang B66F 9/065 D12/1
2008/0044265 A1 * 2/2008 Borntrager B66F 9/065 211/1.51

(Continued)

FOREIGN PATENT DOCUMENTS

EP 1555178 A1 * 7/2005 B60D 1/00
EP 3828043 A1 * 6/2021 B60L 3/02
JP 2001180494 A * 7/2001 B60L 3/02

OTHER PUBLICATIONS

Electric Trailer Dolly, available in greatcircleus.com, undated [online], [site visited Feb. 1, 2023], Internet URL: <https://greatcircleus.com/products/superhandy-heavy-duty-electric-trailer-dolly-self-propelled-7500lbs-max-towing-1100lbs-max-tongue-weight-w-4-base-wheels-2-support-casters> (Year: 2023).*

Primary Examiner — Calvin E Vansant
Assistant Examiner — Eidiol Ghigliotty Torre

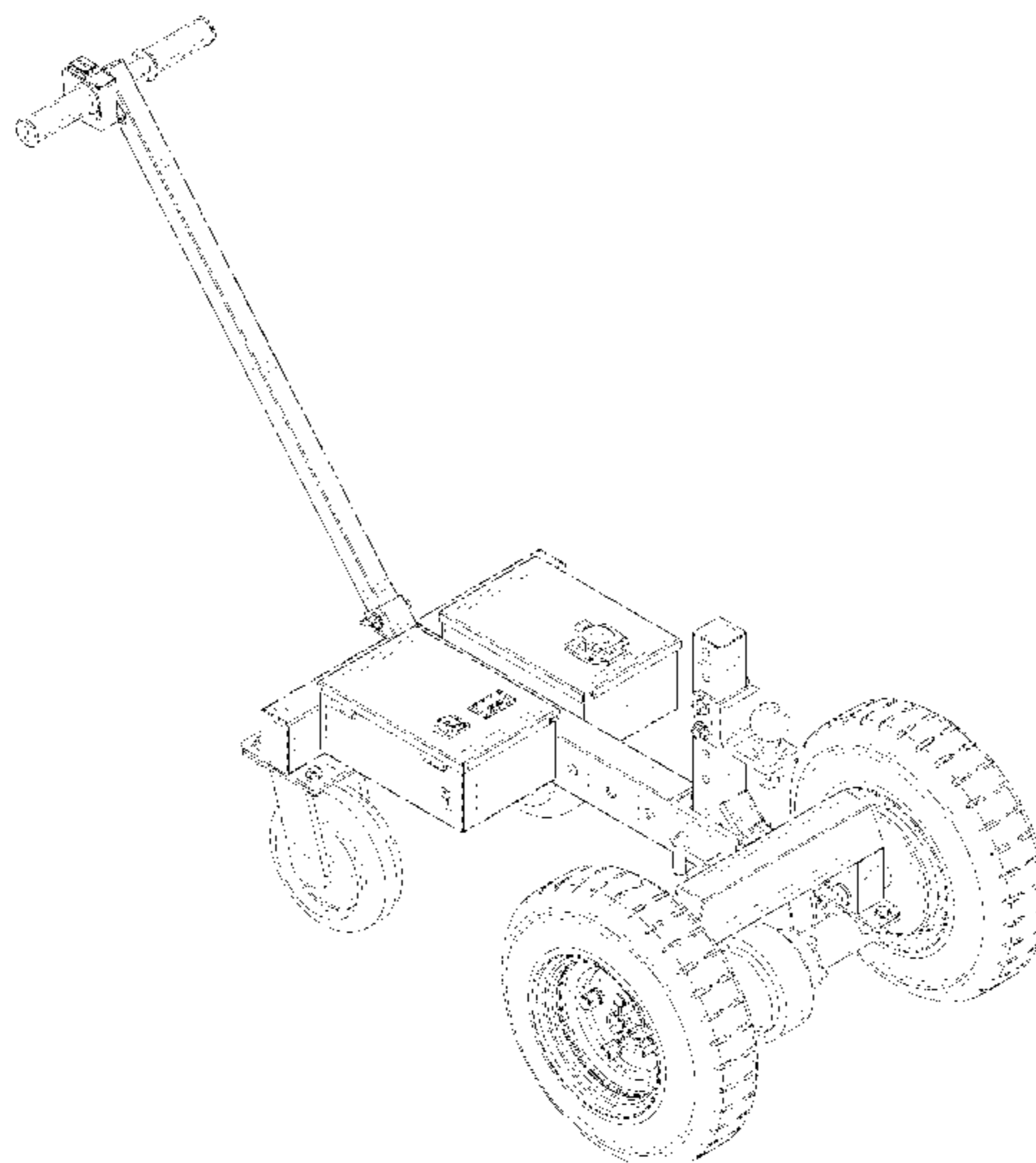
(57) **CLAIM**

The ornamental design for an electric tractor, as shown and described.

DESCRIPTION

FIG. 1 is a perspective view of an electric tractor showing our new design;
FIG. 2 is another perspective view thereof;
FIG. 3 is a front view thereof;
FIG. 4 is a back view thereof;
FIG. 5 is an enlarged left view thereof;
FIG. 6 is an enlarged right view thereof;
FIG. 7 is a top view thereof; and,
FIG. 8 is a bottom view thereof.
The broken lines shown on the drawings depict portions of the electric tractor that form no part of the claimed design.

1 Claim, 8 Drawing Sheets



(56)

References Cited

U.S. PATENT DOCUMENTS

2009/0041564 A1* 2/2009 Borntrager B66F 9/065
187/233
2010/0183412 A1* 7/2010 Borntrager B66F 9/065
414/541
2012/0181095 A1* 7/2012 Lopez B60L 8/003
180/2.2
2016/0129953 A1* 5/2016 Johnson B62K 3/002
180/65.8
2021/0155299 A1* 5/2021 Wang B60L 50/60

* cited by examiner

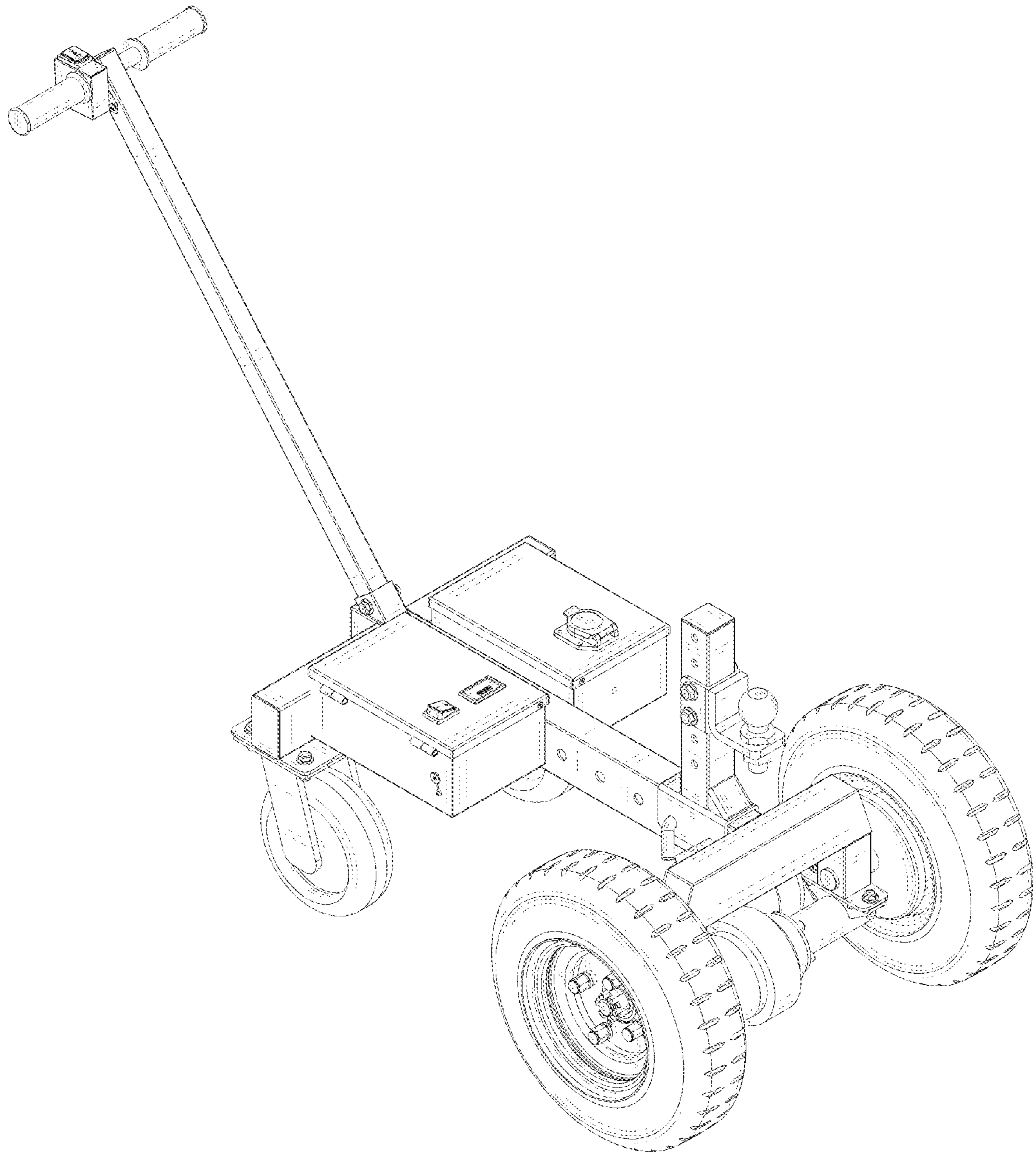


FIG. 1

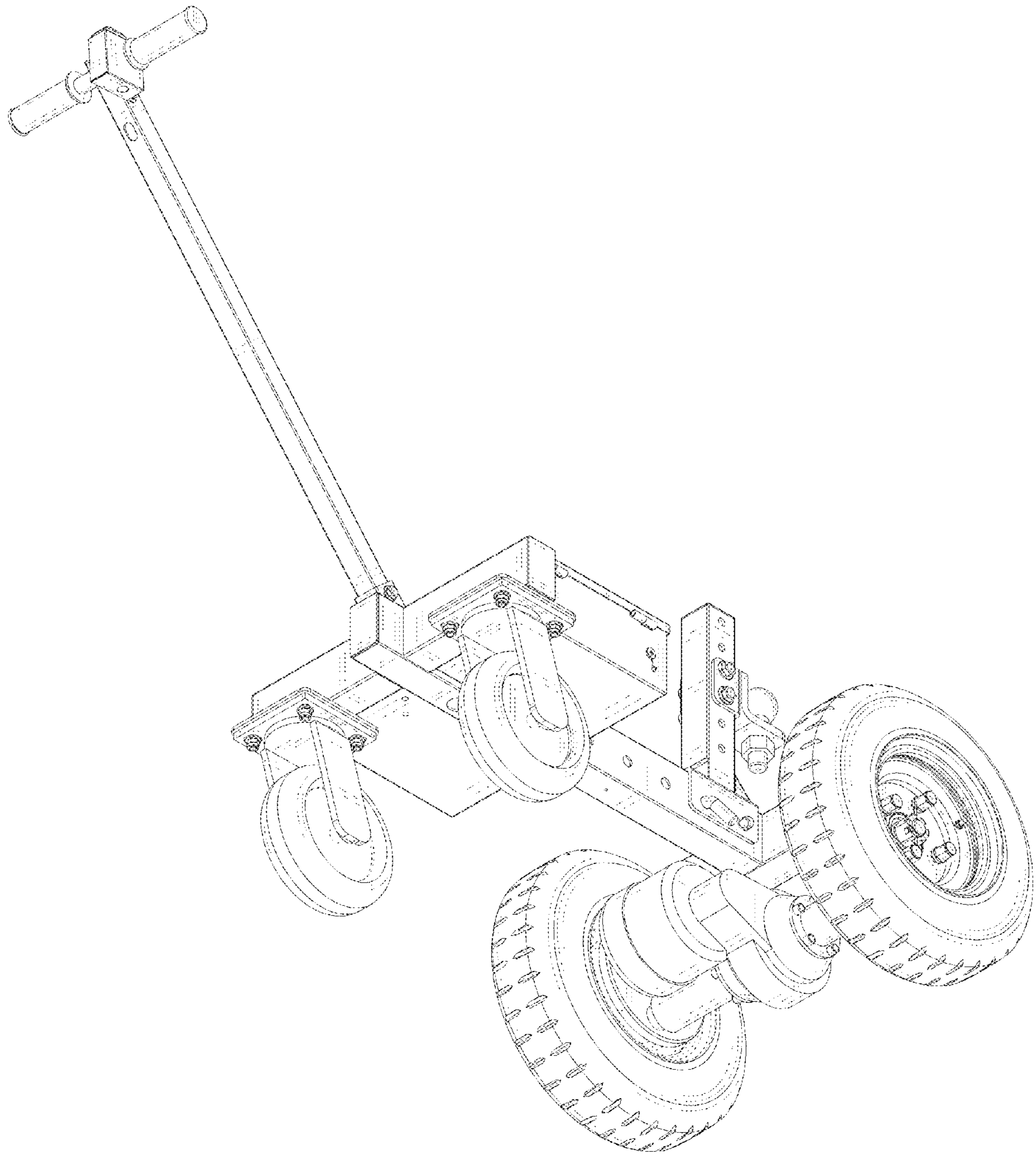


FIG. 2

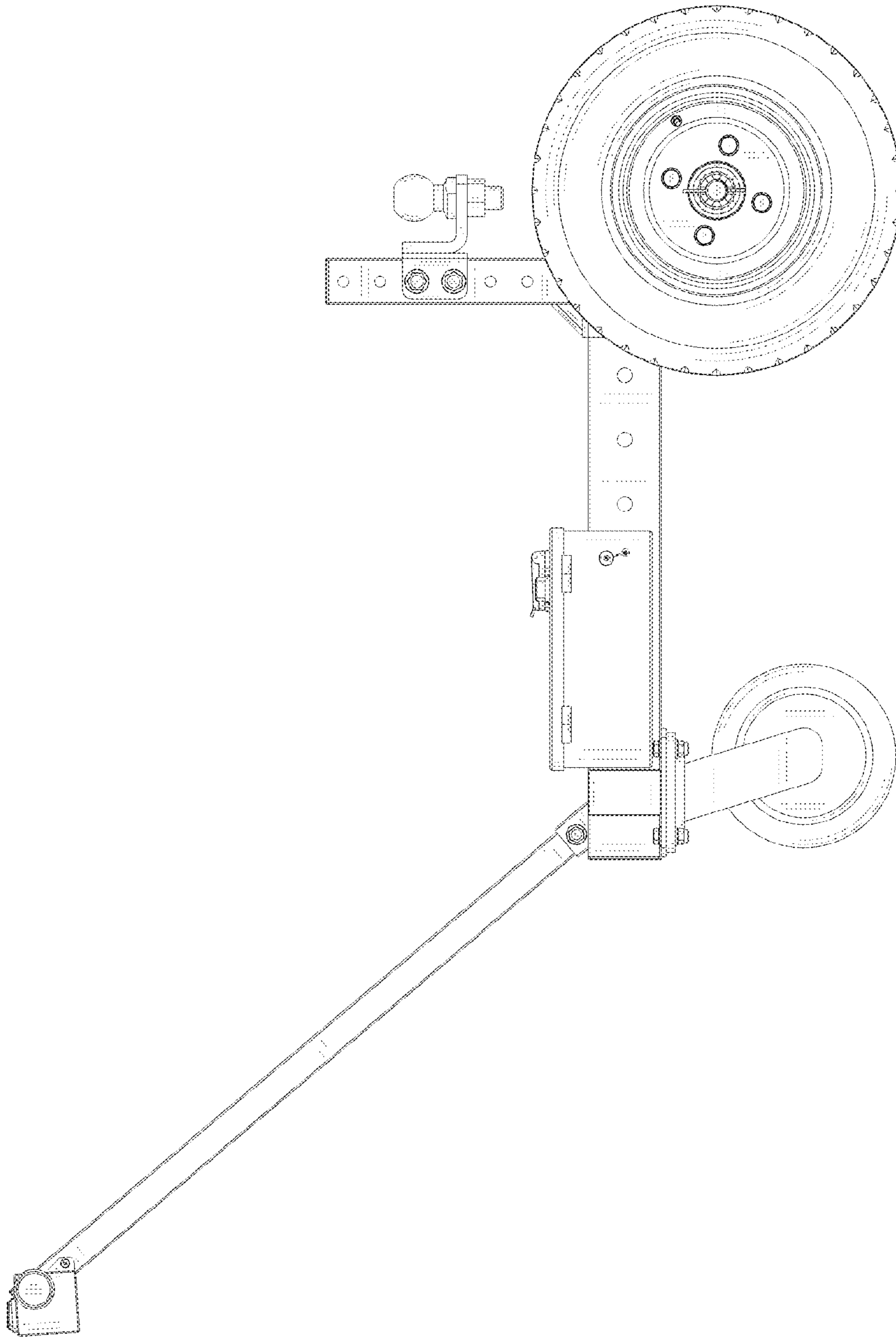


FIG. 3

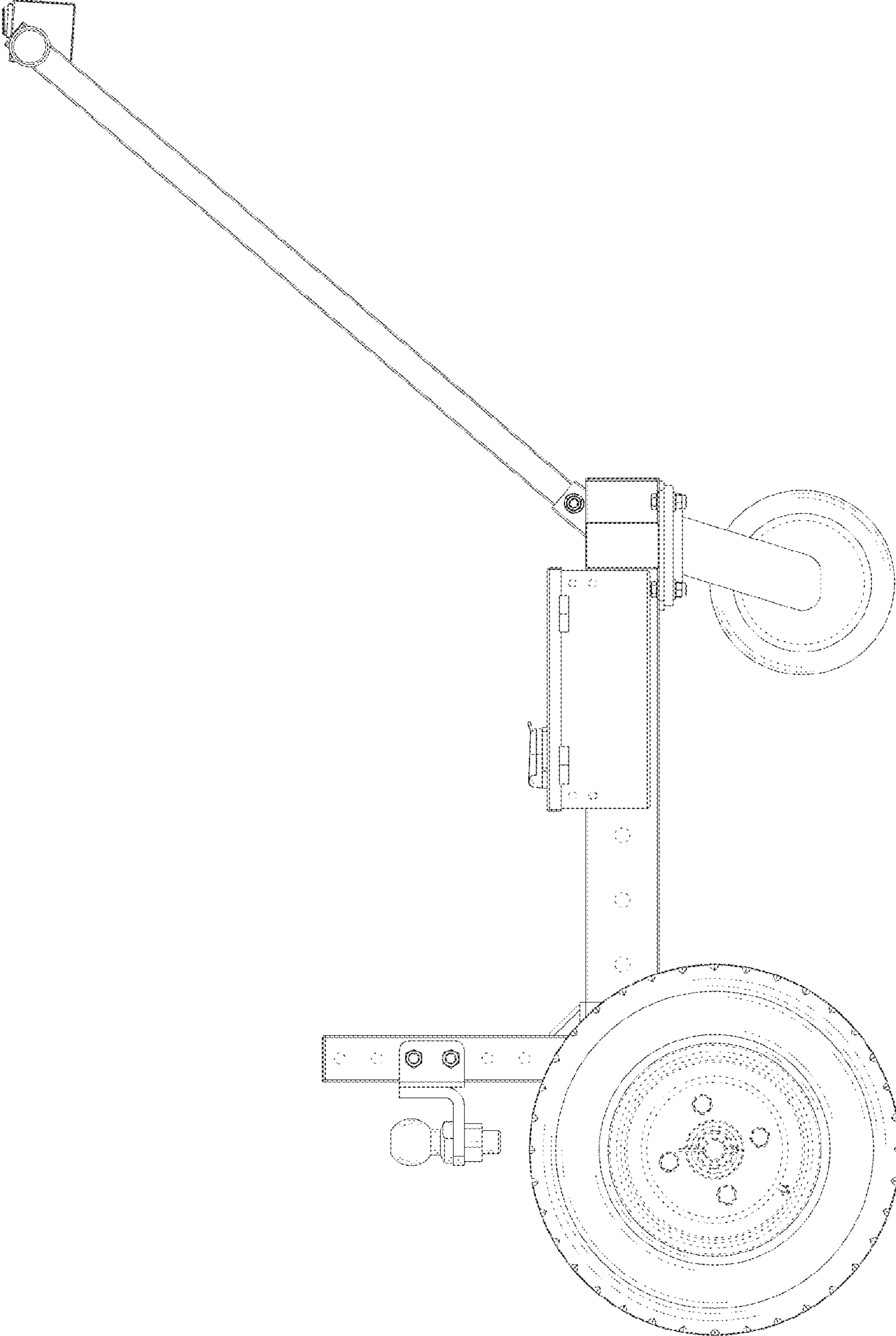


FIG. 4

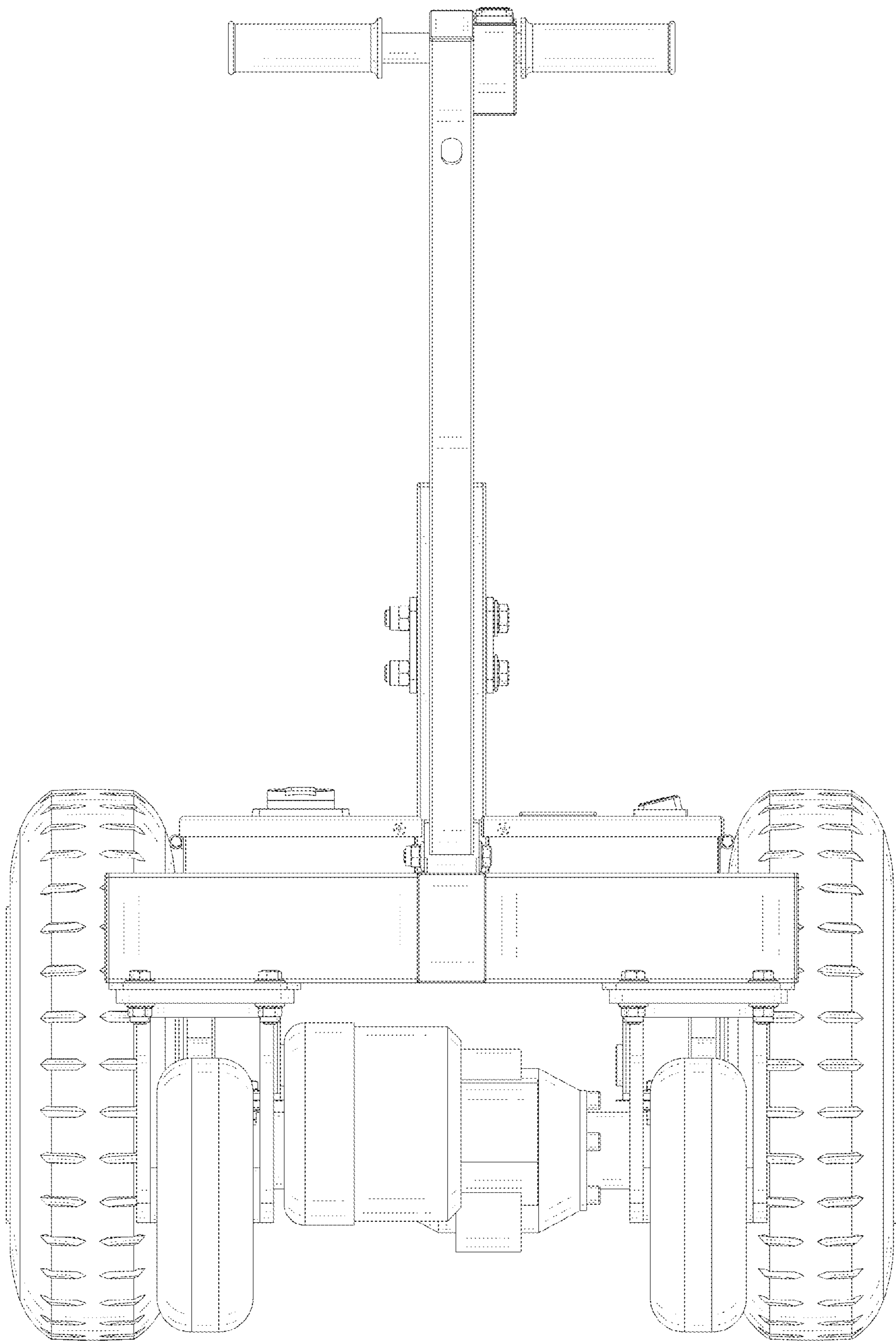


FIG. 5

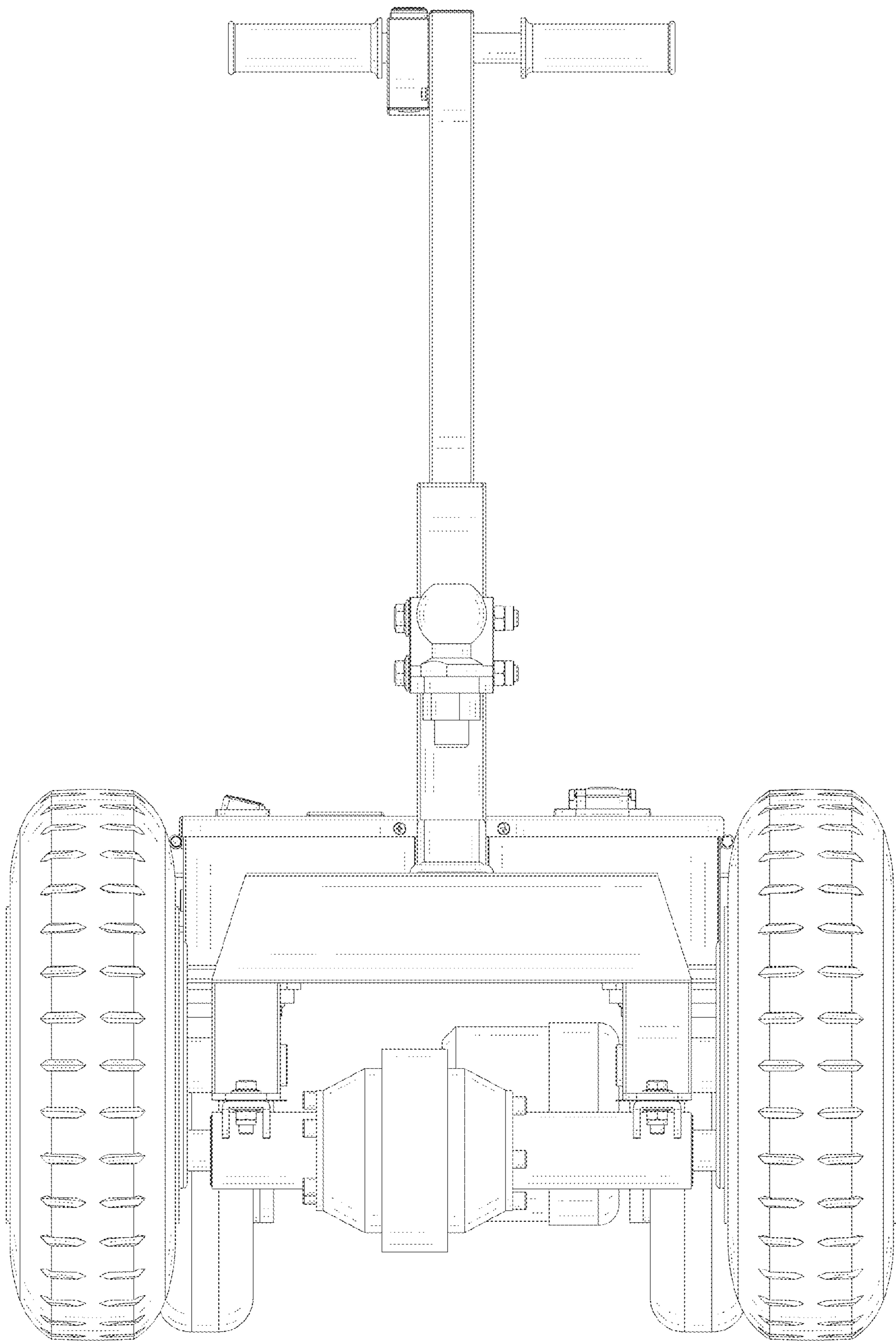


FIG. 6

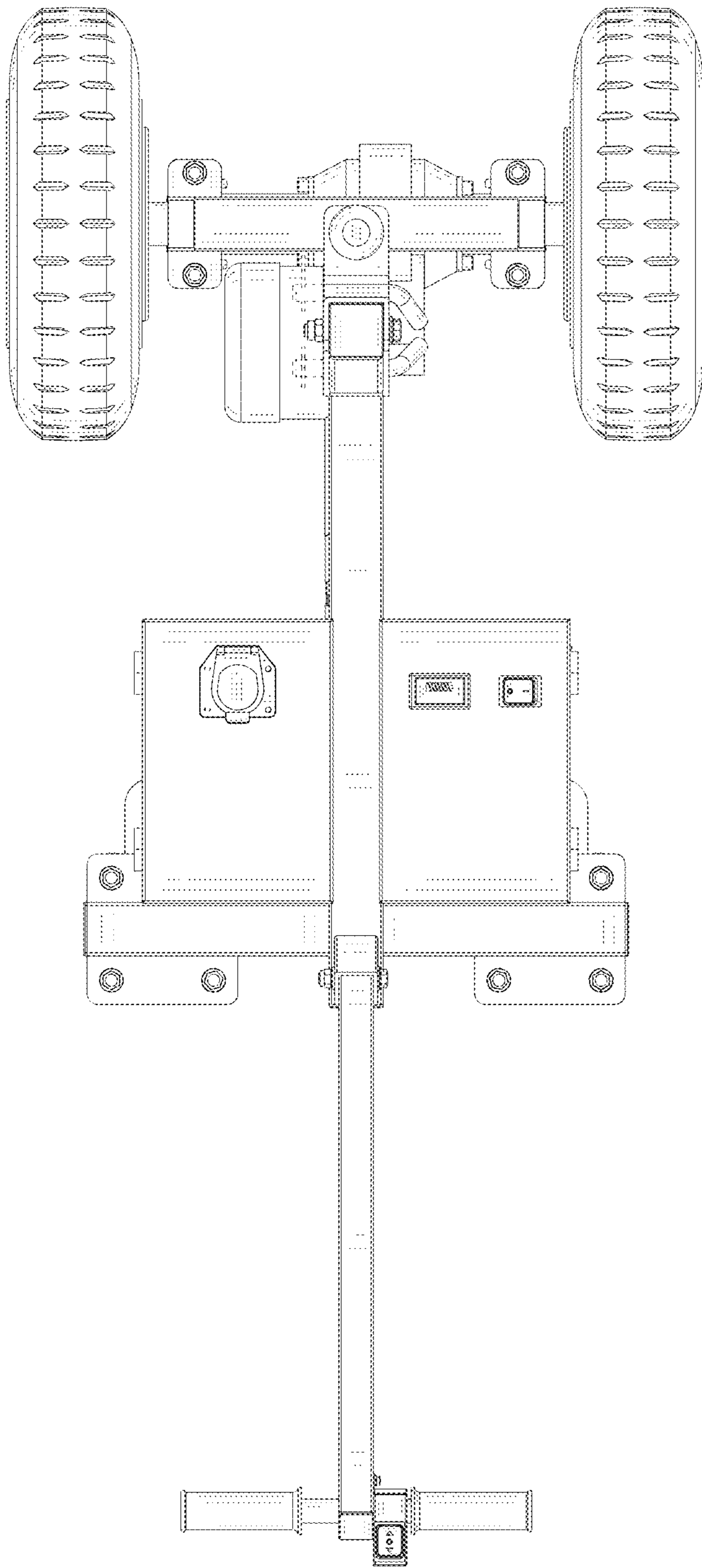


FIG. 7

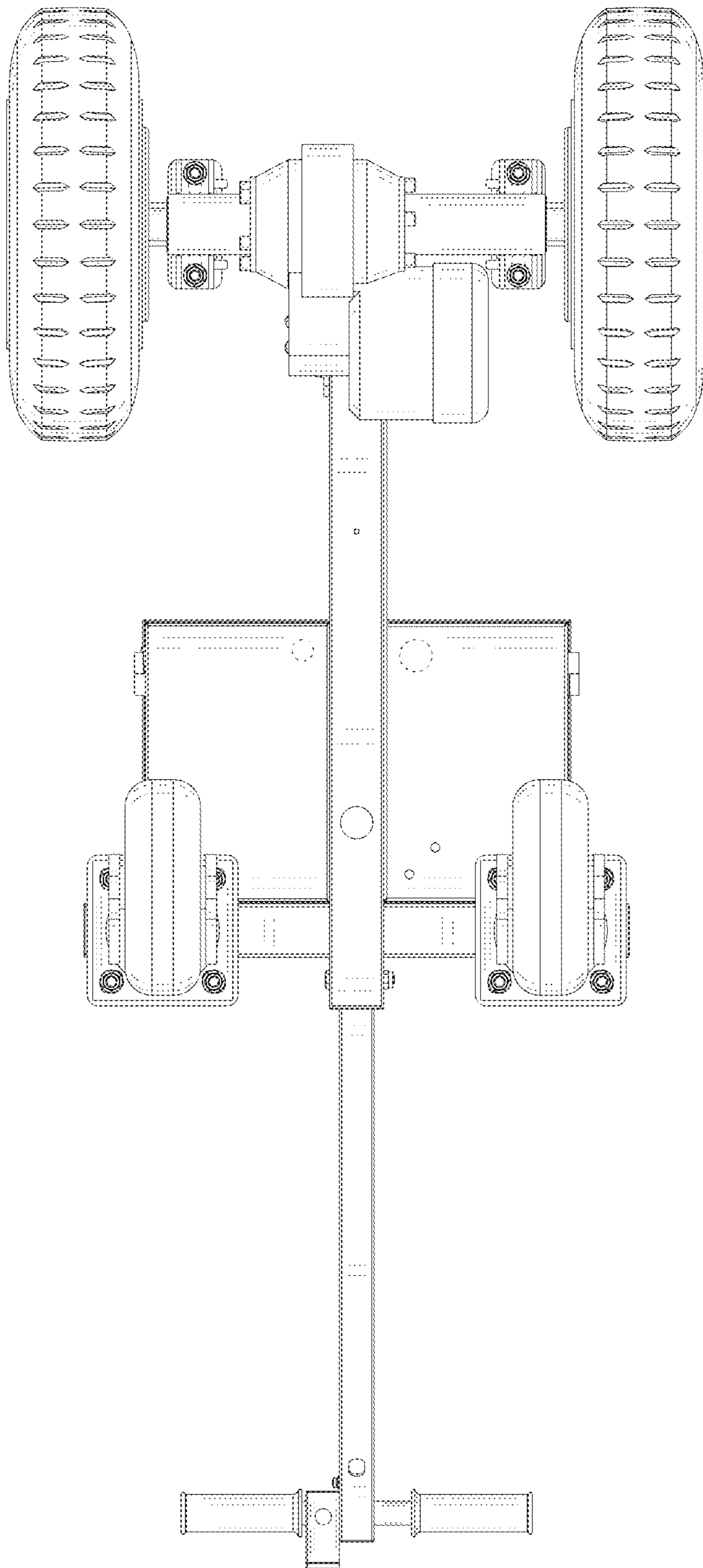


FIG. 8