



US00D989811S

(12) **United States Design Patent**  
**Smalter**

(10) **Patent No.:** **US D989,811 S**

(45) **Date of Patent:** **\*\* Jun. 20, 2023**

(54) **DISPLAY SCREEN WITH VIRTUAL  
MEDICINE CABINET GRAPHICAL USER  
INTERFACE**

D899,442 S *	10/2020	Jang	.....	D14/485
D910,667 S *	2/2021	Busto	.....	D14/485
D923,035 S *	6/2021	Busto	.....	D14/486
D944,825 S *	3/2022	Li	.....	D14/485
D969,826 S *	11/2022	Fang	.....	D14/485
2012/0050789 A1 *	3/2012	Bachman	.....	G06F 3/1204 715/810
2015/0330640 A1 *	11/2015	Stork genannt Wersborg	.....	A21B 1/40 99/332

(71) Applicant: **Vera Health, Inc.**, Aventura, FL (US)

(72) Inventor: **Delia Smalter**, Aventura, FL (US)

(73) Assignee: **MyCabinet, Inc.**, Aventura, FL (US)

(\*\*) Term: **15 Years**

\* cited by examiner

(21) Appl. No.: **29/787,744**

*Primary Examiner* — Bao-Yen T Nguyen

(22) Filed: **Jun. 8, 2021**

(74) *Attorney, Agent, or Firm* — Mark C. Johnson;  
Johnson Dalal

(51) **LOC (14) Cl.** ..... **14-04**

(52) **U.S. Cl.**  
USPC ..... **D14/492**

(57) **CLAIM**

(58) **Field of Classification Search**  
USPC ..... D14/485–495  
CPC ..... G06F 19/3406; G06F 3/0482; H04N  
1/00408

The ornamental design for a display screen with virtual medicine cabinet graphical user interface, as shown and described.

See application file for complete search history.

**DESCRIPTION**

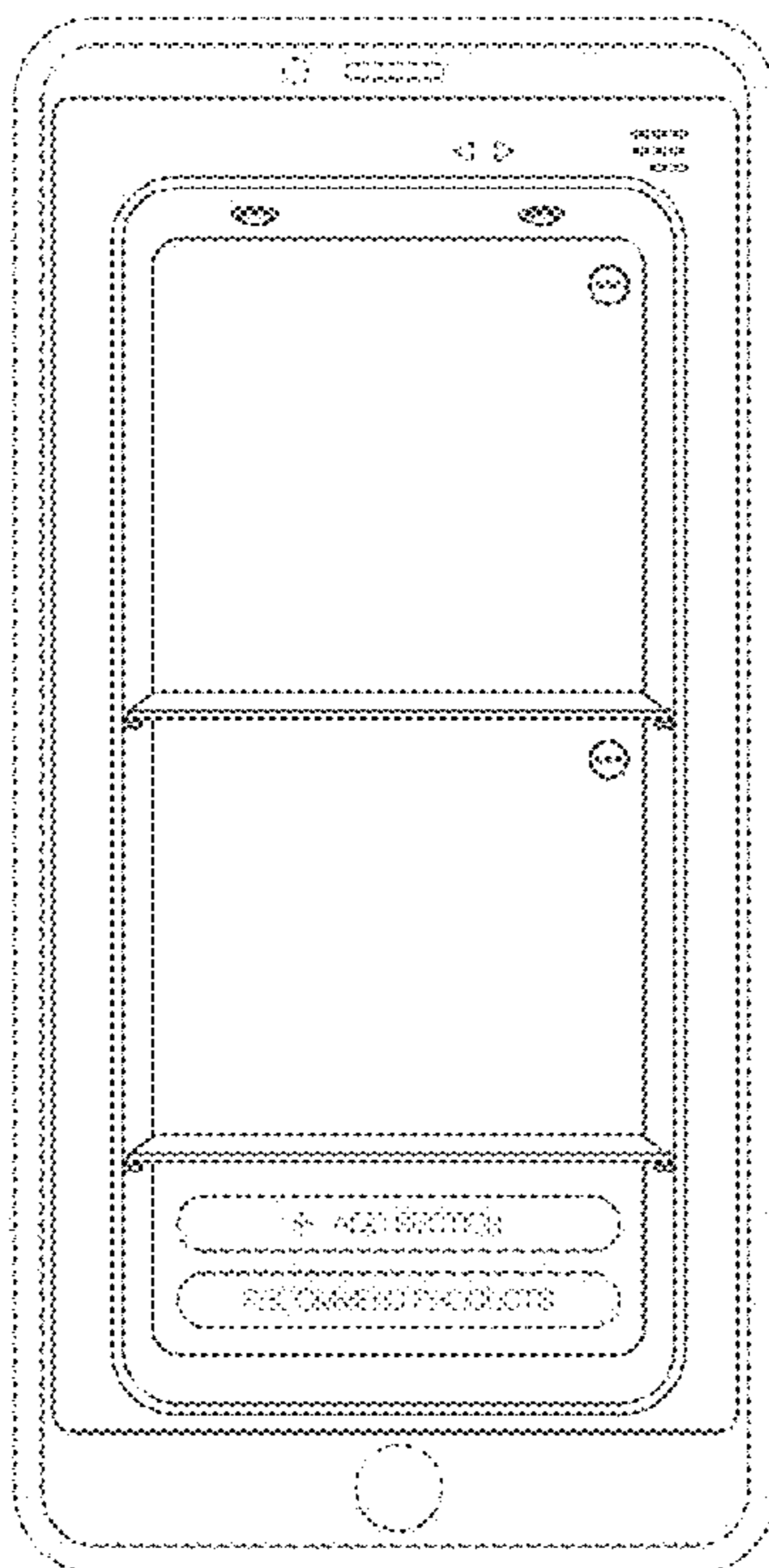
(56) **References Cited**

FIG. 1 is a front elevational view of a display screen with virtual medicine cabinet graphical user interface in accordance with the present invention; and,  
FIG. 2 is another view of a display screen with virtual medicine cabinet graphical user interface in accordance with the present invention.  
The broken lines illustrate a display screen and form no part of the claimed design. The broken lines illustrate portions of the graphical user interface and form no part of the claimed design.

U.S. PATENT DOCUMENTS

D676,058 S *	2/2013	Cranfill	.....	D14/489
D697,938 S *	1/2014	Lee	.....	D14/486
D760,270 S *	6/2016	Herold	.....	D14/487
D777,777 S *	1/2017	Park	.....	D14/488
D790,574 S *	6/2017	Anzures	.....	D14/486
D800,765 S *	10/2017	Stoksik	.....	D14/488
D850,474 S *	6/2019	Karunamuni	.....	D14/485
D879,811 S *	3/2020	Busto	.....	D14/486
D888,076 S *	6/2020	Jang	.....	D14/485
D892,133 S *	8/2020	Busto	.....	D14/485

**1 Claim, 2 Drawing Sheets**



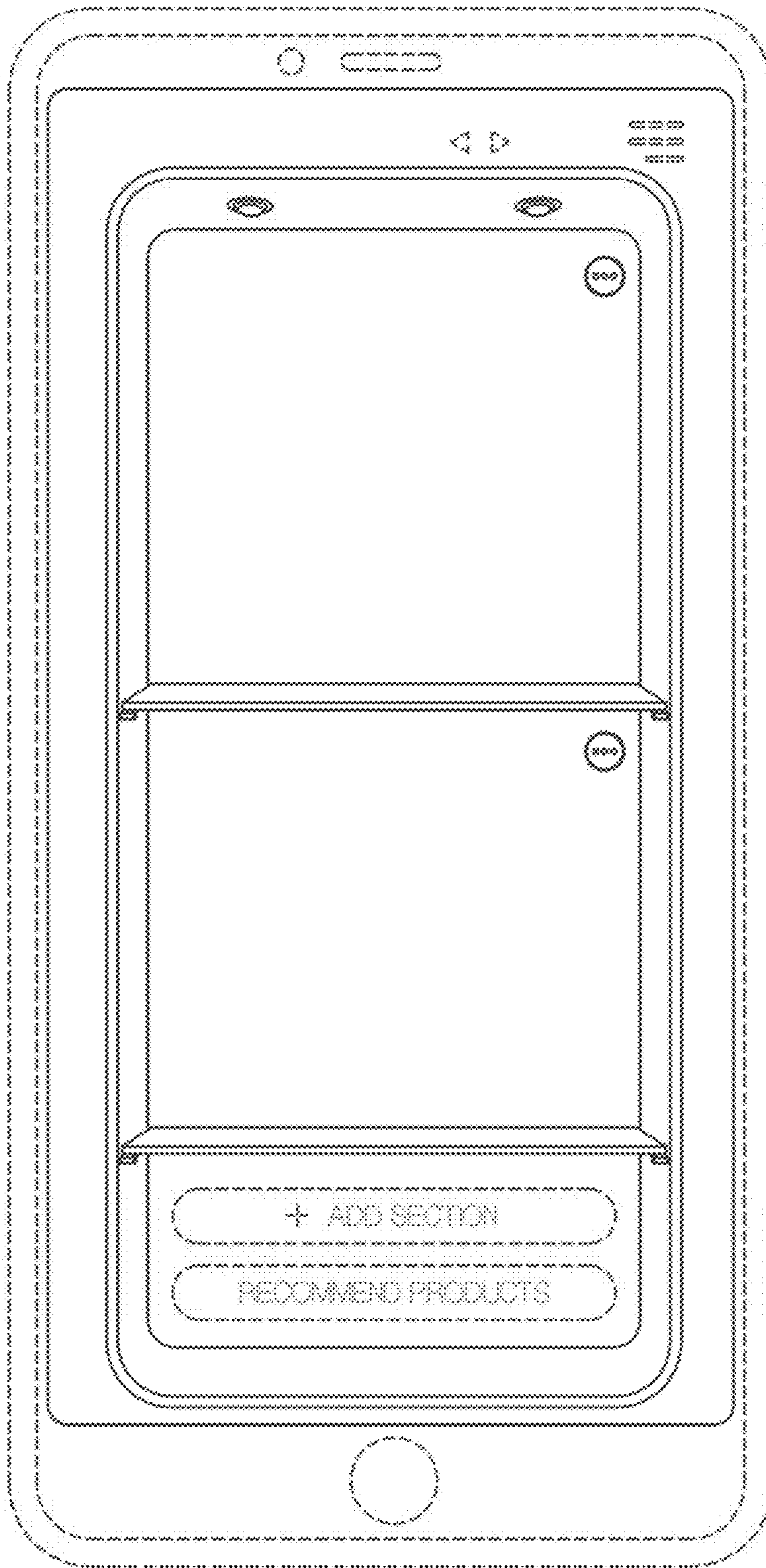


FIG. 1

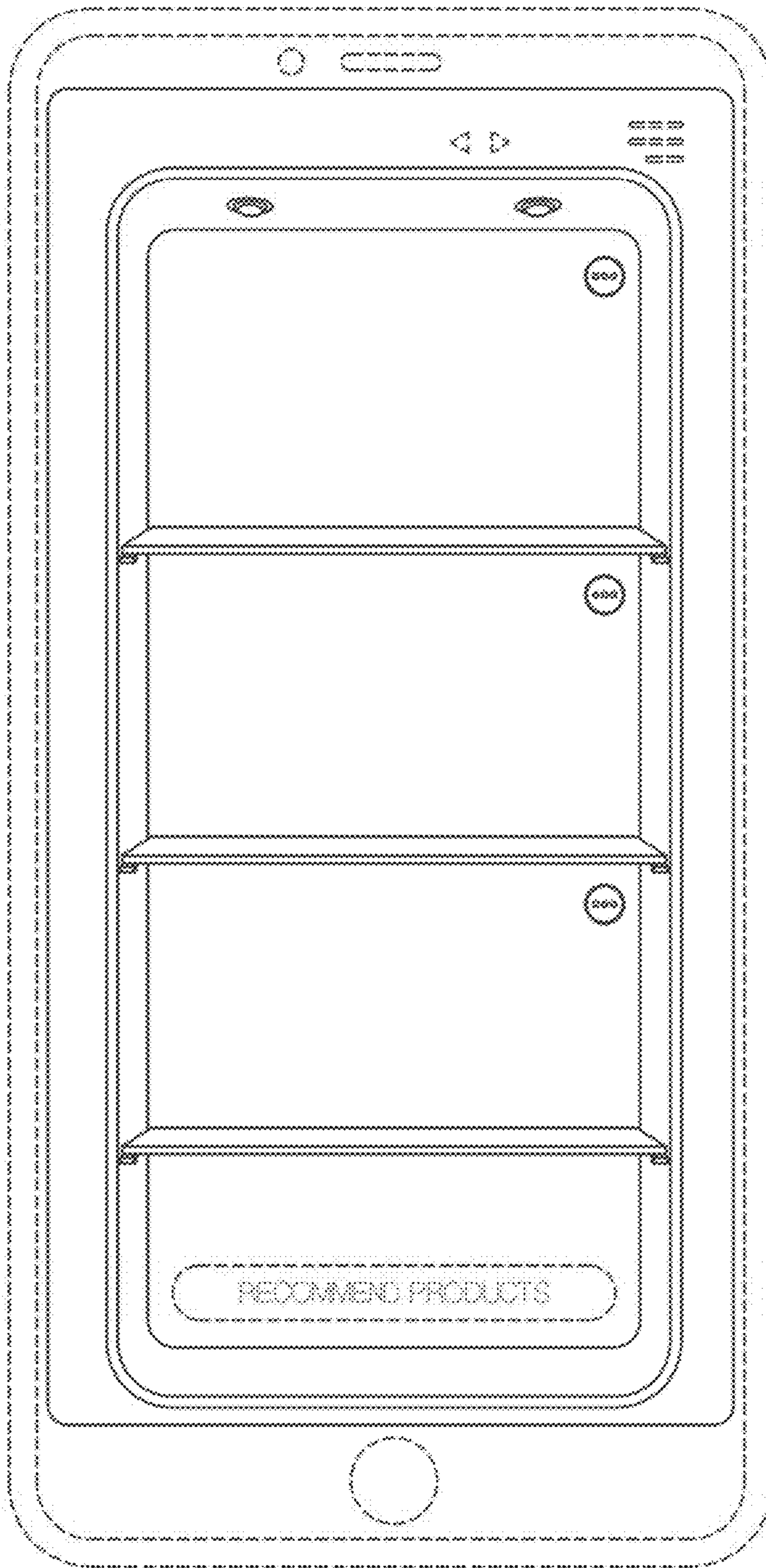


FIG.2