



US00D989772S

(12) **United States Design Patent** (10) **Patent No.:** **US D989,772 S**
Aulert (45) **Date of Patent:** **** Jun. 20, 2023**

(54) **DONGLE**
(71) Applicant: **RF Ideas, Inc.**, Rolling Meadows, IL (US)
(72) Inventor: **Michael C. Aulert**, Cary, IL (US)
(73) Assignee: **RF Ideas, Inc.**, Rolling Meadows, IL (US)

(**) Term: **15 Years**

(21) Appl. No.: **29/782,060**

(22) Filed: **May 4, 2021**

(51) **LOC (14) Cl.** **14-02**

(52) **U.S. Cl.**
USPC **D14/435.1**

(58) **Field of Classification Search**
USPC D13/139.7, 162, 162.1; D14/125, 238.1, D14/239, 357, 358, 383, 385, 387, 432, D14/433, 434, 435, 435.1, 436, 438, 475, D14/480.1, 480.2, 480.3, 480.4, 480.5, D14/480.6, 480.7, 483, 484.1, 299; D21/324, 332, 333
CPC H04W 88/00; H04W 88/085; H04W 88/005; H04N 21/4104; H04N 21/418; H04N 5/40; H05K 7/00; H05K 9/0015; H05K 5/02; H05K 5/0269; H05K 5/0278; H05K 5/0273; H05K 5/0256; H05K 5/026; H05K 5/061; G06F 1/16; G06F 1/1632; G06F 1/266; G06F 2213/0042; G06F 2213/3814; G06F 2213/40; G06F 2213/4004; G05B 2219/34436; G16H 10/65; G06K 19/07732; G06K 19/077; G06K 19/07701; G06K 19/07705; G06K 19/07709

See application file for complete search history.

(56) **References Cited**

U.S. PATENT DOCUMENTS

D444,788 S 7/2001 Do et al.
D454,130 S * 3/2002 Do D14/435.1
6,544,075 B1 4/2003 Liao

(Continued)

FOREIGN PATENT DOCUMENTS

CN 307348205 * 5/2022
EP 2224692 A2 * 9/2010 H01R 13/447
WO WO-2020171884 A1 * 8/2020 H01R 12/57

OTHER PUBLICATIONS

ELATEC TWN4 USB Front Reader, posted Dec. 20, 2018 [online], [retrieved Apr. 18, 2023]. Retrieved from internet, <https://www.youtube.com/watch?v=7X3oz8iPOkE> (Year: 2018).*

Primary Examiner — Marie D. Fast Horse

Assistant Examiner — Josiah D. Parsons

(74) *Attorney, Agent, or Firm* — Hoffmann and Baron, LLP; Glenn Henneberger

(57) **CLAIM**

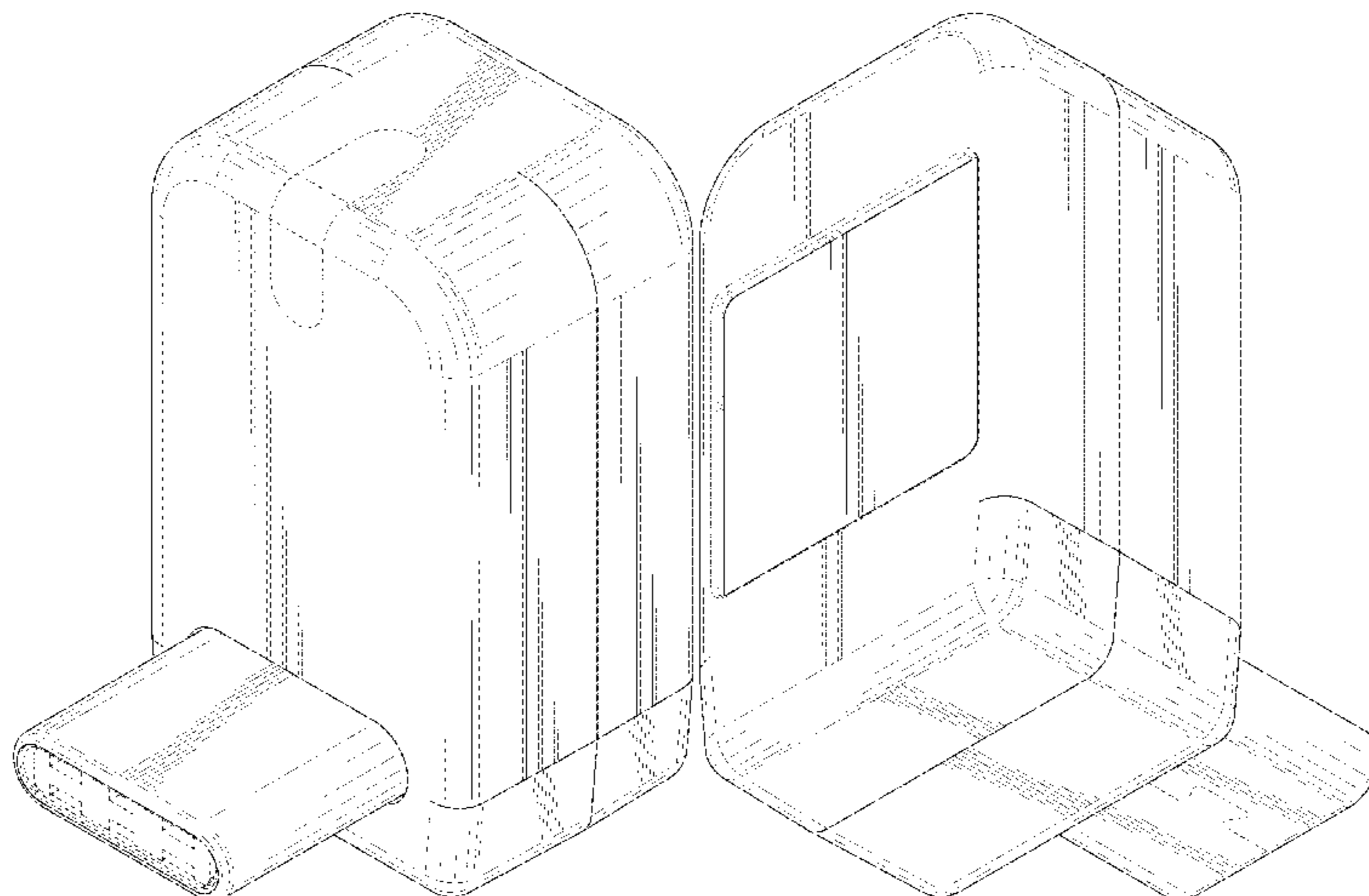
The ornamental design for a dongle, as shown and described.

DESCRIPTION

FIG. 1 is a front perspective view of a dongle constructed in accordance with the invention;
FIG. 2 is a bottom rear perspective view of the dongle as shown in FIG. 1;
FIG. 3 is a front view of the dongle as shown in FIG. 1;
FIG. 4 is a right side view of the dongle as shown in FIG. 1;
FIG. 5 is a rear view of the dongle as shown in FIG. 1;
FIG. 6 is a left side view of the dongle as shown in FIG. 1;
FIG. 7 is a top elevational view of the dongle as shown in FIG. 1; and,
FIG. 8 is a bottom elevational view of the dongle as shown in FIG. 1.

The broken lines shown in the drawings depict portions of the dongle that form no part of th claimed design.

1 Claim, 8 Drawing Sheets



(56)

References Cited

U.S. PATENT DOCUMENTS

D531,579 S *	11/2006	Peng	D13/147	D737,201 S	8/2015	Liu	
D532,776 S *	11/2006	Griffin	D14/435.1	D764,479 S	8/2016	Kim et al.	
D536,695 S	2/2007	Griffin			D765,082 S *	8/2016	Allen, Sr. D14/433
D576,619 S *	9/2008	Udagawa	D14/435.1	D772,879 S	11/2016	Eliyahu	
D589,455 S *	3/2009	Wu	D14/435.1	D781,866 S	3/2017	Aulert	
D601,093 S *	9/2009	Wu	D14/435.1	D781,867 S	3/2017	Aulert	
D603,864 S	11/2009	Borislow			D786,264 S	5/2017	Lin et al.	
D618,240 S	6/2010	Larmour et al.			D788,111 S *	5/2017	Ji D14/433
D621,831 S *	8/2010	Whitcomb	D14/435.1	D793,397 S *	8/2017	Eliyahu D14/433
D626,958 S *	11/2010	Jardine	D14/435.1	D798,307 S	9/2017	Otsuka et al.	
D627,784 S *	11/2010	Yamamoto	D14/435.1	D813,212 S *	3/2018	Nangeroni D14/240
D635,142 S *	3/2011	Borislow	D14/435.1	D848,445 S	5/2019	Aulert	
D641,364 S	7/2011	McParland			2008/0144270 A1	6/2008	Dal Porto et al.	
D642,585 S	8/2011	Lan et al.			2009/0190298 A1 *	7/2009	Panas H05K 5/0278
D668,258 S	10/2012	Lee et al.						361/679.32
D669,899 S *	10/2012	Cheng	D14/435.1	2015/0332035 A1 *	11/2015	Hama G06K 19/07354
D678,187 S	3/2013	Huang						726/16
D688,651 S	8/2013	Daniel			2018/0302964 A1 *	10/2018	Thompson G06F 13/4282
D700,372 S	2/2014	Altman			2020/0274272 A1 *	8/2020	So H01R 43/205
D733,651 S	7/2015	Liu			2020/0285819 A1 *	9/2020	Haertel G06K 7/10316
					2020/0382825 A1 *	12/2020	Nedved H04N 21/418
					2021/0282288 A1 *	9/2021	Jensen H05K 5/0278

* cited by examiner

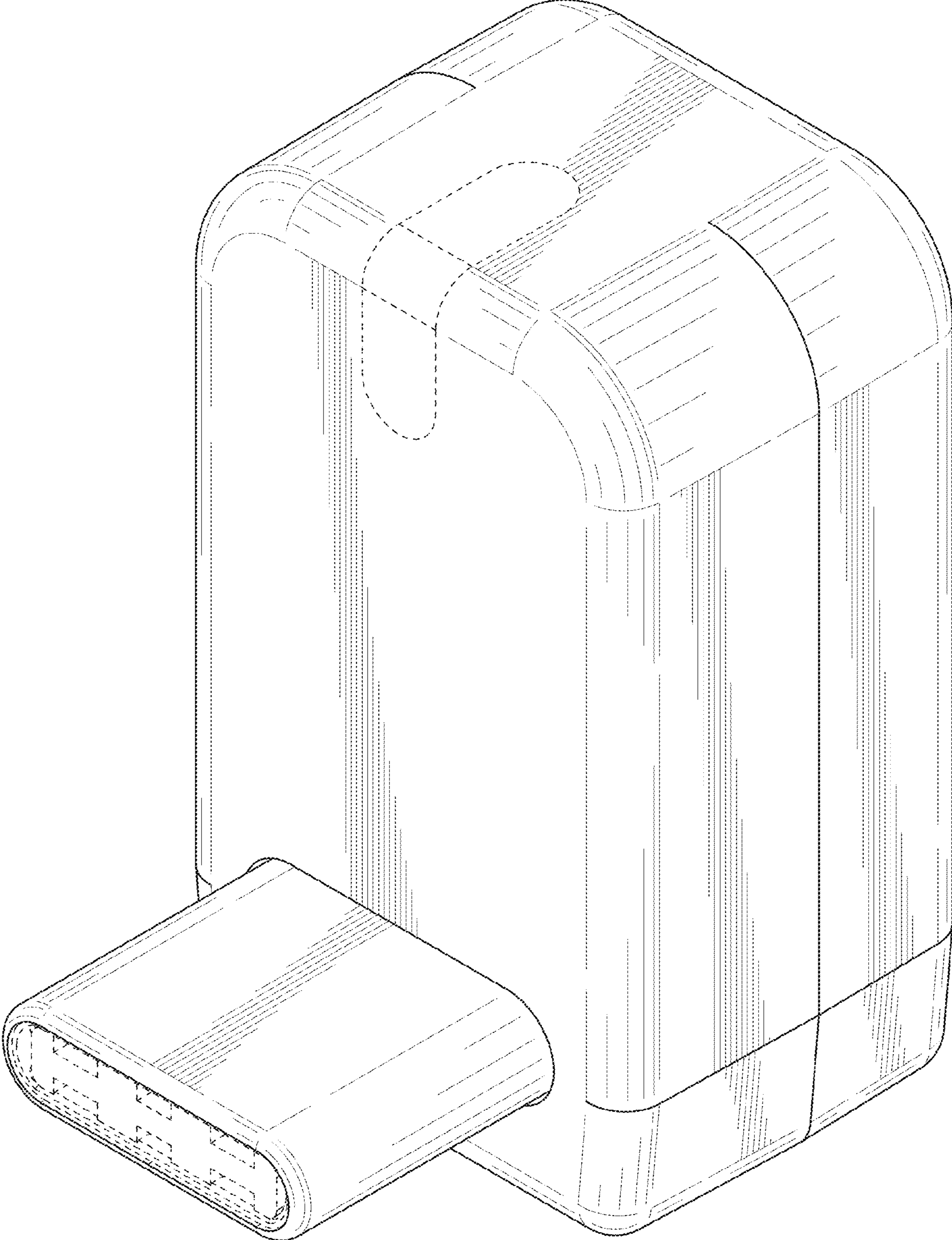


FIG. 1

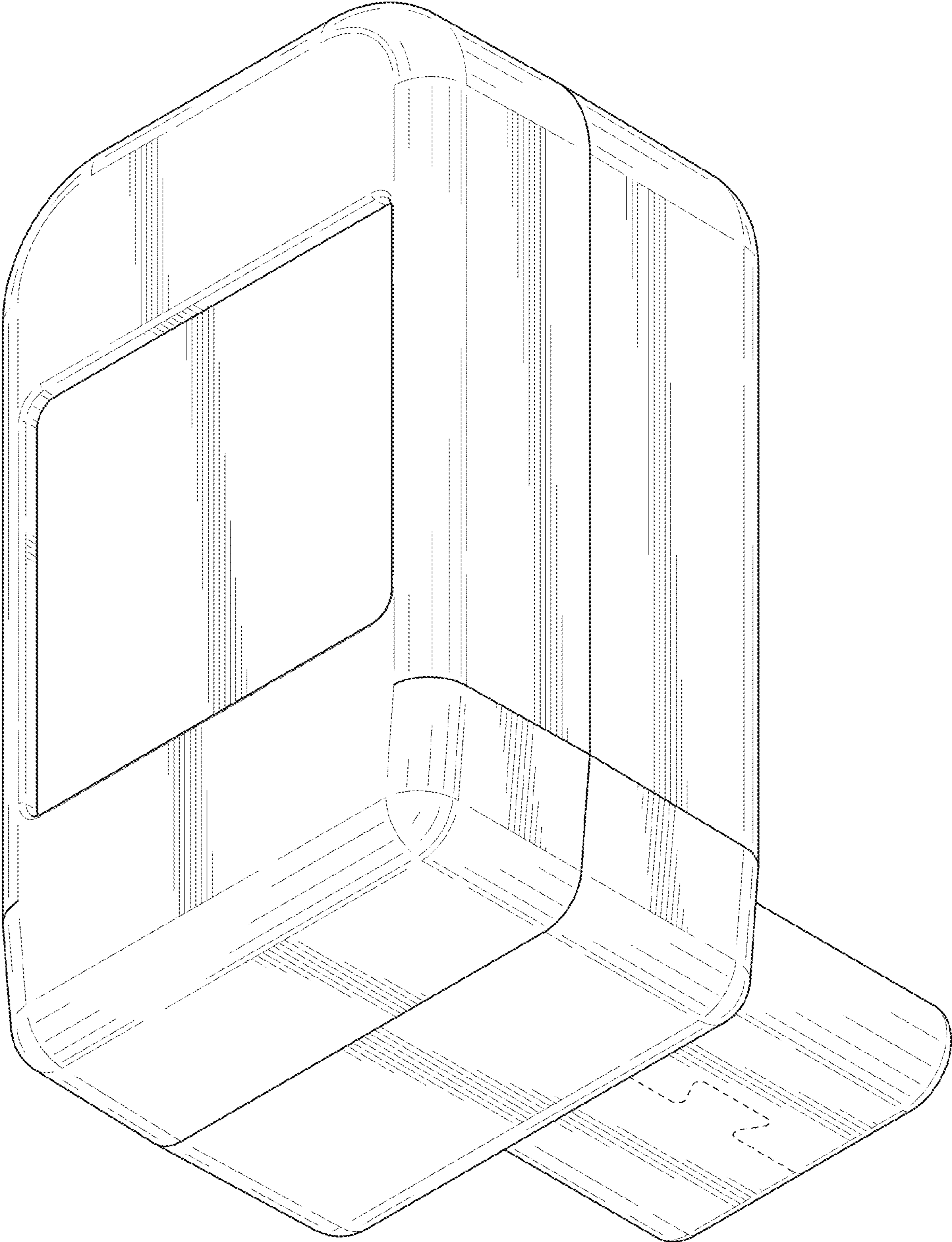


FIG. 2

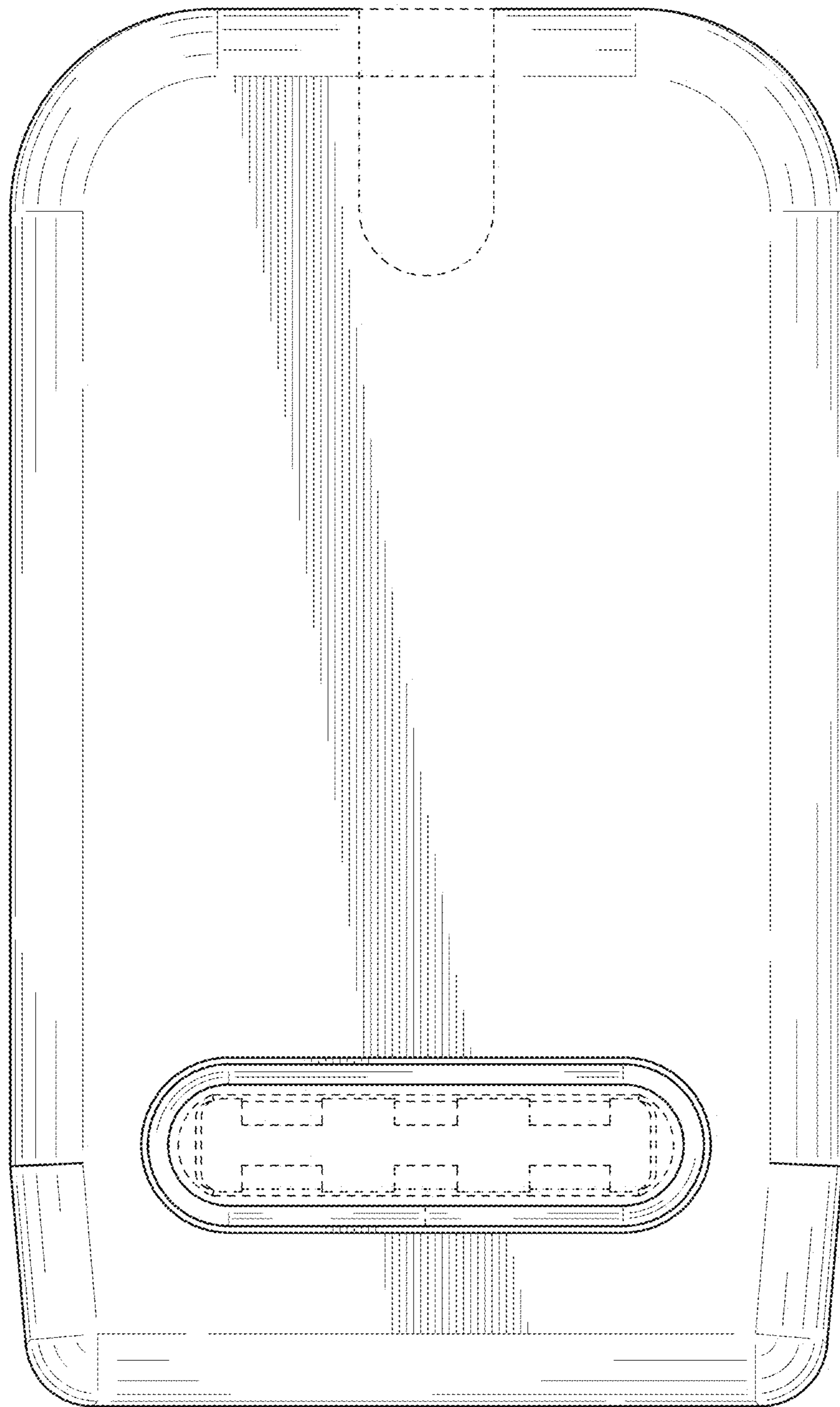


FIG. 3

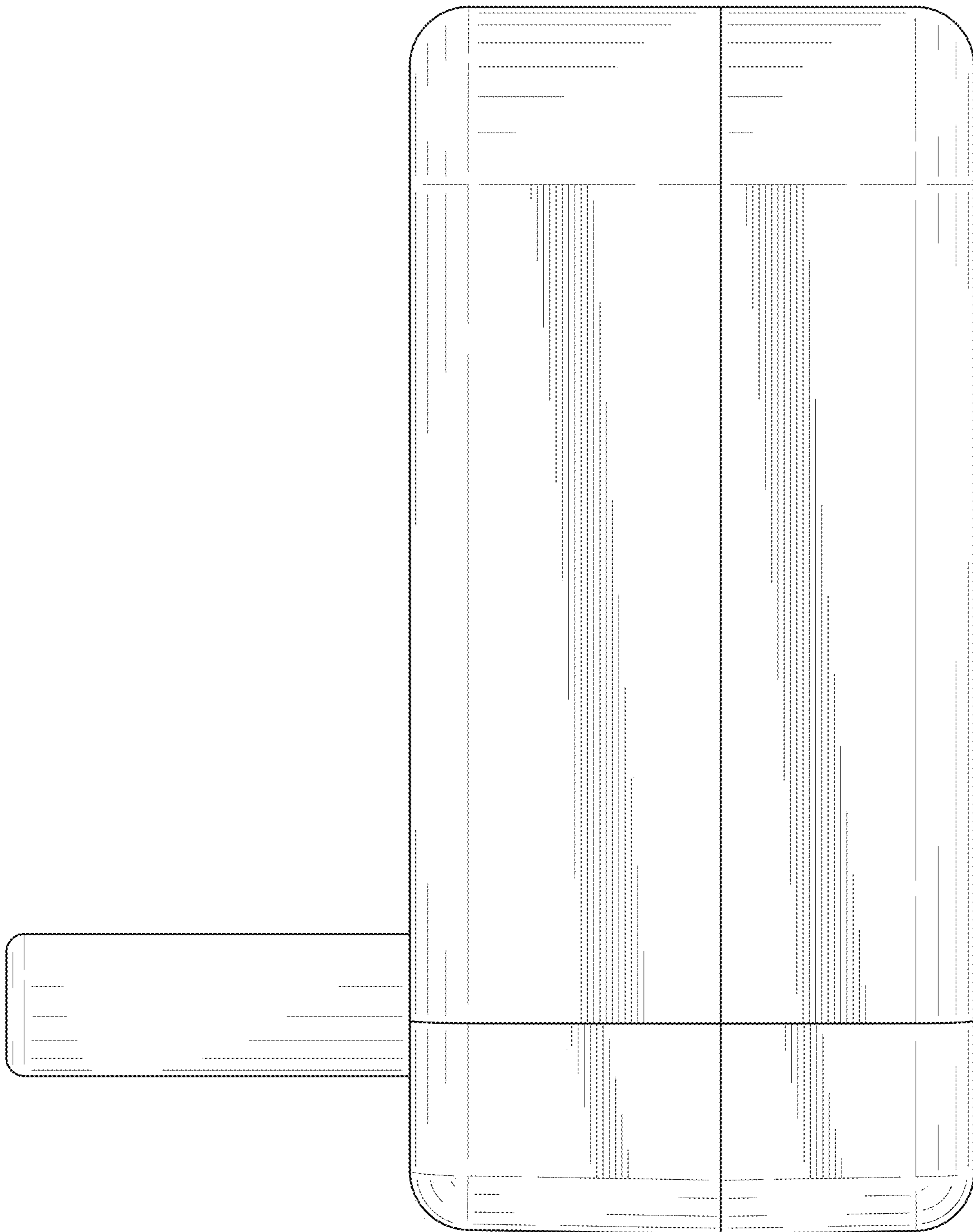


FIG. 4

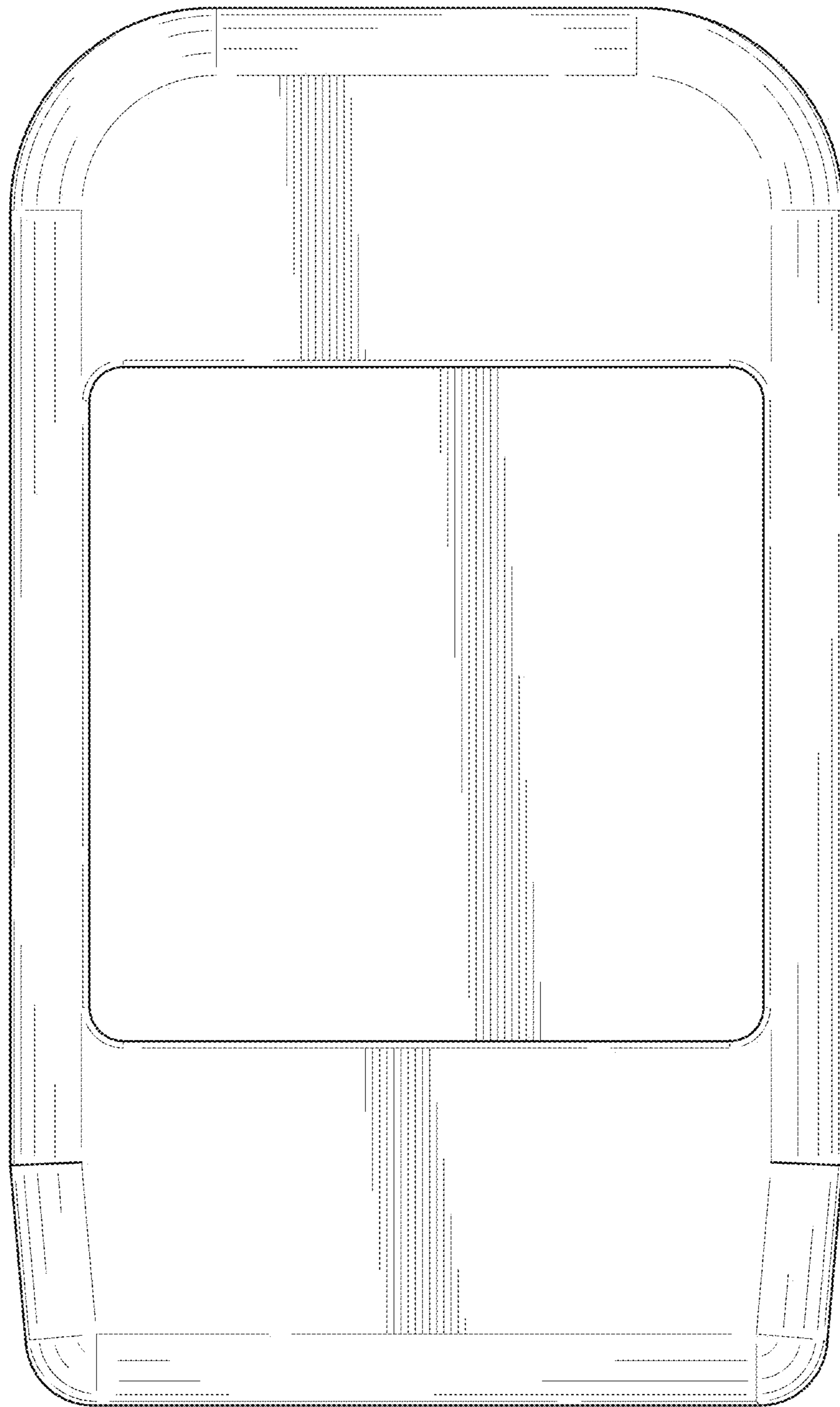


FIG. 5

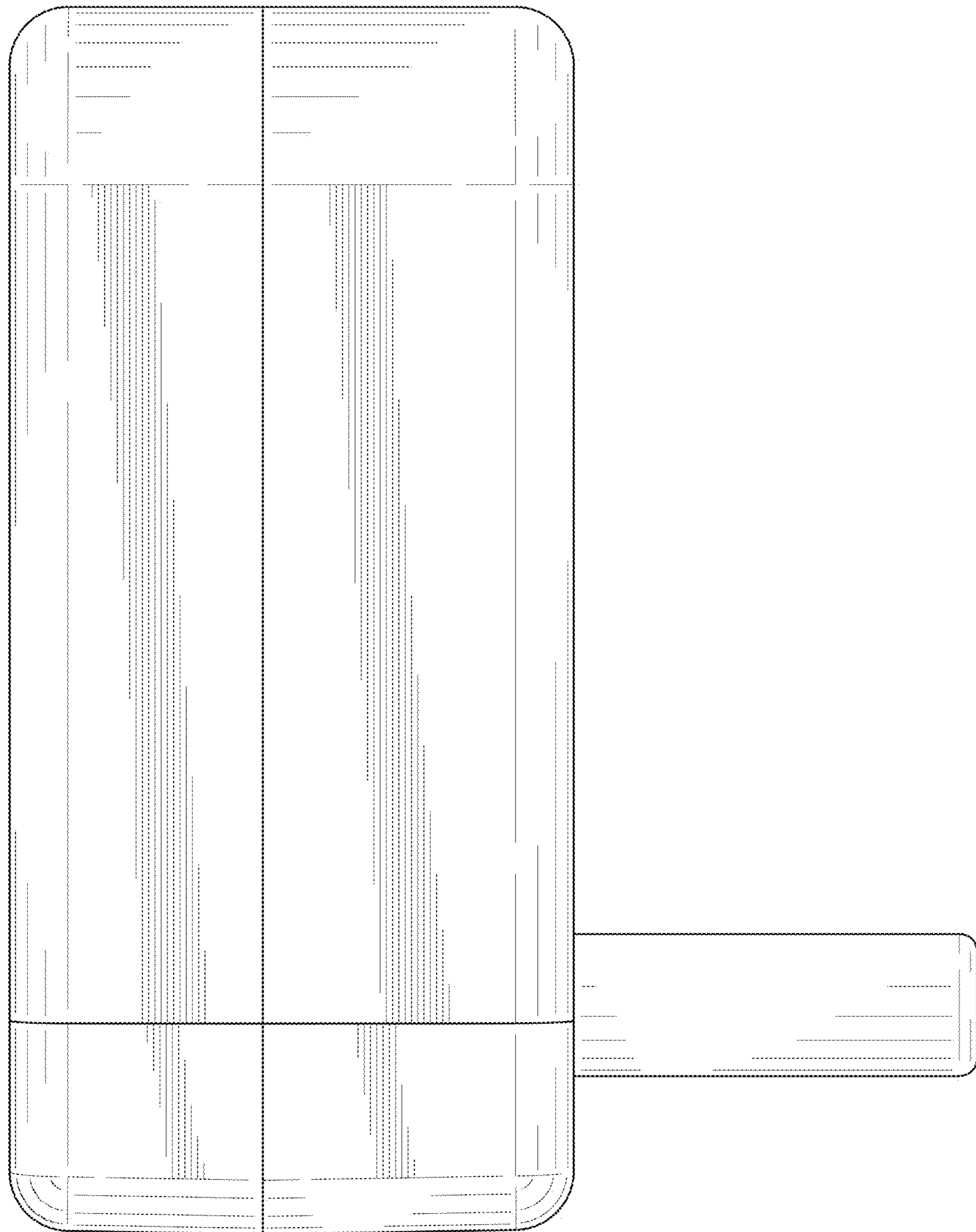


FIG. 6

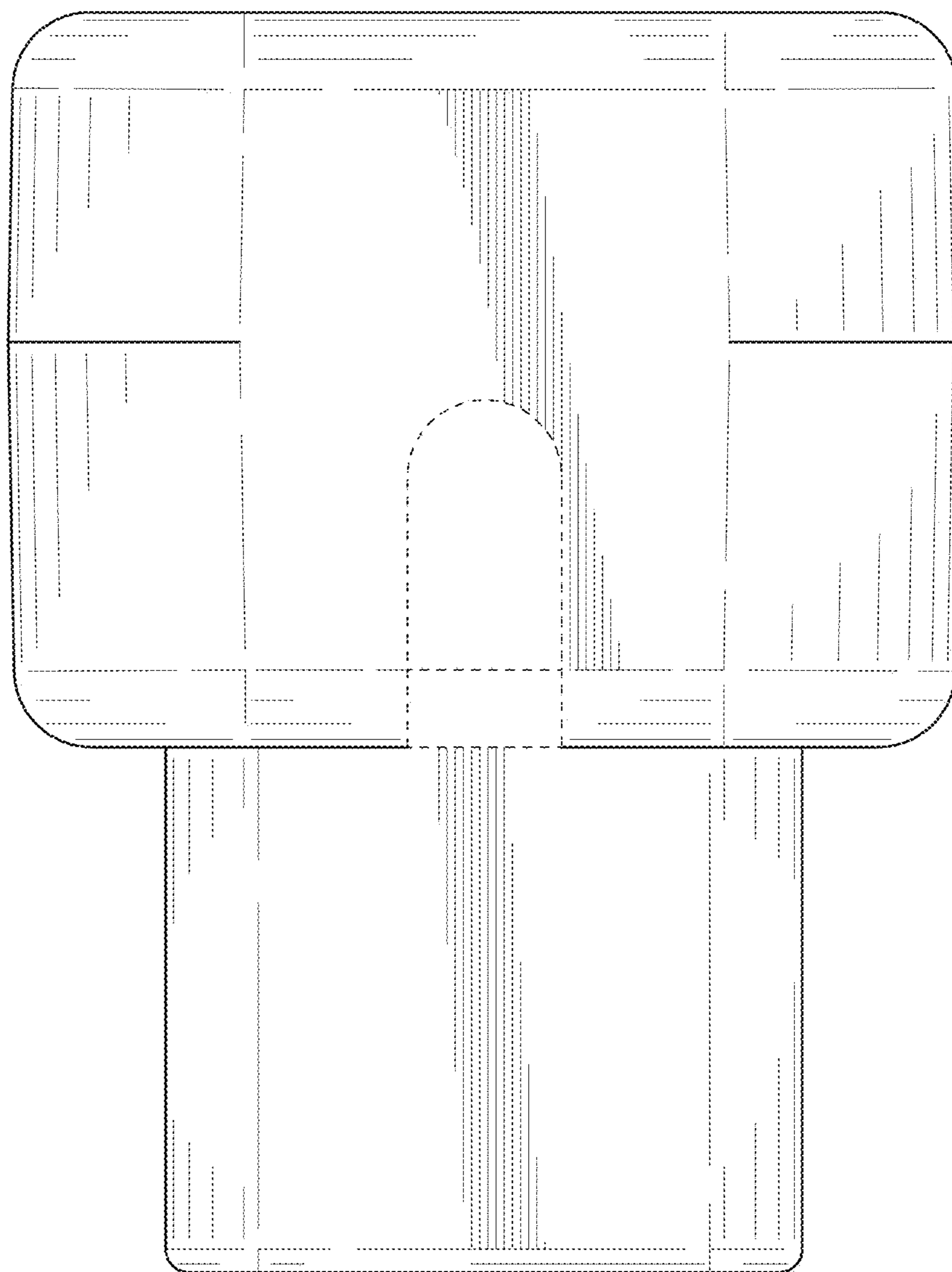


FIG. 7

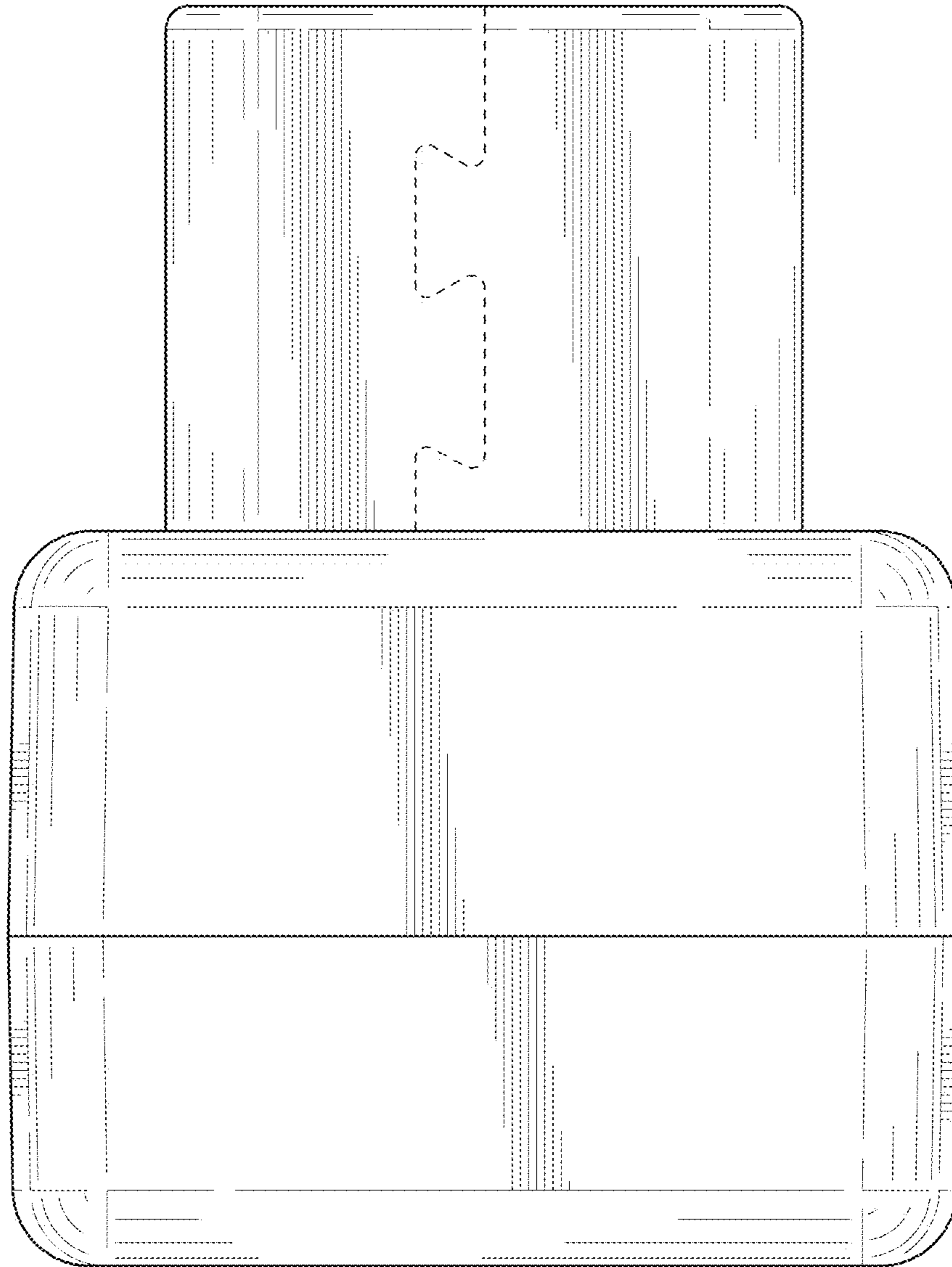


FIG. 8