



US00D989770S

(12) **United States Design Patent** (10) **Patent No.:** **US D989,770 S**
Cruice et al. (45) **Date of Patent:** **** Jun. 20, 2023**

(54) **CRADLE FOR SUPPORTING AN ELECTRONIC DEVICE**

D916,656 S * 4/2021 Choe D27/183
D925,119 S * 7/2021 Kim D27/194
D943,191 S * 2/2022 Kim D27/194

(71) Applicant: **Nicoventures Trading Limited**,
London (GB)

OTHER PUBLICATIONS

(72) Inventors: **Anthony Cruice**, London (GB);
Ainsley Cox, London (GB)

Instagram.com_Vuse Vapor Alto Docking Station, first available Jun. 9, 2021 [online], retrieved Jan. 20, 2023, available at URL: www.instagram.com/p/CP56enqAHfH/ (Year: 2021).*

(73) Assignee: **Nicoventures Trading Limited**,
London (GB)

* cited by examiner

(**) Term: **15 Years**

Primary Examiner — Wendy L Arminio

Assistant Examiner — Carrie S Gelula

(21) Appl. No.: **29/788,075**

(74) *Attorney, Agent, or Firm* — Patterson Thunte, P.A.

(22) Filed: **Mar. 5, 2021**

(57) **CLAIM**

We claim the ornamental design for a cradle for supporting an electronic device, as shown and described.

(30) **Foreign Application Priority Data**

DESCRIPTION

Sep. 10, 2020 (EM) 008164610

(51) **LOC (14) Cl.** **27-99**

(52) **U.S. Cl.**
USPC **D27/194**

(58) **Field of Classification Search**
USPC ... D14/209.1, 217, 224, 253, 434, 447, 453;
D13/108; D19/75; D6/682; D8/380;
D27/194
CPC .. F16M 13/00; A47B 2023/049; A47B 23/04;
A47B 2220/0091
See application file for complete search history.

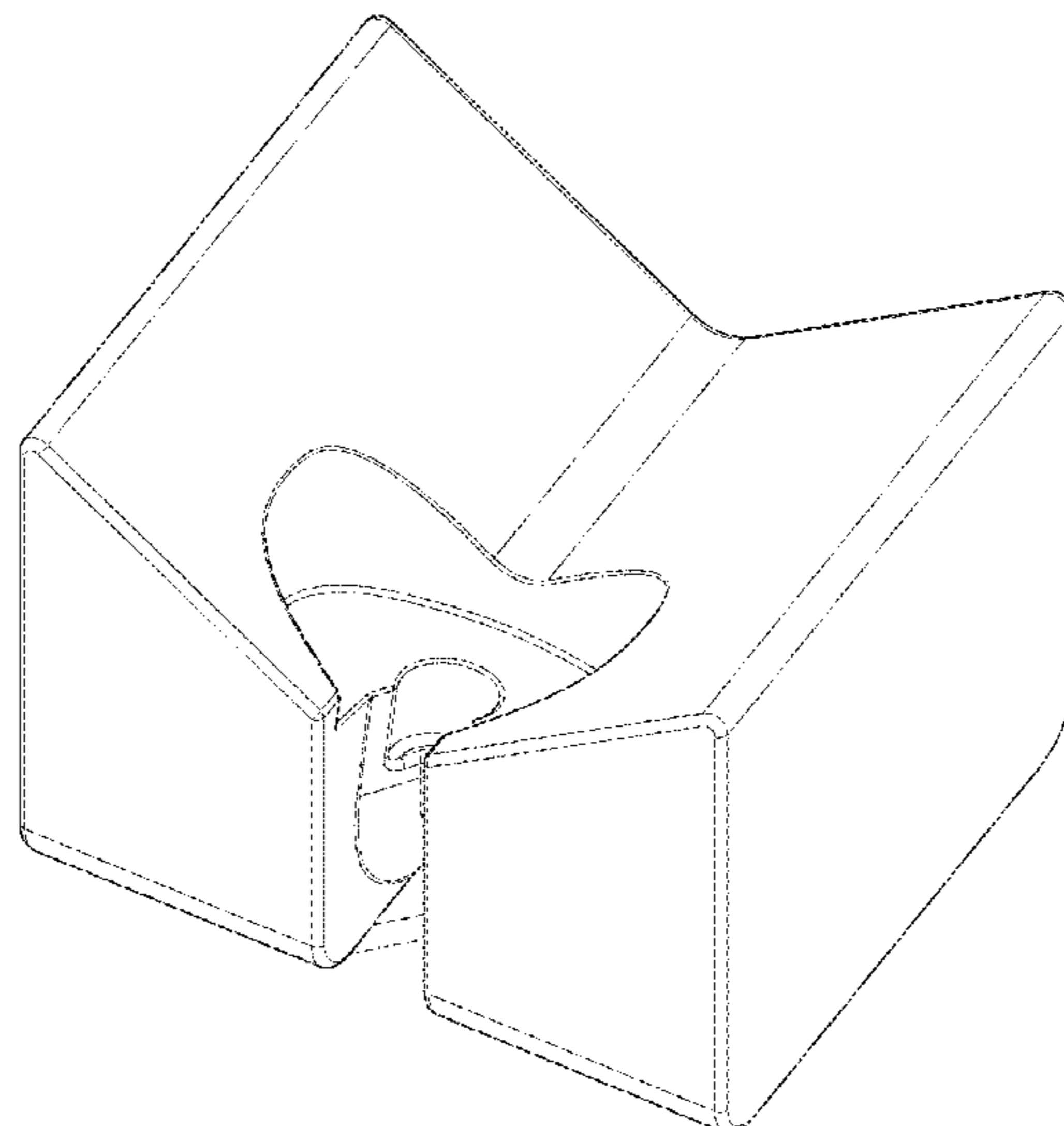
FIG. 1 is a top front perspective view of a cradle for supporting an electronic device.
FIG. 2 is a bottom rear perspective view of the cradle for supporting an electronic device depicted in FIG. 1.
FIG. 3 is a front elevational view of the cradle for supporting an electronic device depicted in FIG. 1.
FIG. 4 is a rear elevational view of the cradle for supporting an electronic device depicted in FIG. 1.
FIG. 5 is a top plan view of the cradle for supporting an electronic device depicted in FIG. 1.
FIG. 6 is a bottom plan view of the cradle for supporting an electronic device depicted in FIG. 1.
FIG. 7 is a left side elevational view of the cradle for supporting an electronic device depicted in FIG. 1; and,
FIG. 8 is a right side elevational view of the cradle for supporting an electronic device depicted in FIG. 1.
The broken lines in the drawings illustrate portions of the cradle for supporting an electronic device that form no part of the claimed design.

(56) **References Cited**

U.S. PATENT DOCUMENTS

D422,556 S * 4/2000 Okura D13/107
D703,215 S * 4/2014 Alesi D14/447
D726,690 S * 4/2015 Andre D14/217
D774,248 S * 12/2016 Jordan D27/194
D786,789 S * 5/2017 Jordan D27/194
D829,110 S * 9/2018 Skurdal D10/2
D865,752 S * 11/2019 Richardson D14/253
D873,831 S * 1/2020 DePaolo D14/434

1 Claim, 8 Drawing Sheets



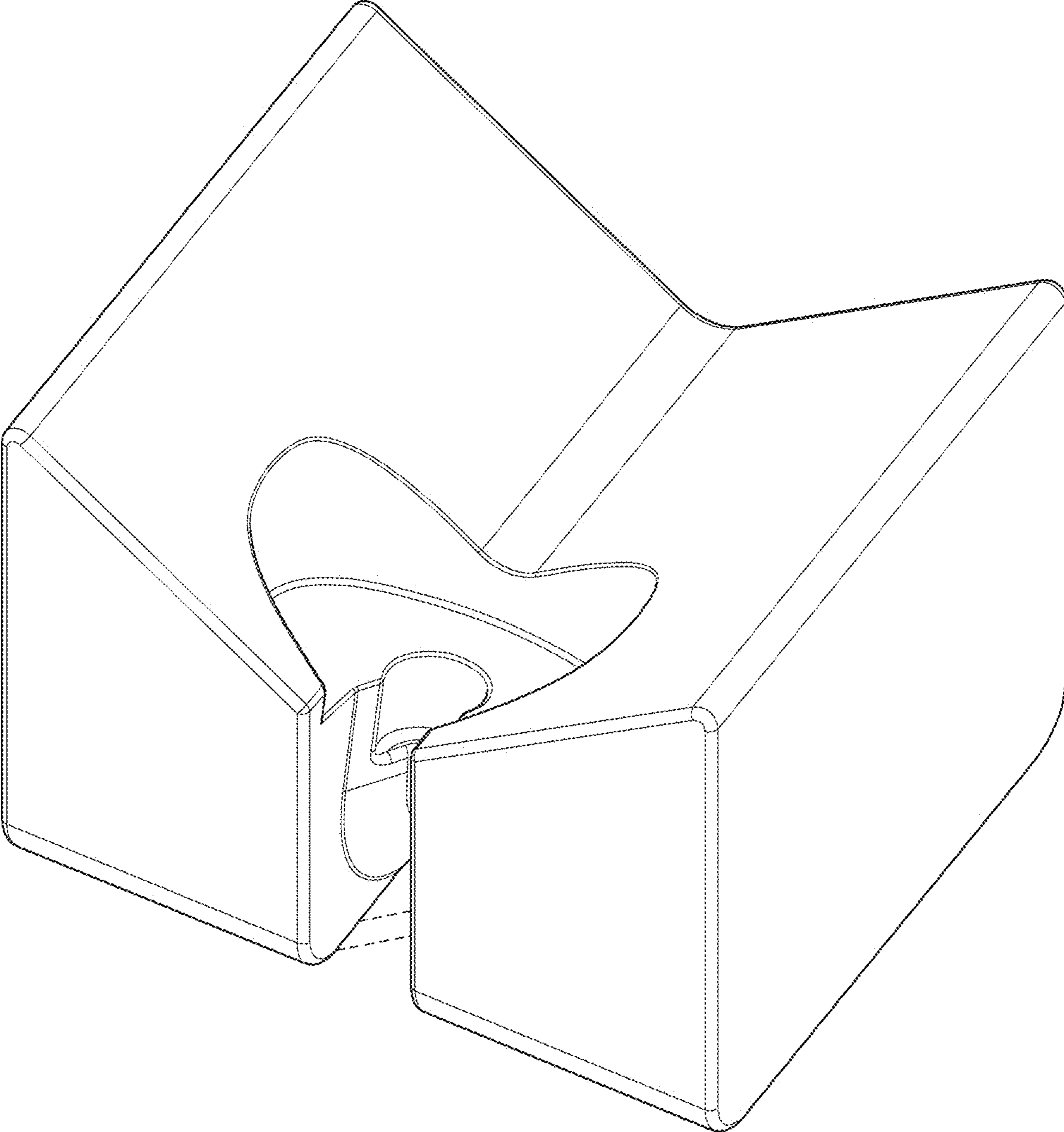


FIG. 1

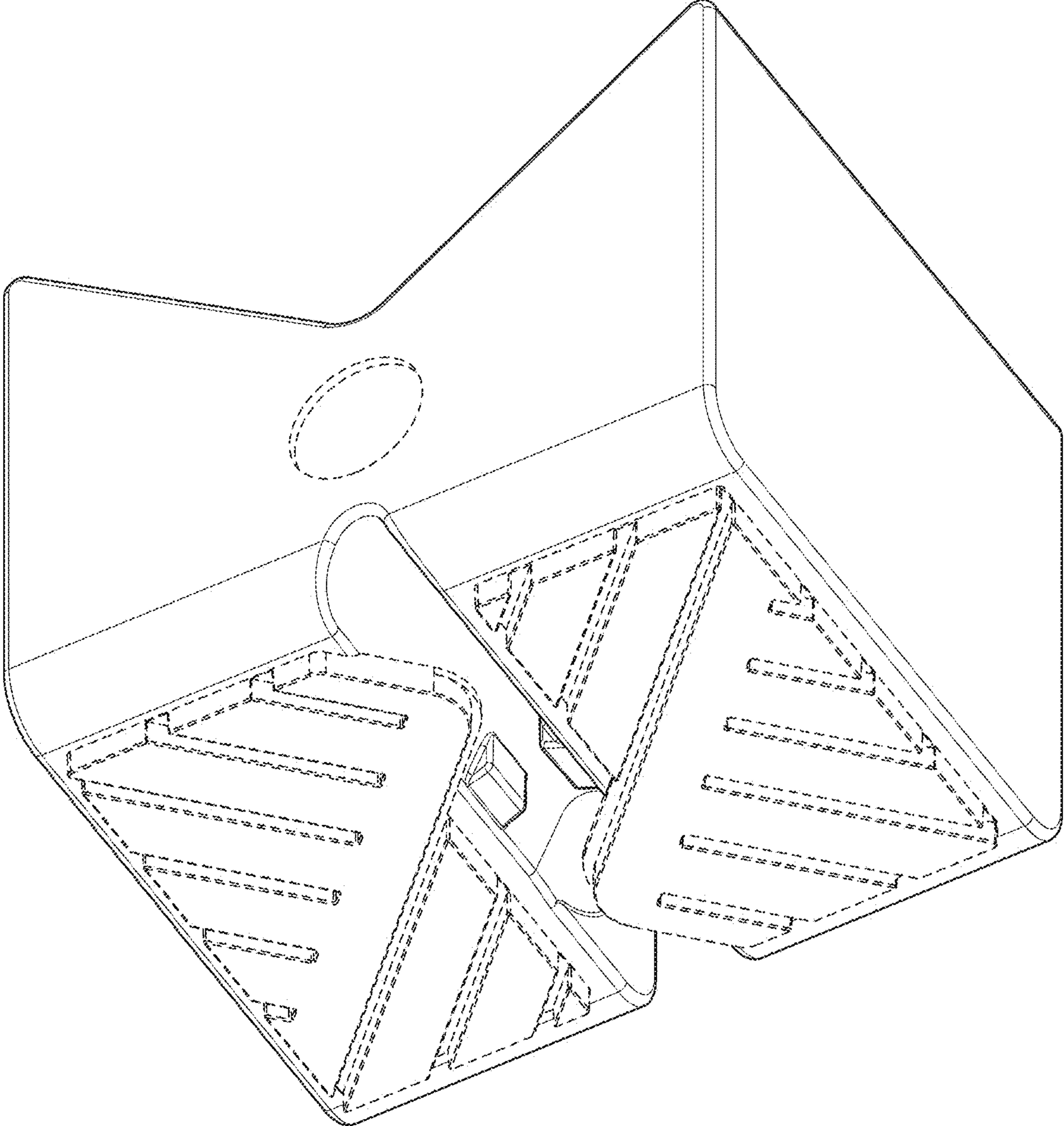


FIG. 2

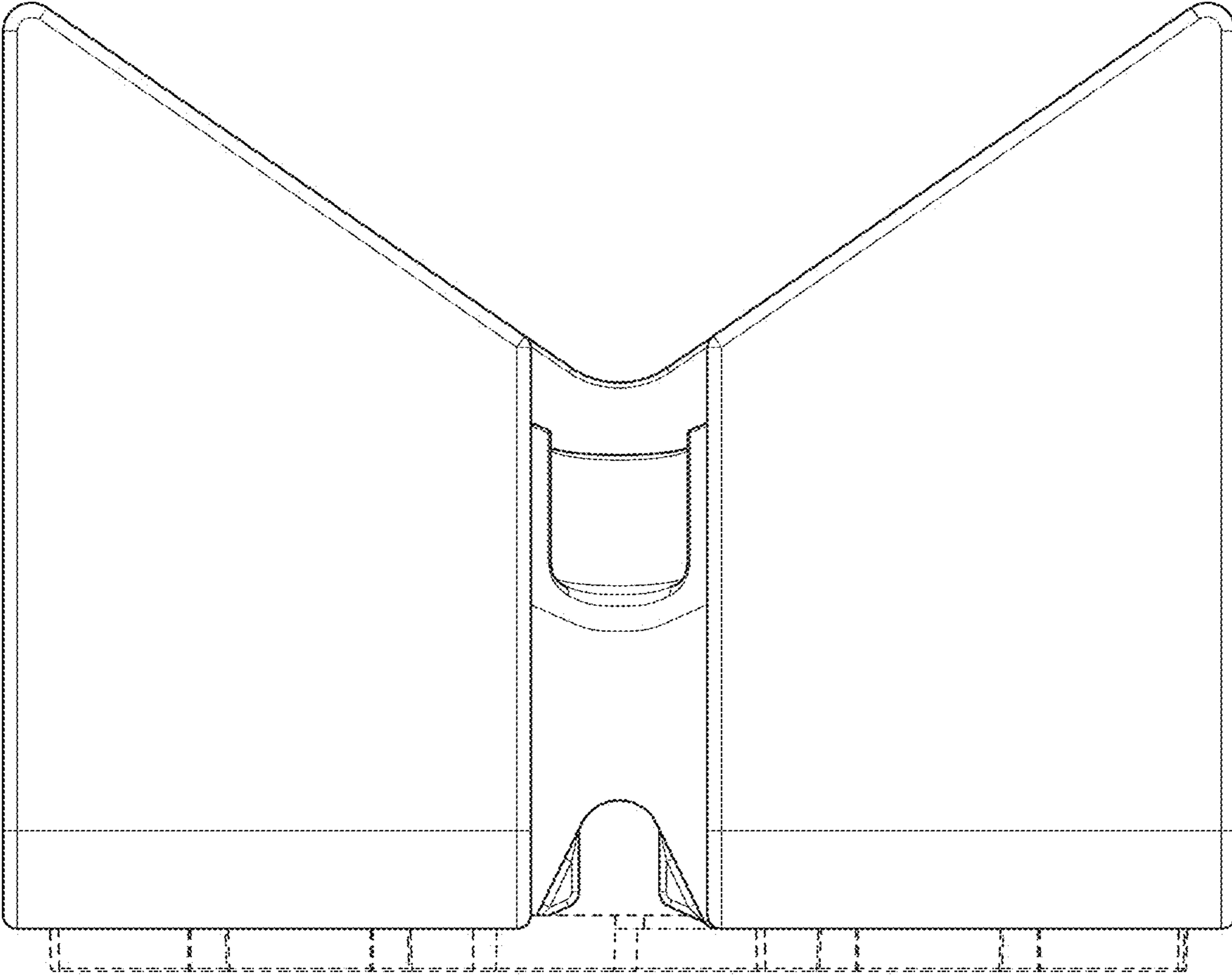


FIG. 3

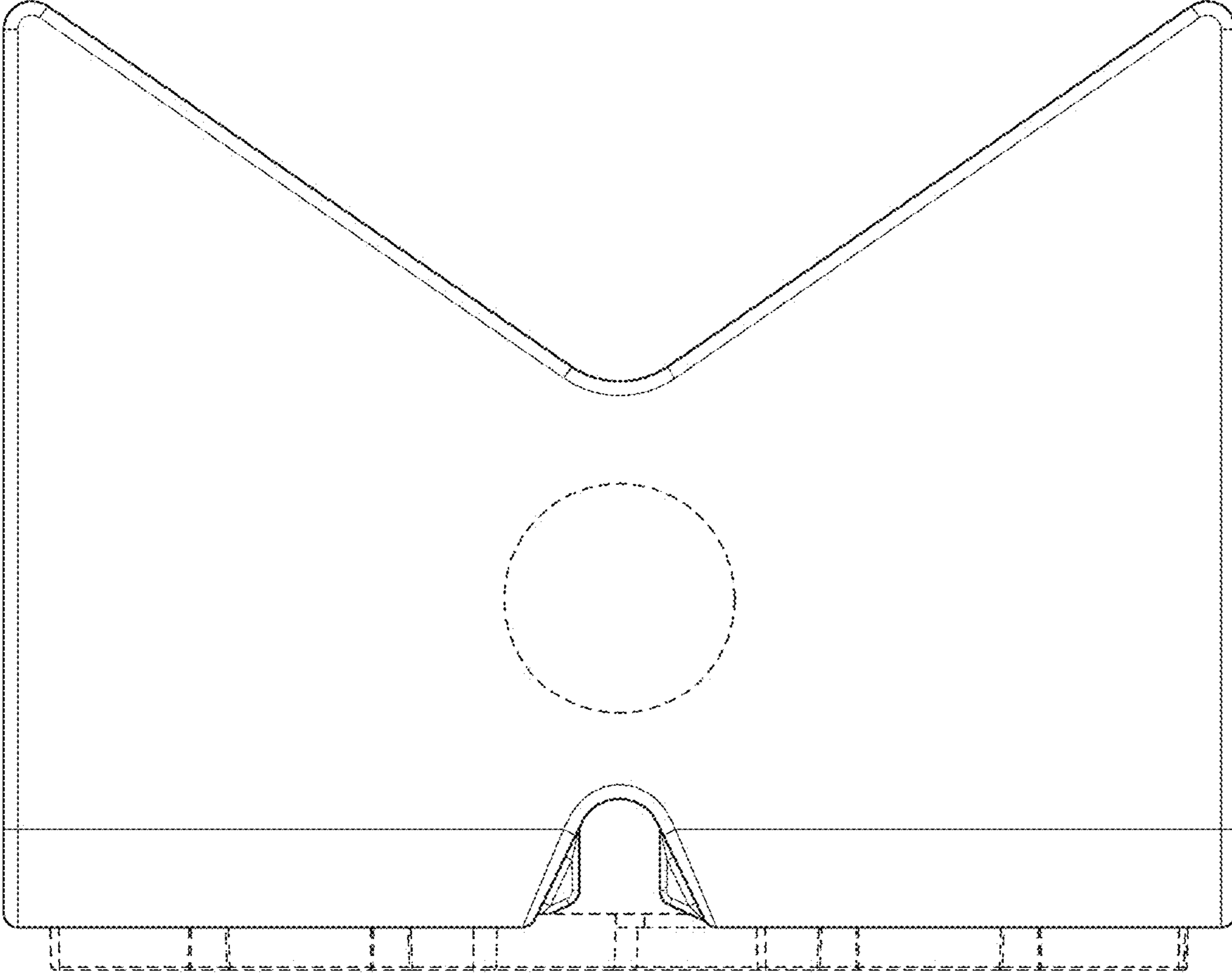


FIG. 4

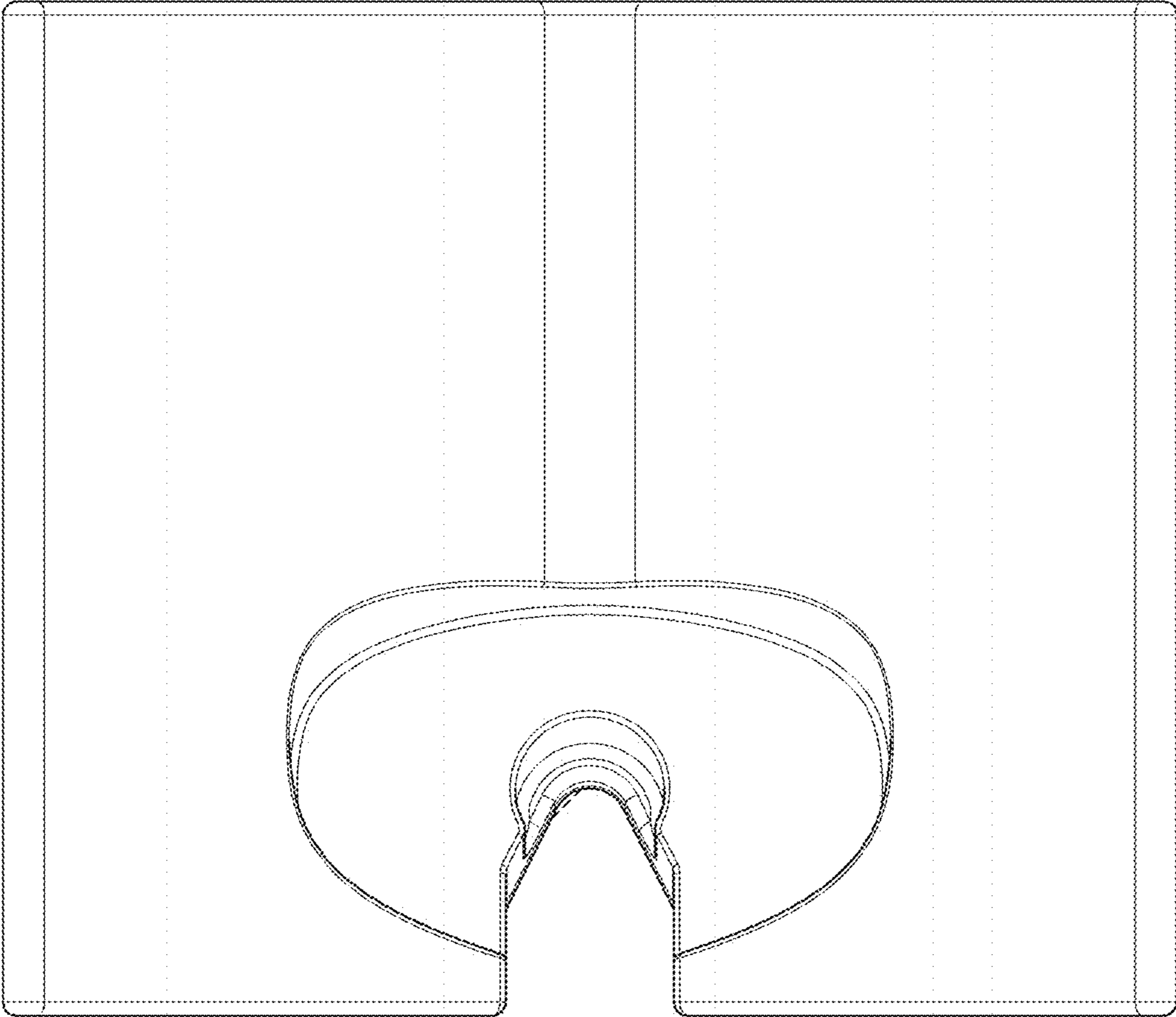


FIG. 5

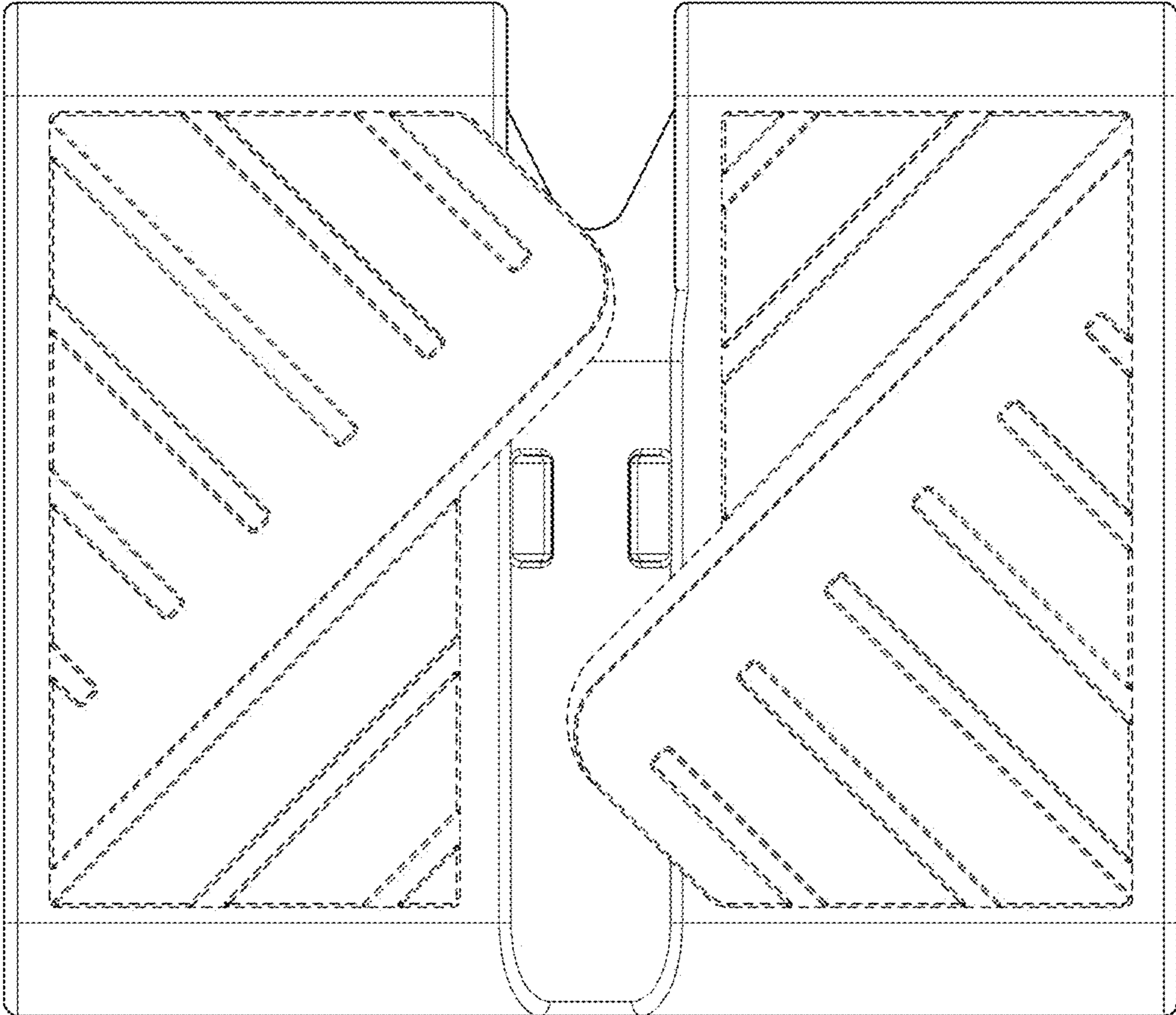


FIG. 6

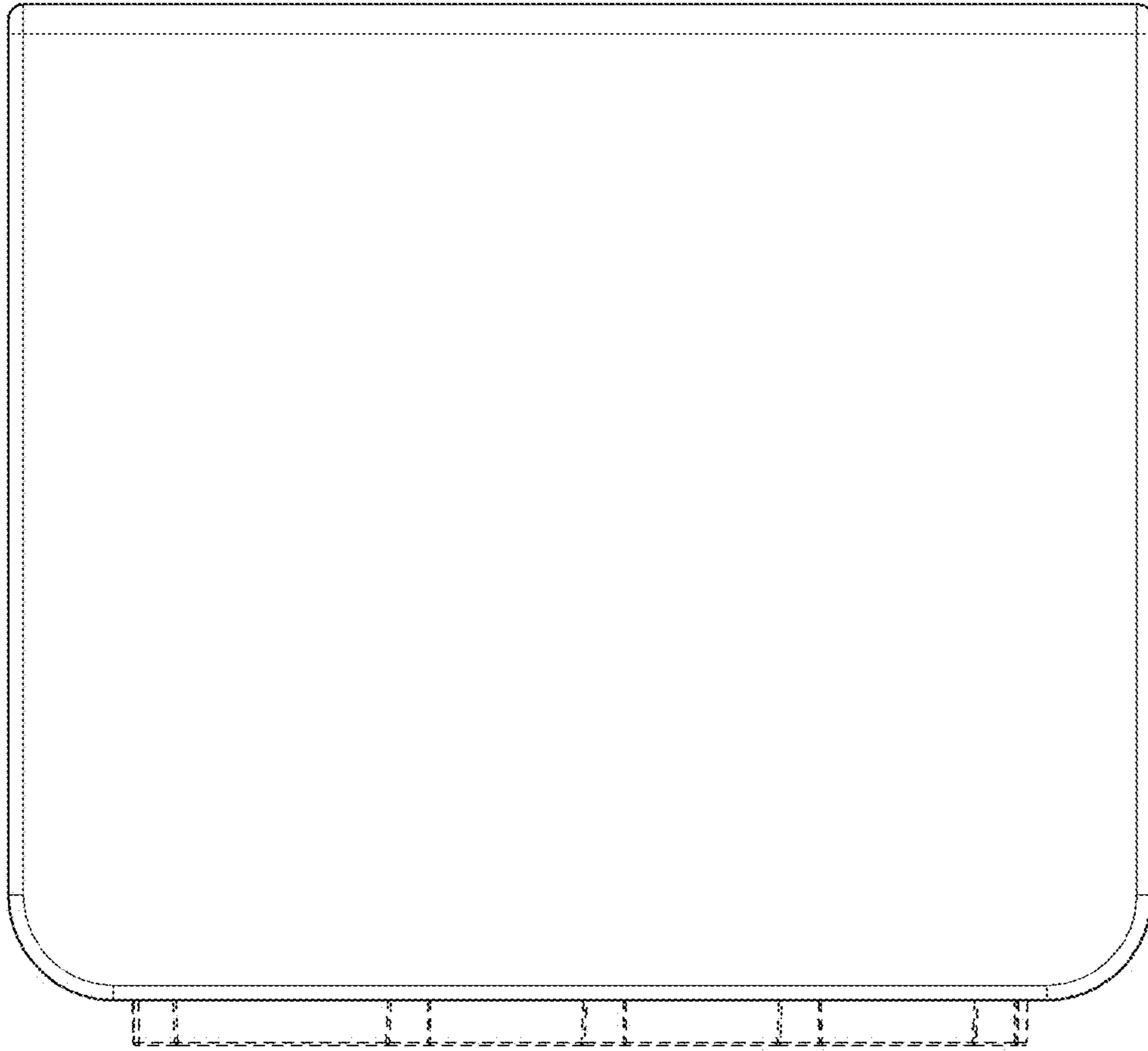


FIG. 7

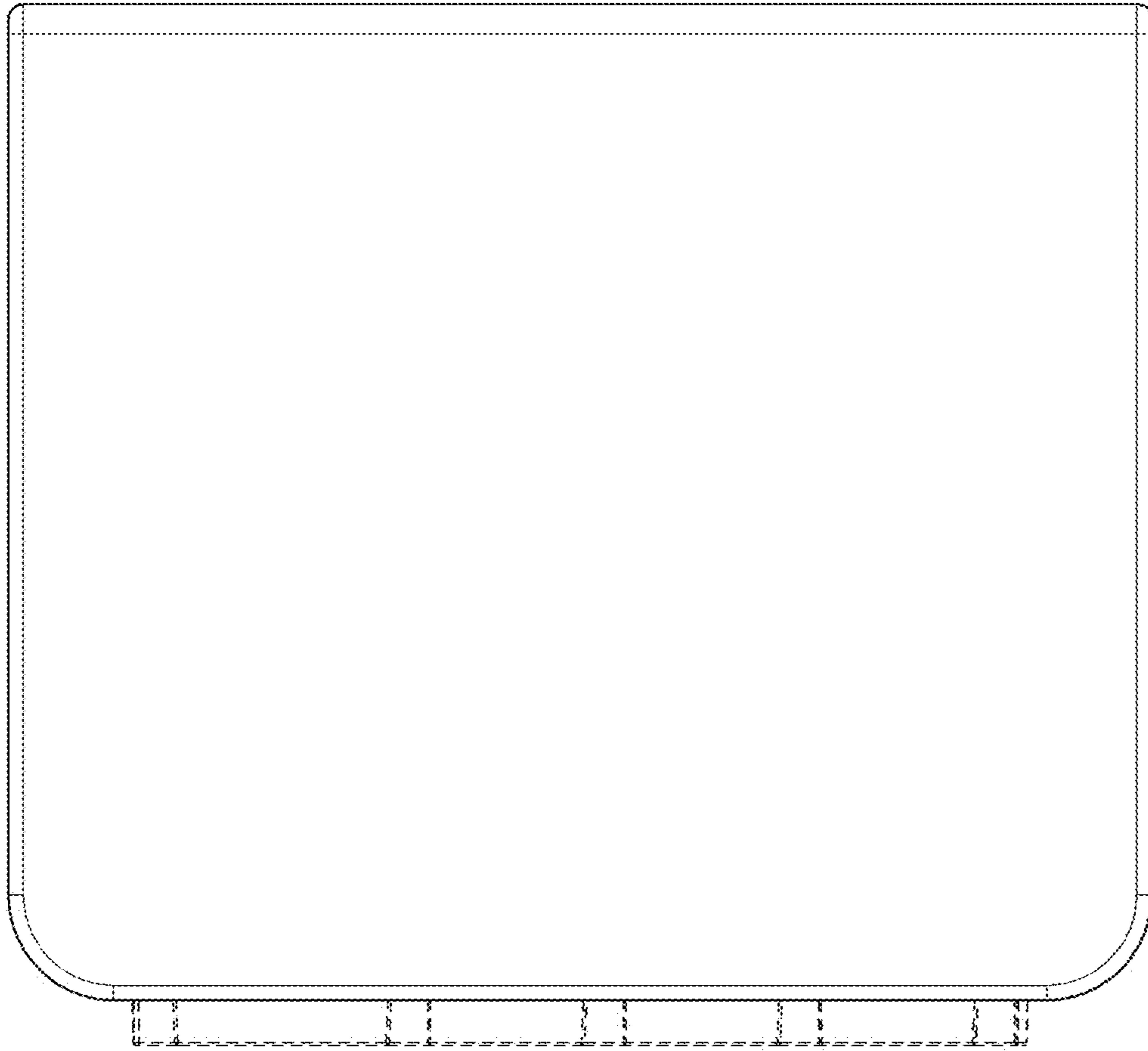


FIG. 8