



US00D989768S

(12) **United States Design Patent**
Nyholm et al.

(10) **Patent No.:** **US D989,768 S**
(45) **Date of Patent:** **** Jun. 20, 2023**

(54) **CASE FOR A TABLET SHAPED DEVICE**

(71) Applicant: **STM Management Pty Ltd,**
Alexandria (AU)

(72) Inventors: **Ethan Nyholm,** North Bondi (AU);
Jacob Goodridge, Kelvin Grove (AU)

(73) Assignee: **STM Management Pty Ltd,**
Alexandria (AU)

(**) Term: **15 Years**

(21) Appl. No.: **29/778,729**

(22) Filed: **Apr. 14, 2021**

(51) **LOC (14) Cl.** **14-02**

(52) **U.S. Cl.**
USPC **D14/440**

(58) **Field of Classification Search**
USPC D14/315, 318, 324, 328, 341, 344, 345,
D14/389, 392, 440, 444, 445, 446, 250;
D19/26, 62; D3/247, 290, 299, 206
CPC A45C 2011/002; A45C 2011/003; A45C
2200/15; A45F 2200/0516; A45F
2200/525; G06F 1/1628; G06F 1/1632;
G06F 1/1669; G06F 2200/1633; H04B
1/3888; H04M 1/185

See application file for complete search history.

(56) **References Cited**

U.S. PATENT DOCUMENTS

D720,748 S * 1/2015 Groene D14/392
D731,485 S * 6/2015 Kim D14/392
D749,587 S * 2/2016 Lee D14/392
D750,079 S * 2/2016 Chen D14/392
D750,629 S * 3/2016 Kim D14/392

D754,659 S * 4/2016 Kim D14/392
D775,133 S * 12/2016 Akana D14/440
D781,862 S * 3/2017 Sauvage D14/440
D792,884 S * 7/2017 Nyholm D14/440
D887,416 S * 6/2020 Wu D14/440
D892,128 S * 8/2020 Chen D14/440
D922,390 S * 6/2021 Cheng D14/440
2015/0296068 A1 * 10/2015 Chin G06F 1/1626
455/575.8

FOREIGN PATENT DOCUMENTS

JP D1649708 * 12/2019

* cited by examiner

Primary Examiner — Marie D. Fast Horse

Assistant Examiner — Josiah D. Parsons

(74) *Attorney, Agent, or Firm* — Christensen, Fonder,
Dardi & Herbert PLLC

(57) **CLAIM**

We claim the ornamental design for a case for a tablet shaped device, as shown and described.

DESCRIPTION

FIG. 1 is an isometric view of a case for a tablet shaped device, the closure being in a first configuration.

FIG. 2 is a top view thereof;

FIG. 3 is a bottom view thereof;

FIG. 4 is a front view thereof;

FIG. 5 is a back view thereof;

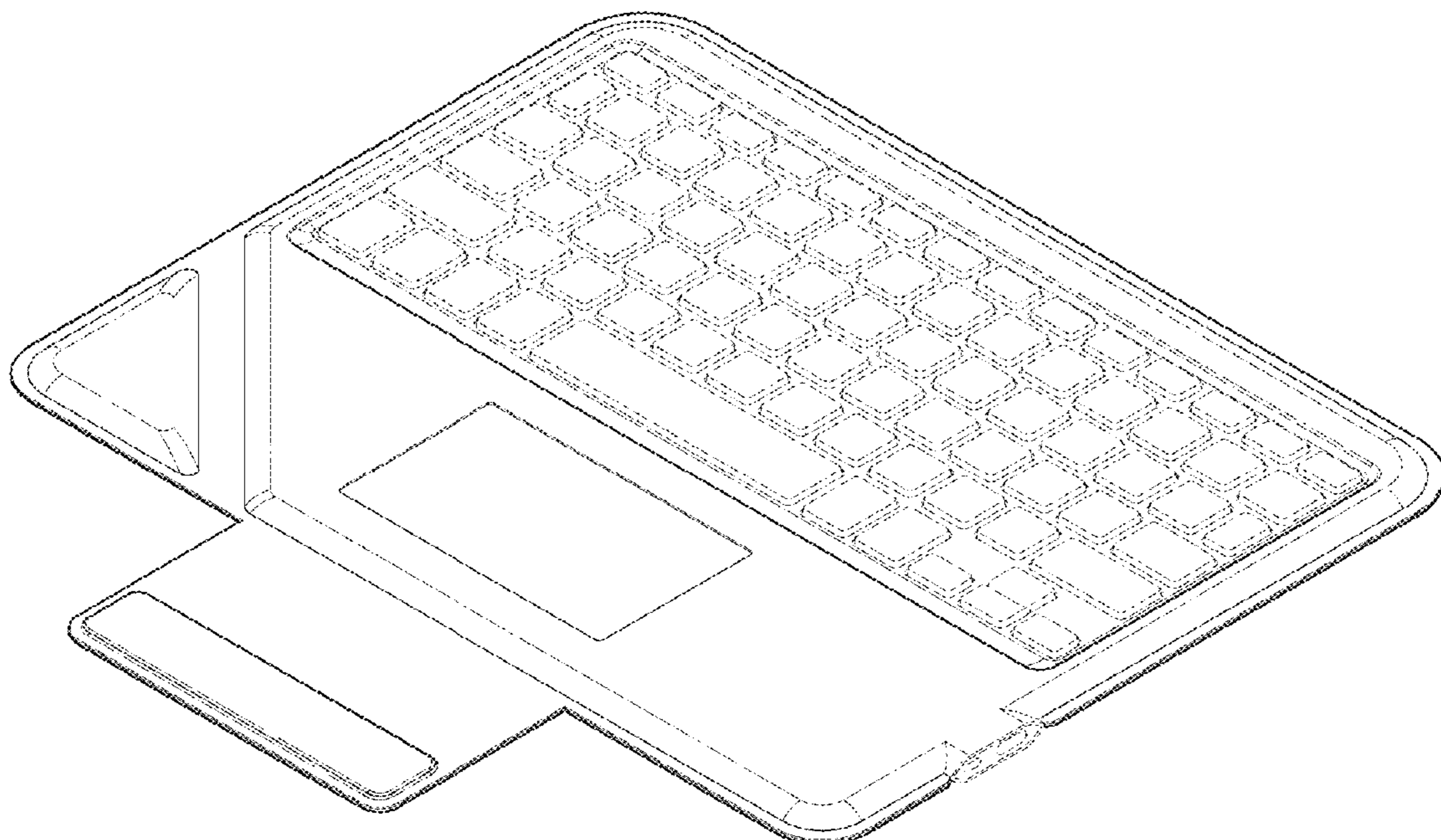
FIG. 6 is a left view thereof;

FIG. 7 is a right view thereof; and,

FIG. 8 is another isometric view thereof, shown in a second configuration.

The broken lines shown in the figures depict portions of the case for a tablet shaped device that form no part of the claimed design.

1 Claim, 6 Drawing Sheets



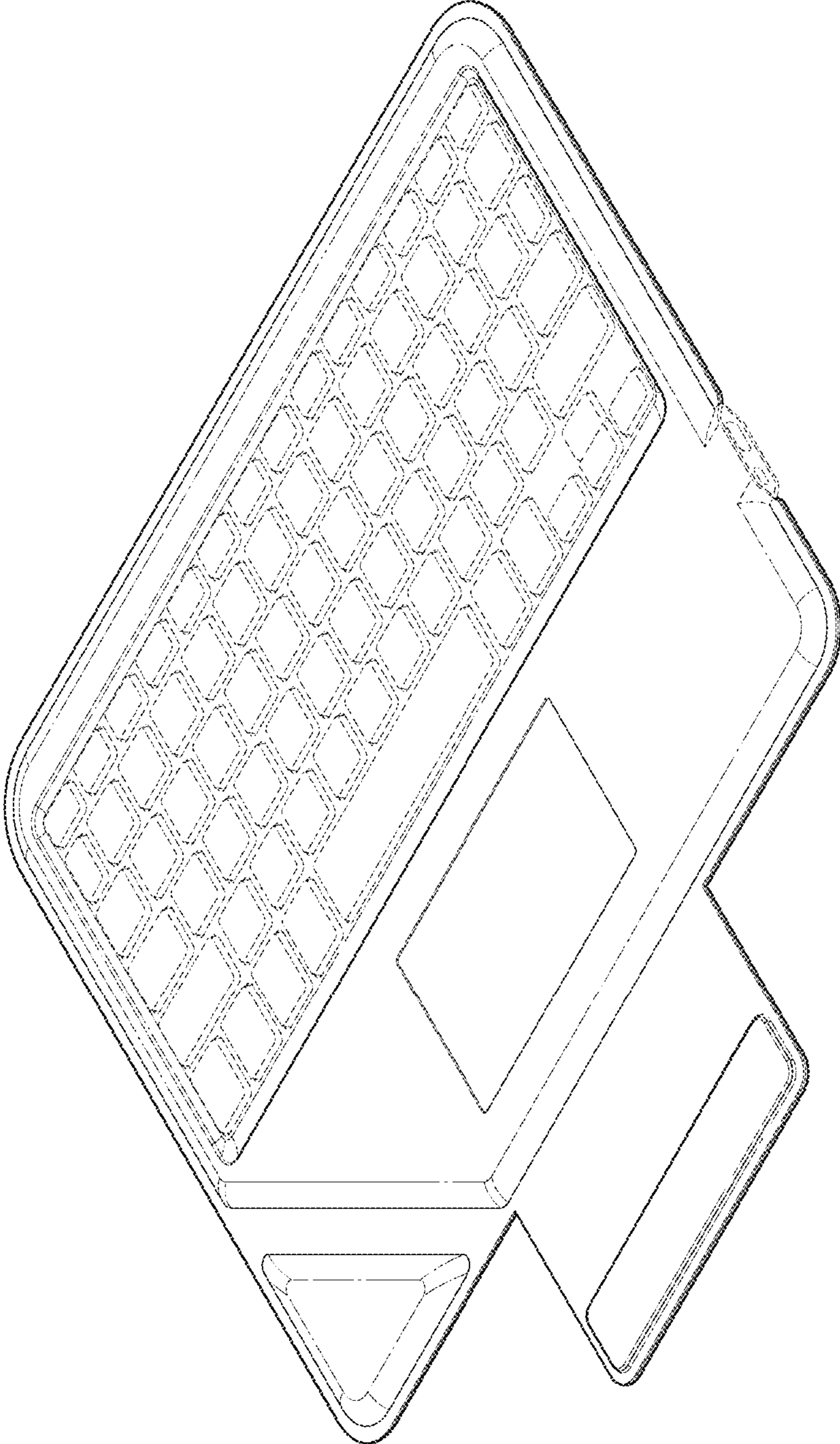


FIG. 1

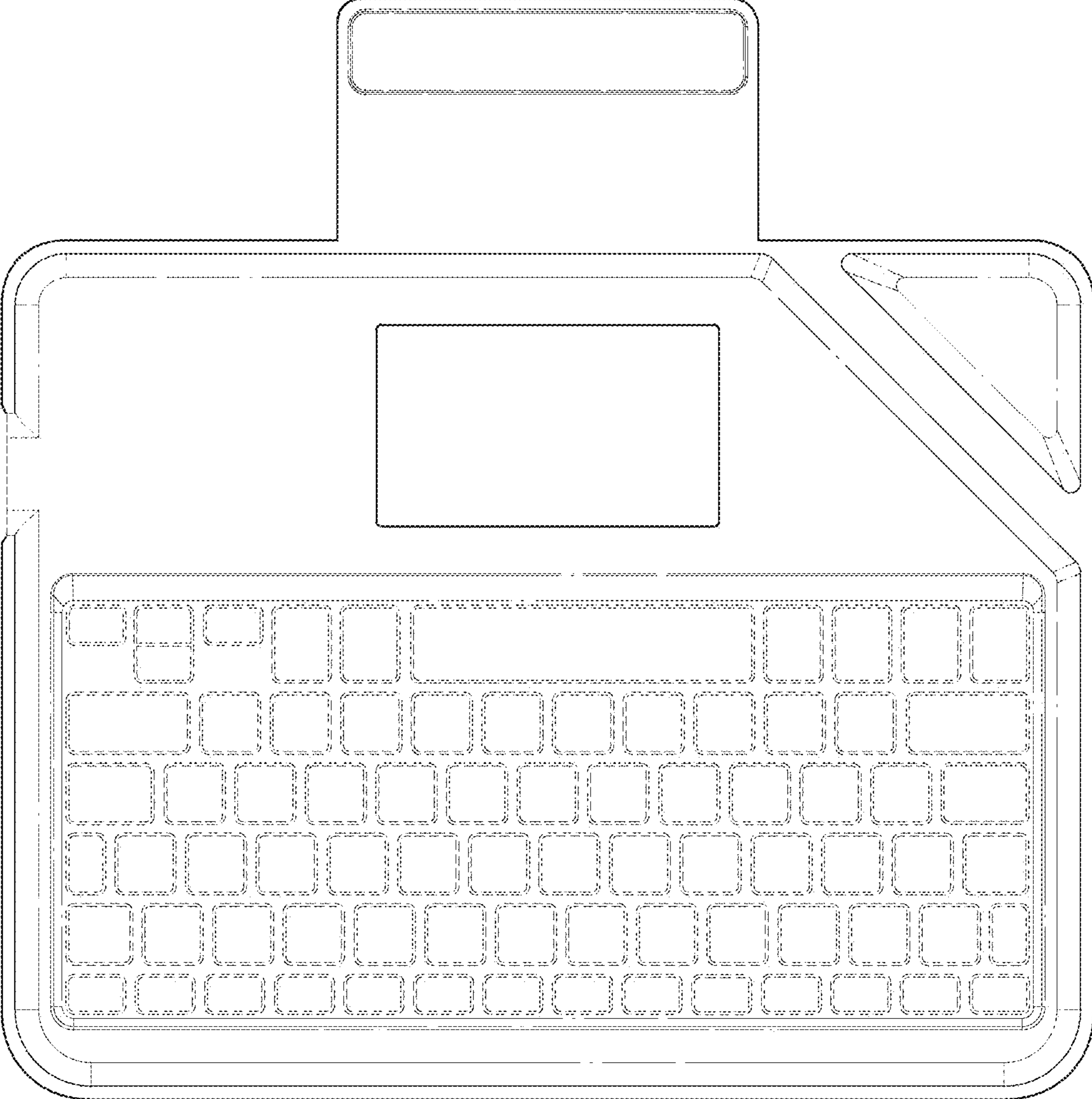


FIG. 2

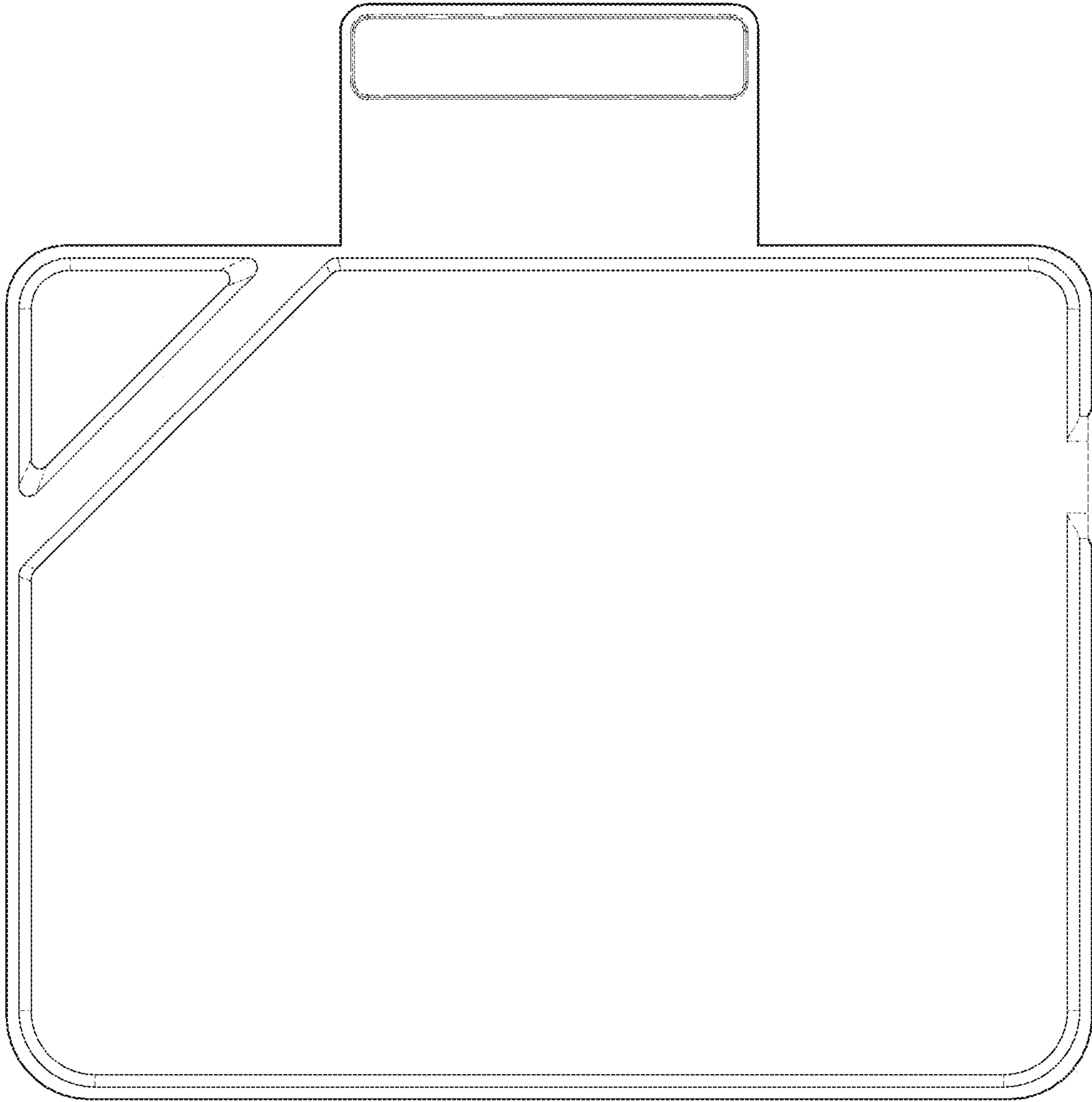


FIG. 3

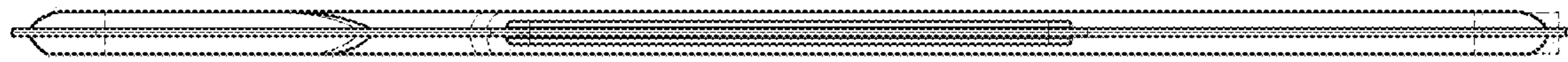


FIG. 4



FIG. 5

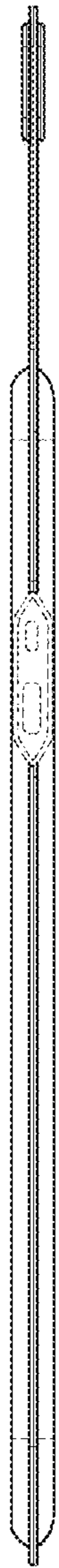


FIG. 6



FIG. 7

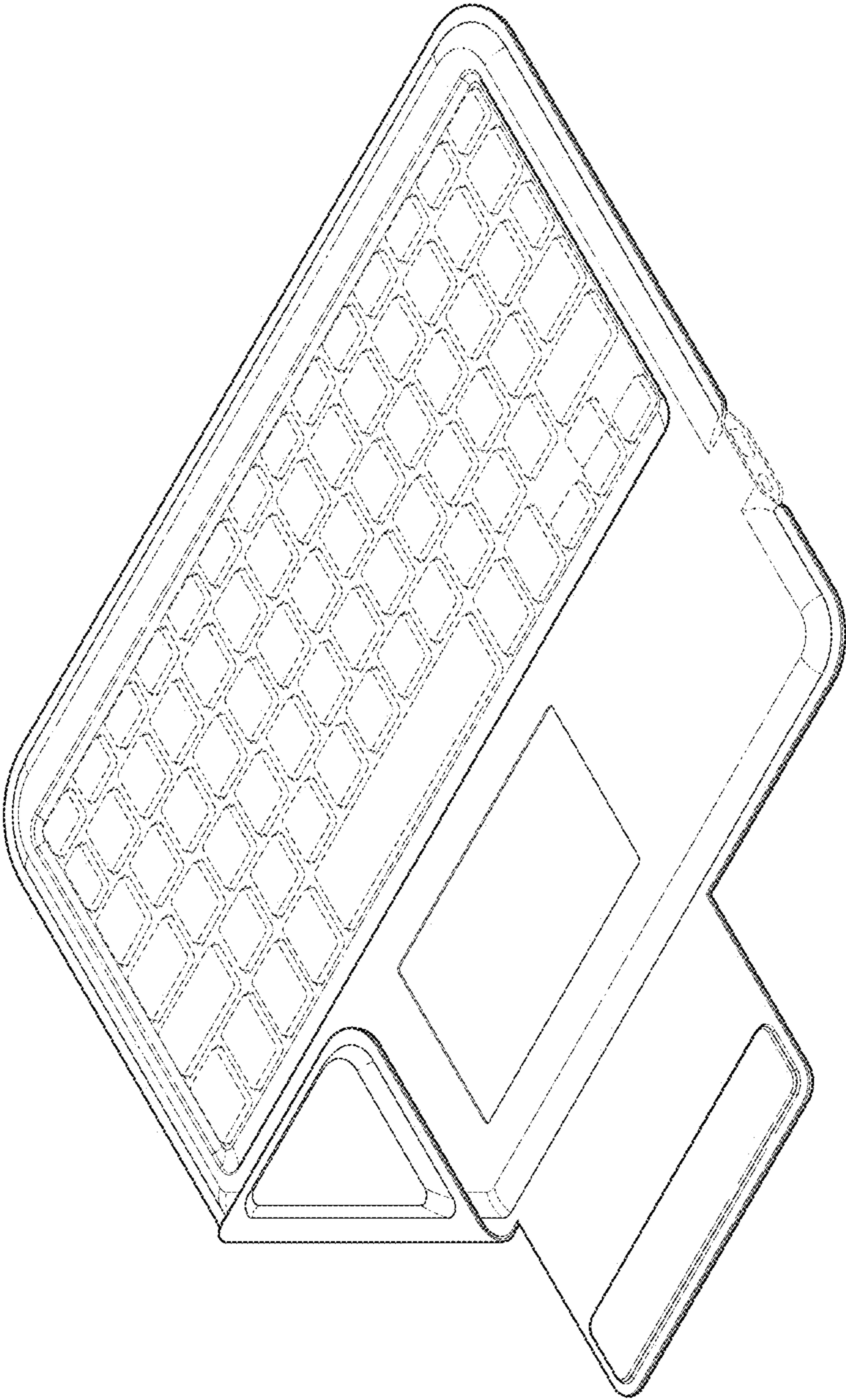


FIG. 8