



US00D989764S

(12) **United States Design Patent**  
**He et al.**

(10) **Patent No.:** **US D989,764 S**  
(45) **Date of Patent:** **\*\* Jun. 20, 2023**

(54) **SMARTWATCH**

FOREIGN PATENT DOCUMENTS

(71) Applicant: **SHENZHEN DO INTELLIGENT TECHNOLOGY CO., LTD.**, Shenzhen (CN)

CN 305902941 7/2020  
CN 306064356 9/2020

(Continued)

(72) Inventors: **An He**, Shenzhen (CN); **Peng Li**, Shenzhen (CN)

OTHER PUBLICATIONS

(73) Assignee: **SHENZHEN DO INTELLIGENT TECHNOLOGY CO., LTD.**

Amazon, Fitpolo Smartwatch, date first available Sep. 20, 2019, (online) URL: <https://www.amazon.com/Fitpolo-Waterproof-Monitoring-Pedometer-Activity/dp/B081F45X8N?th=1> (Year: 2019).\*

(Continued)

(\*\*) Term: **15 Years**

*Primary Examiner* — George D. Kirschbaum

(21) Appl. No.: **29/802,347**

*Assistant Examiner* — Antoinette Martine Suiter

(22) Filed: **Aug. 4, 2021**

(74) *Attorney, Agent, or Firm* — Perry + Currier

(30) **Foreign Application Priority Data**

(57) **CLAIM**

The ornamental design for a smartwatch, as shown and described.

Jun. 8, 2021 (CN) ..... 202130351371.5

(51) **LOC (14) Cl.** ..... **10-04**

**DESCRIPTION**

(52) **U.S. Cl.**  
USPC ..... **D14/344; D10/70**

(58) **Field of Classification Search**  
USPC ..... D10/38, 32; D11/3, 5, 94, 12; D24/167, D24/186

CPC ..... G06F 1/163; G06F 3/016; G08B 21/24  
See application file for complete search history.

(56) **References Cited**

U.S. PATENT DOCUMENTS

D719,123 S \* 12/2014 Park ..... D14/344  
D737,157 S \* 8/2015 Akana ..... D10/70  
D771,035 S \* 11/2016 Akana ..... D14/344  
D771,036 S \* 11/2016 Akana ..... D14/344  
D802,587 S \* 11/2017 Lee ..... D14/344  
D807,765 S \* 1/2018 Akana ..... D10/70  
D839,121 S \* 1/2019 Liu ..... D11/3  
D843,864 S \* 3/2019 Vandenbussche ..... D10/70

(Continued)

FIG. 1 is a front, right and top side perspective view of a smartwatch showing our new design;

FIG. 2 is a rear, left and bottom side perspective view thereof;

FIG. 3 is a front elevation view thereof;

FIG. 4 is a rear elevation view thereof;

FIG. 5 is a left side elevation view thereof;

FIG. 6 is a right side elevation view thereof;

FIG. 7 is a top plan view thereof;

FIG. 8 is a bottom plan view thereof;

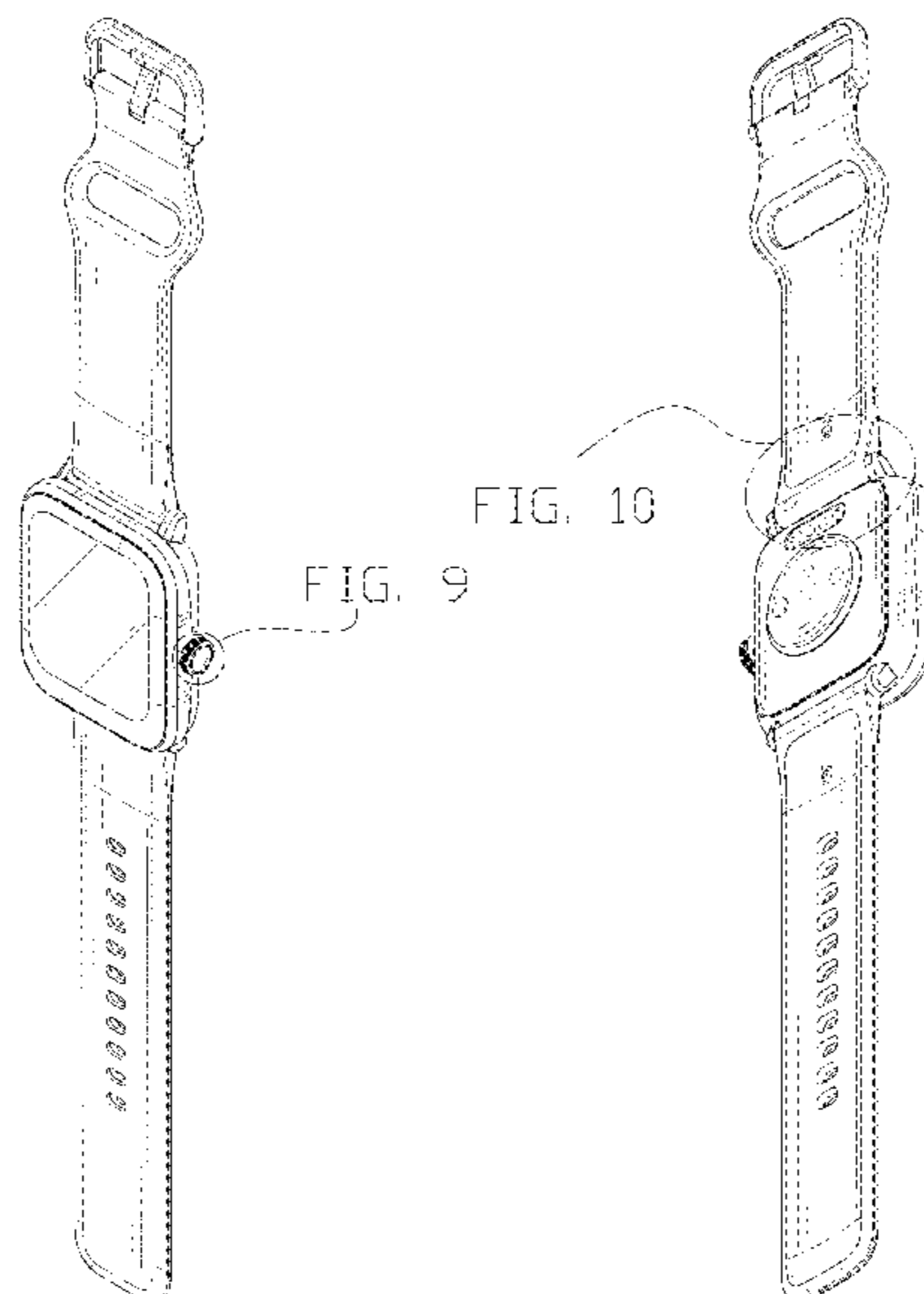
FIG. 9 is a partial enlarged view of FIG. 1; and,

FIG. 10 is a partial enlarged view of FIG. 2.

The dash-dash broken lines represent unclaimed subject matter of the smartwatch and form no part of the claimed design.

The dot-dash broken lines disclose enlarged views of the smartwatch that form no part of the claimed design.

**1 Claim, 10 Drawing Sheets**



(56)

References Cited

U.S. PATENT DOCUMENTS

D854,432 S \* 7/2019 Akana ..... D10/70  
 D858,515 S \* 9/2019 Akana ..... D14/344  
 D876,244 S \* 2/2020 Park ..... D10/32  
 D889,459 S \* 7/2020 Zhang ..... D14/344  
 D900,809 S \* 11/2020 Gao ..... D14/344  
 D900,810 S \* 11/2020 Ke ..... D14/344  
 D901,321 S \* 11/2020 Riot ..... D14/344  
 D901,493 S \* 11/2020 Gao ..... D14/344  
 D909,225 S \* 2/2021 Riot ..... D14/344  
 D909,369 S 2/2021 Wu  
 D910,011 S 2/2021 Vandebussche et al.  
 D912,665 S \* 3/2021 Zhang ..... D14/344  
 D914,678 S \* 3/2021 Zheng ..... D14/344  
 D915,398 S \* 4/2021 Yu ..... D14/344  
 D916,700 S \* 4/2021 Li ..... D14/344  
 D922,378 S \* 6/2021 Lin ..... D14/344  
 D923,003 S \* 6/2021 Lin ..... D14/344  
 D928,148 S \* 8/2021 Wu ..... D14/344  
 D929,989 S \* 9/2021 Han ..... D14/344  
 D933,497 S \* 10/2021 Panneer Selvam ..... D14/344  
 D934,860 S \* 11/2021 King ..... D14/344  
 D940,582 S \* 1/2022 Akana ..... D11/3  
 D940,706 S \* 1/2022 Wu ..... D14/344  
 D946,446 S \* 3/2022 Zheng ..... D11/3  
 D947,183 S \* 3/2022 Wu ..... D14/344

D949,345 S \* 4/2022 Miryazdi ..... D24/186  
 D953,323 S \* 5/2022 Akana ..... D14/344  
 2021/0294881 A1\* 9/2021 Moreno ..... H04W 12/06

FOREIGN PATENT DOCUMENTS

CN	306202429	12/2020
CN	306853942	9/2021
EM	006953147-0001	10/2019
EM	008368203-0001	1/2021
EM	008641930-0001	8/2021
GB	6084785	3/2020
GB	6104107	10/2020
GB	6105422	11/2020
GB	6150035	7/2021

OTHER PUBLICATIONS

Amazon, Smaate Slim Replacement Band, date first available Mar. 20, 2021, (online)URL: [https://www.amazon.com/smaate-Replacement-Compatible-Veryfitpro-SS205SM7BGP/dp/B0995NJVN3/ref=sr\\_1\\_12? \(Year: 2021\).](https://www.amazon.com/smaate-Replacement-Compatible-Veryfitpro-SS205SM7BGP/dp/B0995NJVN3/ref=sr_1_12? (Year: 2021).)\*  
 Amazfit, "Amazfit Bip U Pro Smart Watch." Exodus Gadgets, Date unknown, downloaded on Dec. 9, 2021 from URL: <https://exodusgadgets.com/product/amazfit-bip-u-pro-smart-watch/>.  
 Amazfit, "Amazfit GTS2 Mini." Exodus Gadgets, date unknown, downloaded on Dec. 10, 2021 from URL: <https://exodusgadgets.com/product/amazfit-gts2-mini/>.

\* cited by examiner

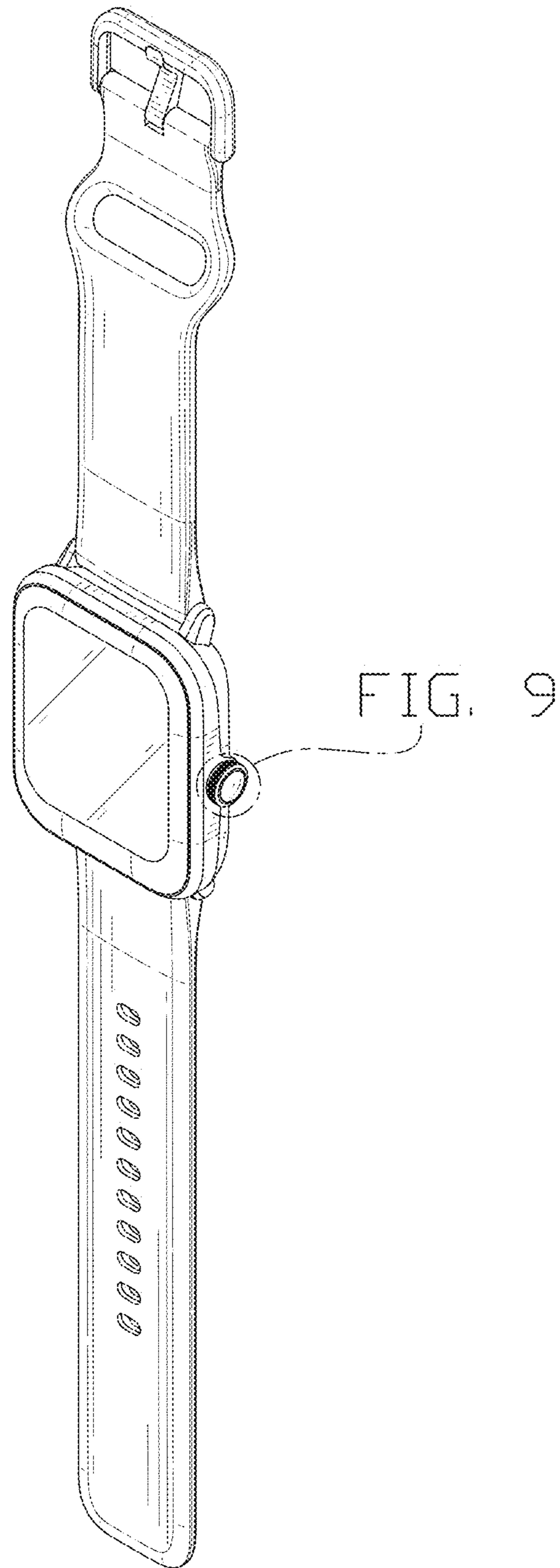


FIG. 9

FIG. 1

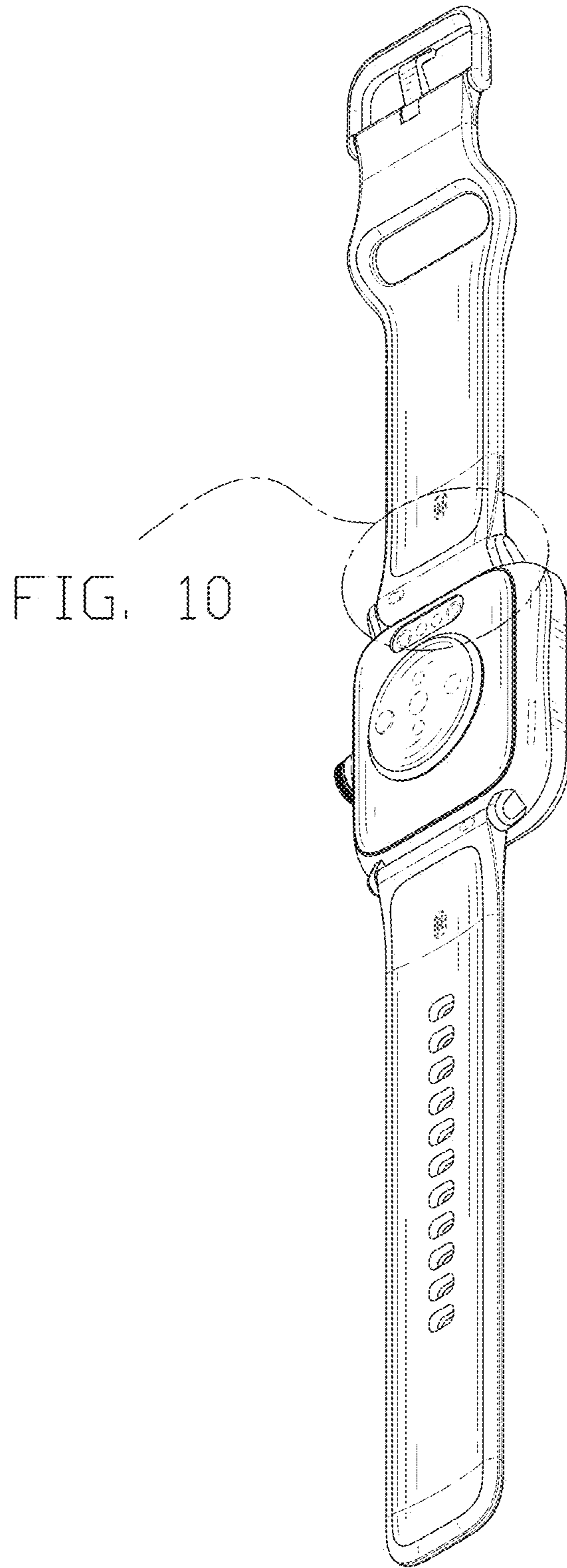


FIG. 10

FIG. 2

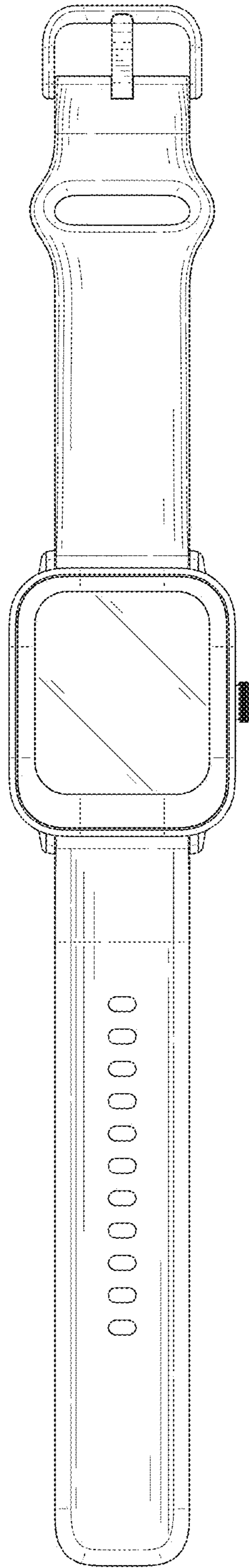


FIG. 3

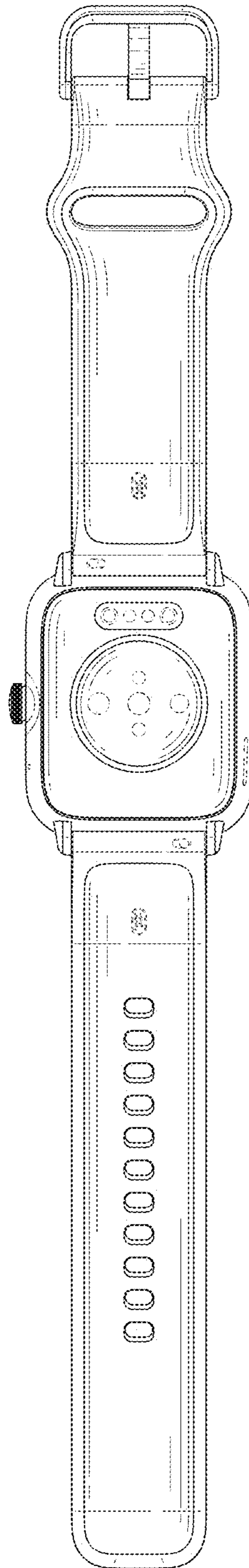


FIG. 4

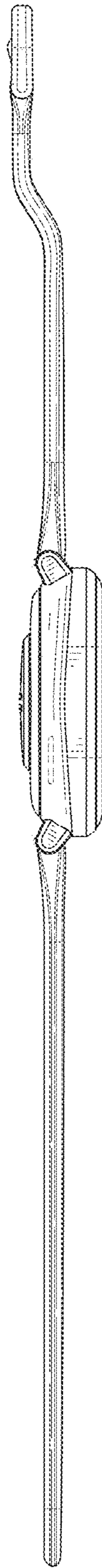


FIG. 5

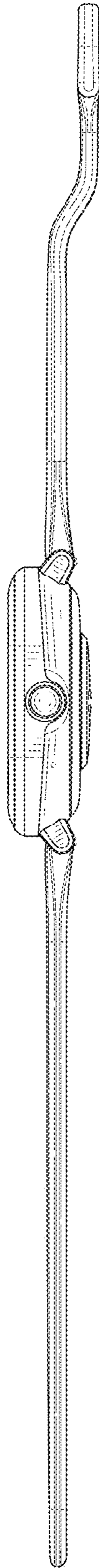


FIG. 6



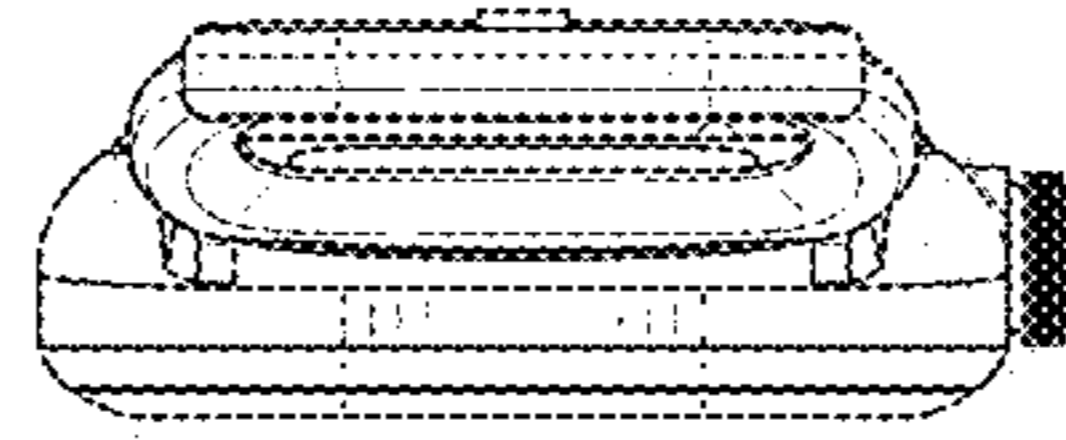


FIG. 7

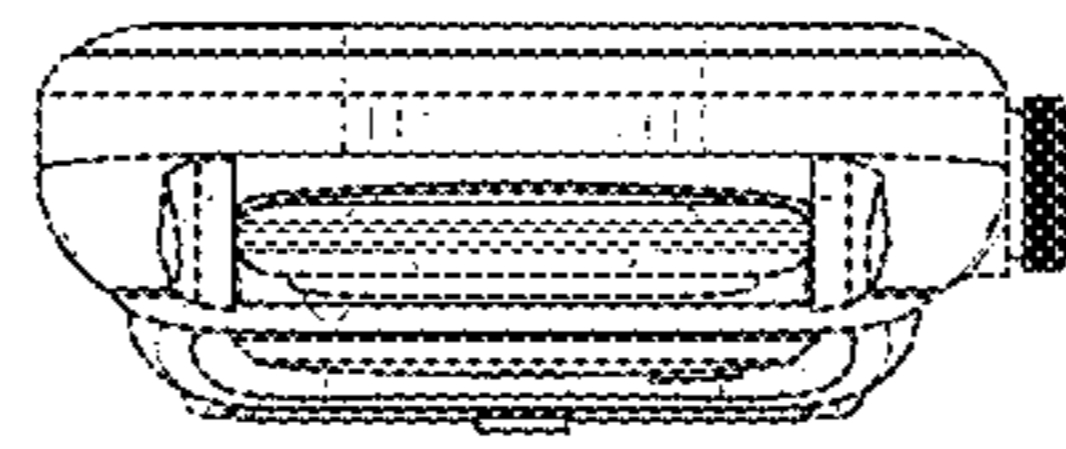


FIG. 8

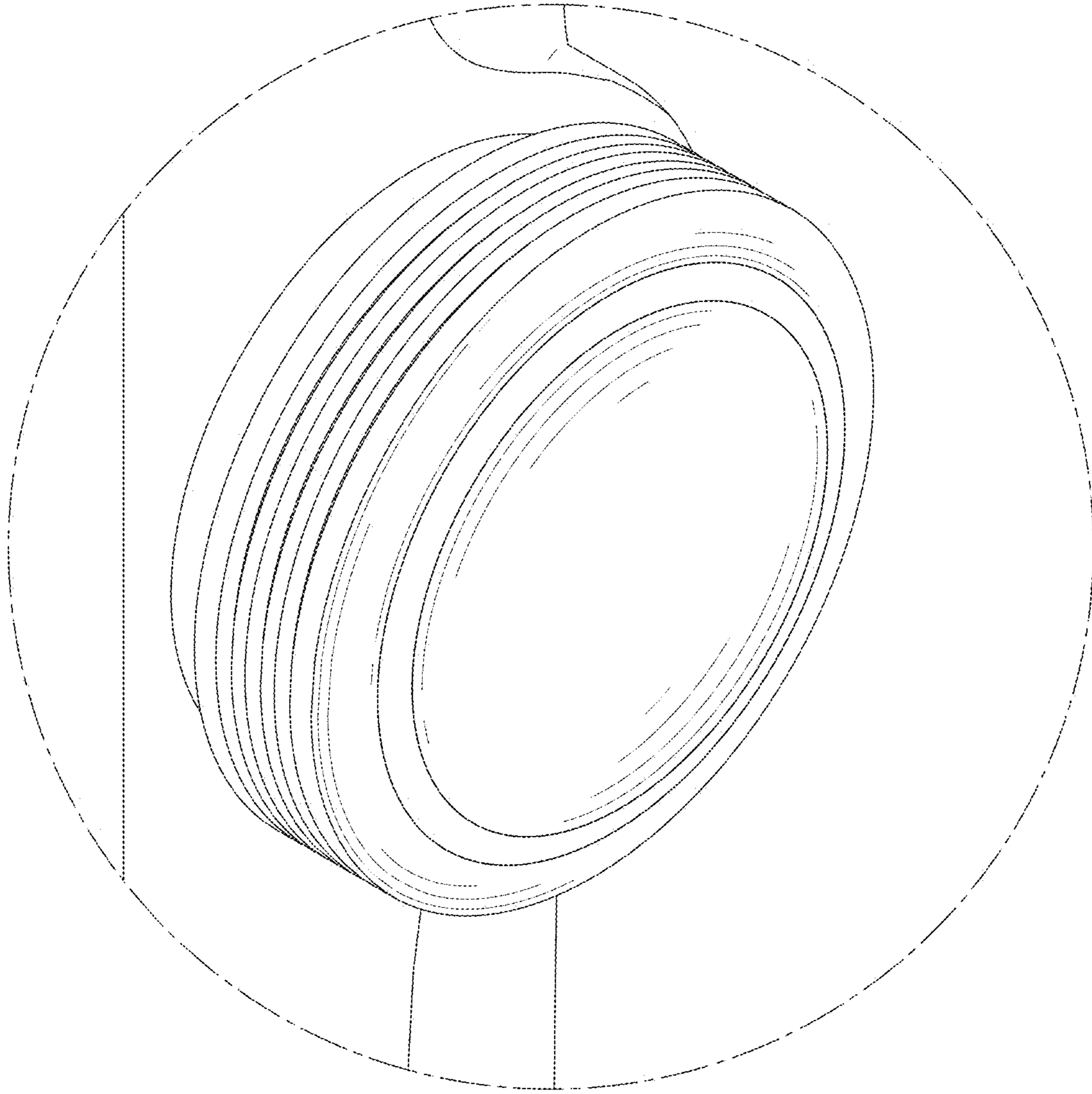


FIG. 9

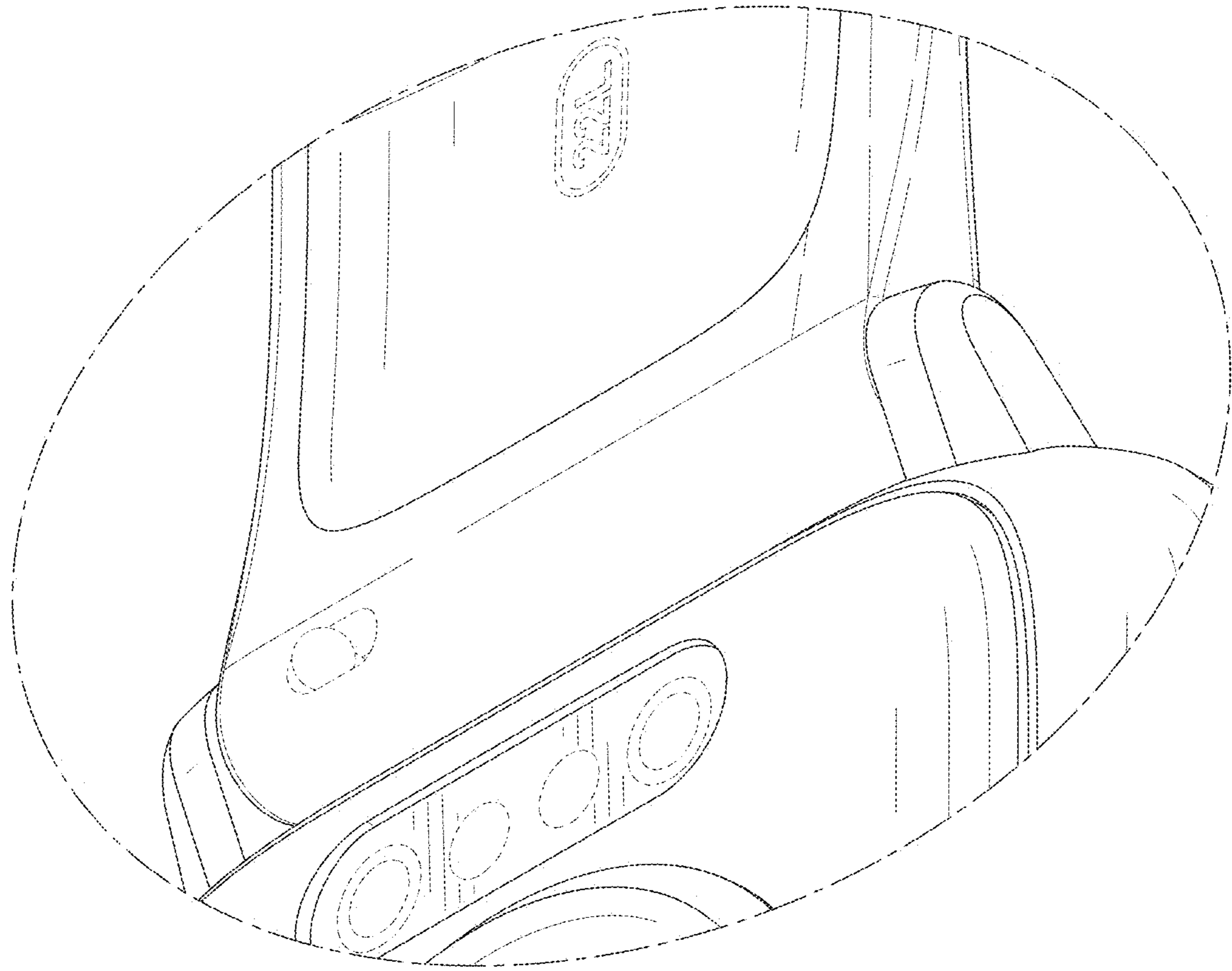


FIG. 10