



US00D989761S

(12) **United States Design Patent** (10) **Patent No.:** **US D989,761 S**
Pereira et al. (45) **Date of Patent:** **** Jun. 20, 2023**

(54) **COMMUNICATION DEVICE**
(71) Applicant: **Motorola Mobility LLC**, Chicago, IL (US)

D572,227 S 7/2008 Koon et al.
D581,388 S 11/2008 Stillerman
D603,364 S 11/2009 Song et al.
(Continued)

(72) Inventors: **Poliana Feliconio Pereira**, San Paulo (BR); **Mark Finney**, Chicago, IL (US); **Joel Soto**, Maywood, IL (US)

FOREIGN PATENT DOCUMENTS

EM 005908605-001 12/2018
EM 005908605-002 12/2018

(73) Assignee: **Motorola Mobility LLC**, Chicago, IL (US)

OTHER PUBLICATIONS

(**) Term: **15 Years**

The inside story of how the Motorola Razr was made, www.businessinsider.com, Aug. 17, 2017. <https://www.businessinsider.com/the-inside-story-of-how-the-motorola-razr-was-made-2017-8> (Year: 2017).*

(21) Appl. No.: **29/803,644**

(22) Filed: **Aug. 13, 2021**

(Continued)

Related U.S. Application Data

(62) Division of application No. 29/647,086, filed on May 9, 2018, now Pat. No. Des. 938,929.

(51) **LOC (14) Cl.** **14-03**

(52) **U.S. Cl.**
USPC **D14/138 AB**

(58) **Field of Classification Search**
USPC D14/138 R, 138 G, 138 AA, 138 AB, D14/138 AC, 138 AD, 496, 248, 203.1, D14/203.3, 203.4, 203.7, 388, 389, 439, D14/426, 348, 342, 341; D13/103, 107; D21/329; D10/50
CPC G06F 3/041; G06F 3/0412; G06F 3/0488; G06F 3/04883; G06F 1/1613; G06F 1/1692; G06F 1/1626; G06F 2200/1633; A63H 33/3016

See application file for complete search history.

(56) **References Cited**

U.S. PATENT DOCUMENTS

D500,750 S 1/2005 Arnholt et al.
D561,147 S 2/2008 Finney et al.
D567,796 S 4/2008 Jeong et al.

Primary Examiner — Llorelys Martinez

Assistant Examiner — Kwabena A. Ankobiah

(74) *Attorney, Agent, or Firm* — Kunzler Bean & Adamson

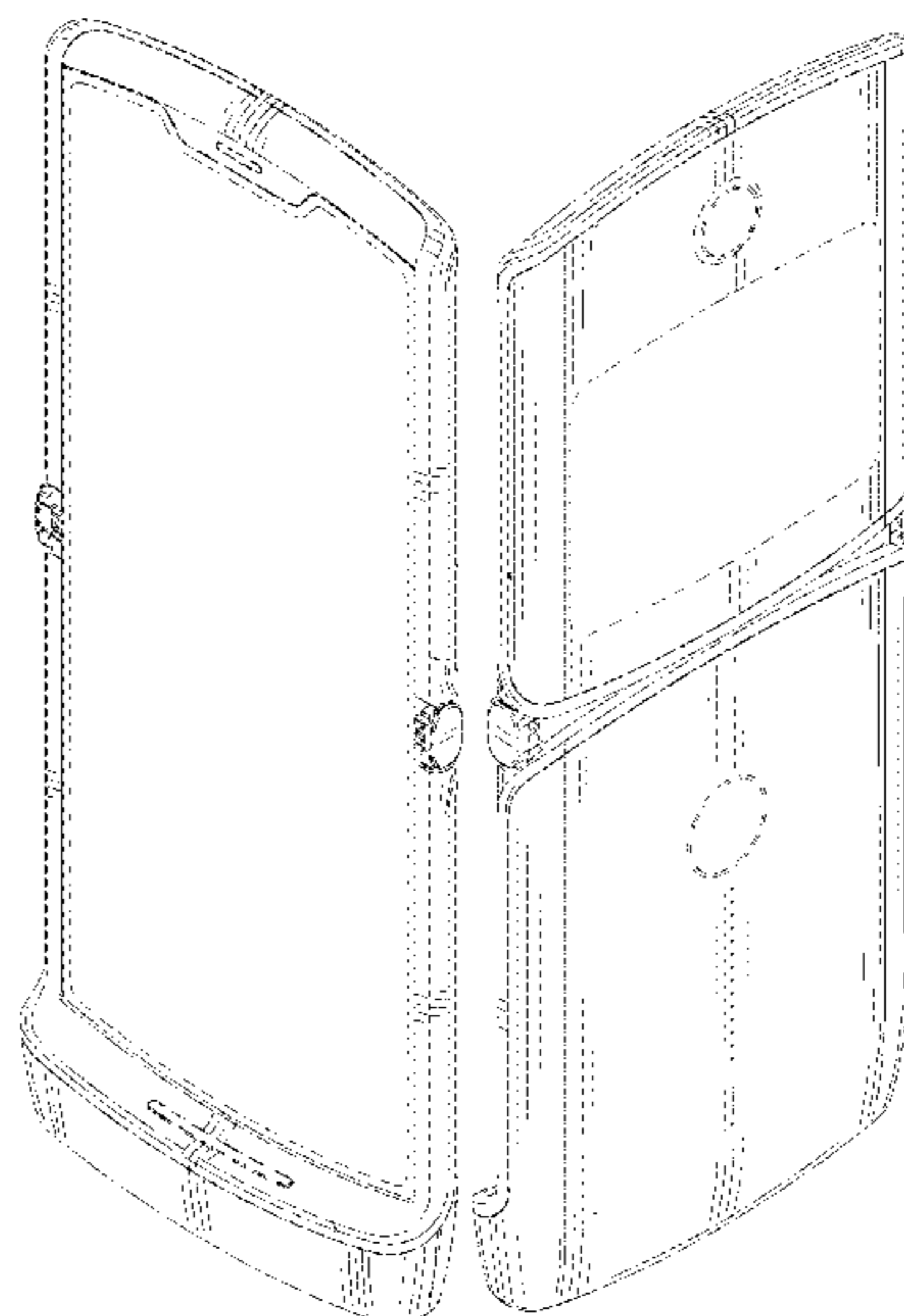
(57) **CLAIM**

The ornamental design for a communication device, as shown and described.

DESCRIPTION

FIG. 1 is a front perspective view of a communication device, showing our new design;
FIG. 2 is a rear perspective view of the communication device;
FIG. 3 is a front view of the communication device;
FIG. 4 is a rear view of the communication device;
FIG. 5 is a first side view of the communication device;
FIG. 6 is a second side view of the communication device;
FIG. 7 is a top view of the communication device; and, FIG. 8 is a bottom view of the communication device.
The broken lines shown in FIGS. 1-8 illustrate portions of the communication device that form no part of the claimed design.

1 Claim, 6 Drawing Sheets



(56)

References Cited

U.S. PATENT DOCUMENTS

D608,748 S * 1/2010 Jeon D14/138 AB
 D615,059 S 5/2010 Price et al.
 D627,326 S 11/2010 Ardinghi et al.
 D630,178 S 1/2011 Lee et al.
 D630,180 S 1/2011 Kim et al.
 D636,754 S 4/2011 Veiga et al.
 D641,001 S 7/2011 Finney et al.
 D643,397 S 8/2011 Ardinghi et al.
 D646,247 S 10/2011 Lee et al.
 D648,309 S 11/2011 Choi et al.
 D648,694 S 11/2011 Wun et al.
 8,060,157 B2 11/2011 Bell et al.
 D657,766 S * 4/2012 Lee H01Q 5/371
 D14/138 AB
 D665,371 S 8/2012 Finney et al.
 D665,762 S 8/2012 Fujimura et al.
 D666,986 S * 9/2012 Park D14/138 AB
 D666,987 S * 9/2012 Park D14/138 AB
 D669,876 S * 10/2012 Luo D14/138 AB
 D696,665 S 12/2013 Nakano et al.
 D707,196 S 6/2014 Meneses et al.
 D749,575 S 2/2016 Park et al.
 D776,632 S 1/2017 Kwak et al.
 D782,436 S 3/2017 Kwak et al.
 D788,773 S 6/2017 Seo et al.
 D801,944 S 11/2017 Kim et al.
 D818,981 S 5/2018 Song
 D827,604 S 9/2018 Seo et al.
 D828,318 S 9/2018 Seo et al.
 D828,319 S 9/2018 Seo et al.
 D841,612 S 2/2019 Kwon
 D875,704 S * 2/2020 Lee D14/138 AB
 D883,943 S 5/2020 Oh
 D891,426 S 7/2020 Nguyen
 D901,495 S 11/2020 Lee
 D902,167 S 11/2020 Lee et al.
 D902,168 S 11/2020 Yuan et al.
 D902,878 S 11/2020 Kim et al.
 D903,621 S 12/2020 Kim et al.
 10,886,596 B2 * 1/2021 Yang H01Q 5/371
 D910,619 S 2/2021 Lim
 D910,620 S 2/2021 Lee
 D933,056 S * 10/2021 Kwon D14/250
 D938,929 S * 12/2021 Pereira D14/138 AB
 D953,282 S * 5/2022 Song D14/138 AB
 D954,014 S * 6/2022 Song D14/138 AB
 D964,306 S * 9/2022 Gong D14/138 AB
 D964,956 S * 9/2022 Gong D14/138 AB
 D965,545 S * 10/2022 Song D14/138 AB
 D965,547 S * 10/2022 Song D14/138 AB
 2009/0303199 A1 12/2009 Cho et al.

2011/0195752 A1 8/2011 Siddiqui et al.
 2018/0049529 A1 2/2018 Buechin
 2022/0300234 A1* 9/2022 Nomiso G06F 3/1423

OTHER PUBLICATIONS

Motorola Goes Back To The Future With Razr, www.forbes.com, Jan. 21, 2019. <https://www.forbes.com/sites/simonrockman1/2019/01/21/motorola-goes-back-to-the-future-with-razr/?sh=31c482f2613c> (Year: 2019).*

A Visual History of the Motorola Razr, www.pcmag.com, Nov. 13, 2019. <https://www.pcmag.com/news/a-visual-history-of-the-motorola-razr> (Year: 2019).*

Here's what the Motorola Razr 2 might look like, www.tech.hindustantimes.com, Feb. 24, 2020. <https://tech.hindustantimes.com/tech/news/here-s-what-the-motorola-razr-2-might-look-like-story-RUvg09KKVQWMIhtHpL1CYM-18.html> (Year: 2020).*

Youtube, "Motorola Razr V4 Introduction, the Foldable Smartphone is here, The Legend Reborn!!", https://www.youtube.com/watch?v=EaS_pxjcuNA, known about as early as Mar. 30, 2018, p. 1.

Arun KS, "Motorola Razr V4 Introduction, the Foldable Smartphone is here, The Legend Reborn", Techconfigurations, Mar. 2018, pp. 1-7.

Motorola Razr 5G, announced Apr. 10, 2021 [online], [Retrieved Apr. 29, 2021] Available from internet, URL <https://www.androidauthority.com/mororola-raxr-2-1121101/>(Year 2021).

Check out this awesome Moto Razr 2019 concept, announced Feb. 1, 2019 [online], [retrieved Apr. 29, 2021], Available from internet, URL https://www.gsmarena.com/check_out_this_awesome_moto_razr_2019_concept-new-35338.php (Year 2019).

Motorola Razr 2019, announced 2020 [online], [retrieved Apr. 29, 2021] Available from internet, URL https://www.gsmarena.com/motorola_razr_2019-pictures-9630.php, (Year 2020).

Samsung Galaxy Z Flip, released 2020 [online], [retrieved Apr. 29, 2021], Available from internet, URL https://www.gsmarena.com/samsung_galaxy_z_flip-pictures-10054.php (Year 2020).

Samsung Galaxy Z Fold, announced 2020 [online], [retrieved Apr. 29, 2021], Available from internet, URL <https://www.techradar.com/news/samsung-galaxy-z-fold-2-vs-origanal-galaxy-fold-we-compare-the-foldable-phones> (Year 2020).

"Samsung i8910 P,moa JD Revoew: the smartest feature phone around", [online], [retrieved Apr. 29, 2021] Available from internet, URL https://www.mobilementalist.com/2010/01/2021_samsung-18910-omnia-hd-review-the-smartest-feature-phone-around/ (Yeat 2010).

"LG KE970 Shine photos", annoued 2007, [online], retrieved Nov. 15, 2021], Available from internet, URL https://www.gsmarena.com/lg_ke970_shine-1829.php Year 2007).

* cited by examiner

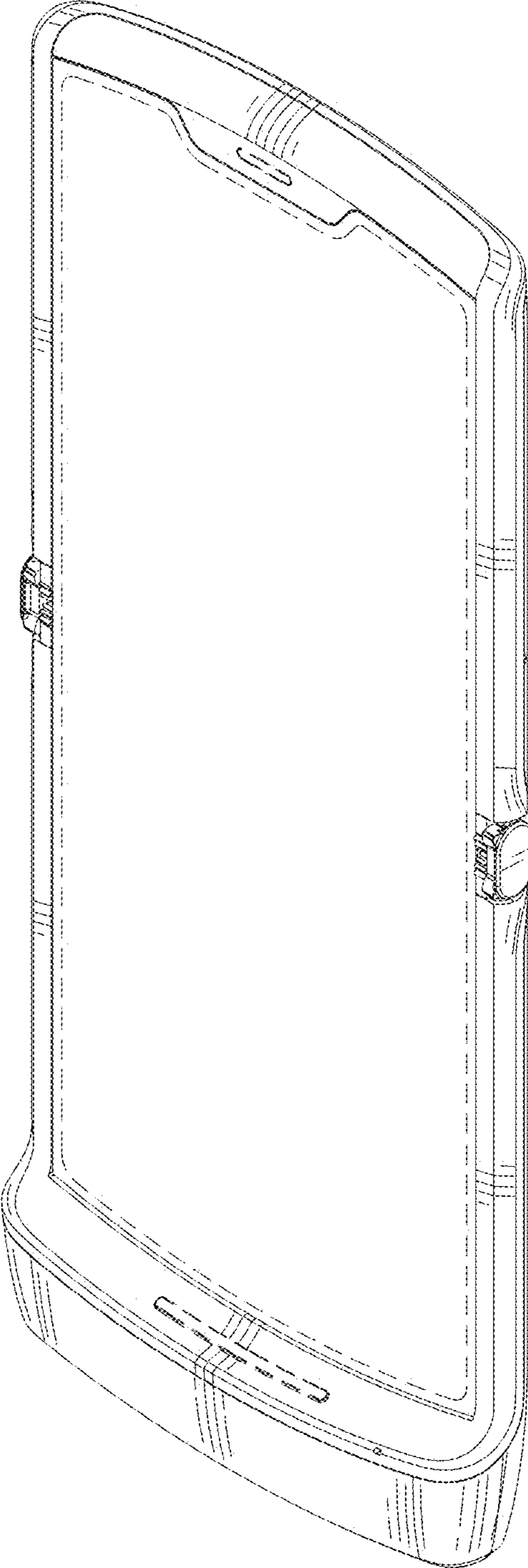


Fig. 1

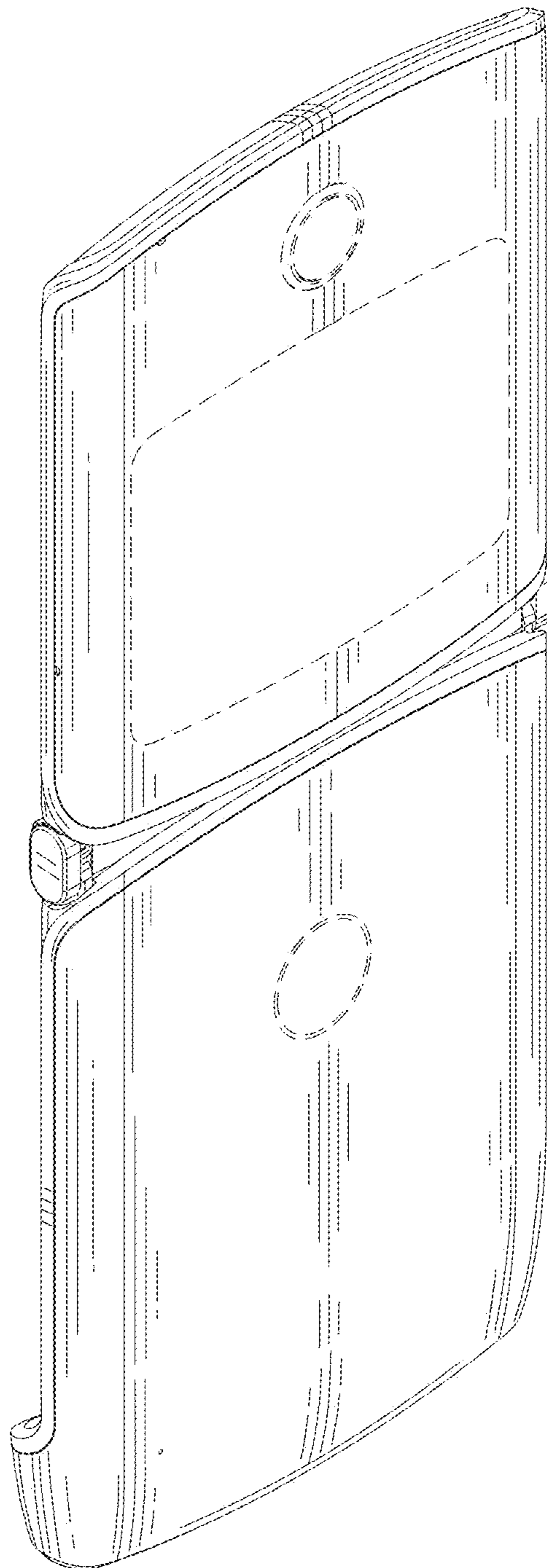


Fig. 2

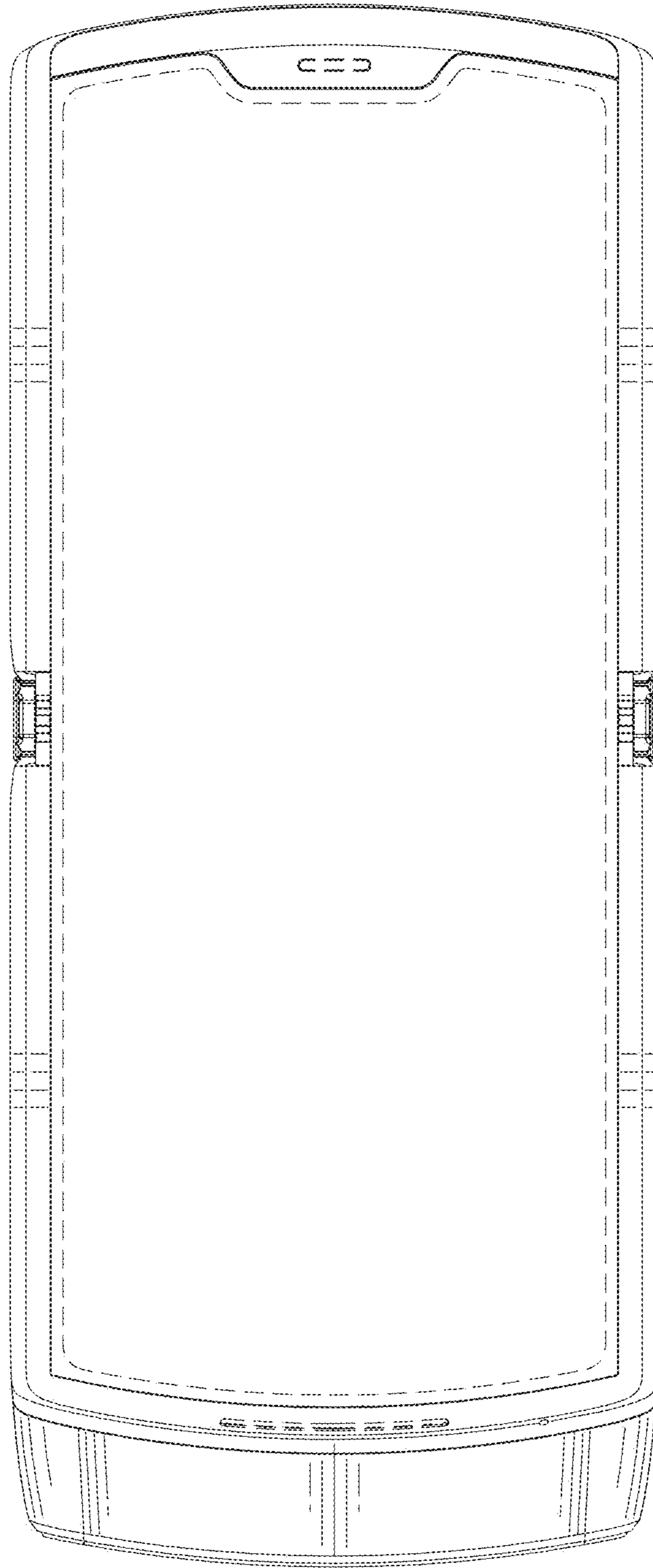


Fig. 3

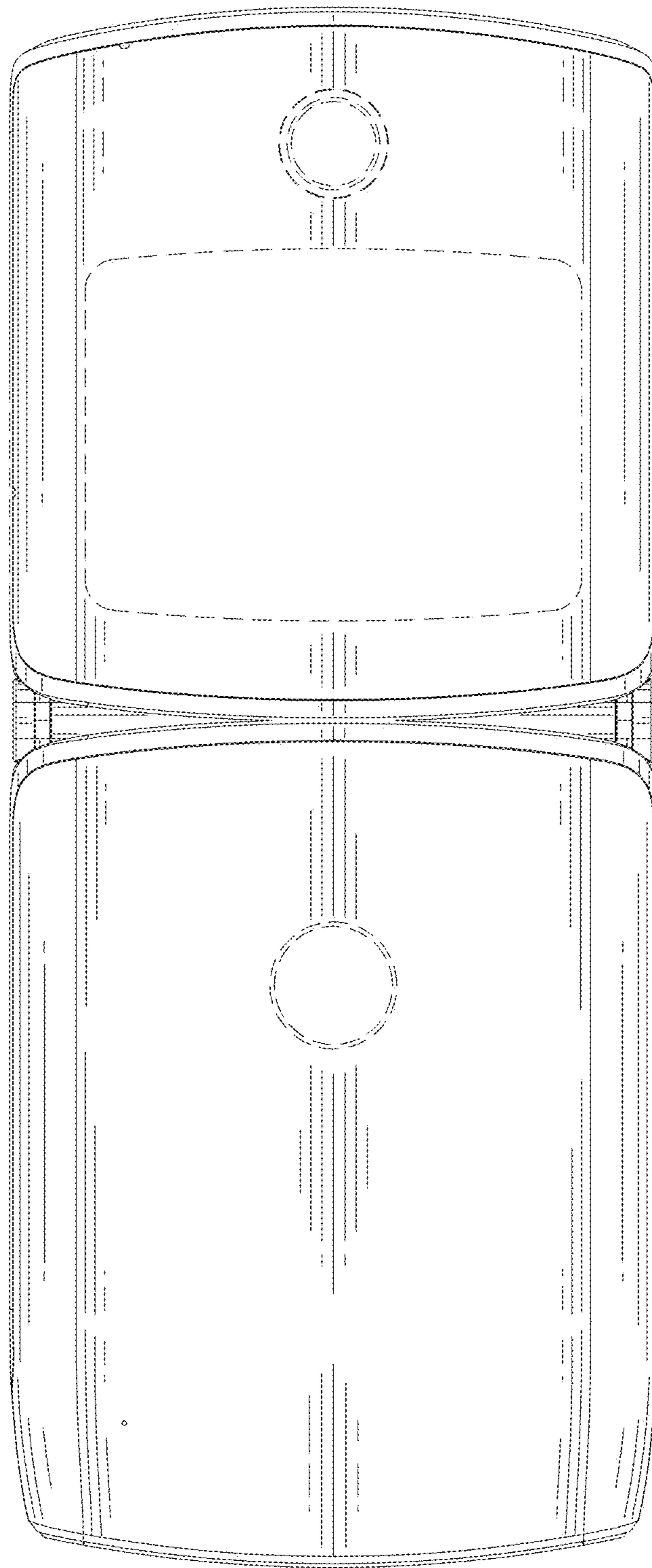


Fig. 4

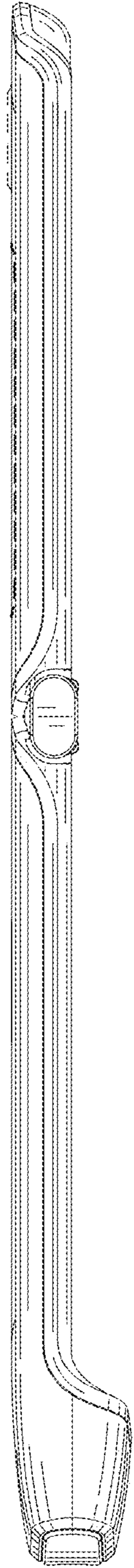


Fig. 5

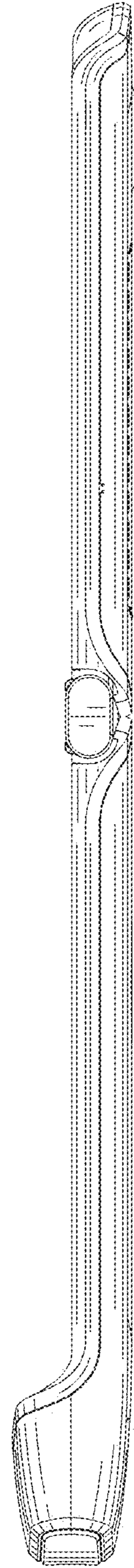


Fig. 6

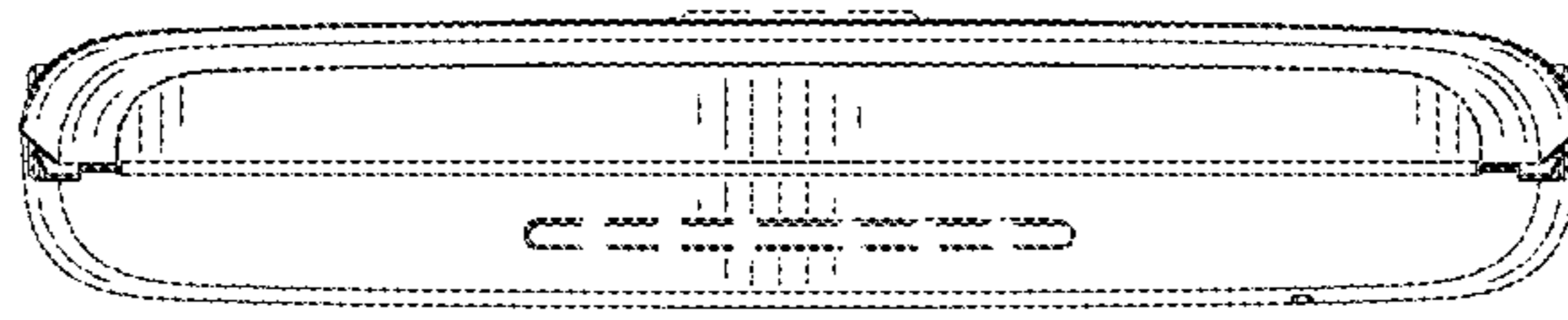


Fig. 7

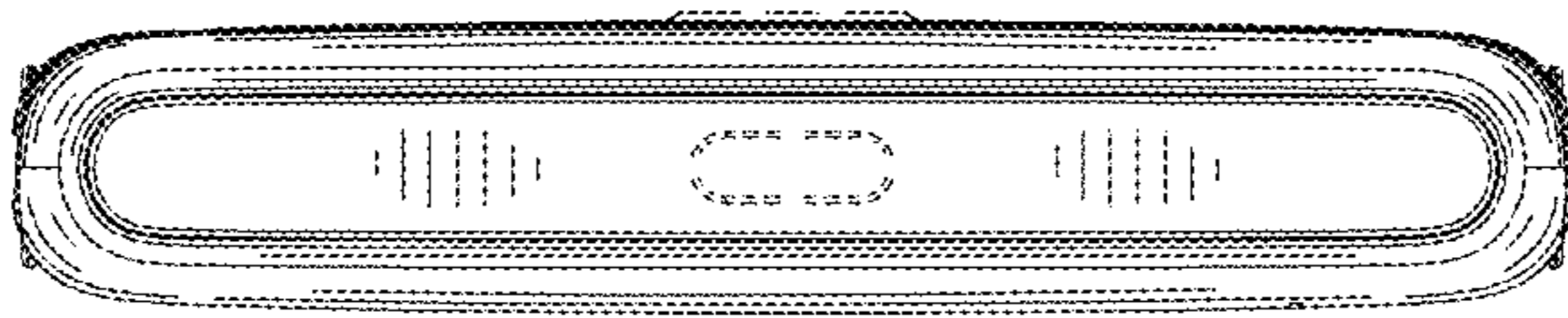


Fig. 8