

(56)

References Cited

FOREIGN PATENT DOCUMENTS

KR 300868403.0000 * 8/2016
KR 3020200000201 * 2/2020

OTHER PUBLICATIONS

USB Charge Mount-iMESTOU, Aug. 1, 2020 [online], retrieved Feb. 8, 2023, retrieved from the internet URL: <https://www.amazon.ca/dp/B08C7WR7V2/ref=sspa_dk_detail_8?> (Year: 2020).*

* cited by examiner

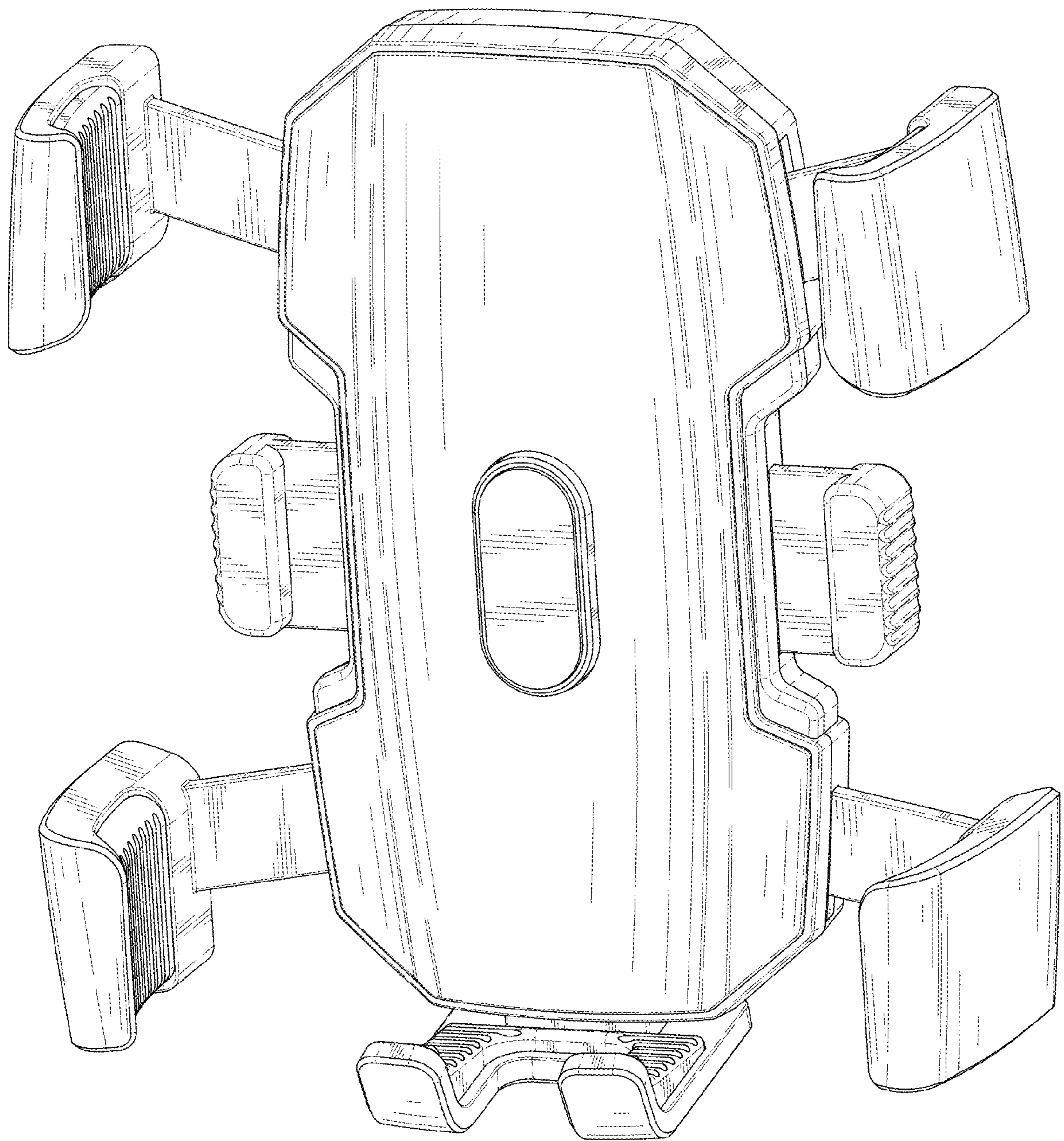


FIG. 1

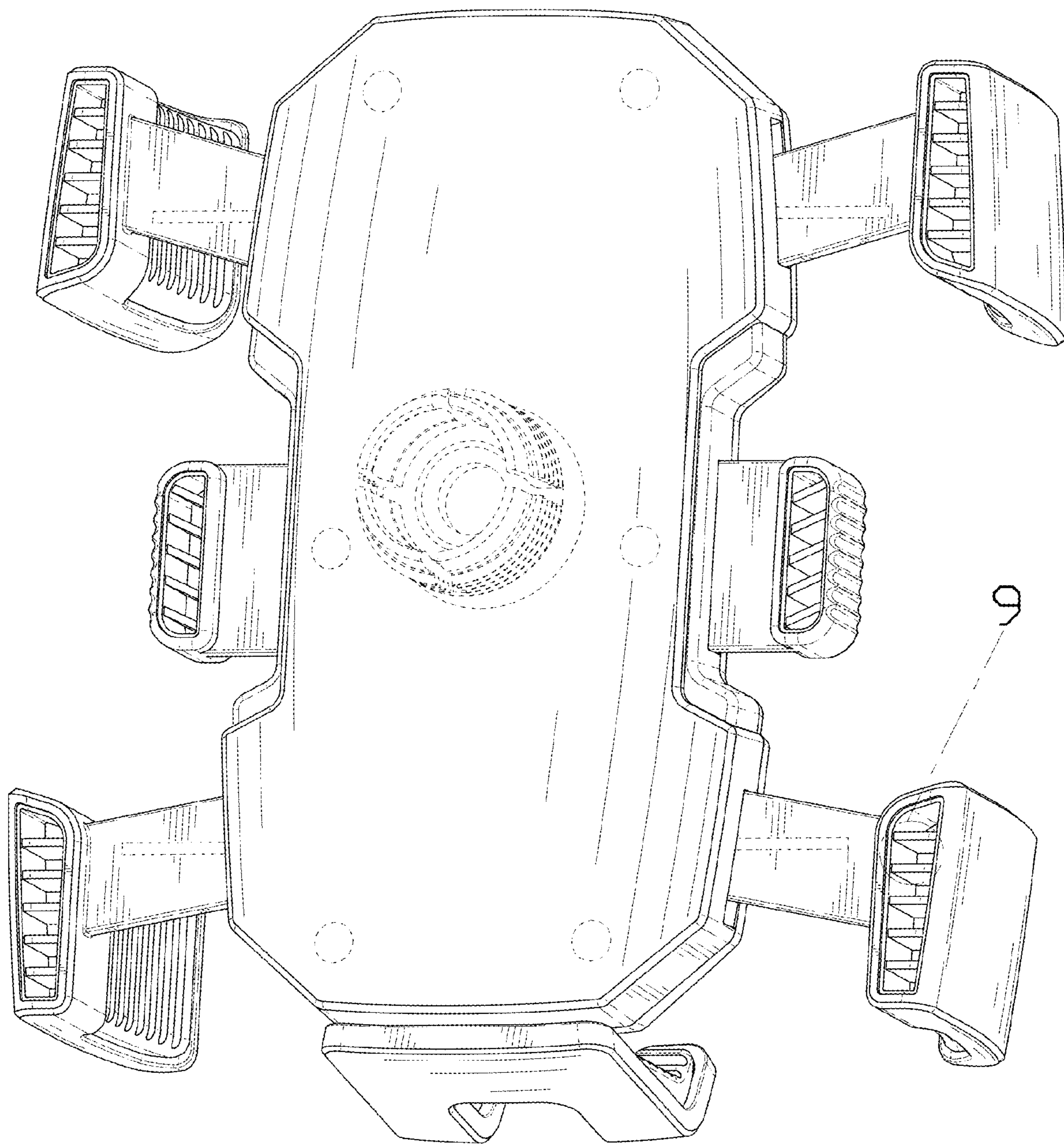


FIG. 2

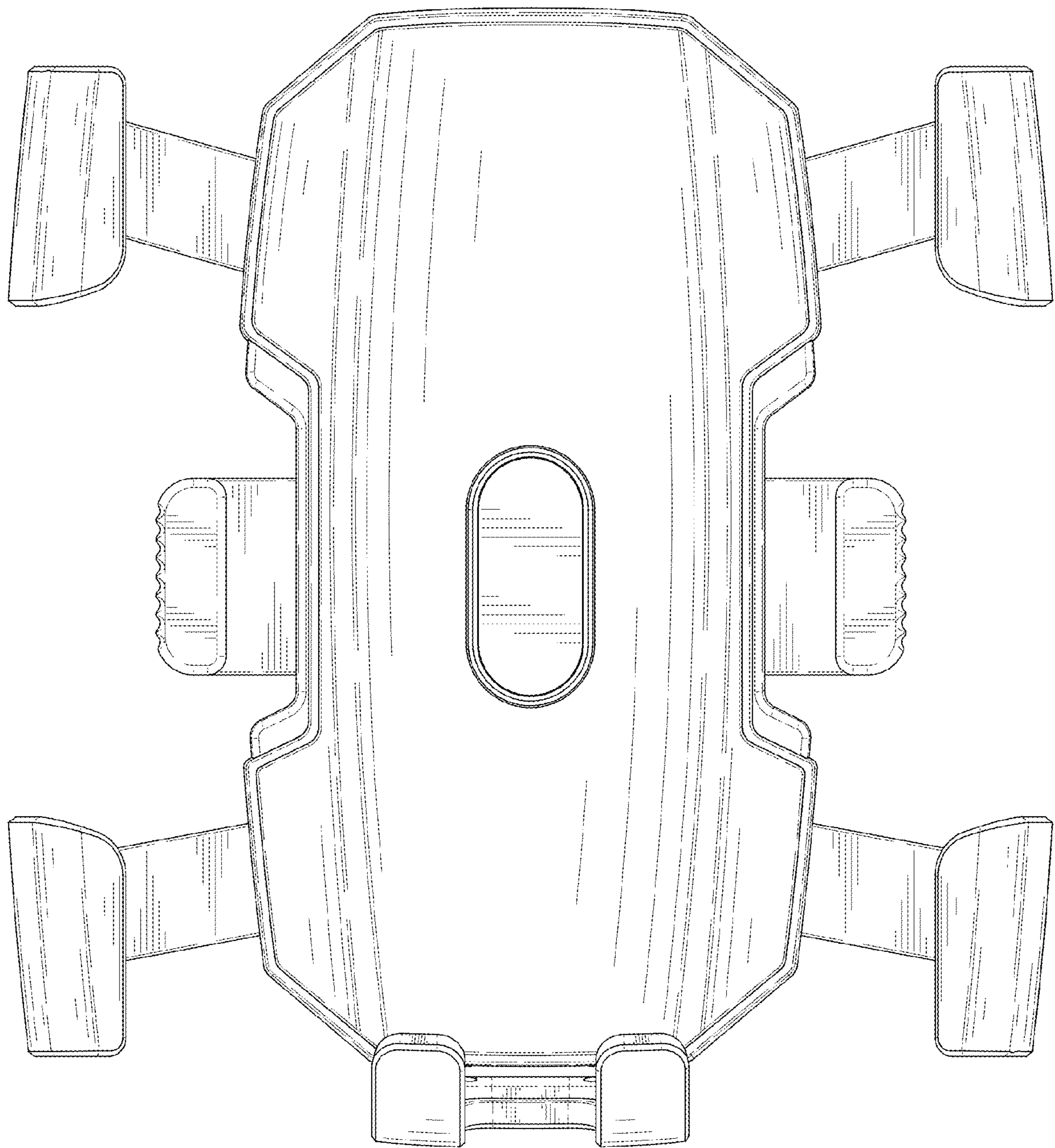


FIG. 3

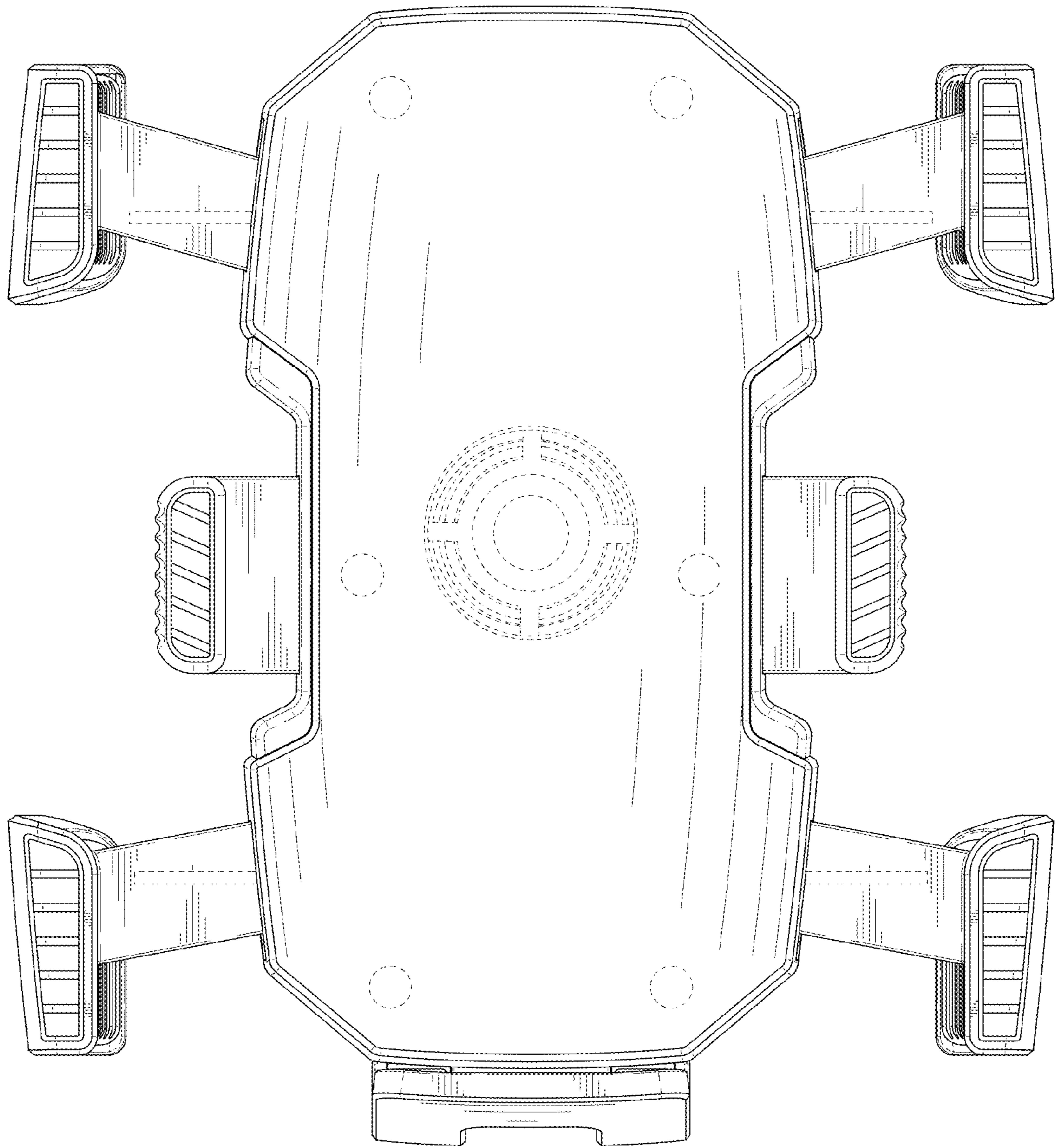


FIG. 4

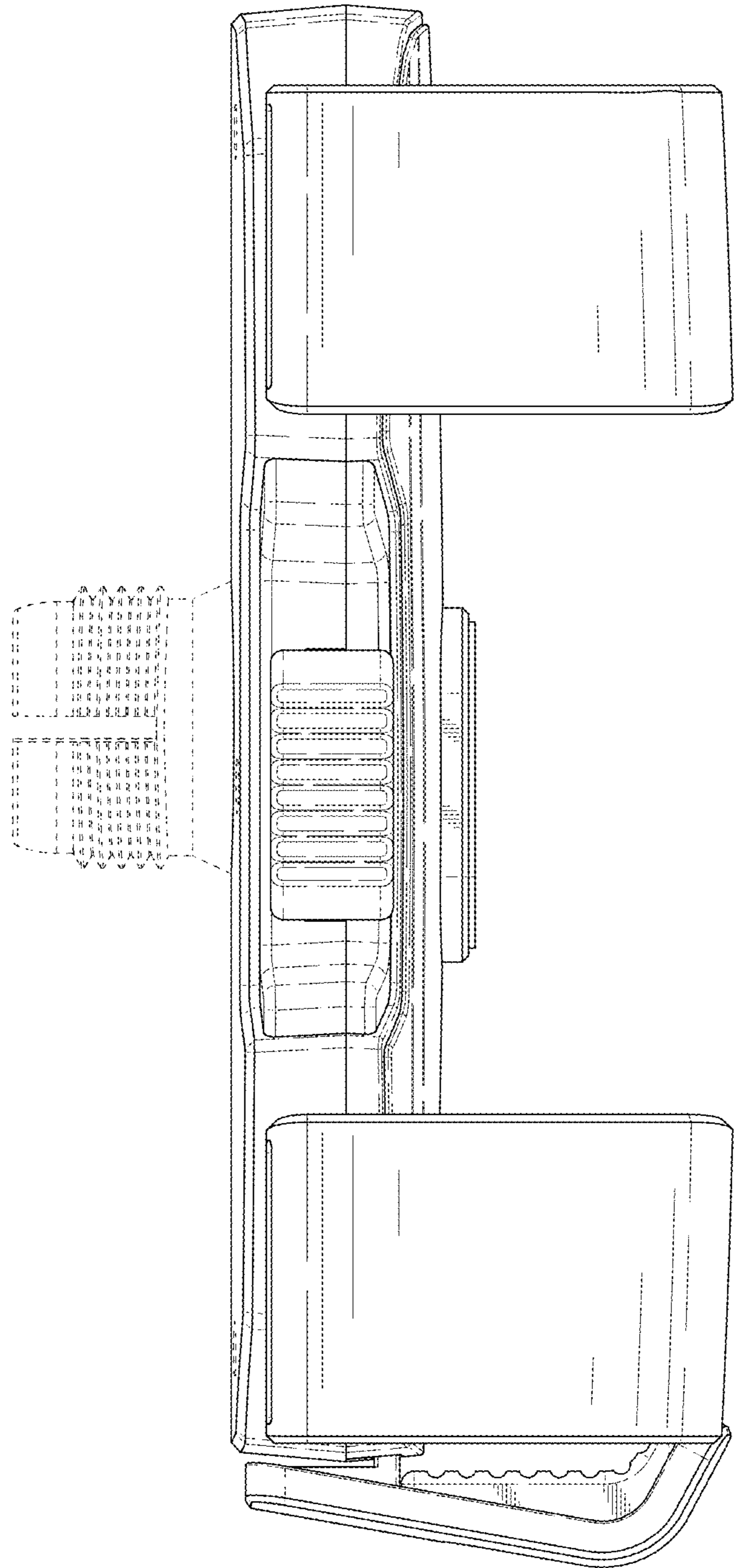


FIG. 5

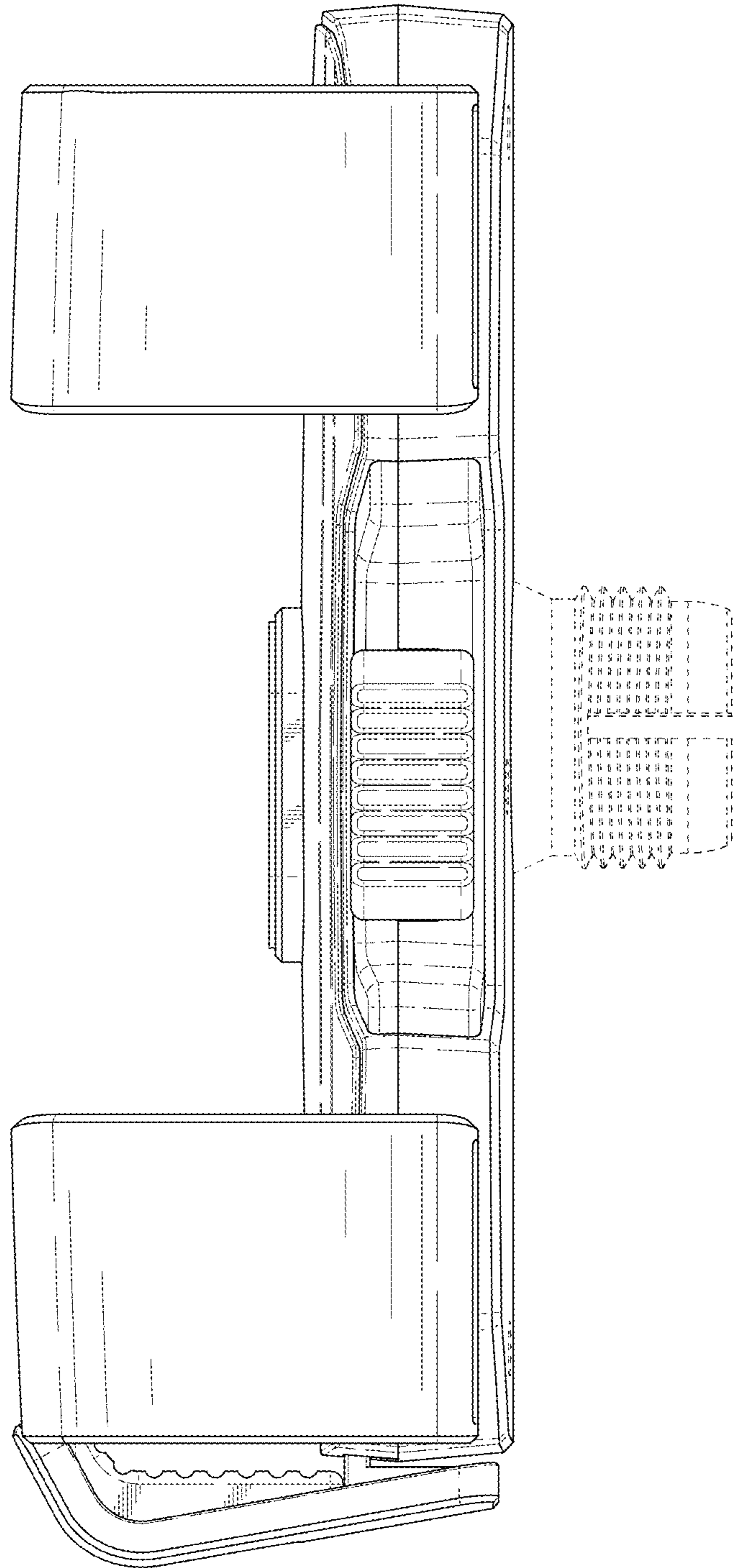


FIG. 6

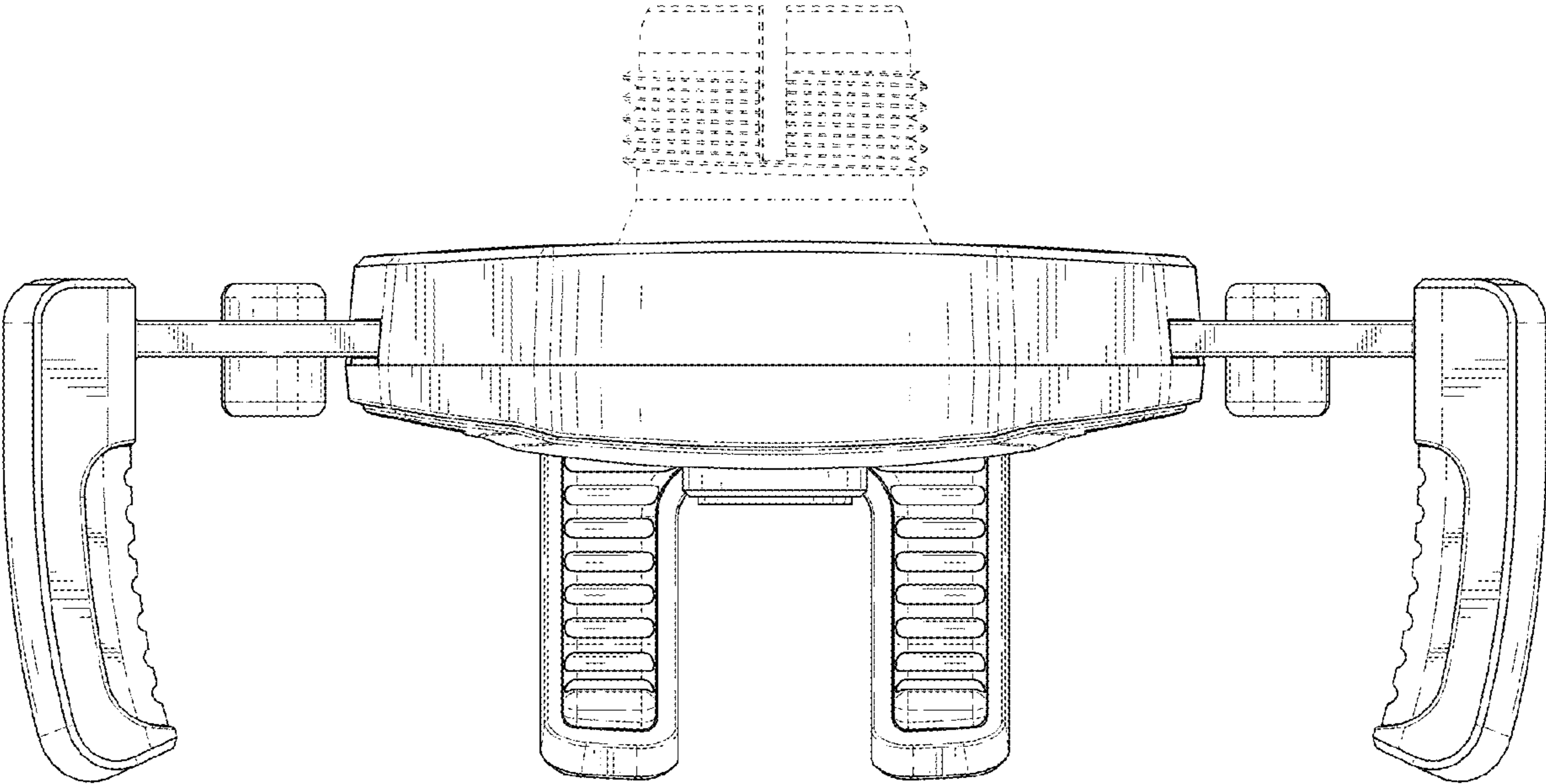


FIG. 7

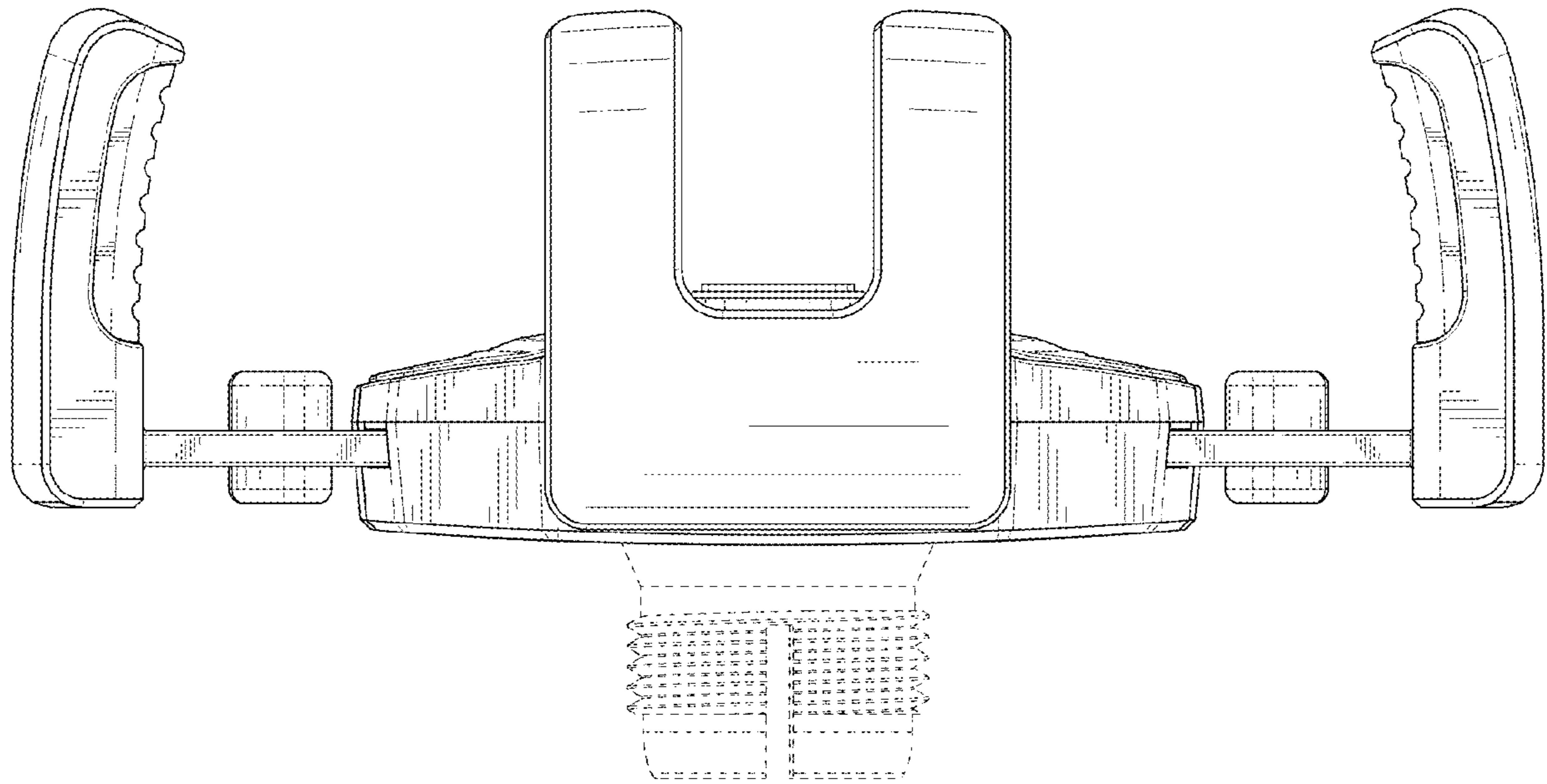


FIG. 8

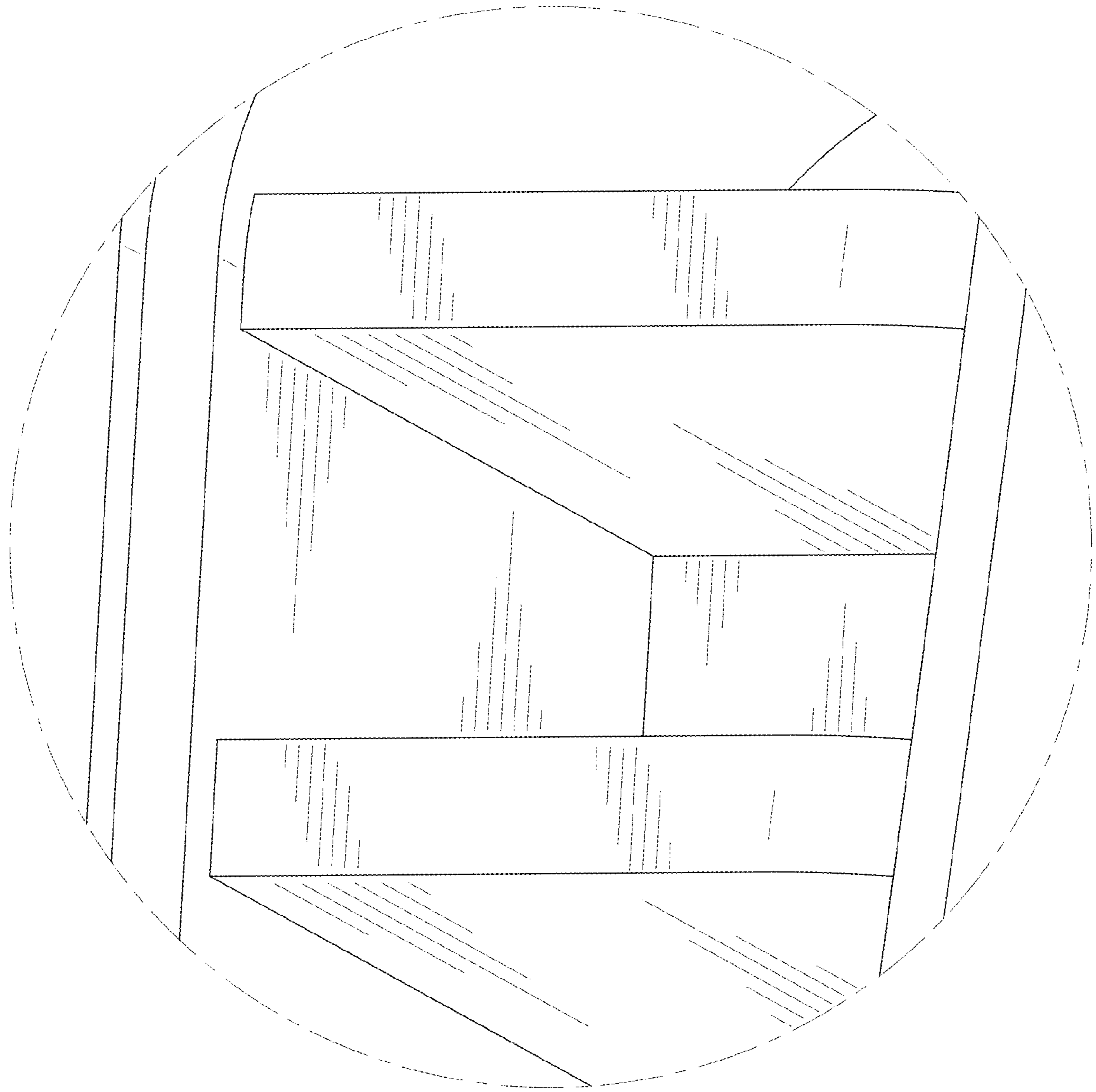


FIG. 9