



US00D989754S

(12) **United States Design Patent**
Adelman

(10) **Patent No.:** **US D989,754 S**
(45) **Date of Patent:** **** Jun. 20, 2023**

(54) **MOBILE DEVICE MOUNT**

(71) Applicant: **Nite Ize, Inc.**, Boulder, CO (US)

(72) Inventor: **Gregory M. Adelman**, Boulder, CO (US)

(73) Assignee: **Nite Ize, Inc.**, Boulder, CO (US)

(**) Term: **15 Years**

(21) Appl. No.: **29/755,438**

(22) Filed: **Oct. 20, 2020**

(51) **LOC (14) Cl.** **14-03**

(52) **U.S. Cl.**
USPC **D14/253**

(58) **Field of Classification Search**
USPC D3/218, 215; D6/675, 656.1, 675.1, 672, D6/673, 675.4, 553, 676, 310, 300, 682.3, D6/460; D8/349, 363, 313, 394-396, 72, D8/74; D12/415, 223, 114, 420, 414, D12/407, 177; D13/107, 108; D14/251-253, 447, 451, 452, 440, D14/432-434, 458, 457, 460, 238.1, 140, D14/142, 149, 217, 148, 140.8, 140.11, D14/209.1, 151, 140.9, 250, 238; D16/242-245, 250, 237, 203, 214, 219; D21/455
CPC F16M 11/00; F16M 11/04; F16M 11/041; F16M 11/02; F16M 11/06; F16M 13/00; H04M 1/02; H04M 1/04; H04M 1/11;
(Continued)

(56) **References Cited**

U.S. PATENT DOCUMENTS

2,907,085 A 10/1959 Bosland
4,319,097 A 3/1982 Liautaud
4,492,036 A 1/1985 Beckwith
(Continued)

FOREIGN PATENT DOCUMENTS

CN 304646653 * 5/2018
CN 306093100 10/2020

(Continued)

OTHER PUBLICATIONS

Adjustable Handlebar Mount for Tablets or Phones, date not known [online],retrieved on Aug. 5, 2022, retrieved from the internet: < <https://untilgone.com/products/adjustable-handlebar-mount-for-tablets-or-phones.html?> > (Year: 2022).*

(Continued)

Primary Examiner — Janice Hallmark

Assistant Examiner — Rodolfo Castro, Jr.

(74) *Attorney, Agent, or Firm* — Potomac Law Group, PLLC

(57) **CLAIM**

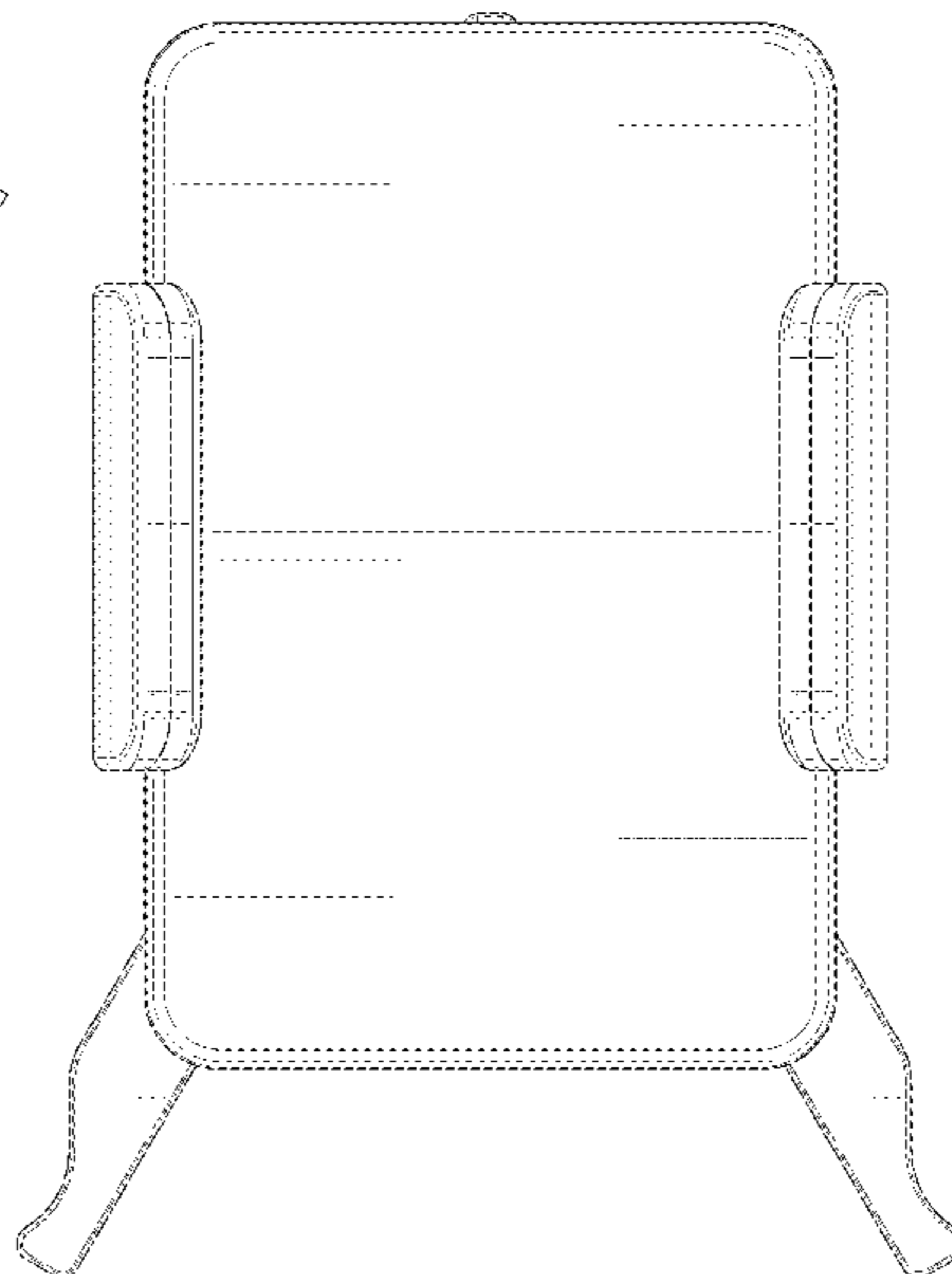
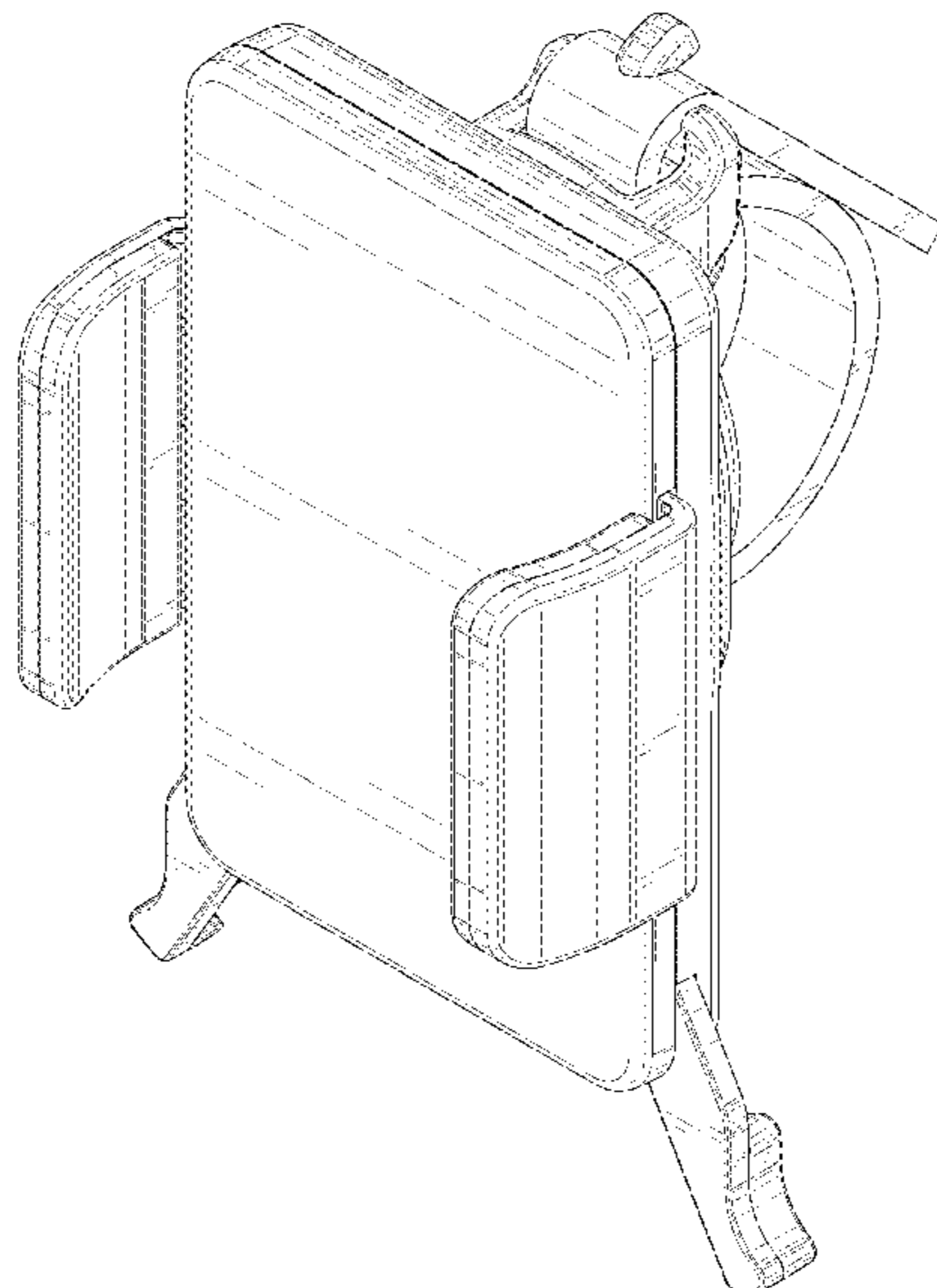
The ornamental design for the mobile device mount, as shown and described.

DESCRIPTION

FIG. 1 is a front perspective view of a mobile device mount, showing the new design;
FIG. 2 is a front view of the mobile device mount of FIG. 1;
FIG. 3 is a rear view of the mobile device mount of FIG. 1;
FIG. 4 is a left side view of the mobile device mount of FIG. 1;
FIG. 5 is a right side view of the mobile device mount of FIG. 1;
FIG. 6 is a top view of the mobile device mount of FIG. 1; and,
FIG. 7 is a bottom view of the mobile device mount of FIG. 1.

The broken lines depict portions of the mobile device mount that form no part of the claimed design.

1 Claim, 7 Drawing Sheets



(58) **Field of Classification Search**
 CPC . H04M 1/12; A47F 7/022; B62J 11/00; B60R
 11/02; H05K 7/00; G03B 17/56
 See application file for complete search history.

(56) **References Cited**

U.S. PATENT DOCUMENTS

5,214,857 A 6/1993 McMurtry et al.
 5,593,124 A 1/1997 Wang
 5,825,874 A 10/1998 Humphreys et al.
 5,845,885 A 12/1998 Carnevali
 5,931,440 A 8/1999 Miller
 5,979,724 A 11/1999 Loewenthal
 5,992,807 A 11/1999 Tarulli
 6,135,408 A 10/2000 Richter
 6,149,116 A 11/2000 Won
 6,269,544 B1 8/2001 Pahk et al.
 6,305,656 B1 10/2001 Wemyss
 6,350,076 B1 2/2002 Wagner
 6,352,228 B1 3/2002 Buerklin
 6,382,482 B1 5/2002 Chao
 6,888,940 B1 5/2005 Deppen
 6,919,787 B1 7/2005 Macken
 7,080,812 B2 7/2006 Wadsworth et al.
 7,110,194 B2 9/2006 Hubbs
 7,162,281 B2 1/2007 Kim
 7,163,181 B2 1/2007 Omph
 7,374,142 B2 5/2008 Carnevali
 7,431,251 B2 10/2008 Carnevali
 7,469,869 B2 12/2008 Killian
 8,398,155 B2 3/2013 Andochick
 D707,672 S * 6/2014 Lai D14/253
 8,757,461 B2 6/2014 Zanetti
 8,900,009 B2 12/2014 Hornick et al.
 9,080,714 B2 7/2015 Minn et al.
 D750,612 S 3/2016 Chen
 D817,317 S * 5/2018 Lee D14/253
 D833,369 S * 11/2018 Lan D12/415
 10,259,400 B1 4/2019 Song
 D875,090 S 2/2020 Leeds-Frank et al.
 D877,066 S 3/2020 Zhang
 D879,090 S * 3/2020 Chung D12/415
 10,598,199 B1 3/2020 Fan
 D881,200 S 4/2020 Leeds-Frank
 D889,454 S 7/2020 Liu
 D892,787 S 8/2020 Chen
 D894,829 S 9/2020 Zhang et al.
 D895,544 S 9/2020 Zhao
 D895,601 S 9/2020 Liao
 D896,177 S 9/2020 Zheng
 D900,087 S 10/2020 Leeds-Frank et al.
 D908,689 S 1/2021 Chen et al.
 11,027,665 B1 6/2021 Cao
 D926,107 S 7/2021 Leeds-Frank et al.
 D926,108 S 7/2021 Leeds-Frank et al.
 D928,041 S * 8/2021 Jones F16B 2/12
 D12/114
 D931,204 S 9/2021 Liao
 D934,235 S 10/2021 Liao
 D946,492 S 3/2022 Qu
 11,516,328 B2 * 11/2022 Adelman F16M 13/02

D974,347 S * 1/2023 Adelman D14/253
 D975,705 S * 1/2023 Adelman D14/253
 2003/0019893 A1 1/2003 Decoteau
 2004/0040994 A1 3/2004 Parcelles
 2004/0188576 A1 9/2004 Carnevali
 2005/0247845 A1 11/2005 Li et al.
 2007/0099469 A1 5/2007 Sorensen
 2008/0061197 A1 3/2008 Carnevali
 2008/0078793 A1 4/2008 Brown
 2008/0087779 A1 4/2008 Liow et al.
 2008/0203260 A1 8/2008 Carnevali
 2009/0102986 A1 4/2009 Yamamoto
 2009/0196597 A1 8/2009 Messinger et al.
 2009/0294617 A1 12/2009 Stacey et al.
 2009/0317071 A1 12/2009 David
 2009/0322278 A1 12/2009 Franks et al.
 2010/0034530 A1 2/2010 Son
 2010/0327031 A1 12/2010 Olmos
 2011/0183728 A1 * 7/2011 Lin H04M 1/04
 455/575.1
 2011/0192857 A1 8/2011 Rothbaum et al.
 2012/0097723 A1 4/2012 Khatchatrian
 2012/0212968 A1 8/2012 Brown
 2012/0305733 A1 12/2012 Vogel et al.
 2013/0292296 A1 * 11/2013 Kang H04M 1/04
 206/775
 2014/0009900 A1 * 1/2014 Yeo H04B 1/3888
 361/809
 2014/0103087 A1 4/2014 Fan
 2014/0138419 A1 5/2014 Minn et al.
 2014/0168890 A1 6/2014 Barnard
 2016/0080022 A1 * 3/2016 Radmard H04B 1/3888
 455/575.8
 2020/0191178 A1 6/2020 Yang
 2022/0124190 A1 4/2022 Adelman

FOREIGN PATENT DOCUMENTS

DE 202005014119 U1 11/2005
 DE 102009039557 3/2011
 EP 0258471 B1 3/1993
 GB 6088007 * 4/2020
 JP 2004 158796 A 6/2004
 JP 2006234896 9/2006
 JP D1667077 * 8/2020
 KR 200472994 6/2014
 KR 3020190000593 * 5/2019
 RU 2497699 11/2013
 WO WO 95/01531 1/1995
 WO WO 2011/026605 3/2011

OTHER PUBLICATIONS

Bike Phone Mount, Motorcycle Phone Holder, Nov. 28, 2020 [online], retrieved Aug. 5, 2022, retrieved from the internet: < <https://www.amazon.com/dp/B08P84WF4S> > (Year: 2020).*
 Nite Ize Squeeze Rotating Smartphone Bar Mount, Dec. 15, 2020 [online], retrieved on Aug. 11, 2022, retrieved from the internet: < <https://www.amazon.com/Nite-Ize-Smartphone-Universal-Compatible/dp/B08QR6KK4D> > (Year: 2020).*

* cited by examiner

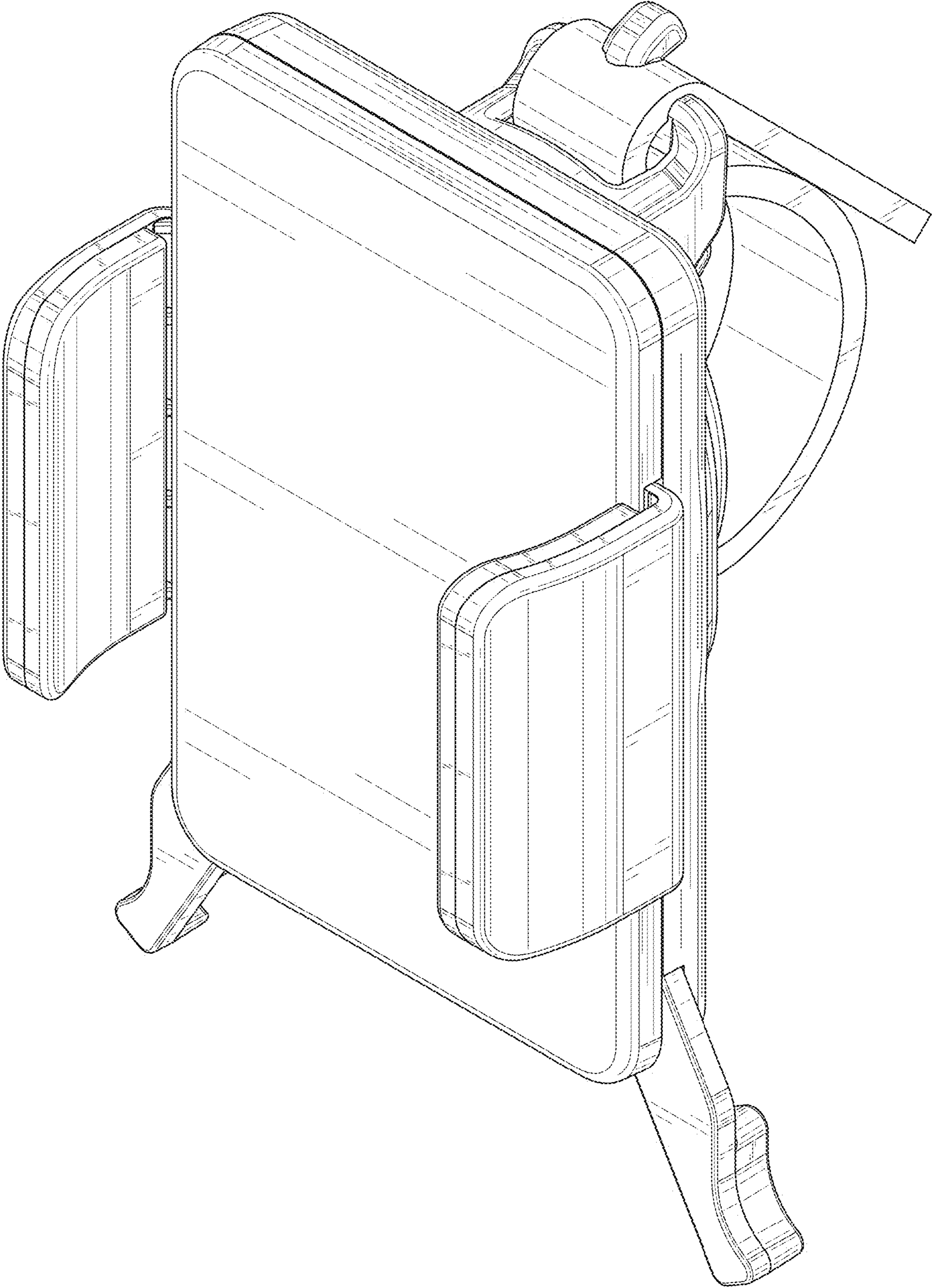


FIG. 1

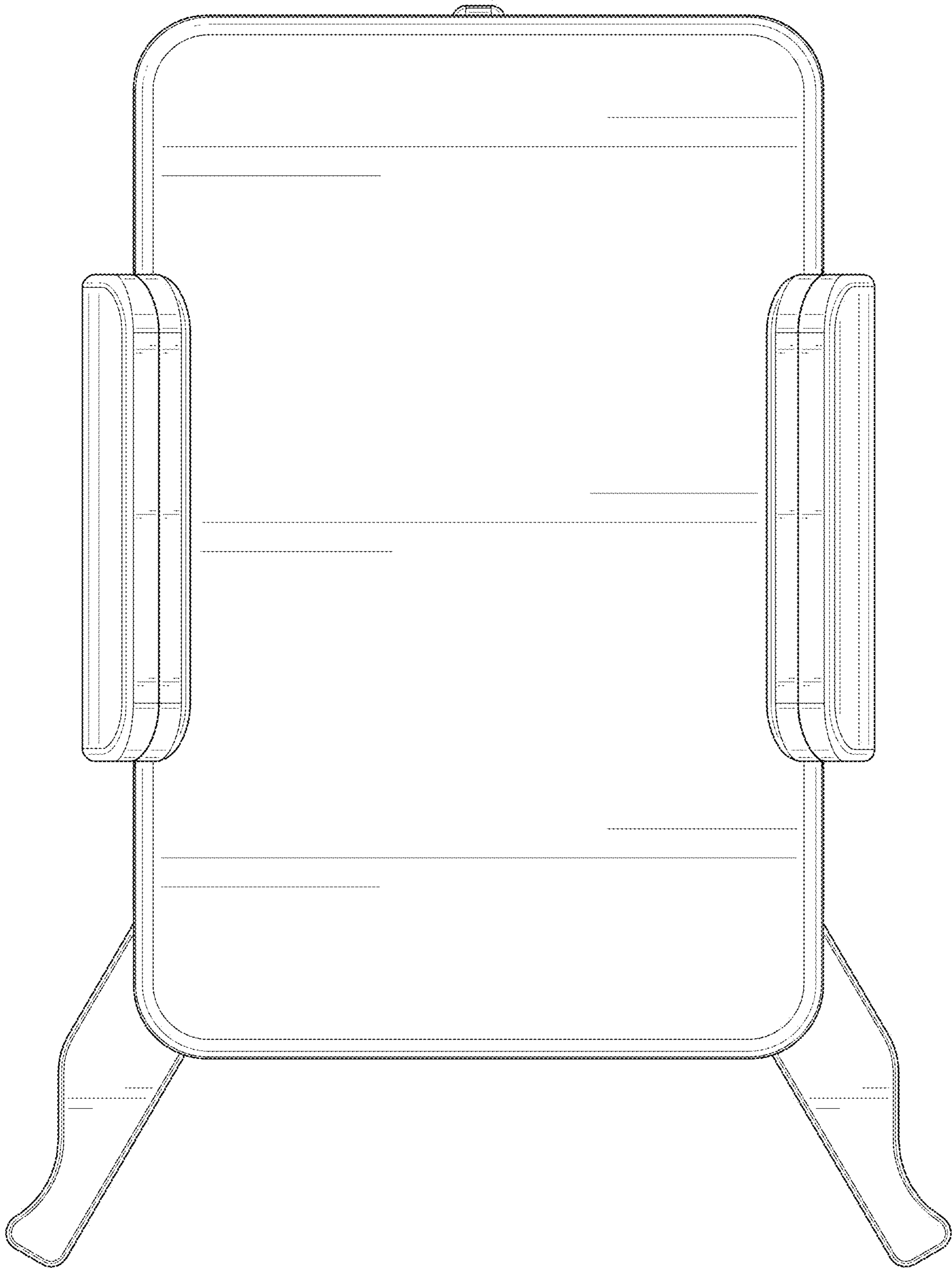


FIG. 2

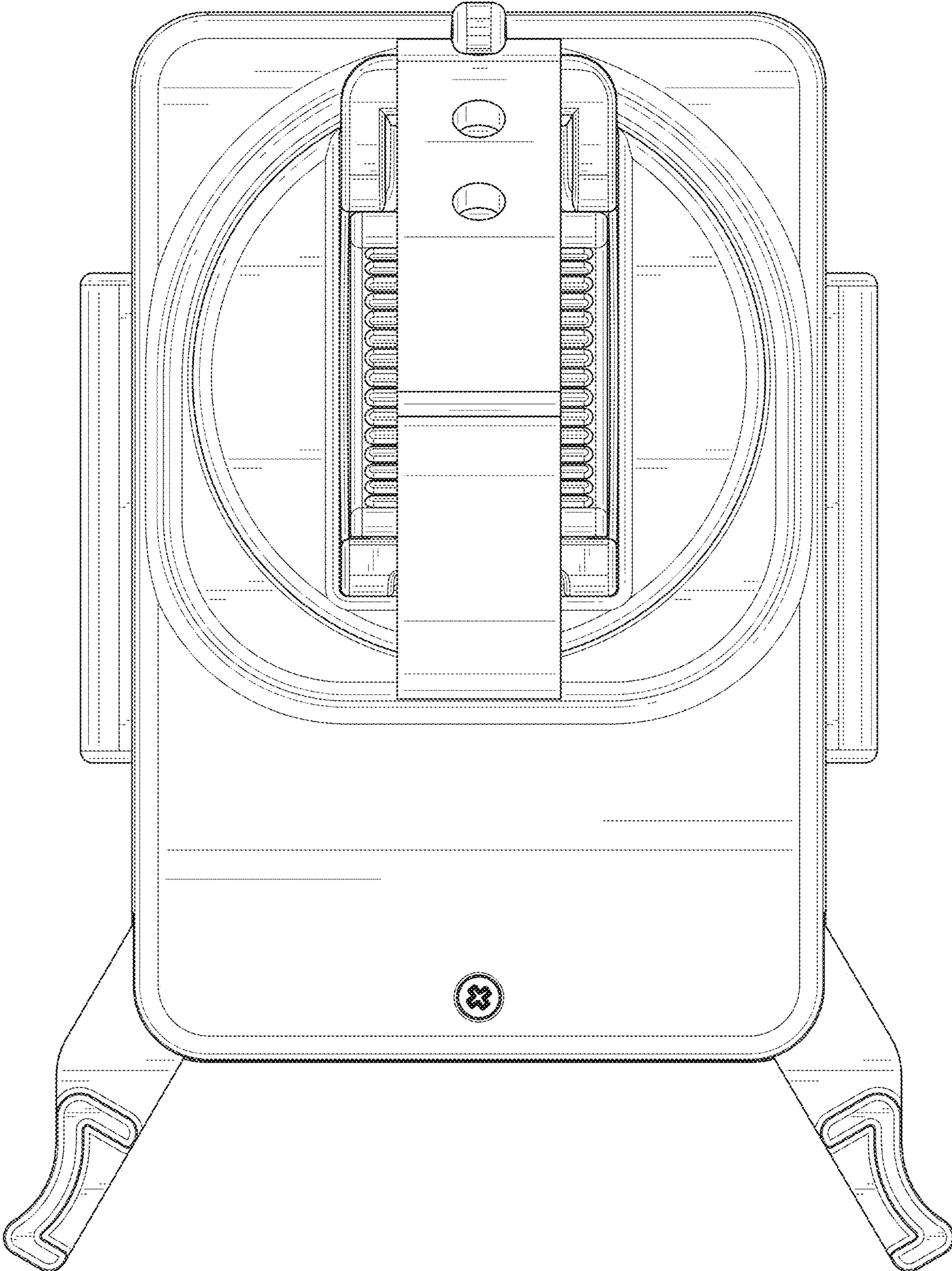


FIG. 3

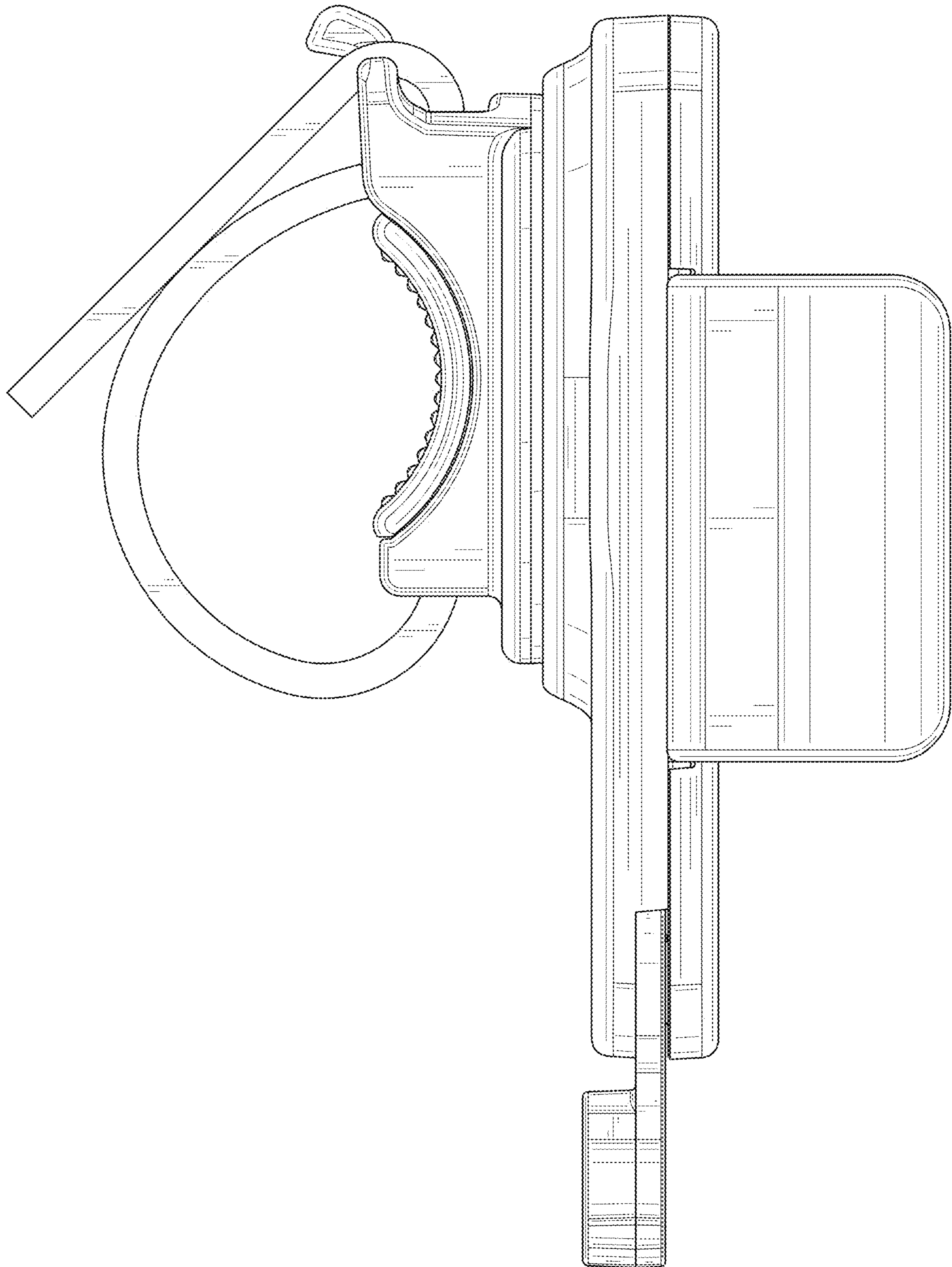


FIG. 4

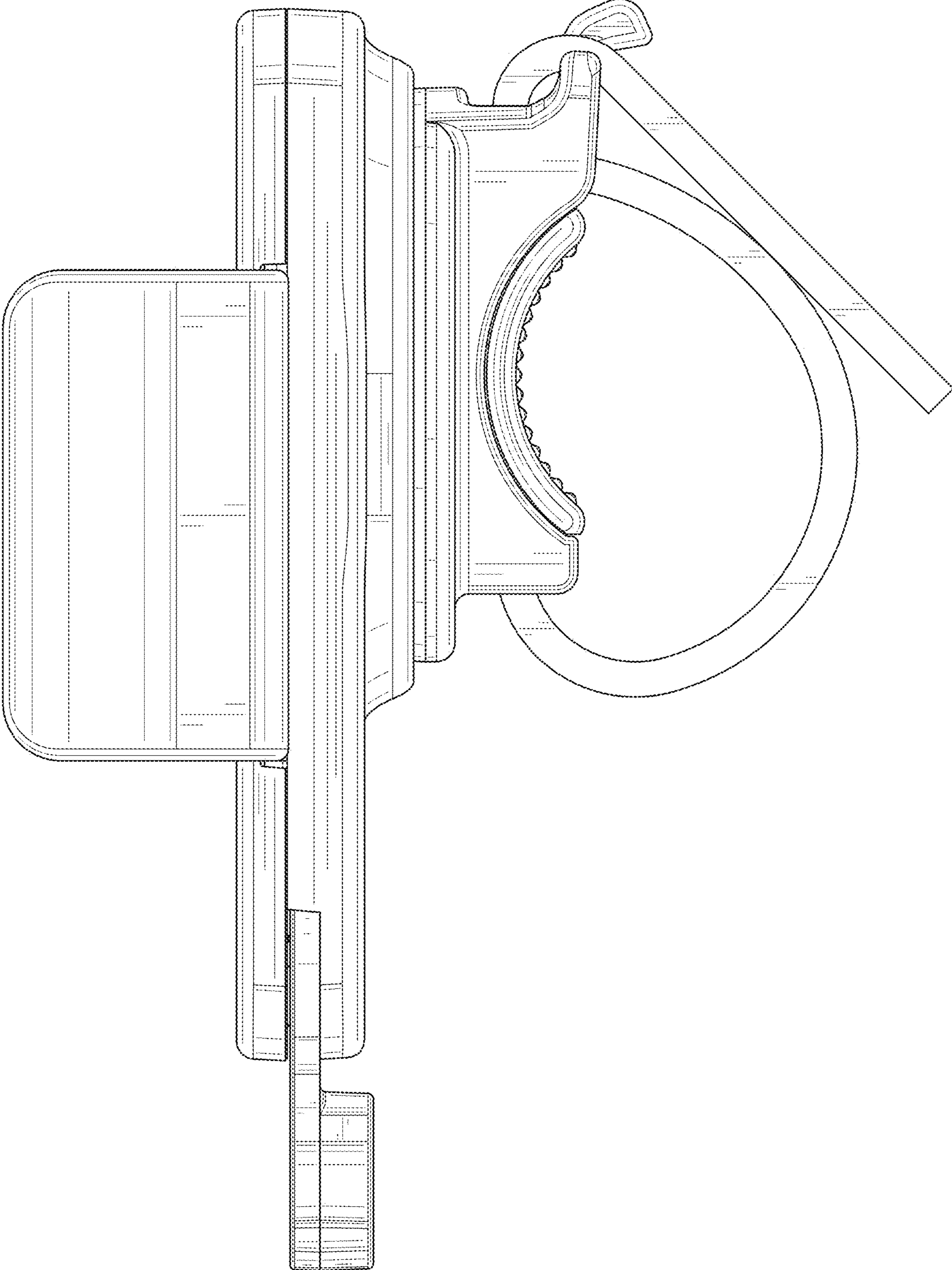


FIG. 5

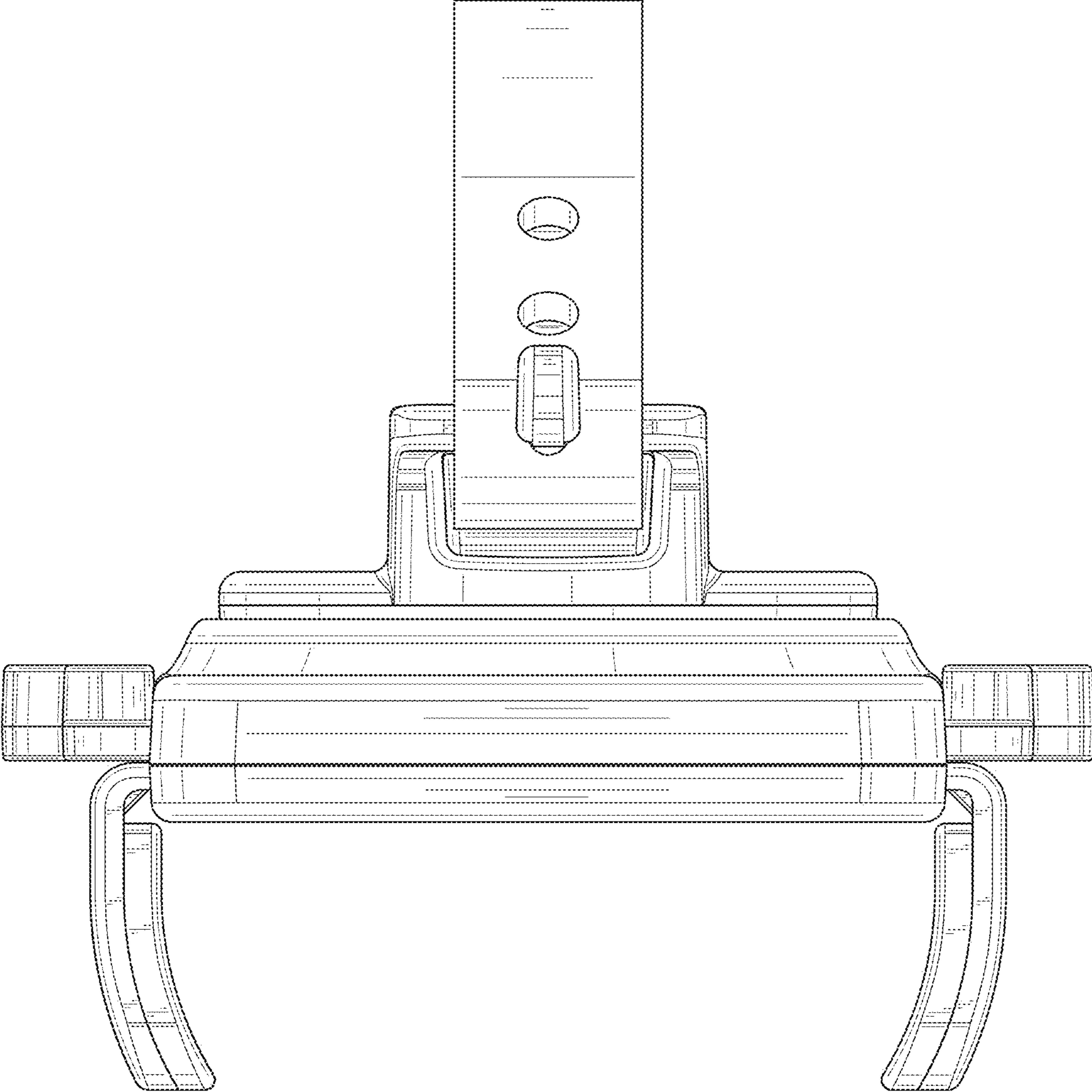


FIG. 6

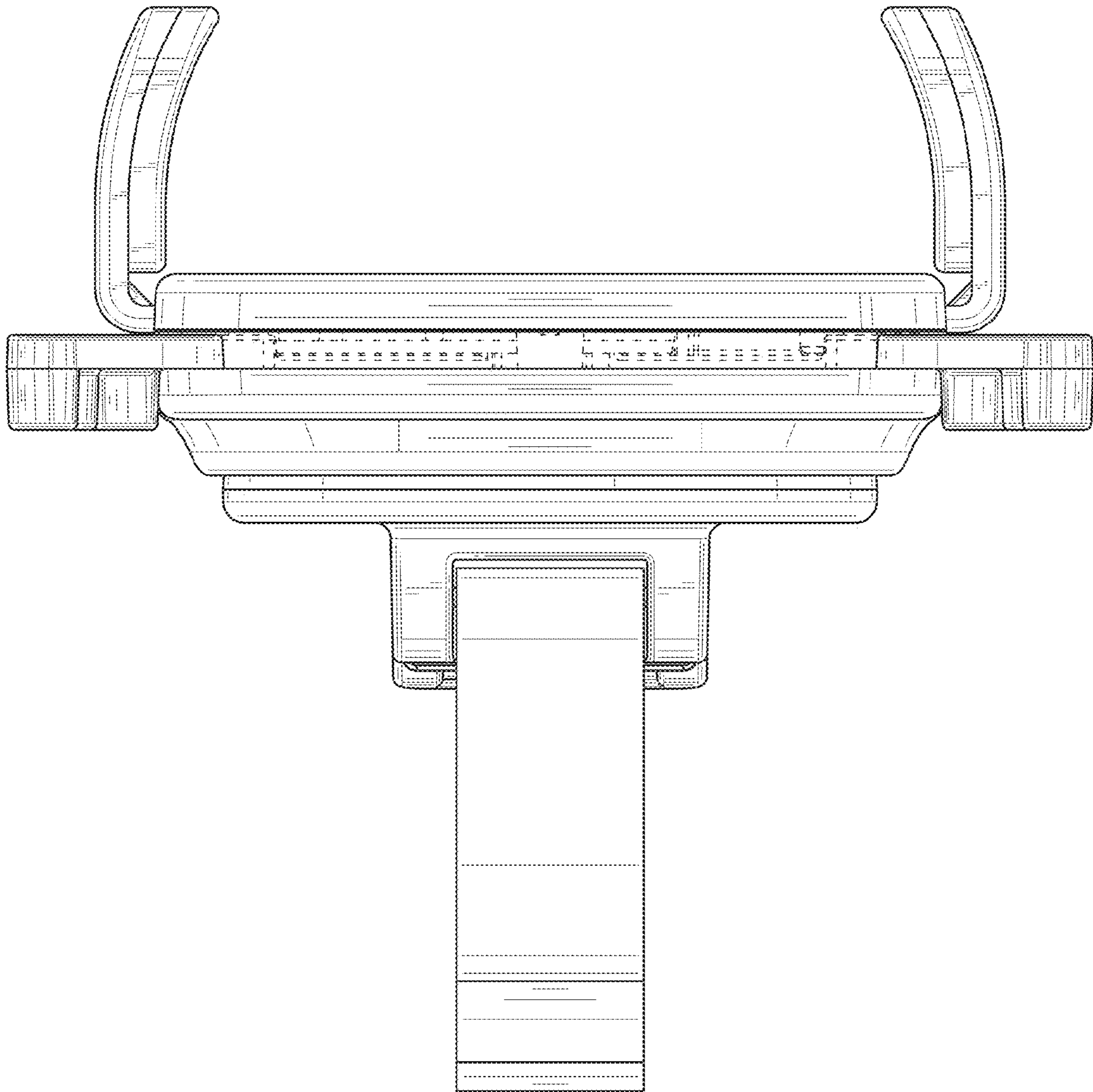


FIG. 7