



US00D989753S

(12) **United States Design Patent**  
**Weng**

(10) **Patent No.:** **US D989,753 S**  
(45) **Date of Patent:** **\*\* Jun. 20, 2023**

- (54) **WATERPROOF PHONE CASE**
- (71) Applicant: **Shenzhen Jiayin Technology Co., LTD**, Shenzhen (CN)
- (72) Inventor: **Yerong Weng**, Shenzhen (CN)
- (73) Assignee: **Shenzhen Jiayin Technology Co., LTD.**, Shenzhen (CN)
- (\*\*) Term: **15 Years**
- (21) Appl. No.: **29/808,155**
- (22) Filed: **Sep. 17, 2021**
- (51) **LOC (14) Cl.** ..... **14-03**
- (52) **U.S. Cl.**  
USPC ..... **D14/250**
- (58) **Field of Classification Search**  
USPC ..... D3/201, 218, 247, 249, 269; D13/107,  
D13/108, 118, 119; D14/217, 248,  
D14/250-253, 432, 440  
CPC ..... H04B 1/3888; H04M 1/0283; H04M  
1/0202; A45F 2005/028; A45F 2200/0525  
See application file for complete search history.

(56) **References Cited**

**U.S. PATENT DOCUMENTS**

D697,060 S *	1/2014	Yang	.....	D14/250
D778,275 S *	2/2017	Gabriel	.....	D14/250
D780,167 S *	2/2017	Tien	.....	D14/250
D806,692 S *	1/2018	Jia	.....	D14/250
D862,451 S *	10/2019	Ahn	.....	D14/250
D896,212 S *	9/2020	Wang	.....	D14/250
D898,015 S *	10/2020	Kwak	.....	D14/250
D898,016 S *	10/2020	Liang	.....	D14/250
D906,317 S *	12/2020	Kim	.....	D14/250
D908,121 S *	1/2021	Weng	.....	D14/250
D914,006 S *	3/2021	Yoon	.....	D14/250
D915,386 S *	4/2021	Zhou	.....	D14/250
D918,888 S *	5/2021	Feng	.....	D14/250
D923,616 S *	6/2021	Xie	.....	D14/250

D934,226 S *	10/2021	Zhang	.....	D14/250
D934,850 S *	11/2021	Weng	.....	D14/250
D936,047 S *	11/2021	Feng	.....	D14/250
D938,948 S *	12/2021	Luo	.....	D14/250
D941,282 S *	1/2022	Bai	.....	D14/250
D947,166 S *	3/2022	Mi	.....	D14/250
D949,840 S *	4/2022	Ling	.....	D14/250
D965,577 S *	10/2022	Xu	.....	D14/250
D967,084 S *	10/2022	Zhang	.....	D14/250
D967,811 S *	10/2022	Bai	.....	D14/250
2018/0041237 A1 *	2/2018	Mody	.....	H04M 1/185

\* cited by examiner

*Primary Examiner* — L. A. Grabenstetter

(57) **CLAIM**

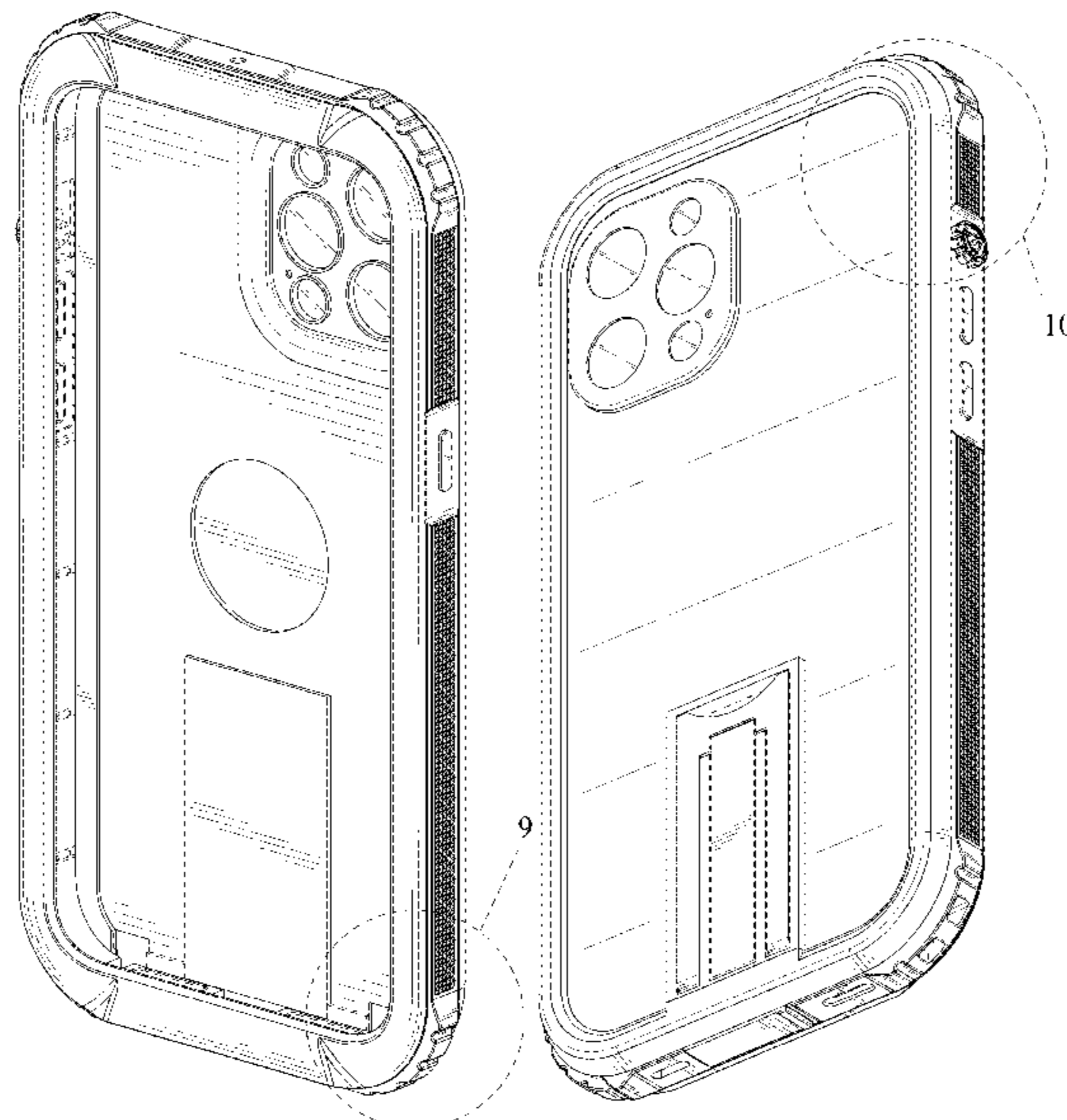
The ornamental design for a waterproof phone case, as shown and described.

**DESCRIPTION**

FIG. 1 is a top, front and right perspective view of a waterproof phone case showing my new design;  
 FIG. 2 is a left, rear and bottom perspective view thereof;  
 FIG. 3 is a front view thereof;  
 FIG. 4 is a rear view thereof;  
 FIG. 5 is a left side view thereof;  
 FIG. 6 is a right side view thereof;  
 FIG. 7 is a top plan view thereof;  
 FIG. 8 is a bottom plan view thereof;  
 FIG. 9 is an enlarged partial view of FIG. 1, taken from circle "9"; and,  
 FIG. 10 is an enlarged partial view of FIG. 2, taken from circle "10".

The broken lines illustrating features of the waterproof phone case represent portions of the article that form no part of the claimed design. The broken line circles and wavy lines included in FIGS. 1, 2, 9, and 10 are included for the purpose of illustrating the enlarged partial views and form no part of the claimed design.

**1 Claim, 10 Drawing Sheets**



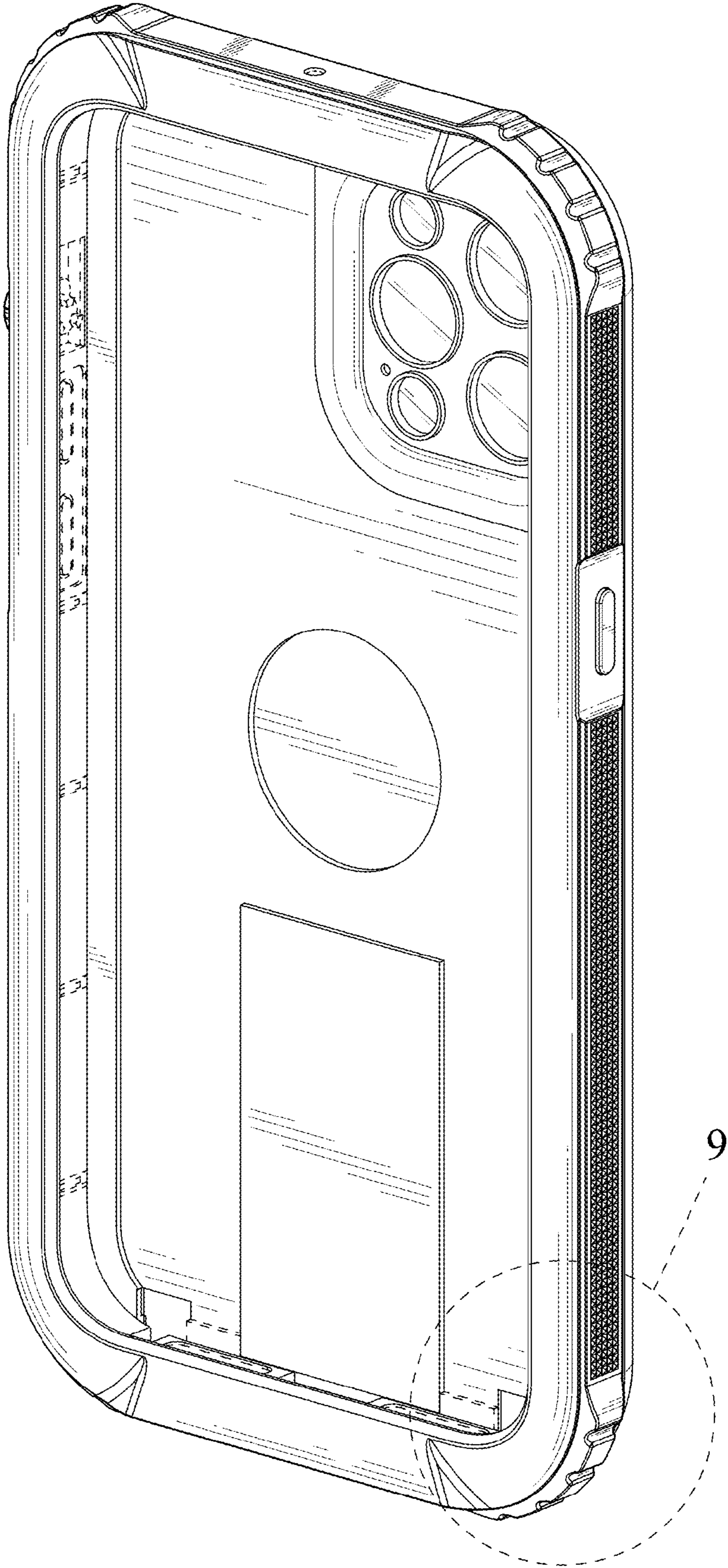


FIG. 1

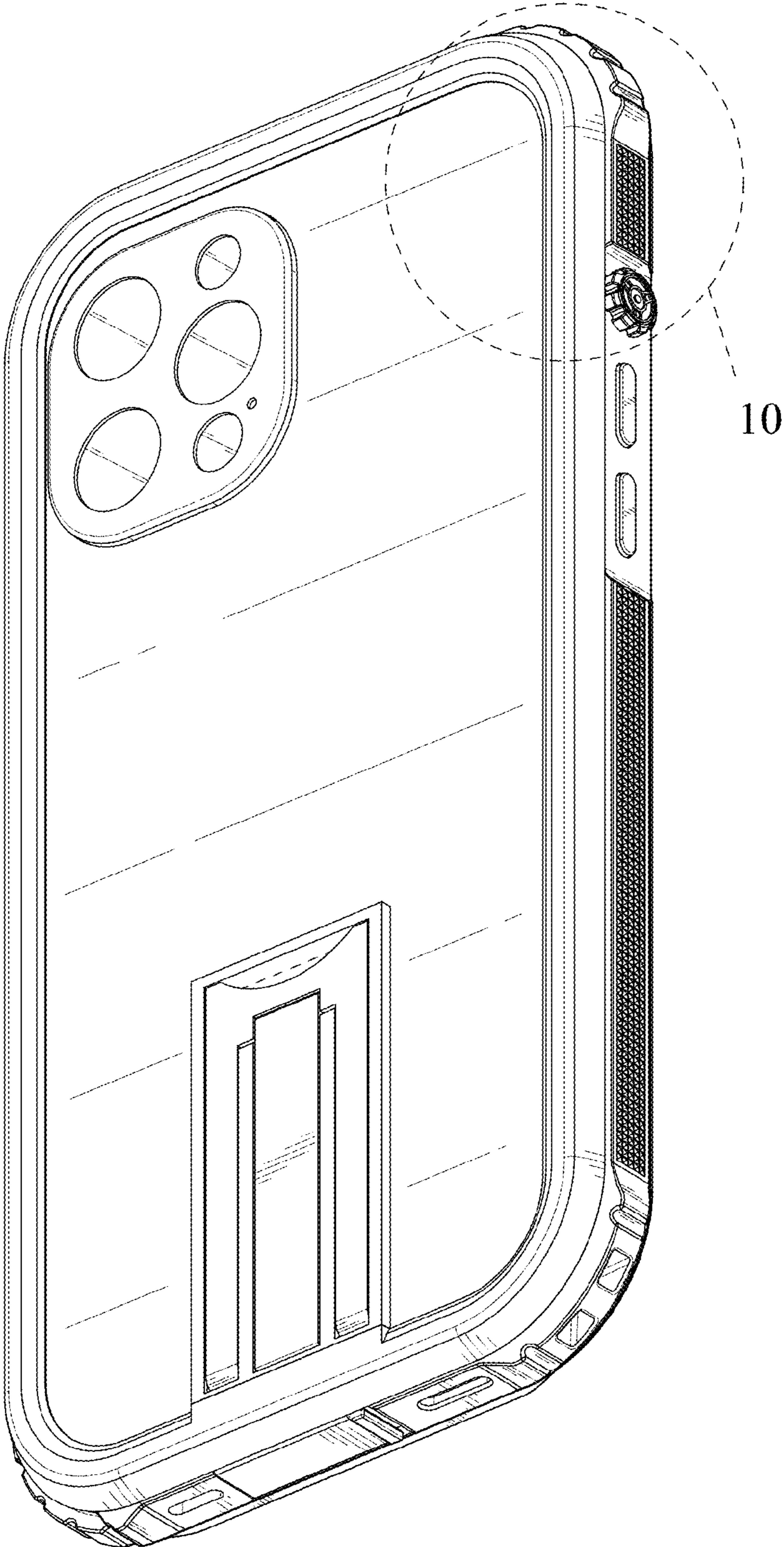


FIG. 2

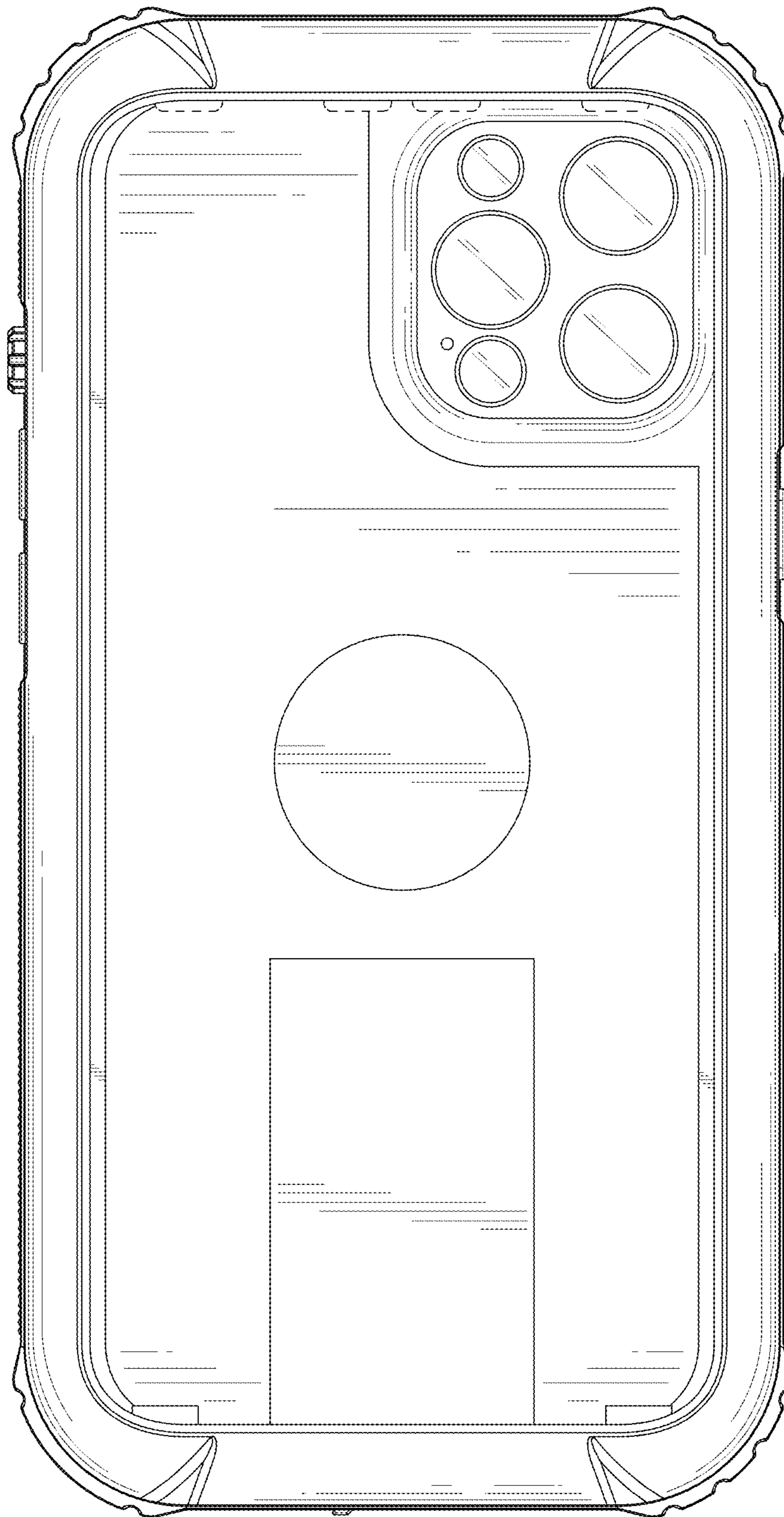


FIG. 3

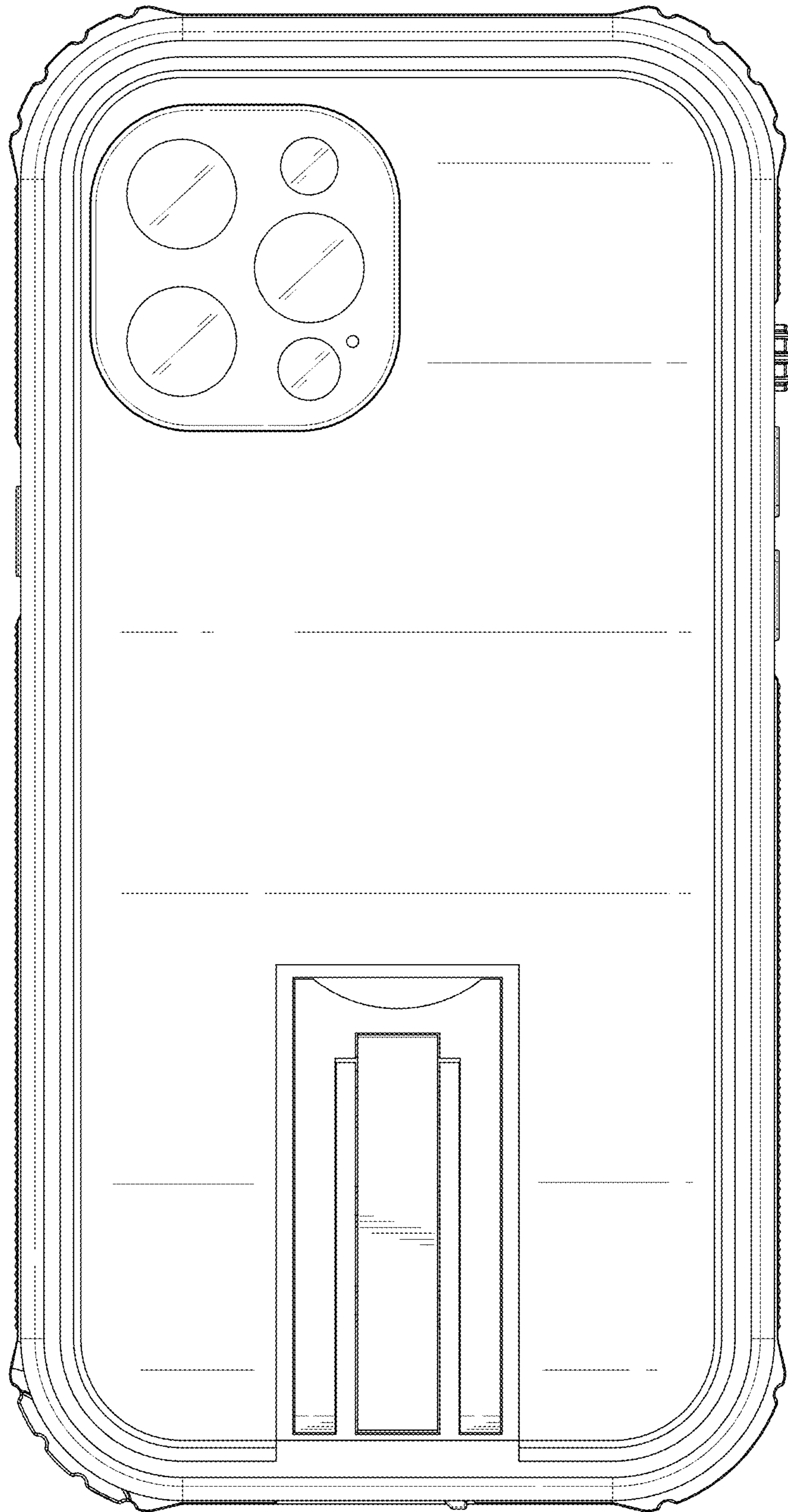


FIG. 4

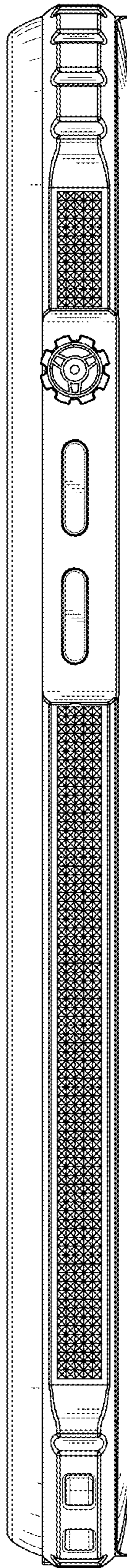


FIG. 5

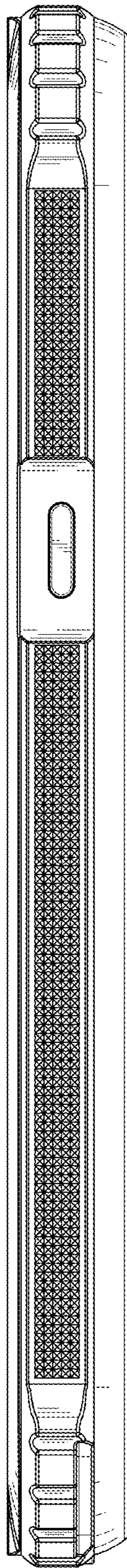


FIG. 6

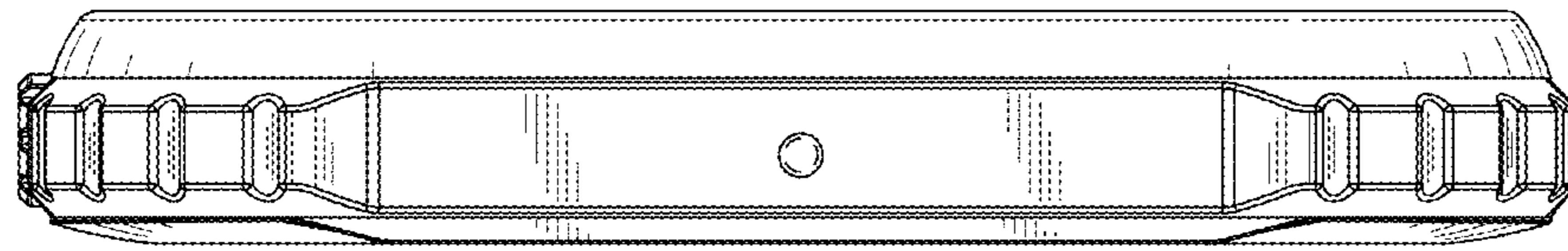


FIG. 7



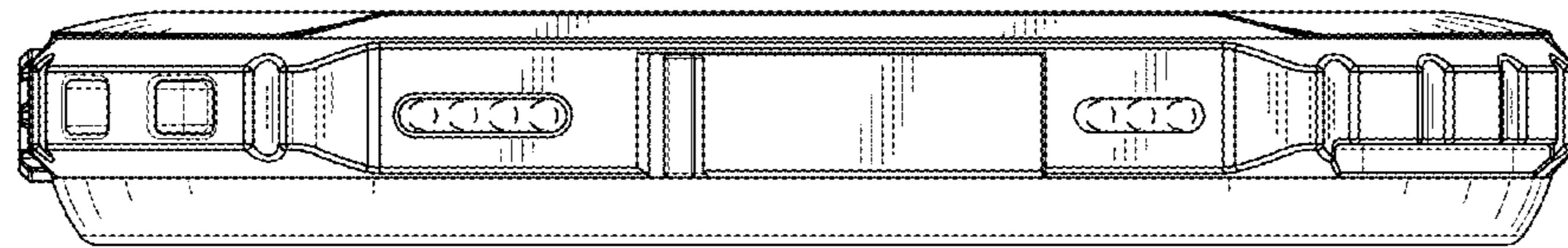


FIG. 8

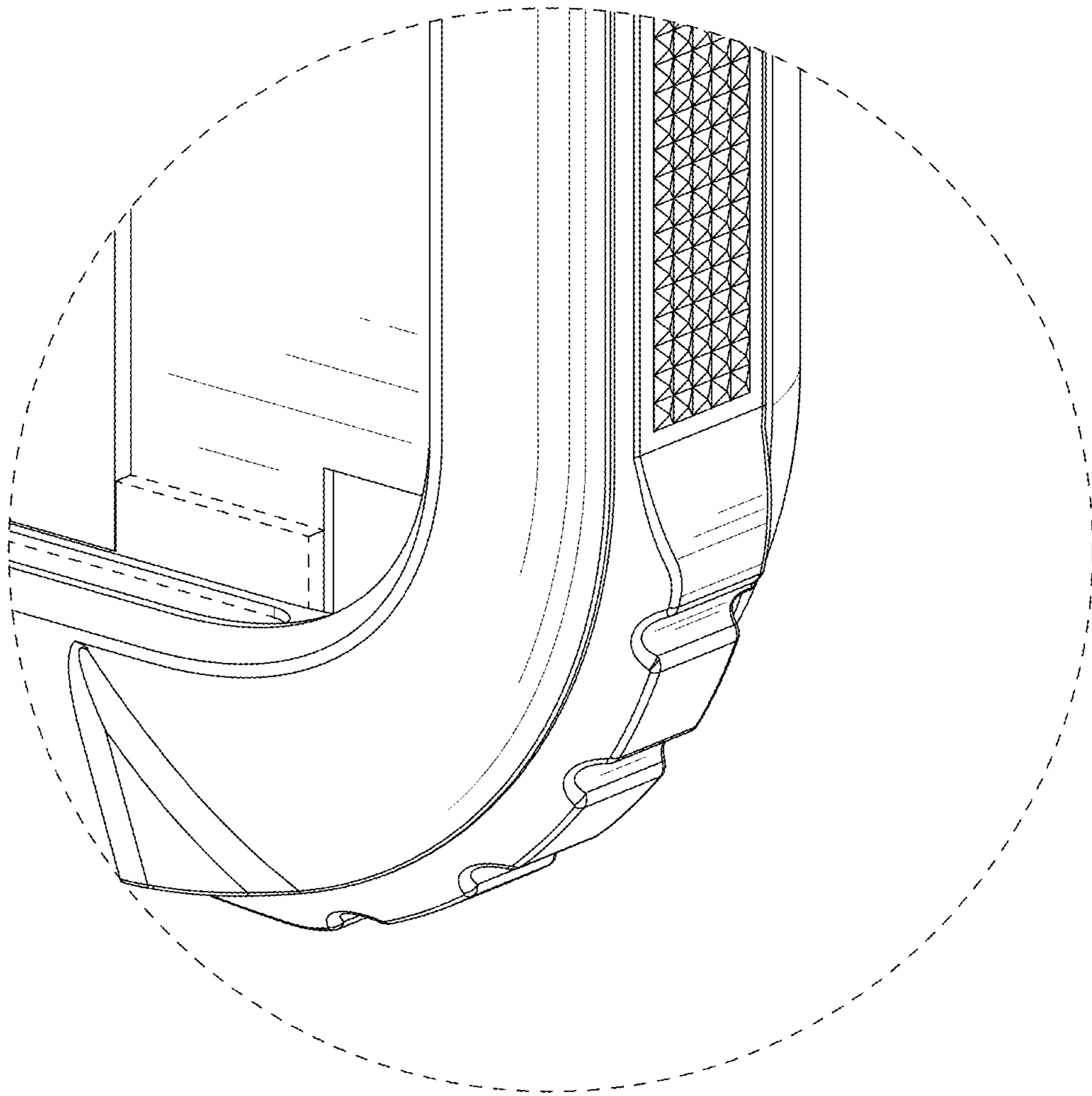


FIG. 9

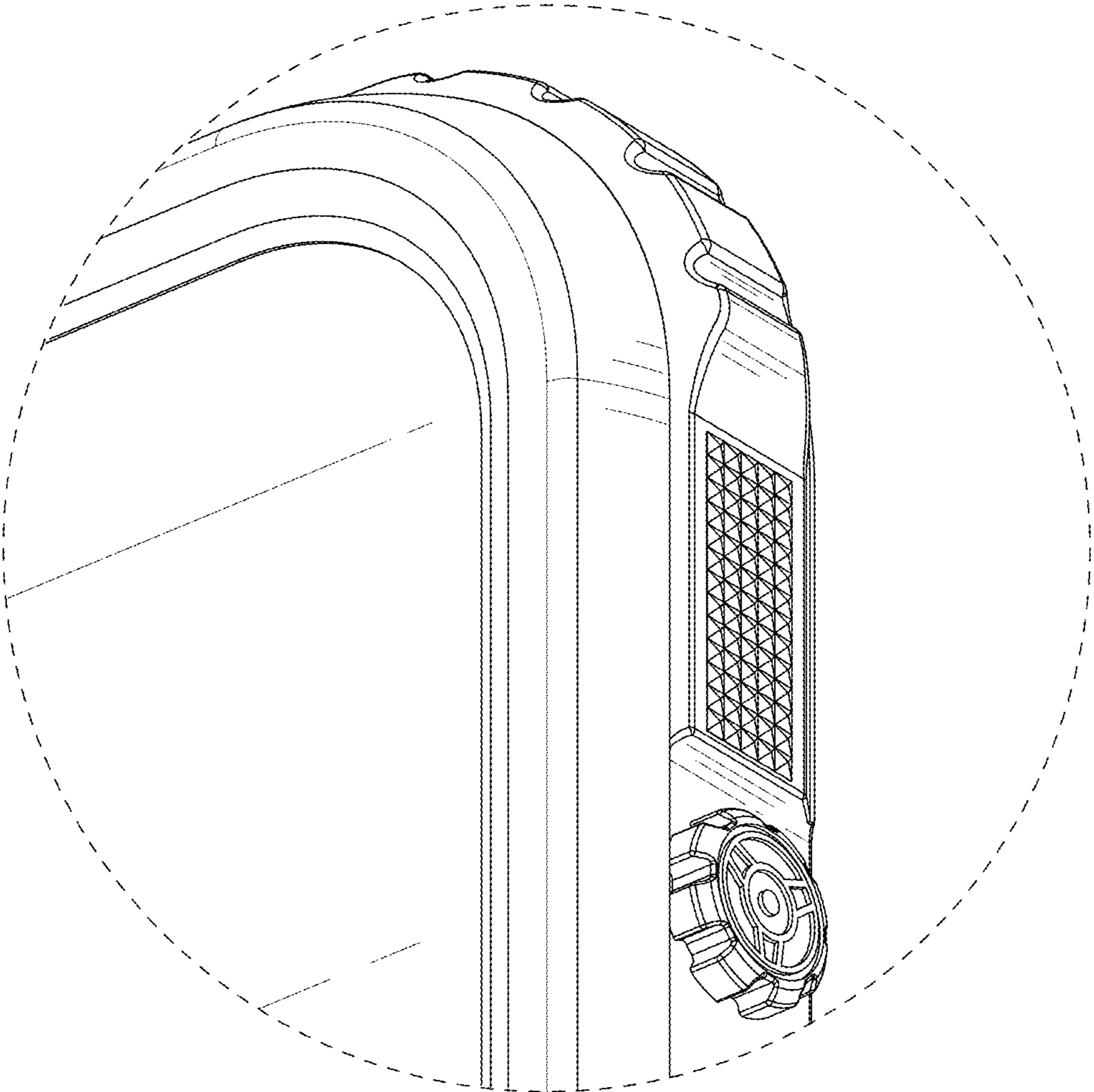


FIG. 10