



US00D989748S

(12) **United States Design Patent**  
**Wu**

(10) **Patent No.:** **US D989,748 S**  
(45) **Date of Patent:** **\*\* Jun. 20, 2023**

(54) **EARPHONE**

(71) Applicant: **Zhijun Wu**, Anqing (CN)

(72) Inventor: **Zhijun Wu**, Anqing (CN)

(\*\*) Term: **15 Years**

(21) Appl. No.: **29/870,150**

(22) Filed: **Jan. 17, 2023**

(30) **Foreign Application Priority Data**

Nov. 25, 2022 (CN) ..... 202230790595.0

(51) **LOC (14) Cl.** ..... **14-01**

(52) **U.S. Cl.**  
USPC ..... **D14/223**

(58) **Field of Classification Search**  
USPC ..... D14/223, 205; D24/174; 128/864–866;  
381/380–381  
CPC ..... H04R 1/10; H04R 25/00; H04R 1/1016;  
H04R 1/1066; H04R 5/033; H04R  
5/0335; H04R 1/105; H04R 1/1083;  
H04R 1/1091; H04R 1/1058  
See application file for complete search history.

(56) **References Cited**

**U.S. PATENT DOCUMENTS**

4,122,841 A \* 10/1978 Rock ..... A61B 5/12  
128/864  
D340,932 S \* 11/1993 Yan ..... D14/249  
6,574,345 B1 \* 6/2003 Huang ..... H04R 1/1016  
379/430  
6,668,064 B1 \* 12/2003 Lin ..... H04R 1/1016  
381/328  
D554,109 S \* 10/2007 Ledbetter ..... D14/223  
D632,680 S \* 2/2011 Anneback ..... D14/228  
8,331,604 B2 \* 12/2012 Saito ..... H04R 1/1083  
381/328  
8,660,287 B2 \* 2/2014 Stephenson ..... H04R 1/1066  
381/384

8,712,087 B2 \* 4/2014 Ozawa ..... H04R 1/345  
381/328  
D733,101 S \* 6/2015 Pi ..... D14/223  
D801,314 S \* 10/2017 Akana ..... D14/223  
D832,823 S \* 11/2018 Xiao ..... D14/223  
D869,445 S \* 12/2019 Hu ..... D14/223  
D889,436 S \* 7/2020 Zhang ..... D14/206  
D890,724 S \* 7/2020 Li  
D896,206 S \* 9/2020 Xu ..... D14/223  
D904,351 S \* 12/2020 Zhang ..... D14/223  
D906,299 S \* 12/2020 Luo ..... D14/223  
D907,010 S \* 1/2021 Akana et al.  
D909,347 S \* 2/2021 Akana ..... D14/223  
D910,600 S \* 2/2021 Zhang ..... D14/223  
D914,652 S \* 3/2021 Chen ..... D14/223

(Continued)

**FOREIGN PATENT DOCUMENTS**

CN 306242145 \* 12/2020  
CN 307010727 \* 12/2021

(Continued)

*Primary Examiner* — Paula Allen Greene

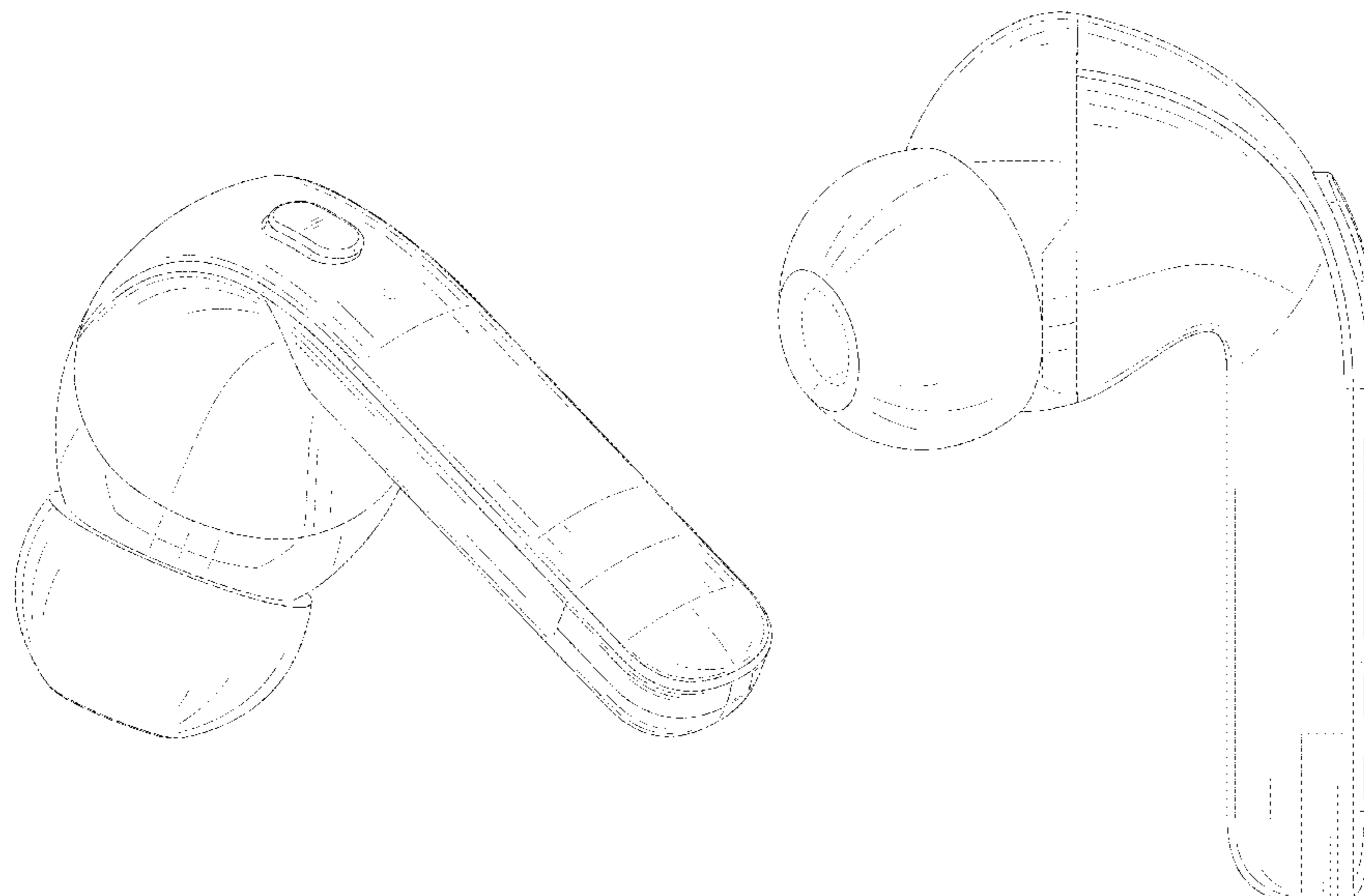
(57) **CLAIM**

The ornamental design for an earphone, as shown and described.

**DESCRIPTION**

FIG. 1 is a perspective view of an earphone showing my design;  
FIG. 2 is a front elevational view thereof;  
FIG. 3 is a rear elevational view thereof;  
FIG. 4 is a left side elevational view thereof;  
FIG. 5 is a right side elevational view thereof;  
FIG. 6 is a top plan view thereof; and,  
FIG. 7 is a bottom plan view thereof.  
The broken lines in the drawings depict portions of the earphone that form no part of the claimed design.

**1 Claim, 7 Drawing Sheets**



(56)

References Cited

U.S. PATENT DOCUMENTS

D916,058 S \* 4/2021 Wu ..... D14/223  
 D916,684 S \* 4/2021 Fang ..... D14/223  
 D916,685 S \* 4/2021 Fang ..... D14/223  
 D918,178 S \* 5/2021 Chen ..... D14/223  
 D918,182 S \* 5/2021 Chen ..... D14/223  
 D921,615 S \* 6/2021 Wu ..... D14/223  
 D924,209 S \* 7/2021 Wu ..... D14/223  
 D925,495 S \* 7/2021 Liu ..... D14/223  
 D926,733 S \* 8/2021 Wu ..... D14/223  
 D929,969 S \* 9/2021 Ding ..... D3/274  
 D930,623 S \* 9/2021 Liu ..... D14/223  
 D931,838 S \* 9/2021 Deng ..... D14/223  
 D938,386 S \* 12/2021 Park ..... D14/205  
 D938,387 S \* 12/2021 Park ..... D14/205  
 D942,424 S \* 2/2022 Ye ..... D14/223  
 D945,402 S \* 3/2022 Yu ..... D14/223  
 D951,917 S \* 5/2022 Chen ..... D14/223  
 D952,611 S \* 5/2022 Hong ..... D14/223  
 D953,303 S \* 5/2022 Chen ..... D14/223  
 D963,614 S \* 9/2022 Wu ..... D14/223  
 D963,615 S \* 9/2022 Xun ..... D14/223

D967,067 S \* 10/2022 Cai ..... D14/223  
 D967,070 S \* 10/2022 He ..... D14/223  
 D967,805 S \* 10/2022 Hong ..... D14/223  
 D968,371 S \* 11/2022 Ao ..... D14/223  
 D975,063 S \* 1/2023 Huang ..... D14/223  
 2016/0014498 A1\* 1/2016 Paschel ..... H04R 1/1016  
 381/380  
 2017/0164087 A1\* 6/2017 Kurtz ..... H04R 1/1016  
 2020/0100010 A1\* 3/2020 Yang ..... G06F 3/044  
 2020/0107098 A1\* 4/2020 DiFonzo ..... H01F 1/147  
 2020/0252715 A1\* 8/2020 Zhou ..... H04R 1/1016  
 2021/0014603 A1\* 1/2021 Wei ..... G01V 3/088

FOREIGN PATENT DOCUMENTS

EM 008669519-0001 \* 9/2021  
 EM 008801641-0001 \* 12/2021  
 EM 008801641-0003 \* 12/2021  
 EM 008843577-0002 \* 1/2022  
 EM 009074032-0003 \* 6/2022  
 EM 009159247-0001 \* 8/2022  
 GB 6169120 \* 10/2021  
 JP D1731447 \* 11/2022

\* cited by examiner

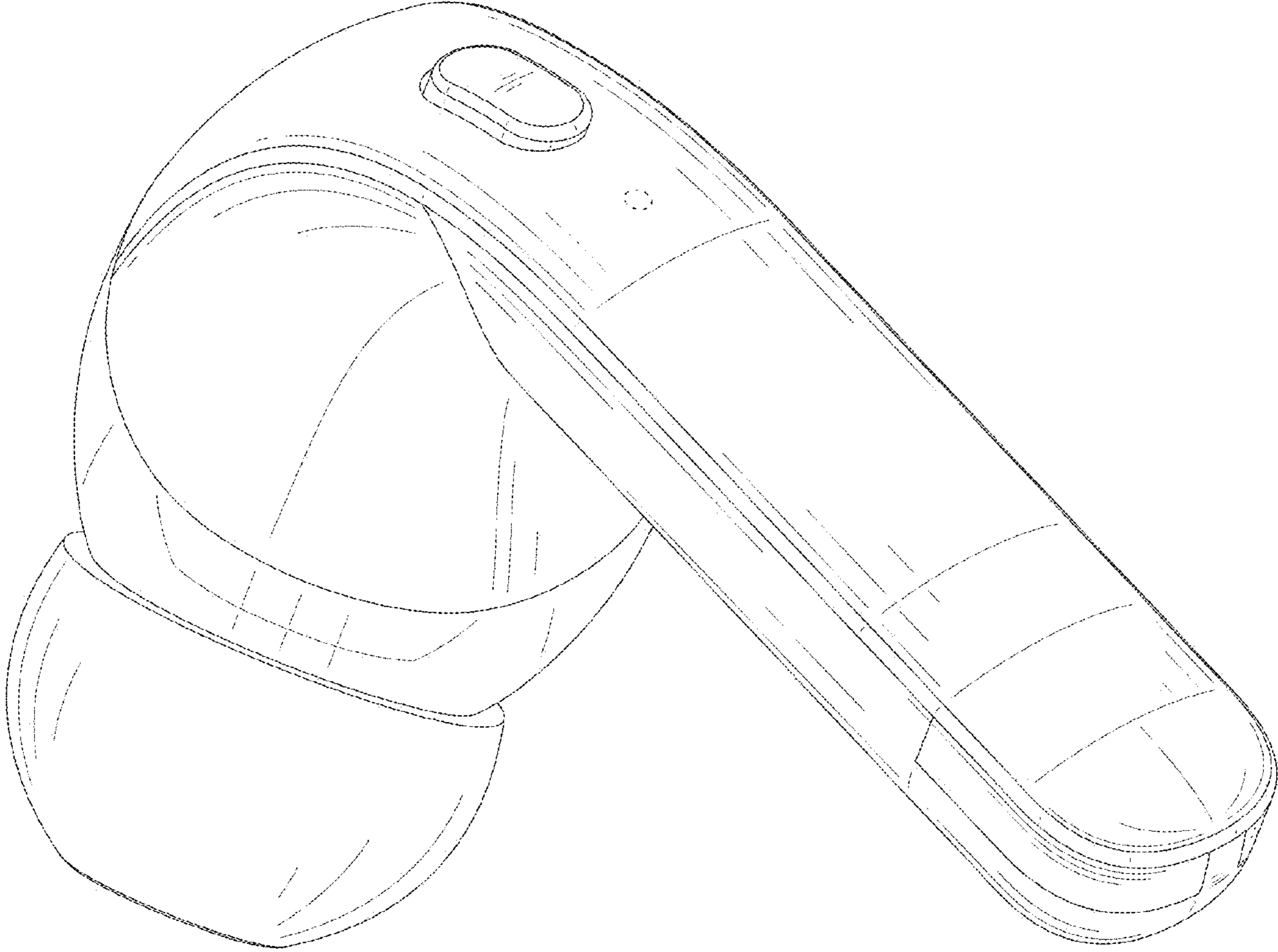


FIG. 1

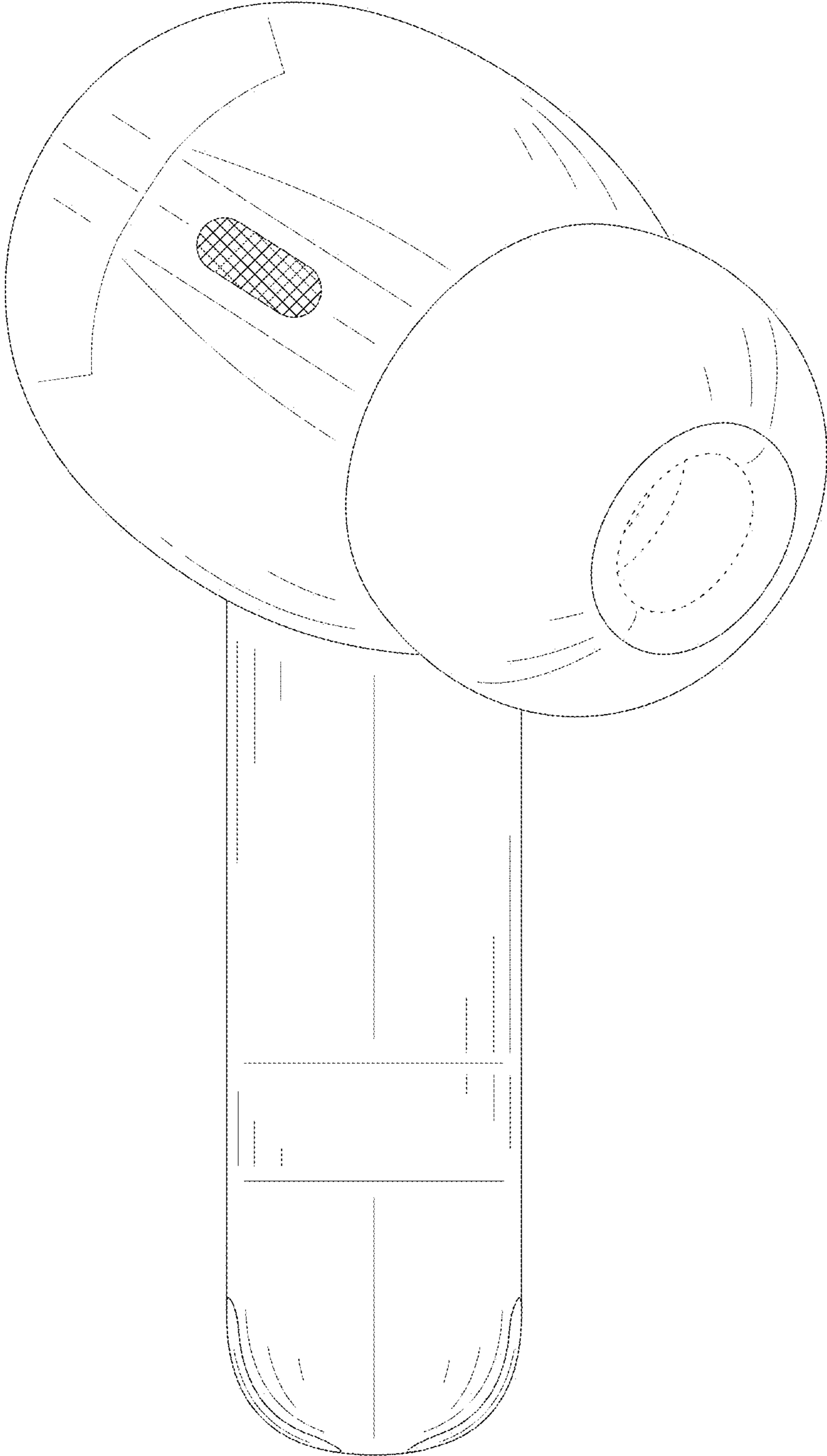


FIG. 2



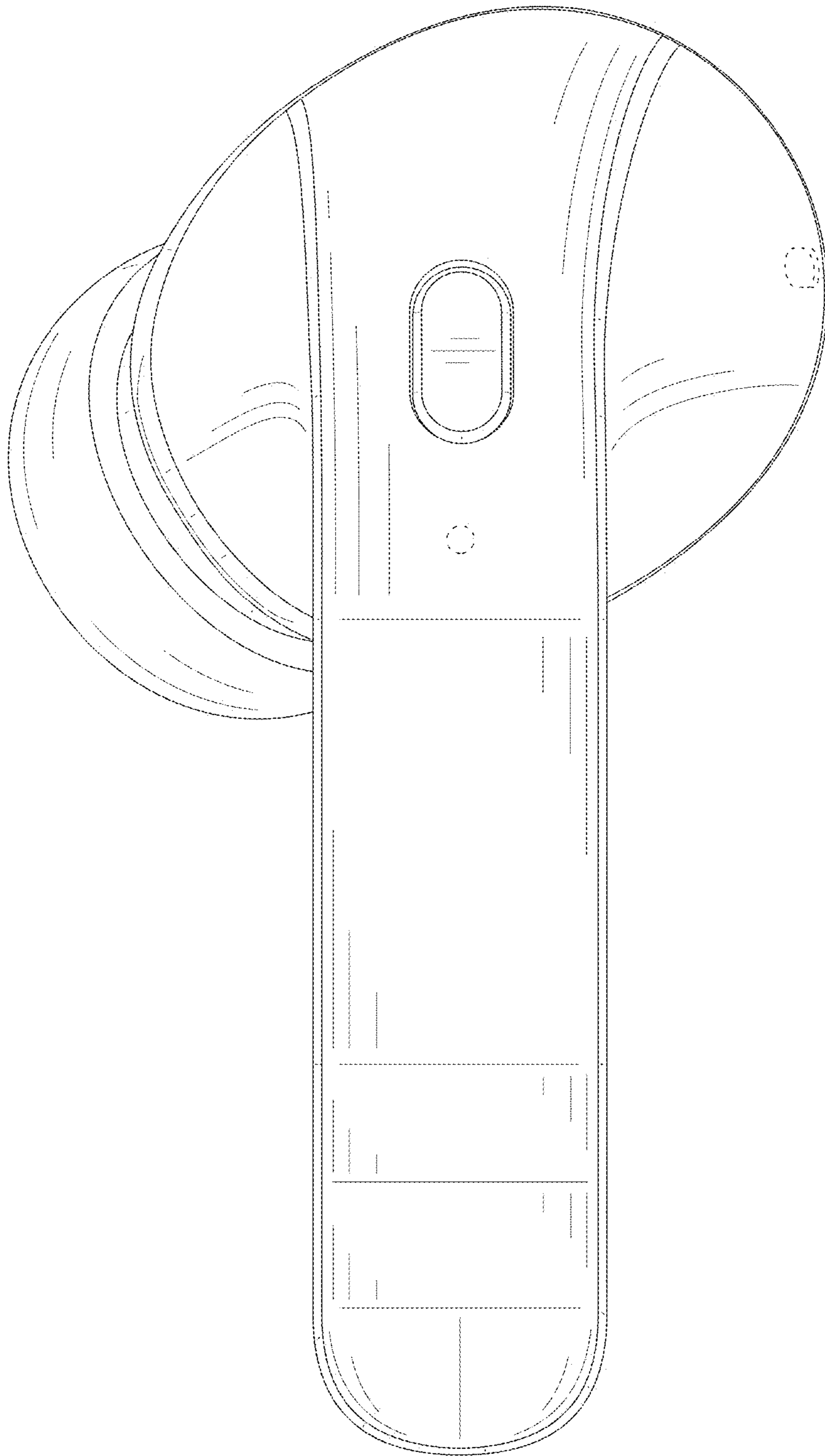


FIG. 3

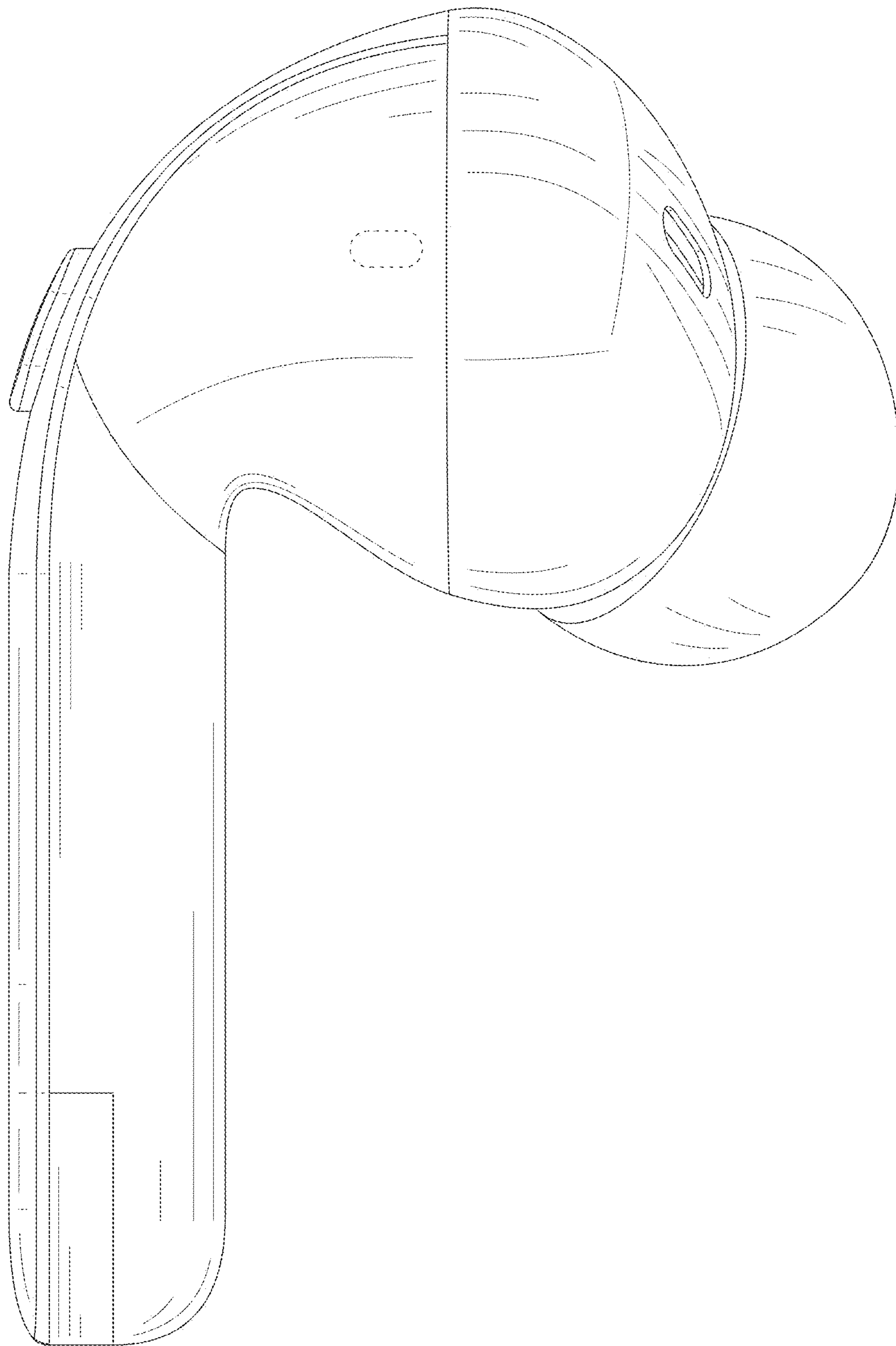


FIG. 4

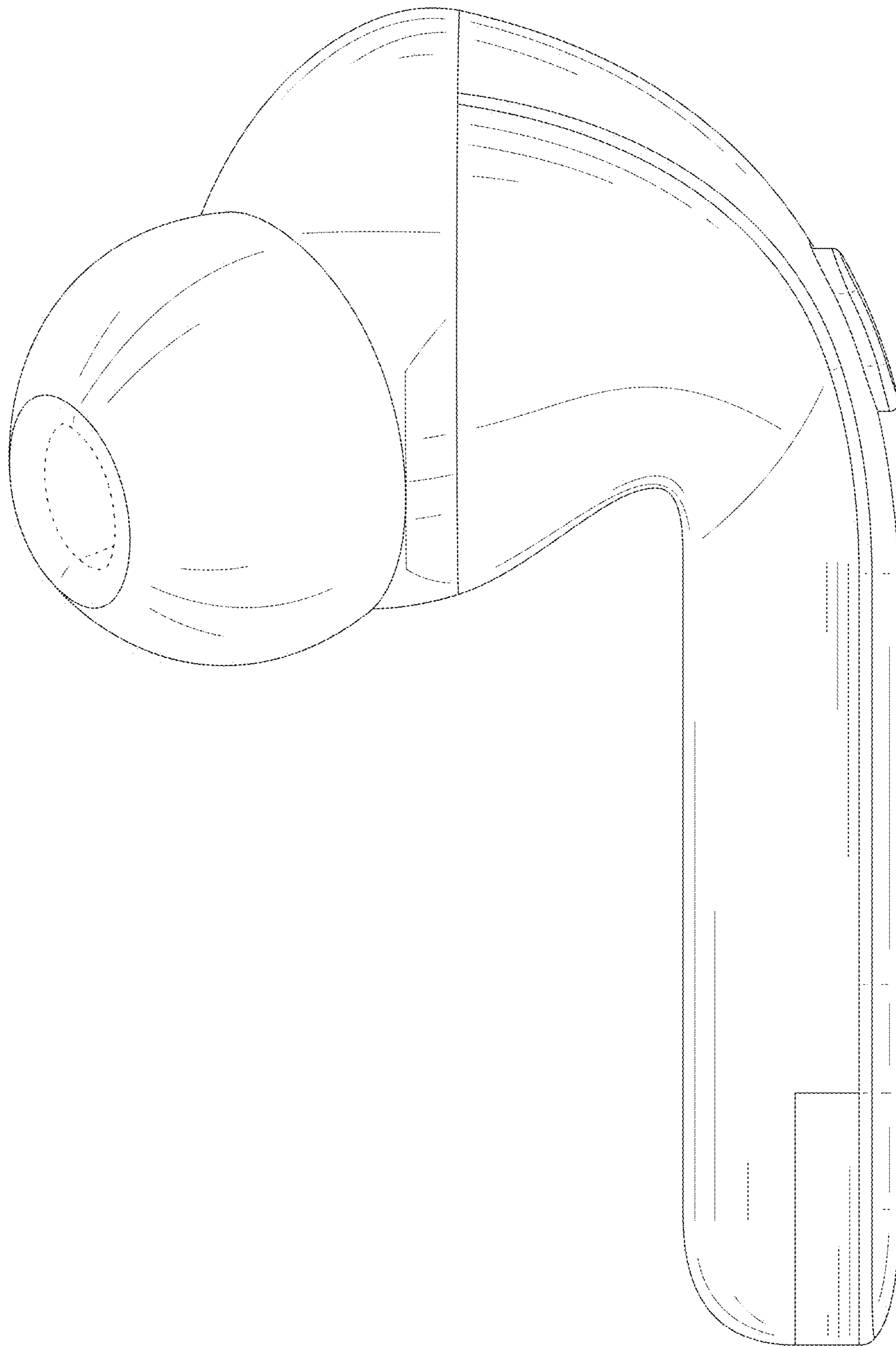


FIG. 5

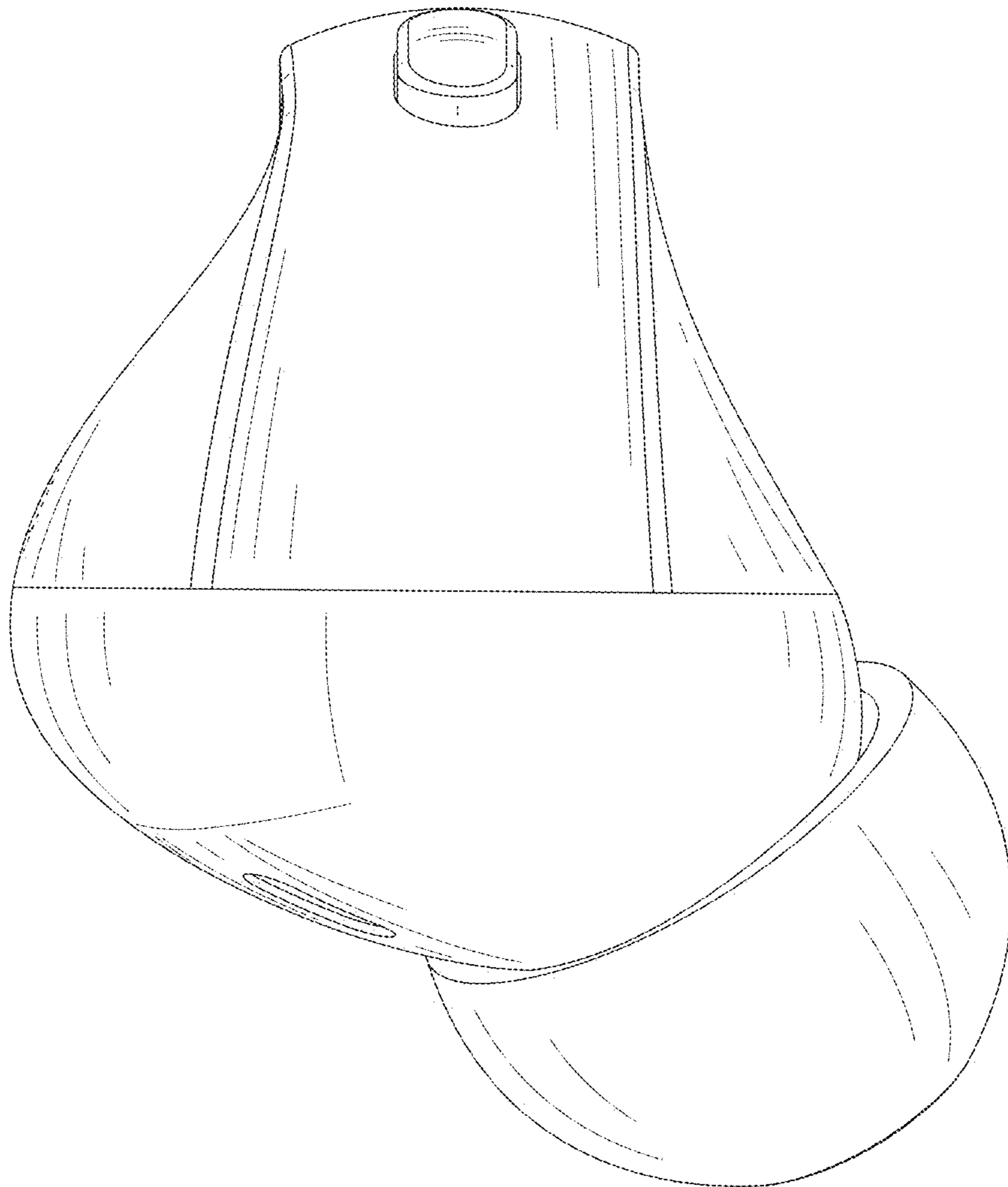


FIG. 6



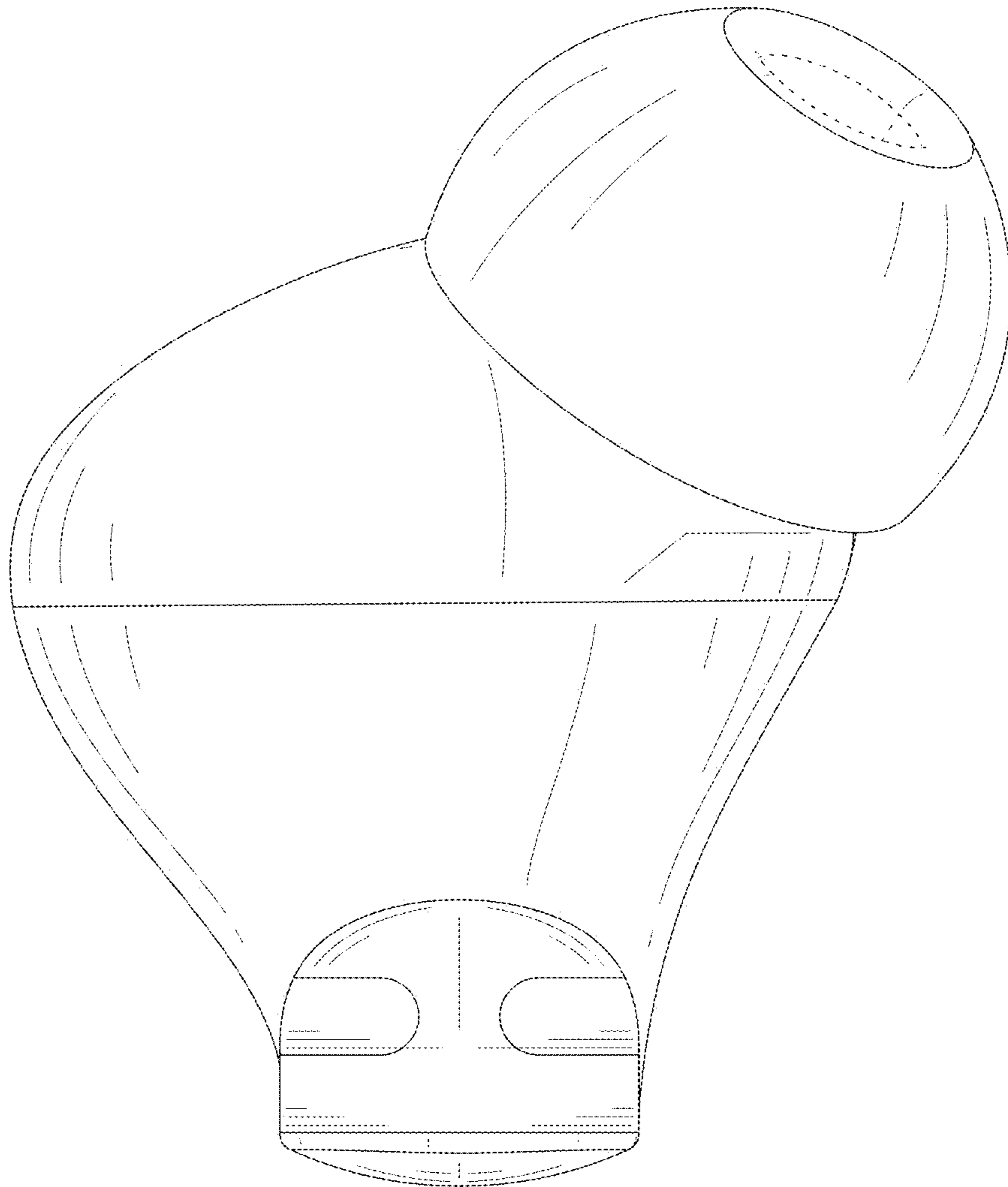


FIG. 7