



US00D989746S

(12) **United States Design Patent**
White

(10) **Patent No.:** **US D989,746 S**
(45) **Date of Patent:** **** Jun. 20, 2023**

(54) **EARBUD**
(71) Applicant: **MILWAUKEE ELECTRIC TOOL CORPORATION**, Brookfield, WI (US)
(72) Inventor: **Kevin D. White**, Milwaukee, WI (US)
(73) Assignee: **MILWAUKEE ELECTRIC TOOL CORPORATION**, Brookfield, WI (US)

(**) Term: **15 Years**

(21) Appl. No.: **29/775,800**

(22) Filed: **Mar. 25, 2021**

(51) **LOC (14) Cl.** **14-01**

(52) **U.S. Cl.**
USPC **D14/223**

(58) **Field of Classification Search**
USPC D14/223, 205; D13/108; D3/274;
D24/174; 128/864-866; 381/380-381,
381/322, 328
CPC H04R 1/10; H04R 25/00; H04R 25/02;
H04R 1/1066; H04R 1/1016; H04R
5/033; H04R 5/0335; H04R 1/105; H04R
1/1058; H04R 1/1091
See application file for complete search history.

(56) **References Cited**

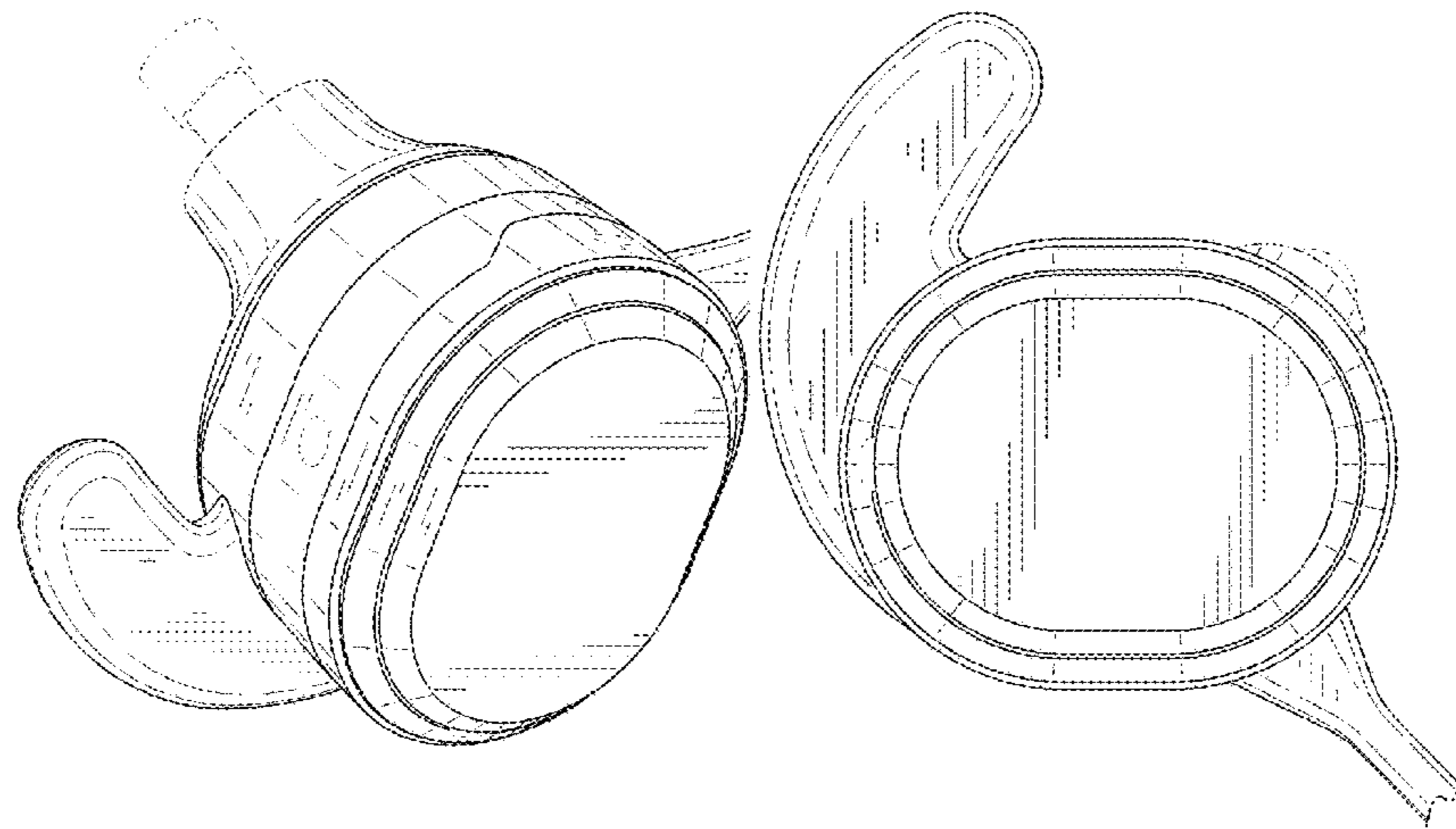
U.S. PATENT DOCUMENTS

6,122,388 A * 9/2000 Feldman H04R 25/652
381/328
D603,378 S 11/2009 Paradise
D705,757 S 5/2014 Yashiro
D725,082 S * 3/2015 Palmborg D14/223
D733,102 S * 6/2015 Palmborg D14/223
D737,251 S 8/2015 Thompson et al.
D742,861 S * 11/2015 Miyake D14/223
D775,609 S 1/2017 Lee et al.
D777,710 S * 1/2017 Palmborg D14/223
D794,611 S 8/2017 Valenzuela et al.
D795,224 S 8/2017 Valenzuela et al.
D798,843 S 10/2017 Valenzuela et al.
D800,097 S 10/2017 Chen
D810,054 S 2/2018 Yuan

D817,309 S 5/2018 Czaniecki et al.
D818,990 S * 5/2018 Tzeng D14/223
D826,211 S * 8/2018 Kim D14/206
10,154,334 B1 * 12/2018 Lin H04R 19/04
D846,532 S 4/2019 Xiao
D858,489 S * 9/2019 Hu D14/223
D862,424 S * 10/2019 You D14/223
D866,532 S 11/2019 Zhang et al.
D870,708 S 12/2019 Lindenberger
D883,257 S * 5/2020 Duddy D14/223
D883,258 S * 5/2020 Wu D14/223
D883,261 S 5/2020 Zhang
D884,681 S 5/2020 Zhang
D892,087 S * 8/2020 Briggs D14/223
D899,405 S * 10/2020 Vaclavik D14/223
D902,184 S * 11/2020 Yang D14/223
10,827,249 B1 * 11/2020 Pine H04R 1/1041
D908,667 S * 1/2021 He D14/223
D912,016 S * 3/2021 Ando D14/223
D912,647 S * 3/2021 Williamson D14/223
D912,648 S * 3/2021 Williamson D14/223
D920,288 S * 5/2021 Vautour D14/223
D924,849 S * 7/2021 Yang D14/223
D926,162 S * 7/2021 Dang D14/223
D926,163 S * 7/2021 Williamson D14/223
D928,742 S * 8/2021 Liu D14/223
D930,617 S * 9/2021 Tanaka D14/223
D954,026 S * 6/2022 Sasaki D14/223
D955,369 S * 6/2022 Zhang D14/223
D959,411 S * 8/2022 Ando D14/223
D961,556 S * 8/2022 Hong D14/223
D963,612 S * 9/2022 Lin D14/223
D965,564 S * 10/2022 Vaerum D14/223
2020/0374632 A1 * 11/2020 Wang H04R 1/1016
2021/0289280 A1 * 9/2021 Ko H04R 1/1075
2022/0177981 A1 * 6/2022 Hodges C12Q 1/6825
2022/0303657 A1 * 9/2022 Unruh H04R 1/1075

FOREIGN PATENT DOCUMENTS

CN 300961061D 7/2009
CN 301176334 S 4/2010
CN 302164886 S 11/2012
CN 302650392 S 11/2013
CN 302650394 S 11/2013
CN 302709761 S 1/2014
CN 302864816 S 7/2014
CN 303655061 S 4/2016
CN 303805303 S 8/2016
CN 303877219 S 10/2016
CN 304138814 S 5/2017
CN 304158124 S 6/2017
CN 304332852 S 10/2017



CN	304482688	S	1/2018
CN	304545996	S	3/2018
CN	304619414	S	5/2018
CN	304794542	S	8/2018
CN	304437710	S	10/2018
CN	304857674	S	10/2018
CN	304874572	S	11/2018
CN	304912914	S	11/2018
CN	304962541	S	12/2018
CN	304967846	S	12/2018
CN	305098243	S	4/2019
CN	305098244	S	4/2019
CN	305098245	S	4/2019
CN	305103791	S	4/2019
CN	305202971	S	6/2019
CN	305210430	S	6/2019
CN	305296633	S	8/2019
CN	305316699	S	8/2019
CN	305412671	S	11/2019
CN	305530290	S	1/2020
CN	305580958	S	1/2020
CN	305706818	S	4/2020
CN	305715441	S	4/2020
CN	305758442	S	5/2020
EM	001148290-0001		8/2009
EM	001148290-0002		8/2009
EM	002058628-0004		3/2012
EM	002344499-0001		11/2013
EM	002344499-0002		11/2013
EM	002344499-0003		11/2013
EM	002344499-0004		11/2013
EM	003063429-0001		7/2016
EM	003063429-0002		7/2016
EM	003342583-0001		8/2016
EM	003241082-0001		9/2016
EM	003702190-0001		4/2017
EM	002750828-0008		5/2017
EM	004059293-0001		7/2017
EM	004059293-0002		7/2017
EM	004564839-0001		1/2018
EM	004565331-0001		1/2018
EM	004675320-0002		2/2018
EM	004675320-0003		2/2018
EM	004746345-0001		5/2018
EM	004746345-0002		5/2018
EM	005834009-0001		11/2018
EM	005814449-0001		1/2019
EM	005814449-0002		1/2019
EM	006402434-0001		5/2019
EM	006652590-0001		8/2019
EM	006581096-0001		9/2019
EM	006581096-0002		9/2019
EM	006581096-0003		9/2019
EM	006581096-0004		9/2019
EM	006581112-0001		9/2019
EM	006865119-0002		9/2019
EM	006772273-0002		10/2019
EM	007341722-0001		12/2019
EM	007341722-0002		12/2019
EM	007341722-0003		12/2019
EM	007343660-0001		12/2019
EM	007474283-0001		1/2020
EM	007538657-0002		2/2020
EM	007565015-0001		2/2020
EM	007725007-0001		3/2020
EM	007735212-0001		3/2020
EM	001476329-0001		4/2020
EM	007728241-0001		4/2020
EM	008656482-0001	*	8/2021
EM	008656482-0003	*	8/2021
EM	008656482-0005	*	8/2021
WO	WO DM101367-1		6/2018
WO	WO DM201271-1		6/2019
WO	WO DM202472-1		9/2019

WO	WO DM202815-1	9/2019
WO	WO DM203969-1	11/2019
WO	WO DM203843-1	12/2019
WO	WO DM204864-2	12/2019
WO	WO DM206755-2	4/2020
WO	WO DM206755-3	4/2020

OTHER PUBLICATIONS

<https://www.pcmag.com/reviews/jaybird-run-xt>.
https://www.bose.com/en_us/support/products/bose_headphones_support/bose_in_ear_headphones_support/soundport-free-wireless.html.

* cited by examiner

Primary Examiner — Paula Allen Greene
 (74) *Attorney, Agent, or Firm* — Michael Best & Friedrich LLP

(57) CLAIM

I claim the ornamental design for an earbud, as shown and described.

DESCRIPTION

FIG. 1 is a top perspective view of a first embodiment of an earbud showing the new design;
 FIG. 2 is a bottom perspective view of the earbud of FIG. 1.
 FIG. 3 is a left-side view of the earbud of FIG. 1.
 FIG. 4 is a right-side view of the earbud of FIG. 1.
 FIG. 5 is a rear view of the earbud of FIG. 1.
 FIG. 6 is a front view of the earbud of FIG. 1.
 FIG. 7 is a top view of the earbud of FIG. 1.
 FIG. 8 is a bottom view of the earbud of FIG. 1.
 FIG. 9 is a top perspective view of a second embodiment of an earbud showing the new design;
 FIG. 10 is a bottom perspective view of the earbud of FIG. 9.
 FIG. 11 is a left-side view of the earbud of FIG. 9.
 FIG. 12 is a right-side view of the earbud of FIG. 9.
 FIG. 13 is a rear view of the earbud of FIG. 9.
 FIG. 14 is a front view of the earbud of FIG. 9.
 FIG. 15 is a top view of the earbud of FIG. 9.
 FIG. 16 is a bottom view of the earbud of FIG. 9.
 FIG. 17 is a top perspective view of a third embodiment of an earbud showing the new design;
 FIG. 18 is a bottom perspective view of the earbud of FIG. 17.
 FIG. 19 is a left-side view of the earbud of FIG. 17.
 FIG. 20 is a right-side view of the earbud of FIG. 17.
 FIG. 21 is a rear view of the earbud of FIG. 17.
 FIG. 22 is a front view of the earbud of FIG. 17.
 FIG. 23 is a top view of the earbud of FIG. 17; and,
 FIG. 24 is a bottom view of the earbud of FIG. 17.
 The dash-dash broken lines represent portions of the earbud that form no part of the claimed design. The dash-dot broken lines represent a boundary of the claimed design and form no part of the claimed design.
 The cord is drawn broken away for ease of illustration.

1 Claim, 12 Drawing Sheets

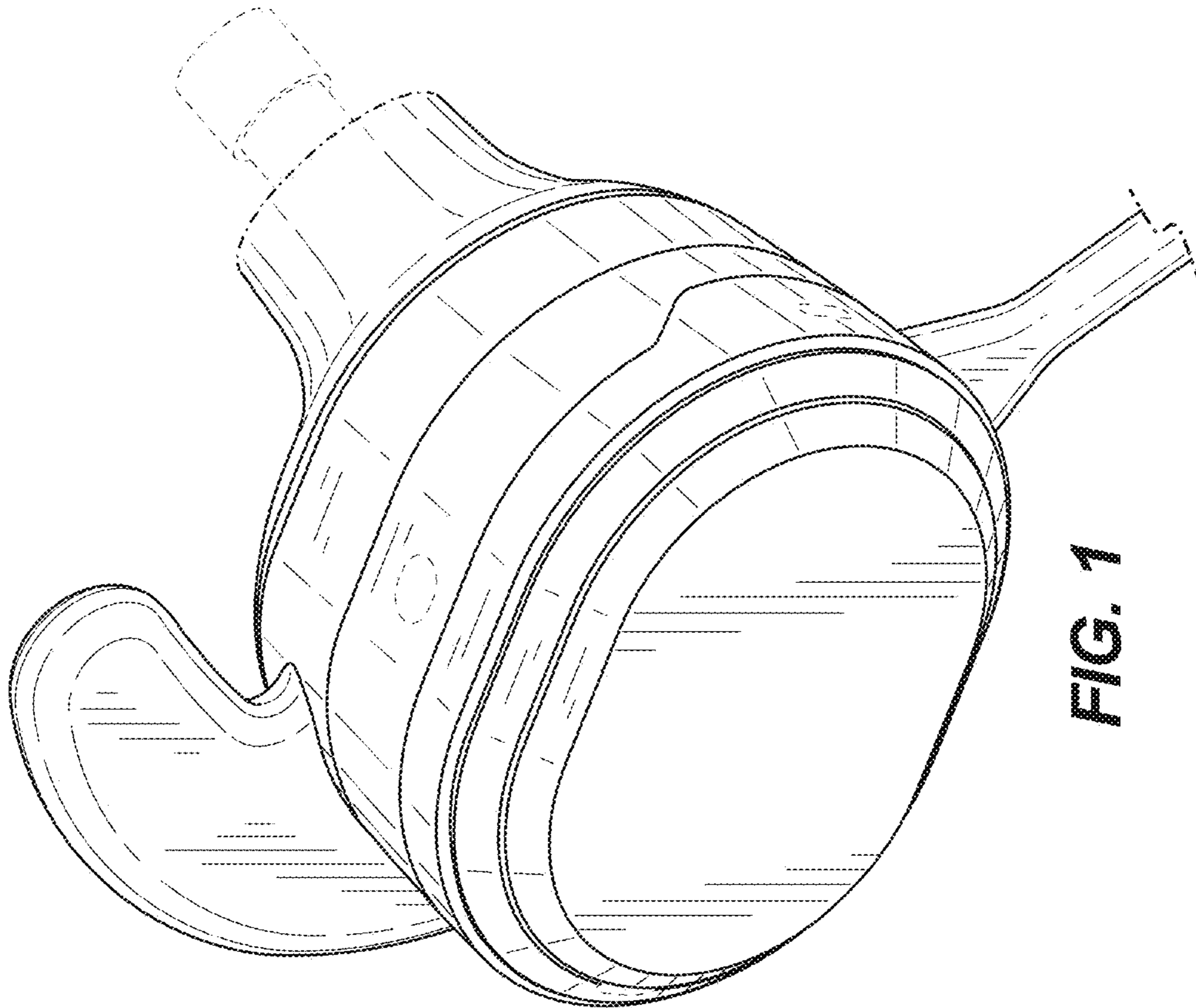


FIG. 1

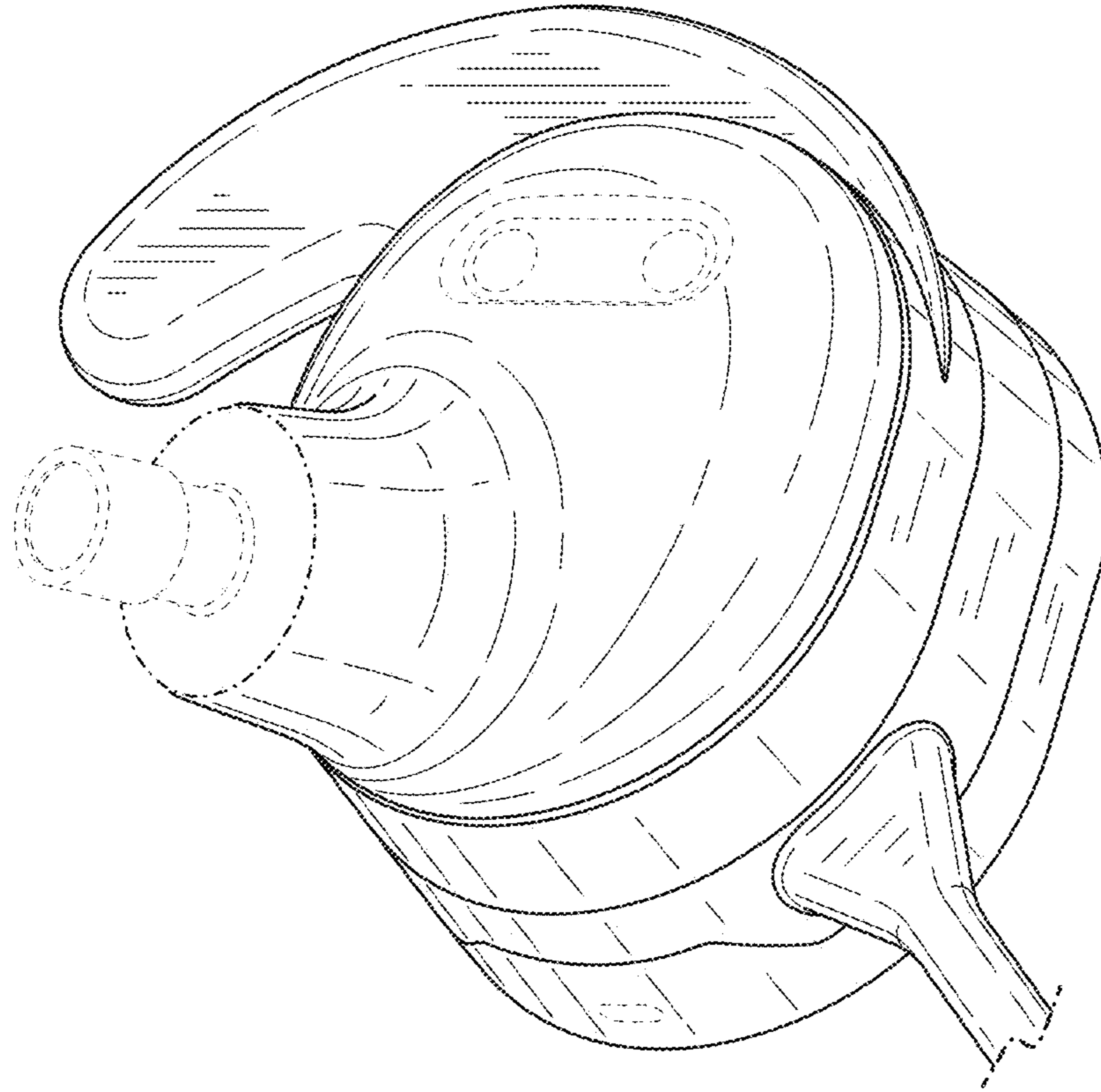


FIG. 2

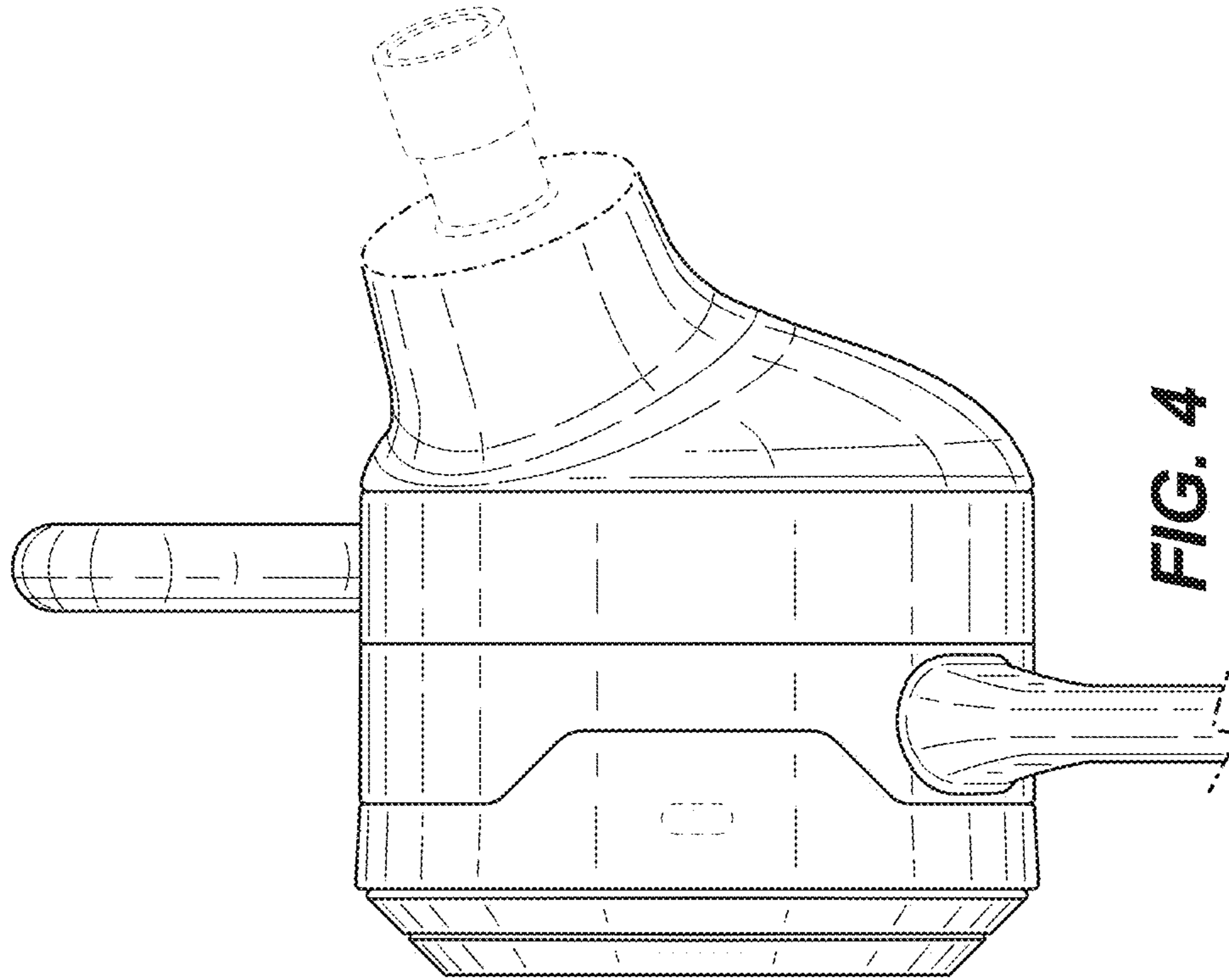


FIG. 4

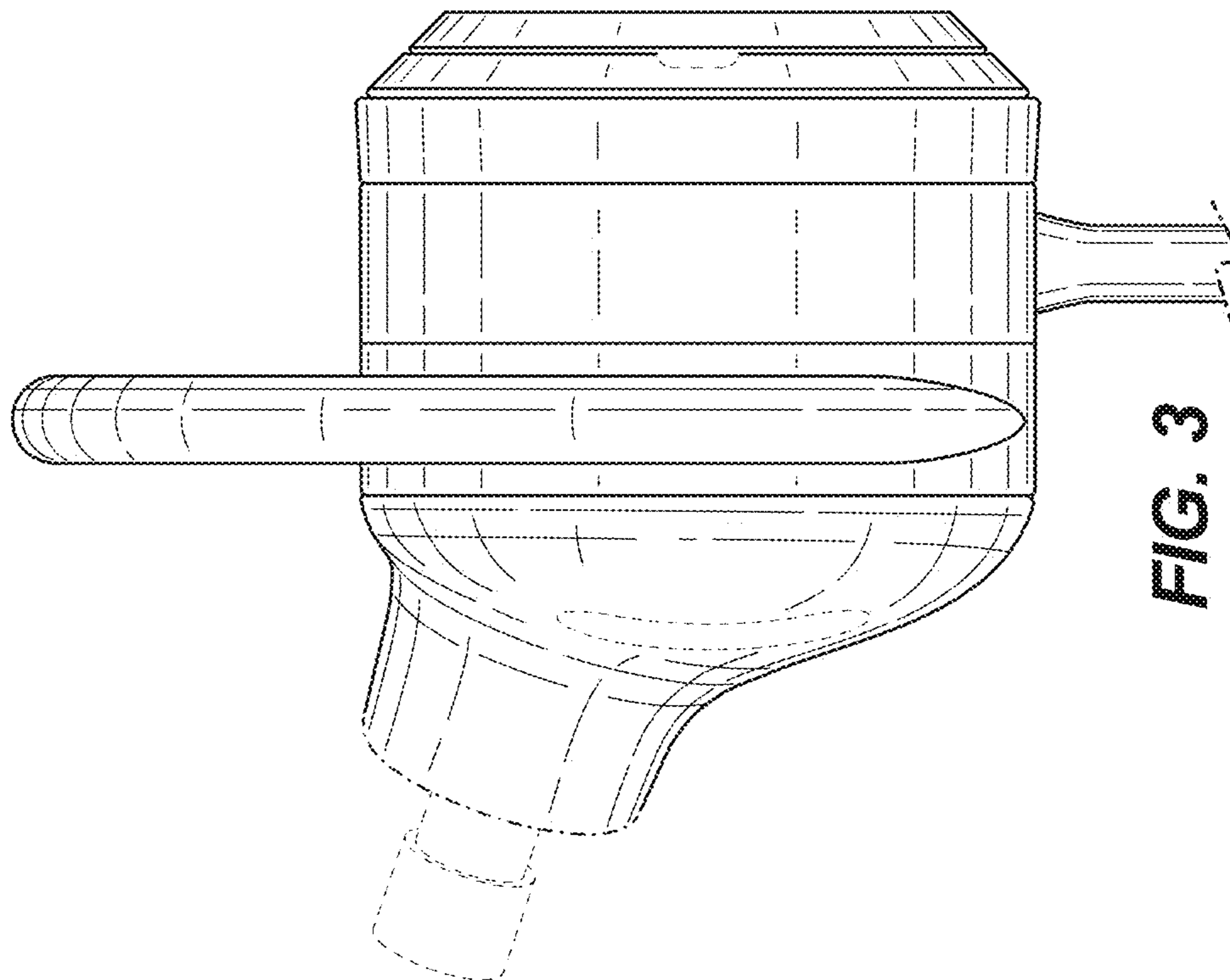


FIG. 3

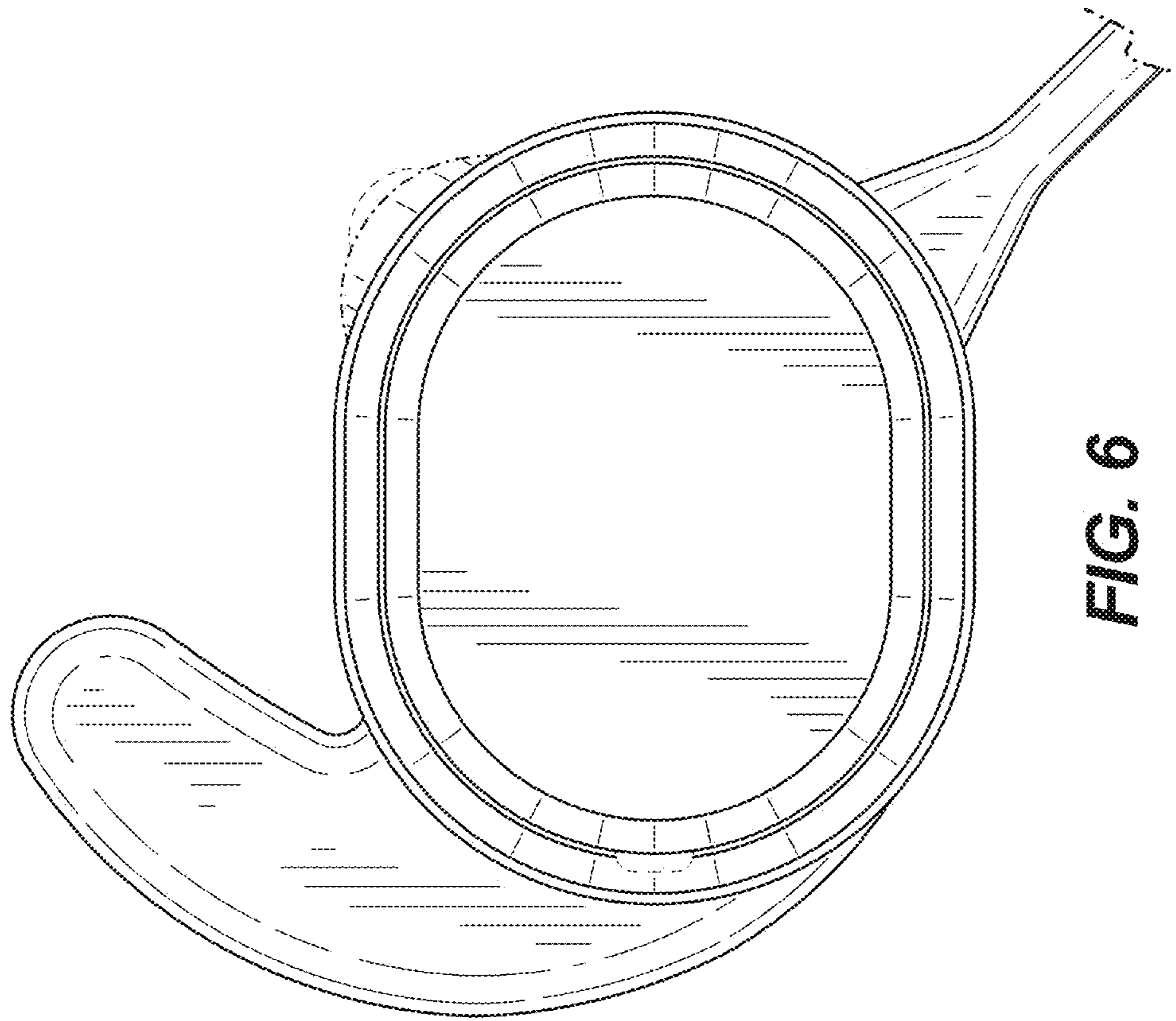


FIG. 6

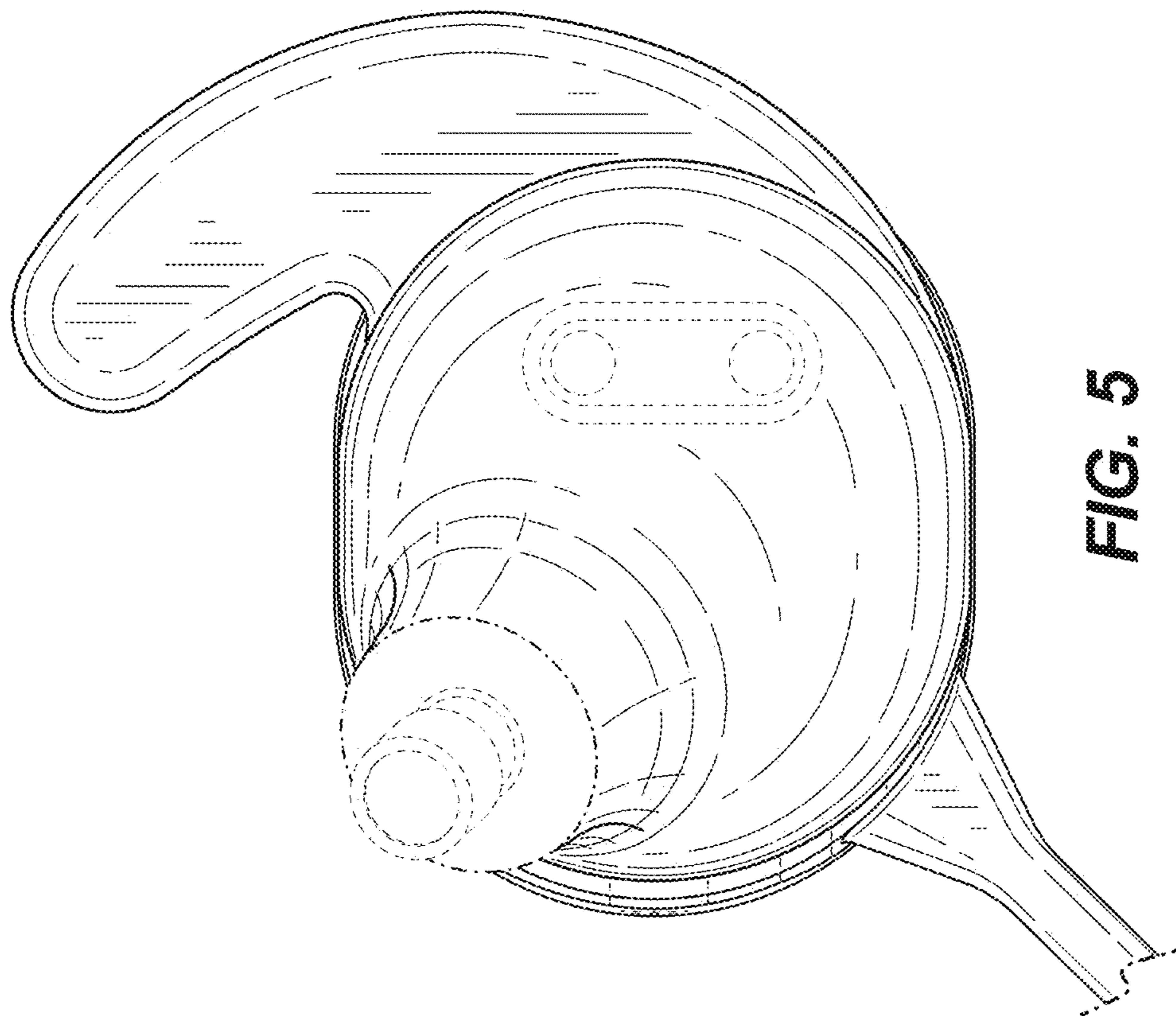


FIG. 5

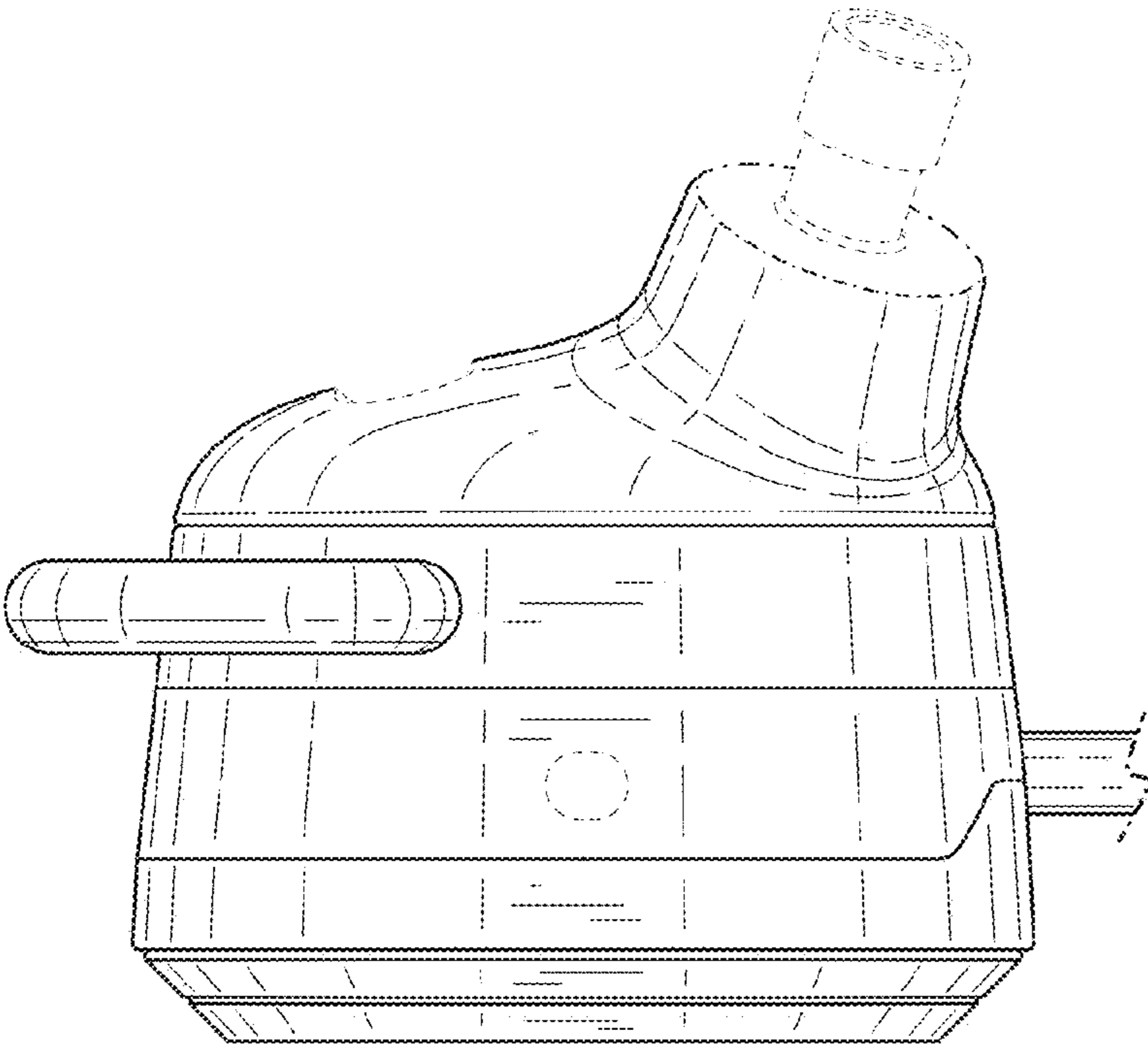


FIG. 7

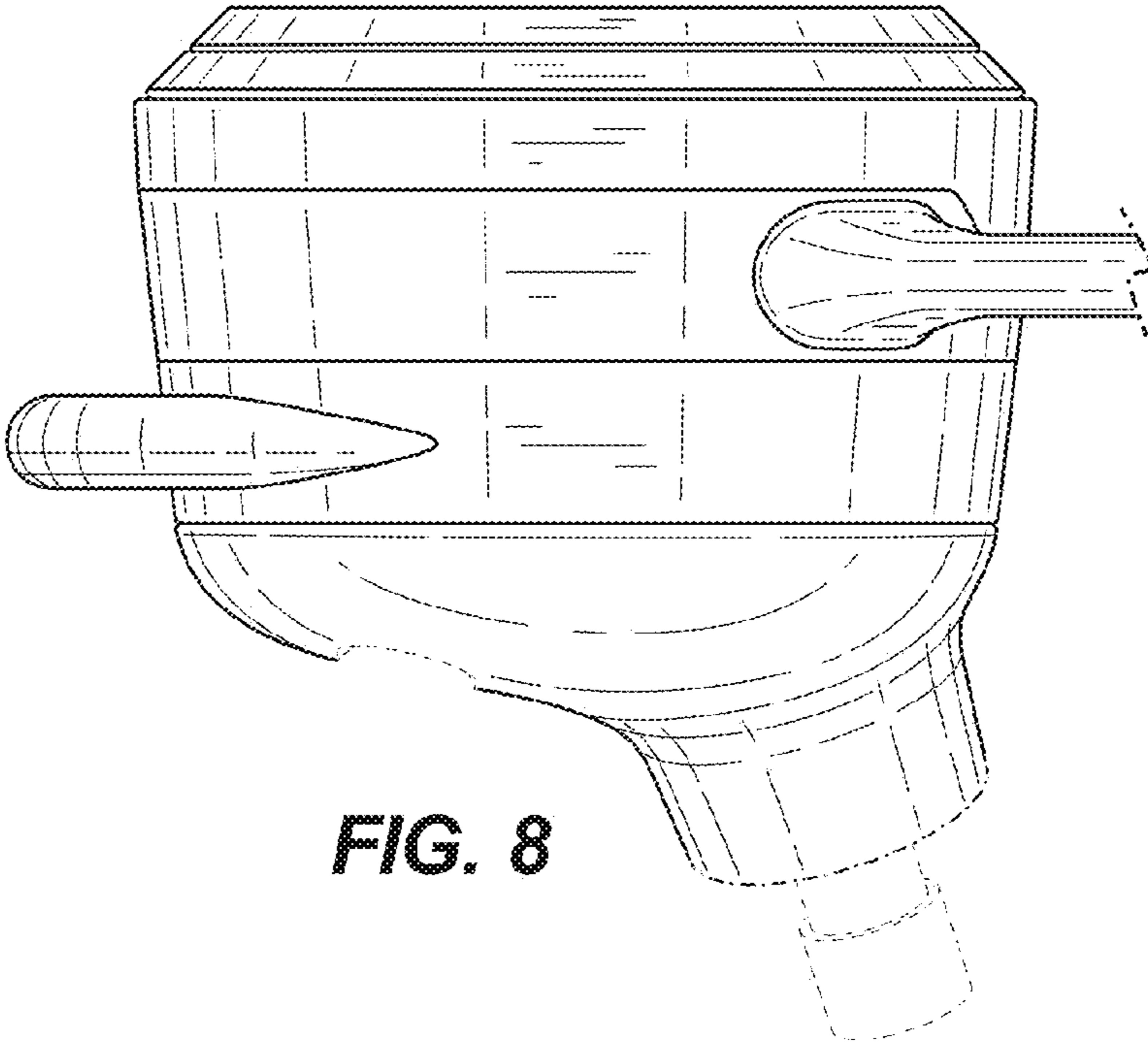


FIG. 8

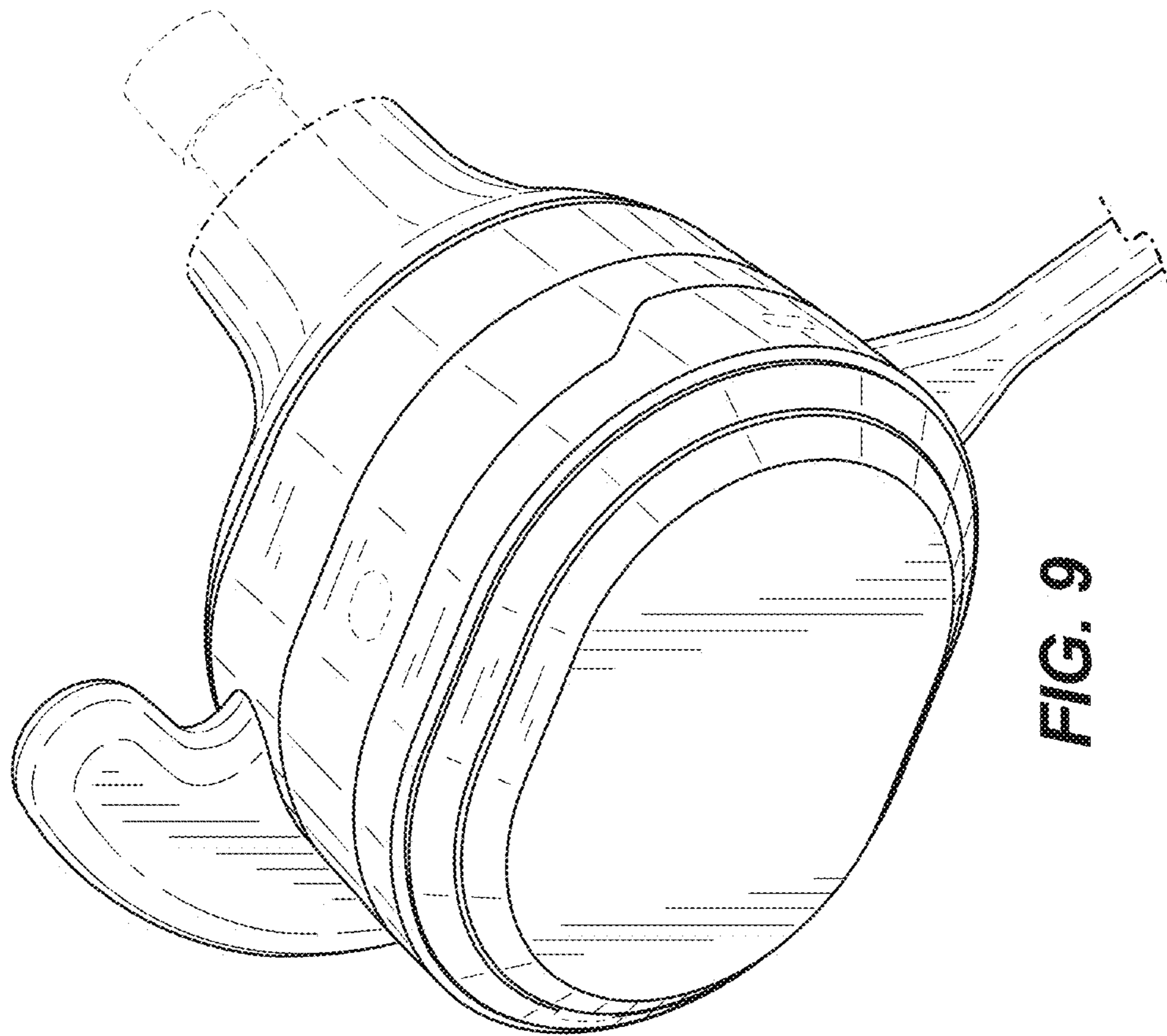


FIG. 9

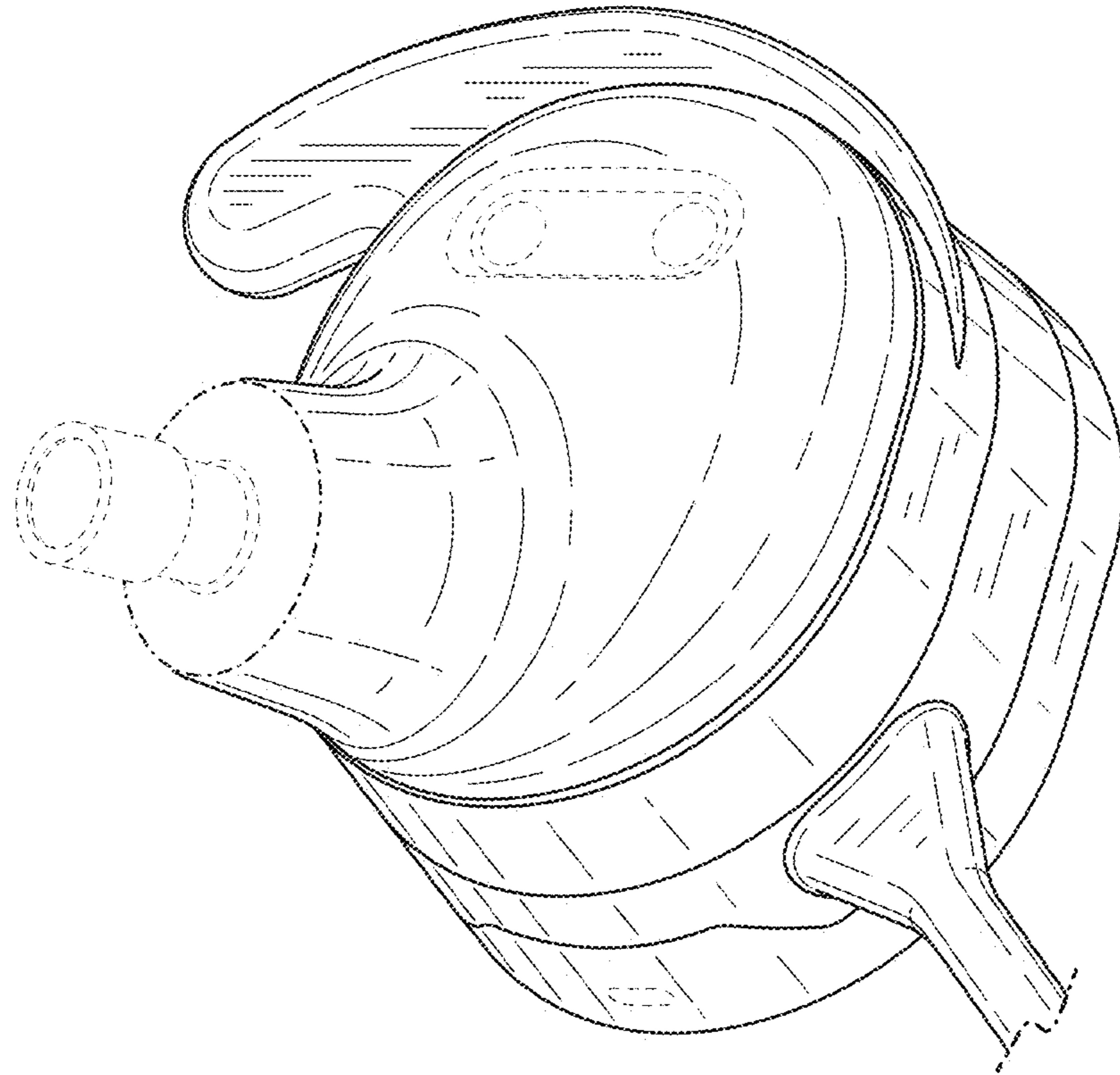


FIG. 10

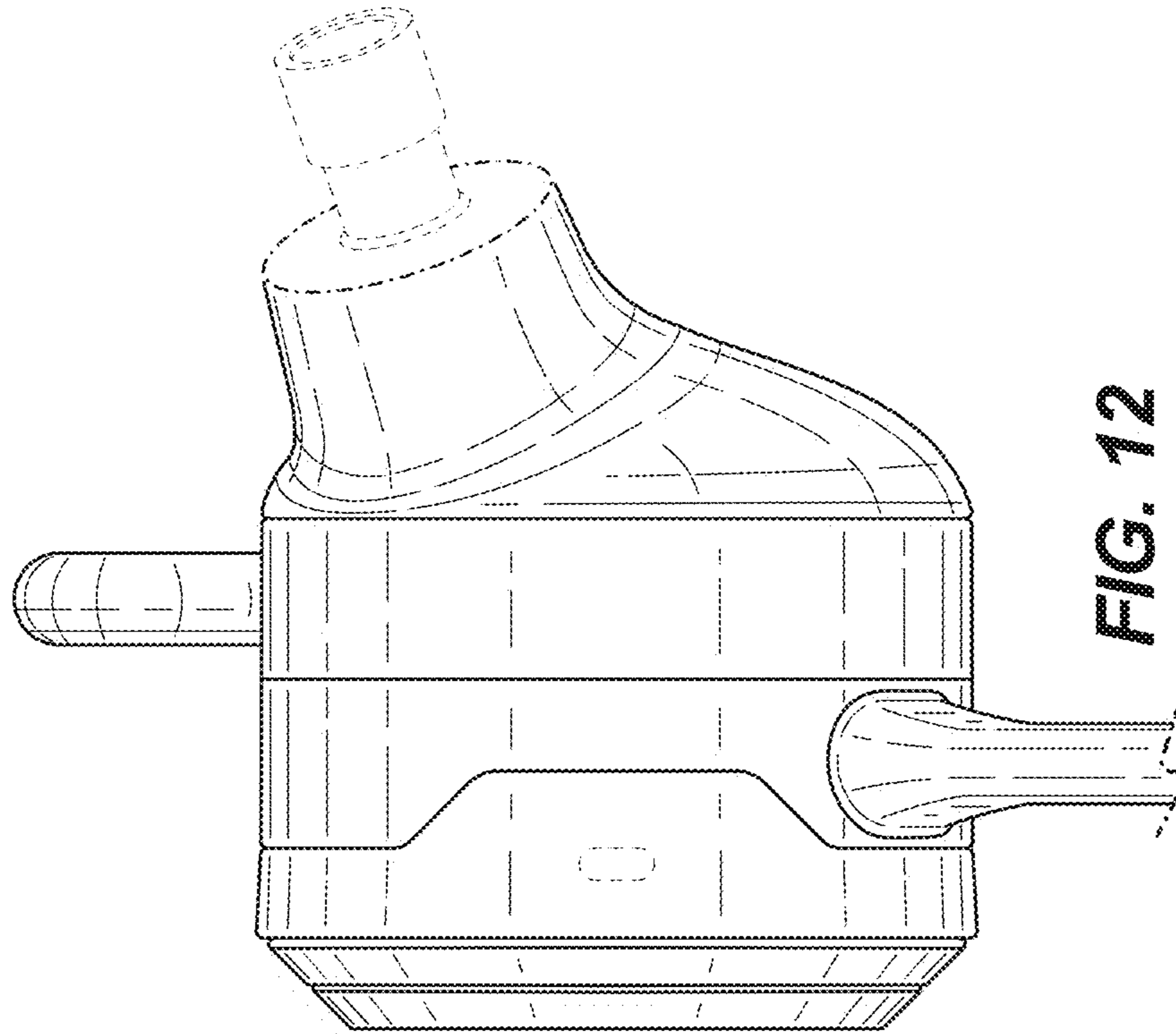


FIG. 12

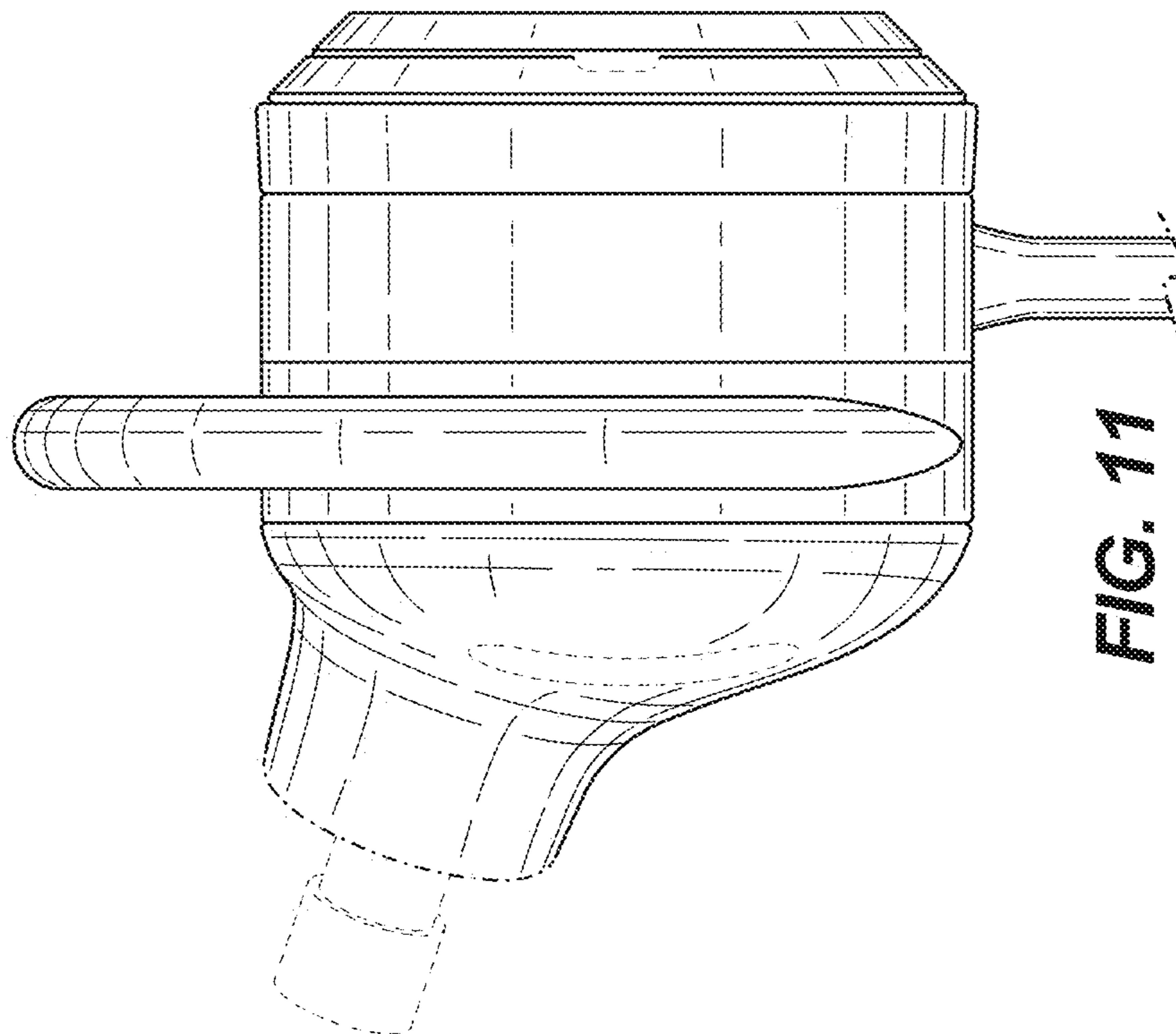


FIG. 11

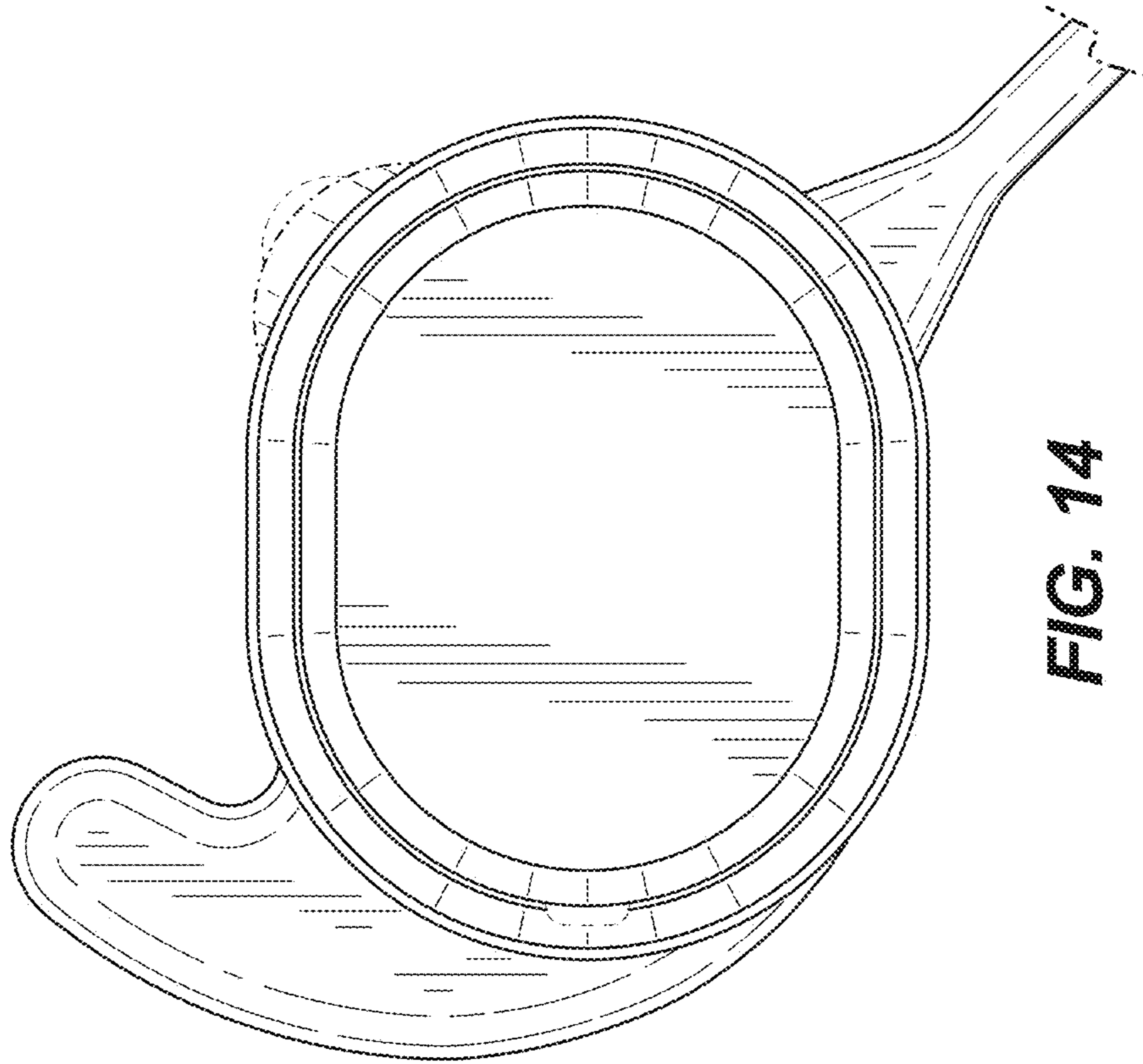


FIG. 14

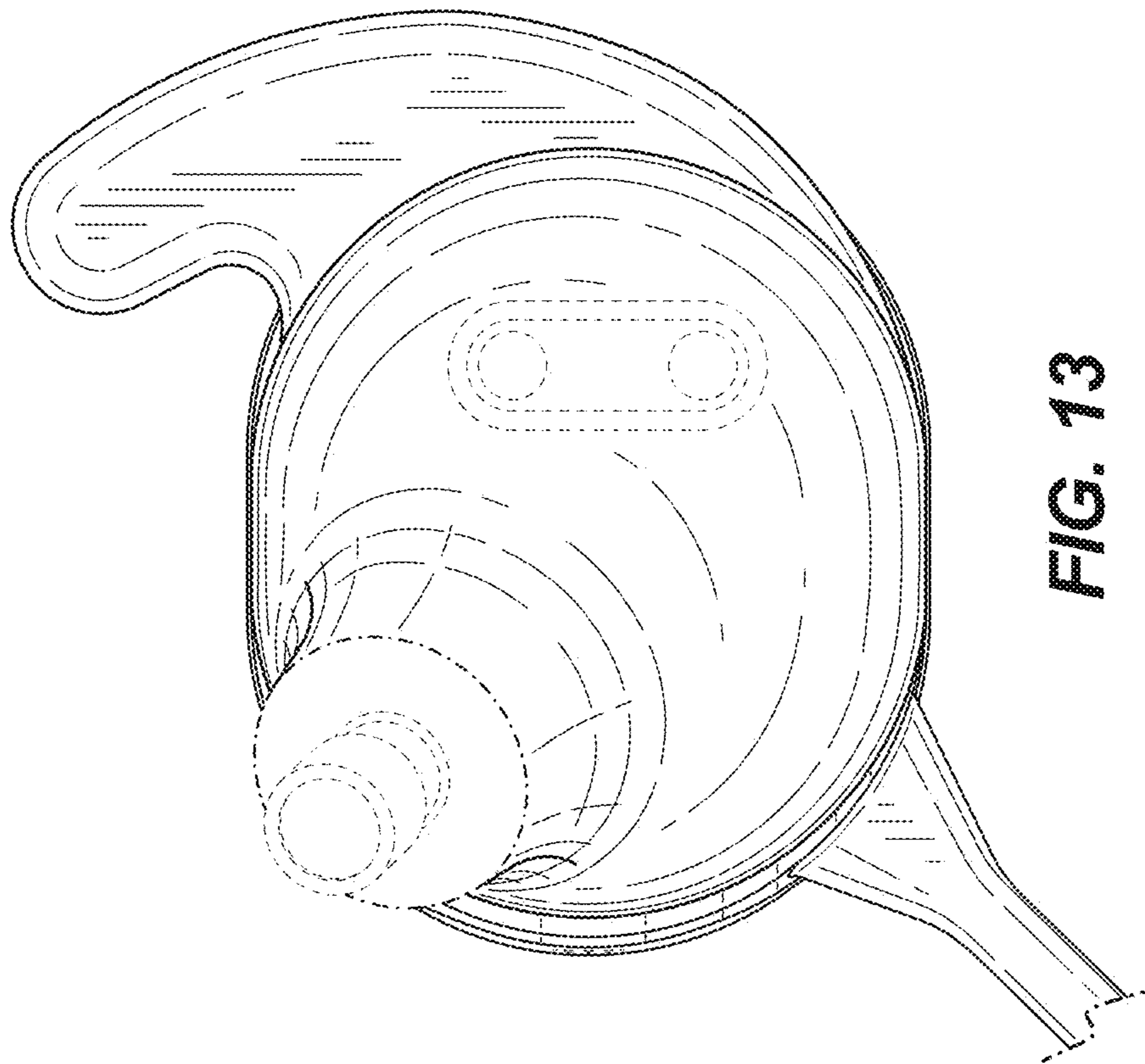


FIG. 13

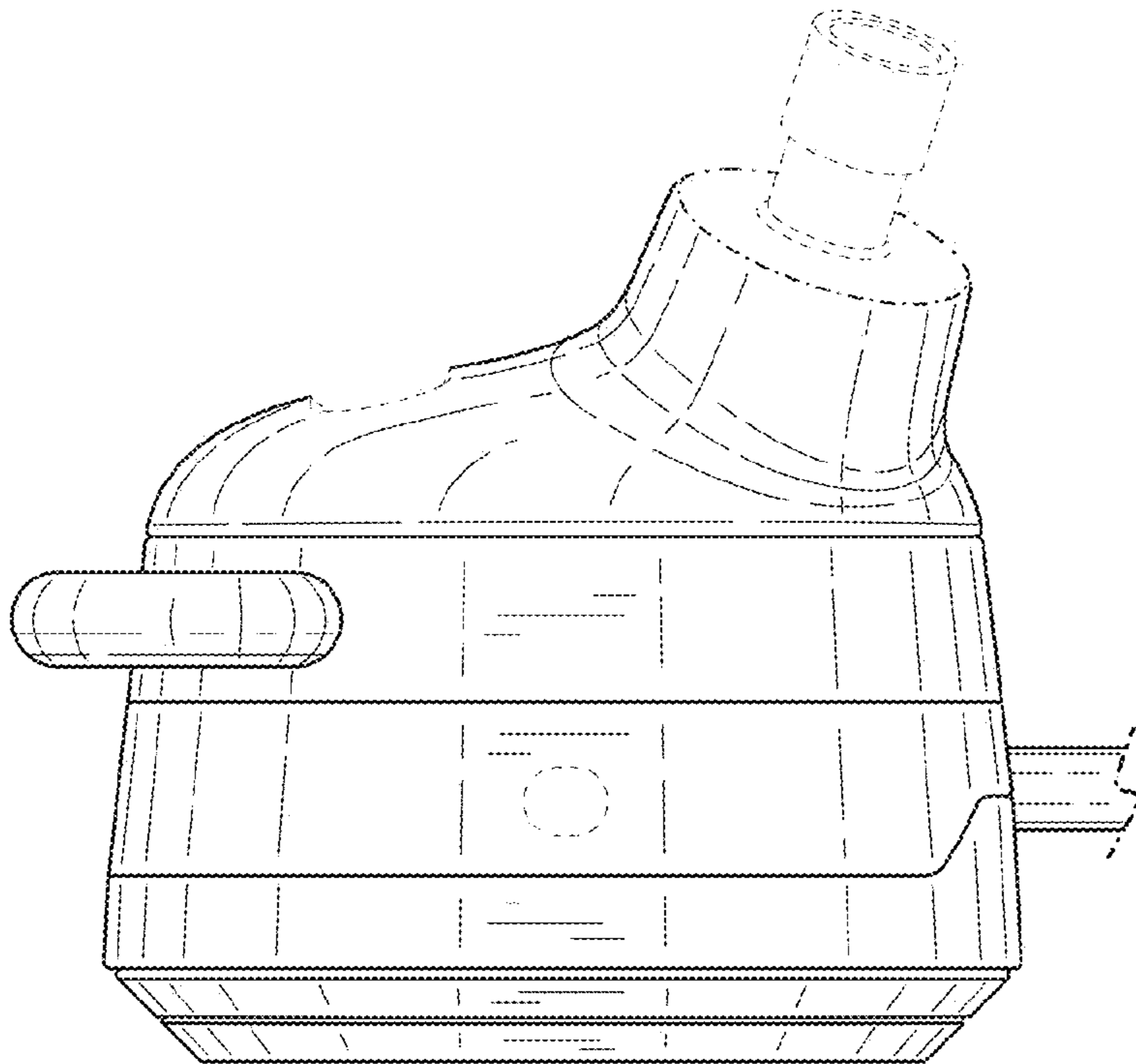


FIG. 15

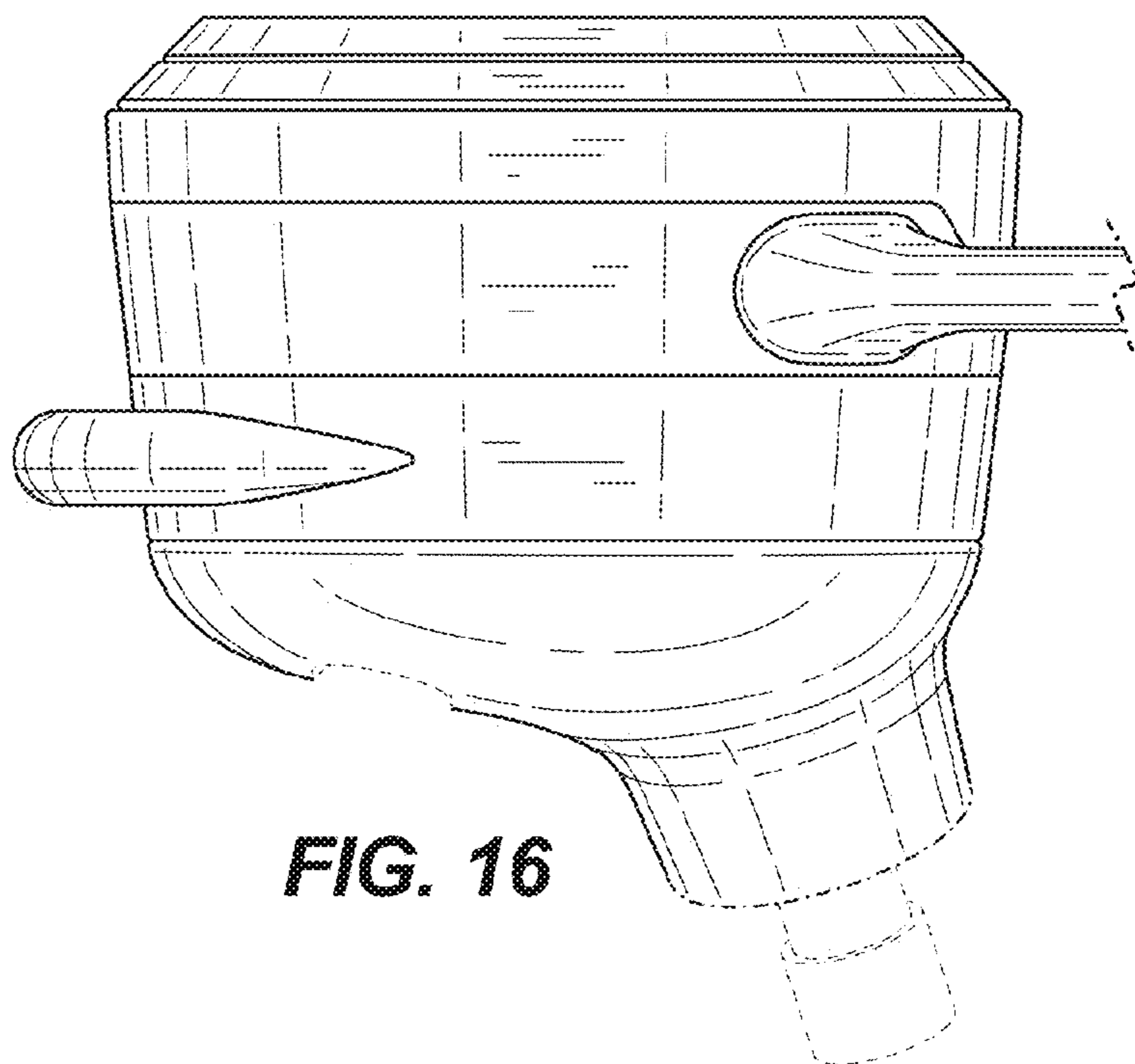


FIG. 16

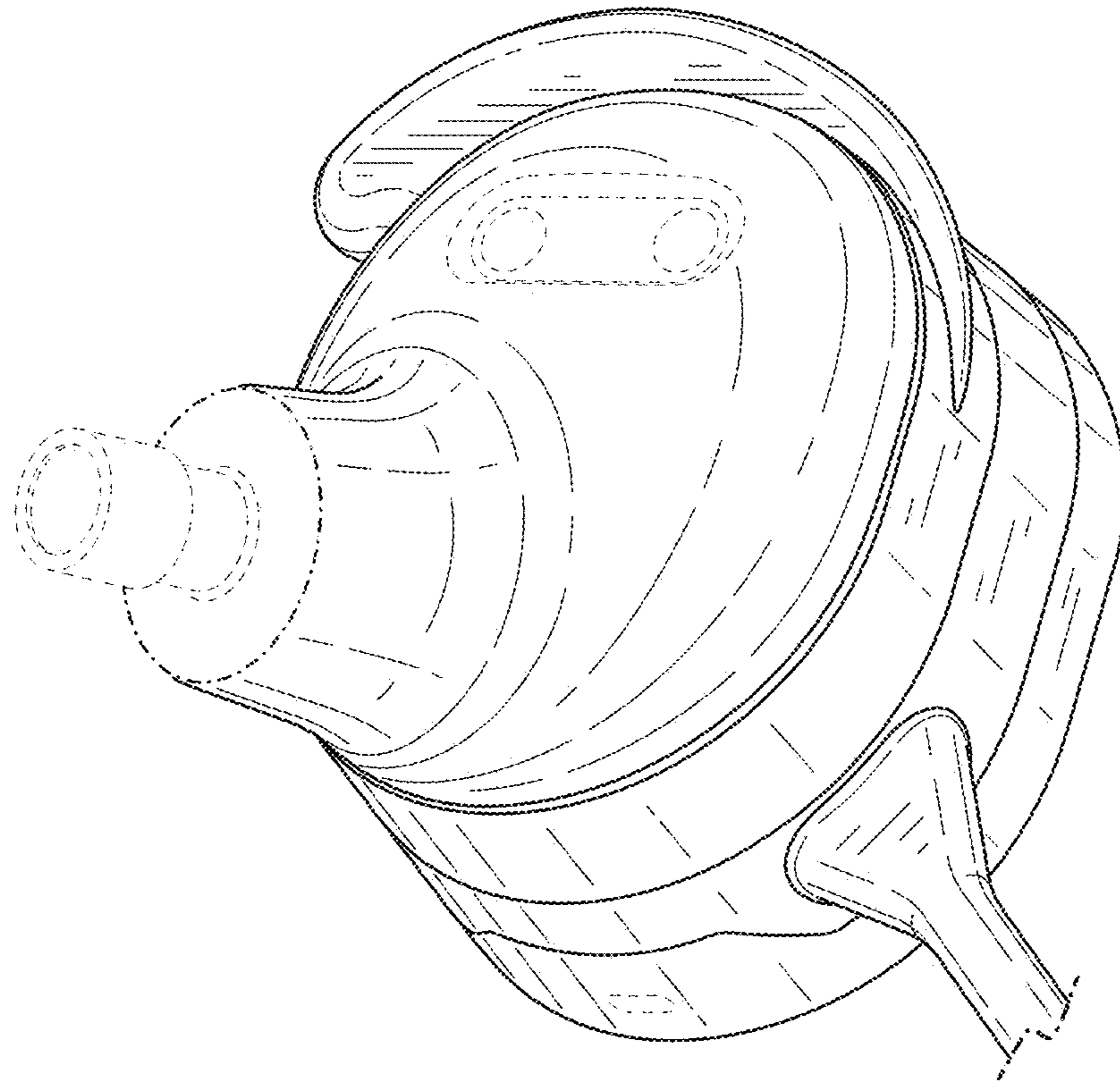


FIG. 17

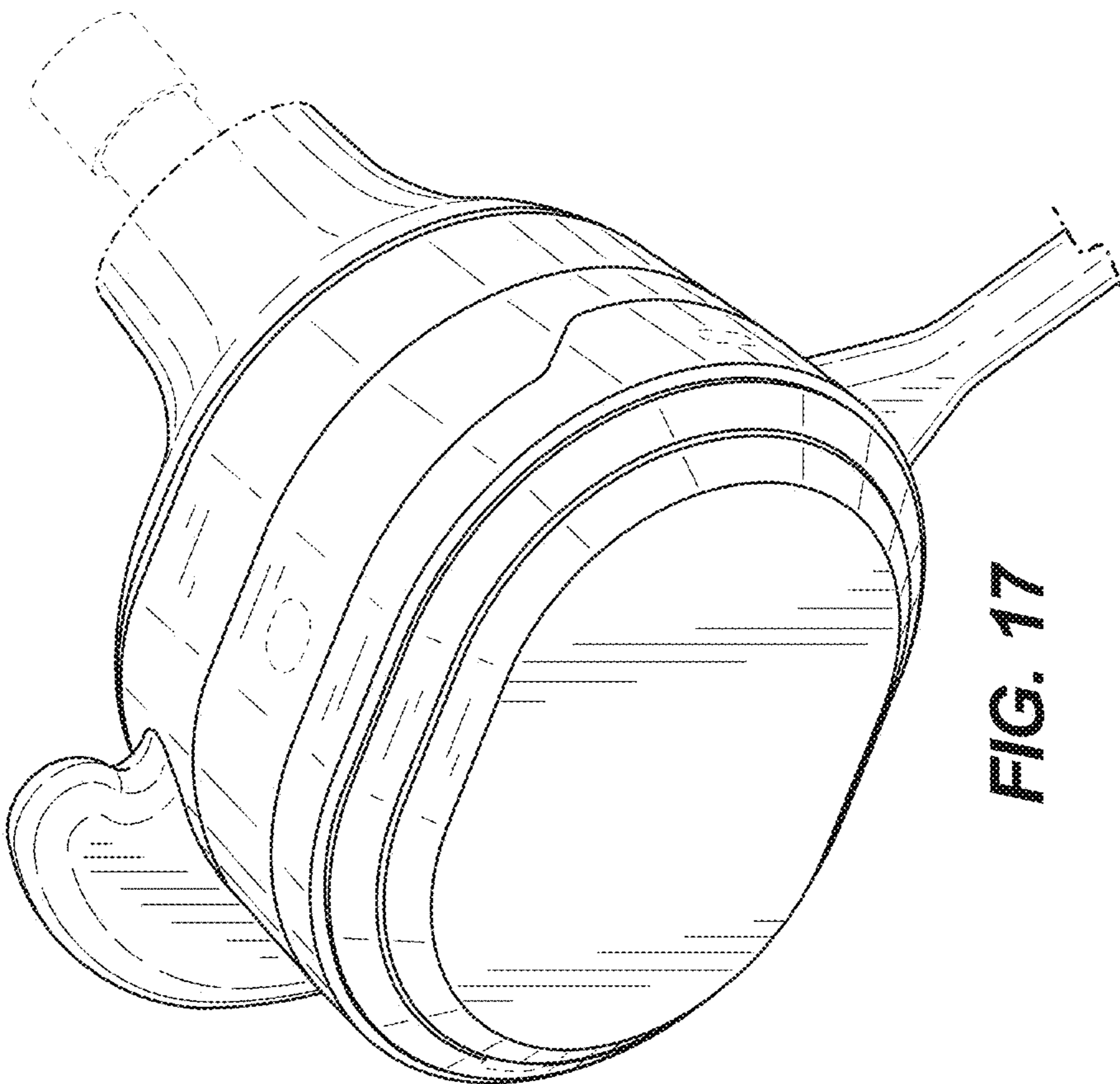


FIG. 18

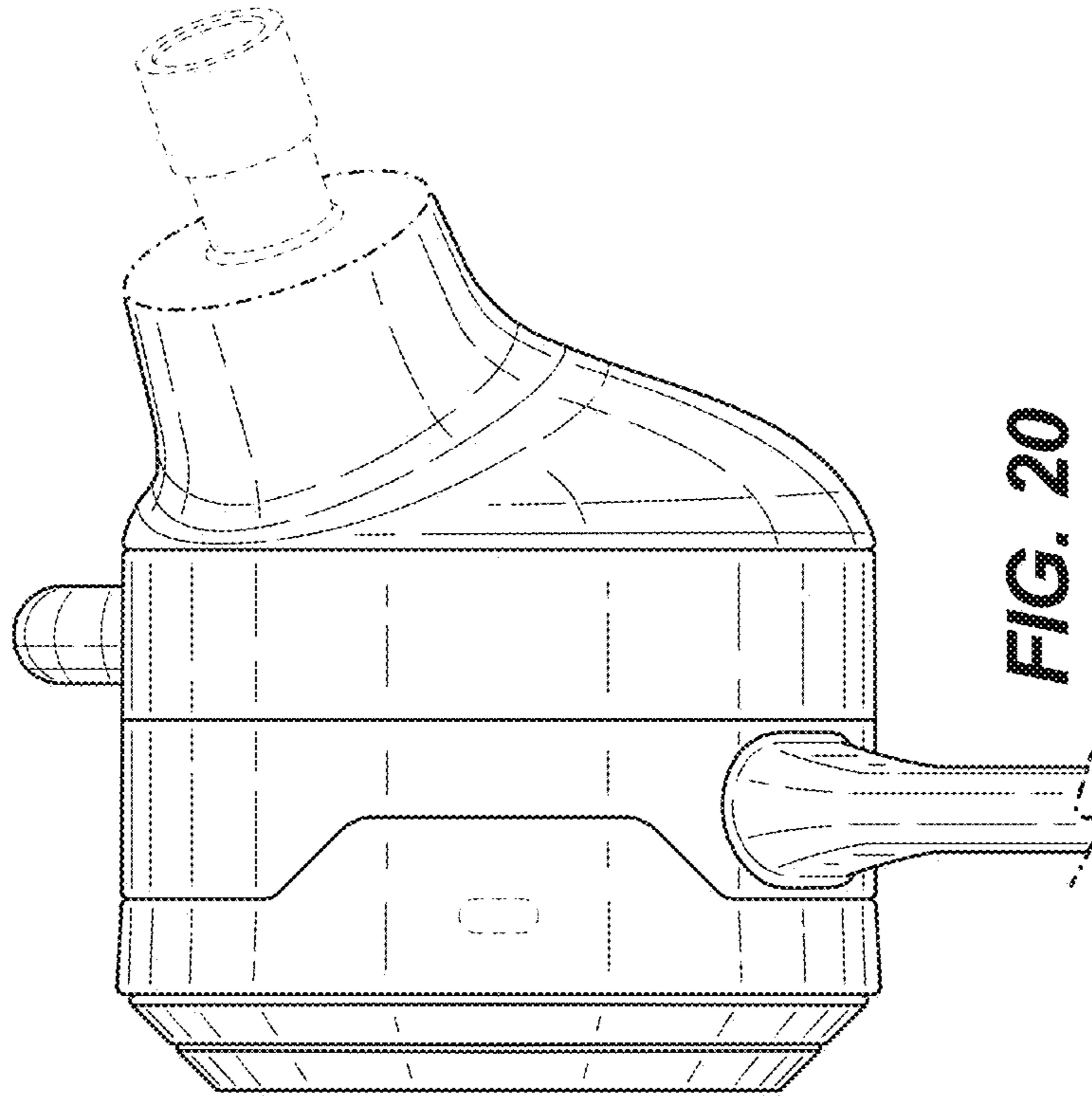


FIG. 20

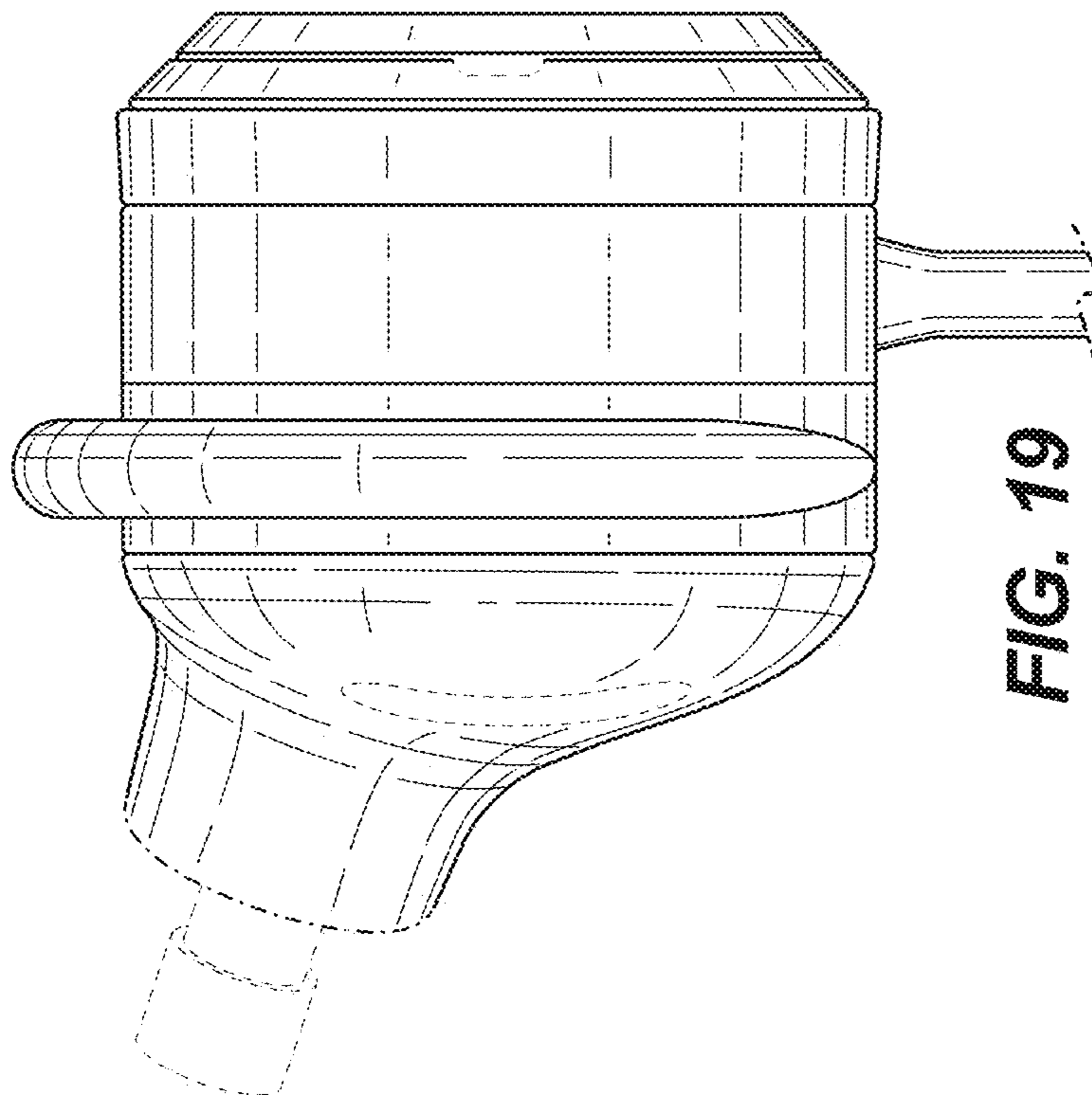


FIG. 19

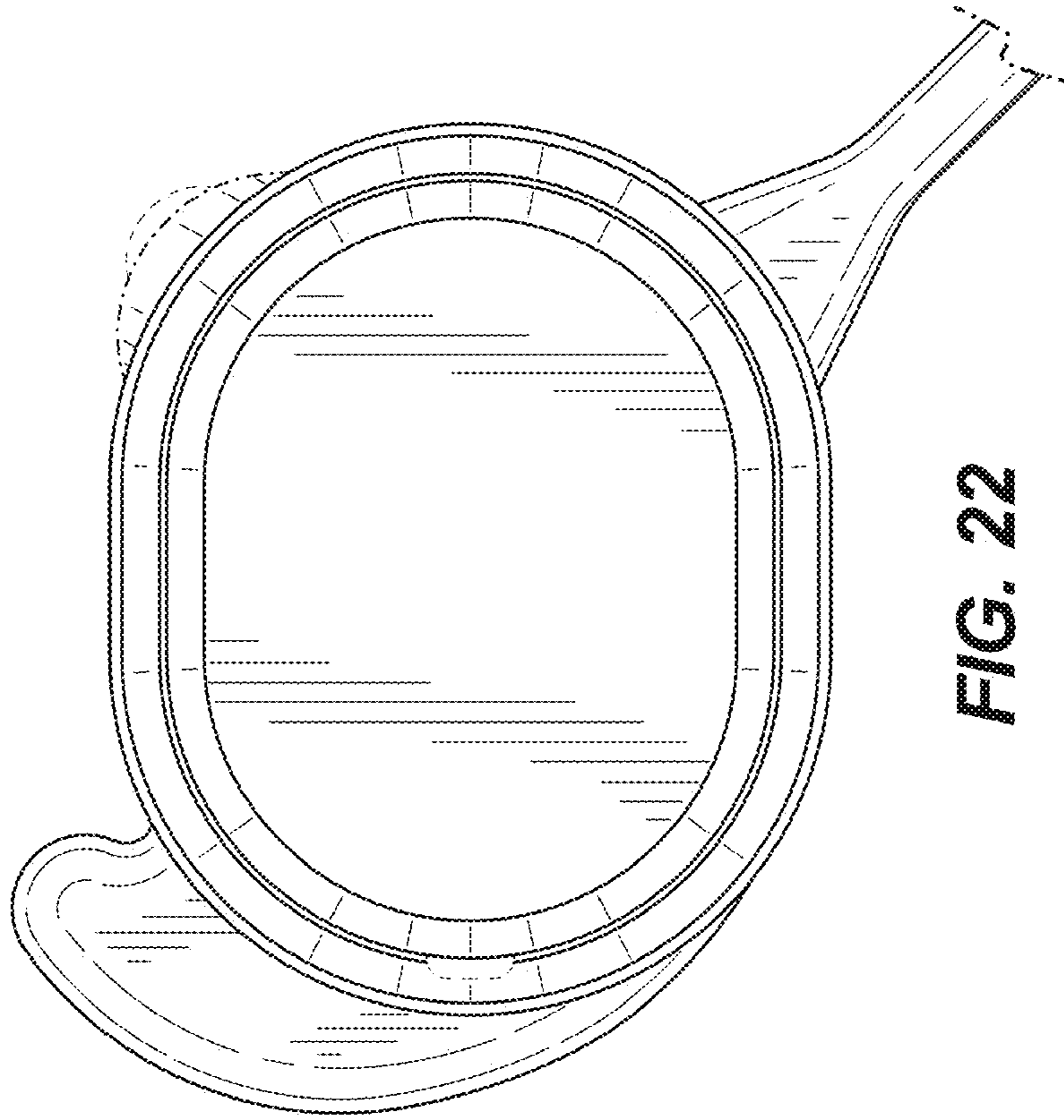


FIG. 22

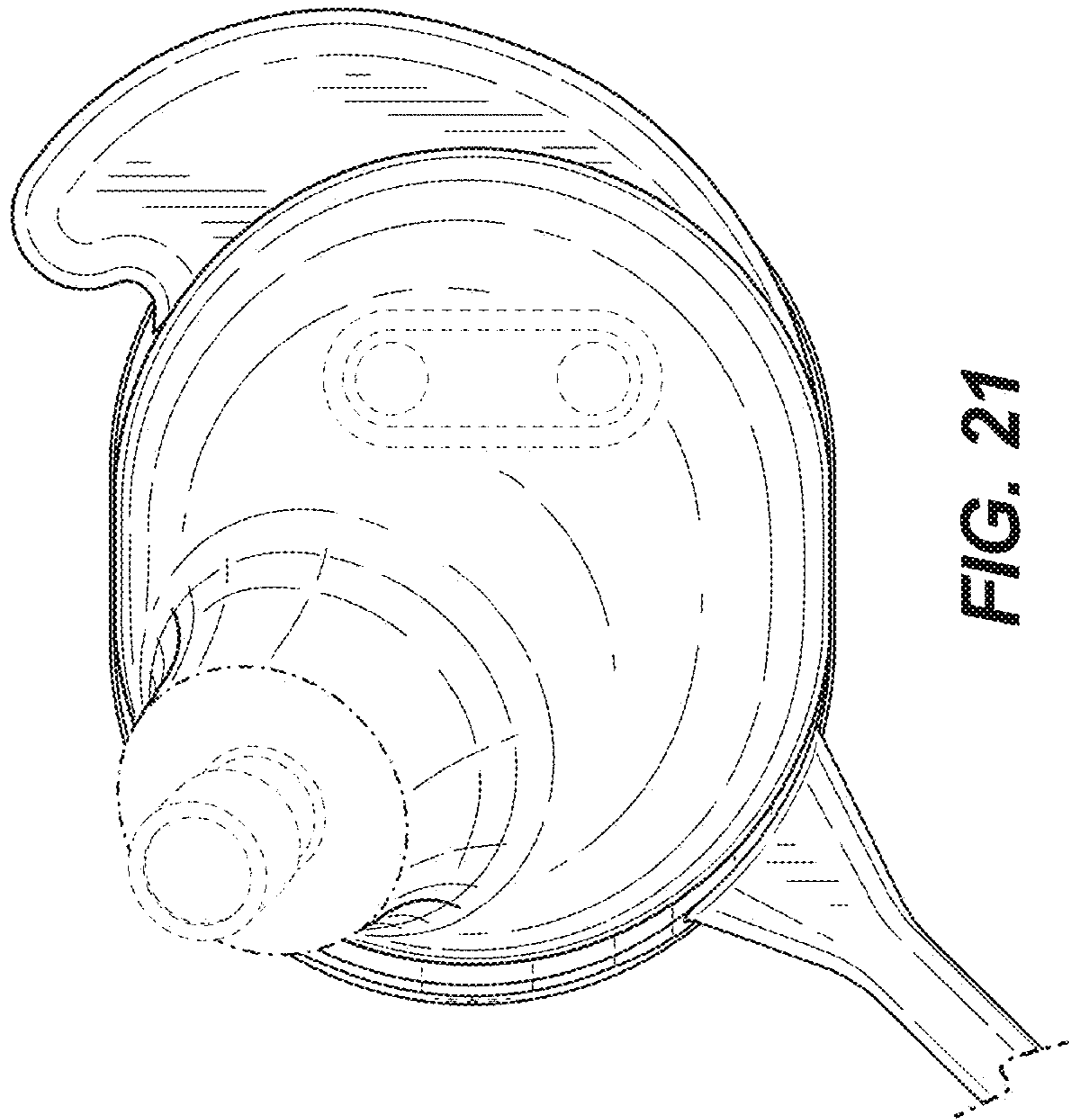


FIG. 21

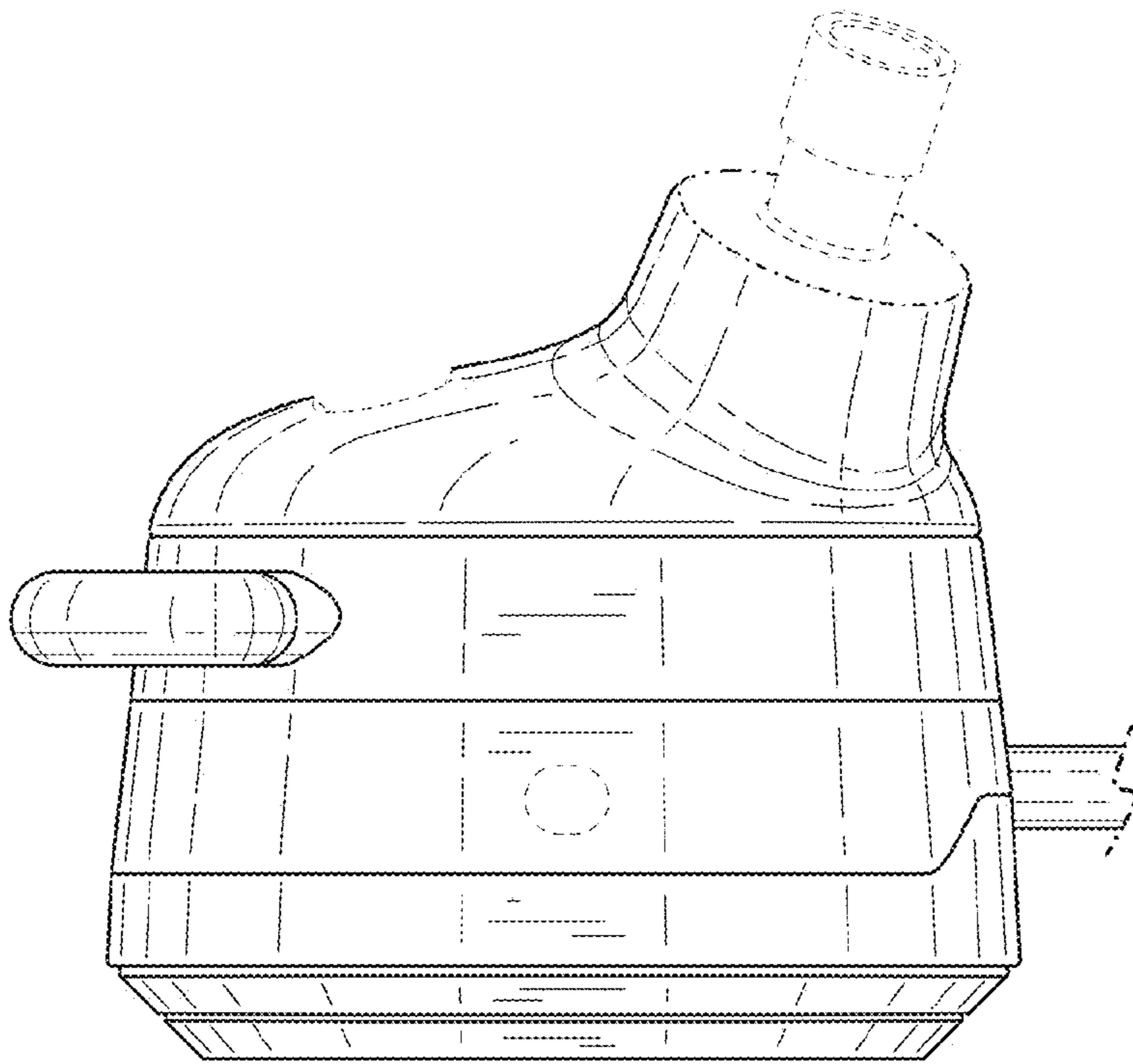


FIG. 23

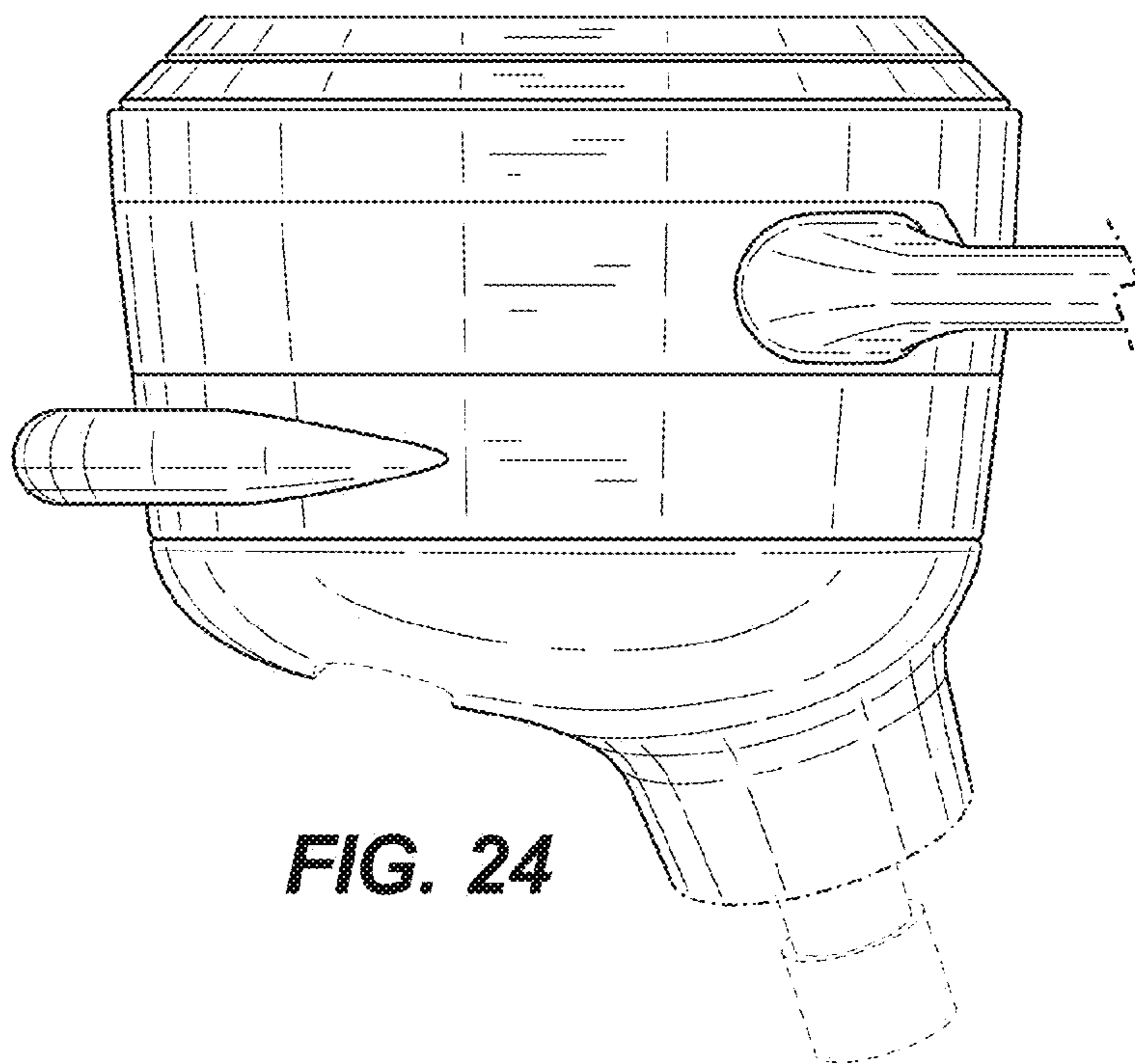


FIG. 24