



US00D989745S

(12) **United States Design Patent**
White

(10) **Patent No.:** **US D989,745 S**

(45) **Date of Patent:** **** Jun. 20, 2023**

(54) **EARBUD**

(71) Applicant: **MILWAUKEE ELECTRIC TOOL CORPORATION**, Brookfield, WI (US)

(72) Inventor: **Kevin D. White**, Milwaukee, WI (US)

(73) Assignee: **MILWAUKEE ELECTRIC TOOL CORPORATION**, Brookfield, WI (US)

(**) Term: **15 Years**

(21) Appl. No.: **29/771,054**

(22) Filed: **Feb. 19, 2021**

(51) **LOC (14) Cl.** **14-01**

(52) **U.S. Cl.**
USPC **D14/223**

(58) **Field of Classification Search**
USPC D14/223, 205; D24/174; 128/864–866;
381/380–381, 322, 328
CPC H04R 1/10; H04R 1/1066; H04R 1/1016;
H04R 5/033; H04R 5/0335; H04R
1/1058; H04R 1/1091
See application file for complete search history.

(56) **References Cited**

U.S. PATENT DOCUMENTS

6,122,388	A *	9/2000	Feldman	H04R 25/652 381/328
D603,378	S	11/2009	Paradise		
D705,757	S	5/2014	Yashiro		
D725,082	S *	3/2015	Palmborg	D14/223
D733,102	S *	6/2015	Palmborg	D14/223
D737,251	S	8/2015	Thompson et al.		
D742,861	S *	11/2015	Miyake	D14/223
D775,609	S	1/2017	Lee et al.		
D777,710	S *	1/2017	Palmborg	D14/223
D794,611	S	8/2017	Valenzuela et al.		

(Continued)

FOREIGN PATENT DOCUMENTS

CN 300961061 7/2009
CN 301176334 S 4/2010

(Continued)

OTHER PUBLICATIONS

<https://www.pcmag.com/reviews/jaybird-run-xt>.
https://www.bose.com/en_us/support/products/bose_headphones_support/bose_in_ear_headphones_support/soundport-free-wireless.html.

Primary Examiner — Paula Allen Greene

(74) *Attorney, Agent, or Firm* — Michael Best & Friedrich LLP

(57) **CLAIM**

I claim the ornamental design for an earbud, as shown and described.

DESCRIPTION

The patent or application file contains at least one drawing executed in color. Copies of this patent or patent application publication with color drawing(s) will be provided by the Office upon request and payment of the necessary fee.

FIG. 1 is a front perspective view of an earbud in accordance with an embodiment of the invention.

FIG. 2 is a front view of the earbud of FIG. 1.

FIG. 3 is a top view of the earbud of FIG. 1.

FIG. 4 is a right-side view of the earbud of FIG. 1.

FIG. 5 is a left-side view of the earbud of FIG. 1.

FIG. 6 is a front perspective view of an earbud in accordance with another embodiment of the invention.

FIG. 7 is a front view of the earbud of FIG. 6.

FIG. 8 is a top view of the earbud of FIG. 6.

FIG. 9 is a right-side view of the earbud of FIG. 6; and,

FIG. 10 is a left-side view of the earbud of FIG. 6.

The letters “MILW” with partial lightning bolt beneath forming part of the claimed design is a portion of a registered trademark of Milwaukee Electric Tool Corporation.

1 Claim, 4 Drawing Sheets
(4 of 4 Drawing Sheet(s) Filed in Color)



(56)

References Cited

U.S. PATENT DOCUMENTS

D795,224 S 8/2017 Valenzuela et al.
 D798,843 S 10/2017 Valenzuela et al.
 D800,097 S 10/2017 Chen
 D810,054 S 2/2018 Yuan
 D817,309 S 5/2018 Czaniecki et al.
 D818,990 S * 5/2018 Tzeng D14/223
 D826,211 S * 8/2018 Kim D14/206
 10,154,334 B1 * 12/2018 Lin H04R 19/04
 D846,532 S 4/2019 Xiao
 D858,489 S * 9/2019 Hu D14/223
 D862,424 S * 10/2019 You D14/223
 D866,532 S 11/2019 Zhang et al.
 D870,708 S 12/2019 Lindenberger
 D883,257 S * 5/2020 Duddy D14/223
 D883,258 S * 5/2020 Wu D14/223
 D883,261 S 5/2020 Zhang
 D884,681 S 5/2020 Zhang
 D892,087 S * 8/2020 Briggs D14/223
 D899,405 S * 10/2020 Vaclavik D14/223
 D902,184 S * 11/2020 Yang D14/223
 10,827,249 B1 * 11/2020 Pine H04R 1/1041
 D908,667 S * 1/2021 He D14/223
 D912,016 S * 3/2021 Ando D14/223
 D912,647 S * 3/2021 Williamson D14/223
 D912,648 S * 3/2021 Williamson D14/223
 D920,288 S * 5/2021 Vautour D14/223
 D924,849 S * 7/2021 Yang D14/223
 D926,162 S * 7/2021 Dang D14/223
 D926,163 S * 7/2021 Williamson D14/223
 D928,742 S * 8/2021 Liu D14/223
 D930,617 S * 9/2021 Tanaka D14/223
 D954,026 S * 6/2022 Sasaki D14/223
 D955,369 S * 6/2022 Zhang D14/223
 D959,411 S * 8/2022 Ando D14/223
 D961,556 S * 8/2022 Hong D14/223
 D963,612 S * 9/2022 Lin D14/223
 D965,564 S * 10/2022 Vaerum D14/223
 2020/0374632 A1 * 11/2020 Wang H04R 1/1016
 2021/0289280 A1 * 9/2021 Ko H04R 1/1075
 2022/0177981 A1 * 6/2022 Hodges C12Q 1/6825
 2022/0303657 A1 * 9/2022 Unruh H04R 1/1075

FOREIGN PATENT DOCUMENTS

CN 302164886 S 11/2012
 CN 302650392 S 11/2013
 CN 302650394 S 11/2013
 CN 302709761 S 1/2014
 CN 302864816 S 7/2014
 CN 303655061 S 4/2016
 CN 303805303 S 8/2016
 CN 303877219 S 10/2016
 CN 304138814 S 5/2017
 CN 304158124 S 6/2017
 CN 304332852 S 10/2017
 CN 304482688 S 1/2018
 CN 304545996 S 3/2018
 CN 304619414 S 5/2018
 CN 304794542 S 8/2018
 CN 304437710 S 10/2018
 CN 304857674 S 10/2018
 CN 304874572 S 11/2018
 CN 304912914 S 11/2018
 CN 304962541 S 12/2018
 CN 304967846 S 12/2018
 CN 305098243 S 4/2019
 CN 305098244 S 4/2019

CN 305098245 S 4/2019
 CN 305103791 S 4/2019
 CN 305202971 S 6/2019
 CN 305210430 S 6/2019
 CN 305296633 S 8/2019
 CN 305316699 S 8/2019
 CN 305412671 S 11/2019
 CN 305530290 S 1/2020
 CN 305580958 S 1/2020
 CN 305706818 S 4/2020
 CN 305715441 S 4/2020
 CN 305758442 S 5/2020
 EM 001148290-0001 8/2009
 EM 001148290-0002 8/2009
 EM 002058628-0004 3/2012
 EM 002344499-0001 11/2013
 EM 002344499-0002 11/2013
 EM 002344499-0003 11/2013
 EM 002344499-0004 11/2013
 EM 003063429-0001 7/2016
 EM 003063429-0002 7/2016
 EM 003342583-0001 8/2016
 EM 003241082-0001 9/2016
 EM 003702190-0001 4/2017
 EM 002750828-0008 5/2017
 EM 004059293-0001 7/2017
 EM 004059293-0002 7/2017
 EM 004564839-0001 1/2018
 EM 004565331-0001 1/2018
 EM 004675320-0002 2/2018
 EM 004675320-0003 2/2018
 EM 004746345-0001 5/2018
 EM 004746345-0002 5/2018
 EM 005834009-0001 11/2018
 EM 005814449-0001 1/2019
 EM 005814449-0002 1/2019
 EM 006402434-0001 5/2019
 EM 006652590-0001 8/2019
 EM 006581096-0001 9/2019
 EM 006581096-0002 9/2019
 EM 006581096-0003 9/2019
 EM 006581096-0004 9/2019
 EM 006581112-0001 9/2019
 EM 006865119-0002 9/2019
 EM 006772273-0002 10/2019
 EM 007341722-0001 12/2019
 EM 007341722-0002 12/2019
 EM 007341722-0003 12/2019
 EM 007343660-0001 12/2019
 EM 007474283-0001 1/2020
 EM 007538657-0002 2/2020
 EM 007565015-0001 2/2020
 EM 007725007-0001 3/2020
 EM 007735212-0001 3/2020
 EM 001476329-0001 4/2020
 EM 007728241-0001 4/2020
 EM 00865482-0003 * 8/2021
 EM 00865482-0005 * 8/2021
 EM 008656482-0001 * 8/2021
 EM 008656482-0002 * 8/2021
 EM 008656482-0003 * 8/2021
 WO WO DM101367-1 6/2018
 WO WO DM201271-1 6/2019
 WO WO DM202472-1 9/2019
 WO WO DM202815-1 9/2019
 WO WO DM203969-1 11/2019
 WO WO DM203843-1 12/2019
 WO WO DM204864-2 12/2019
 WO WO DM206755-2 4/2020
 WO WO DM206755-3 4/2020

* cited by examiner



FIG. 1



FIG. 2

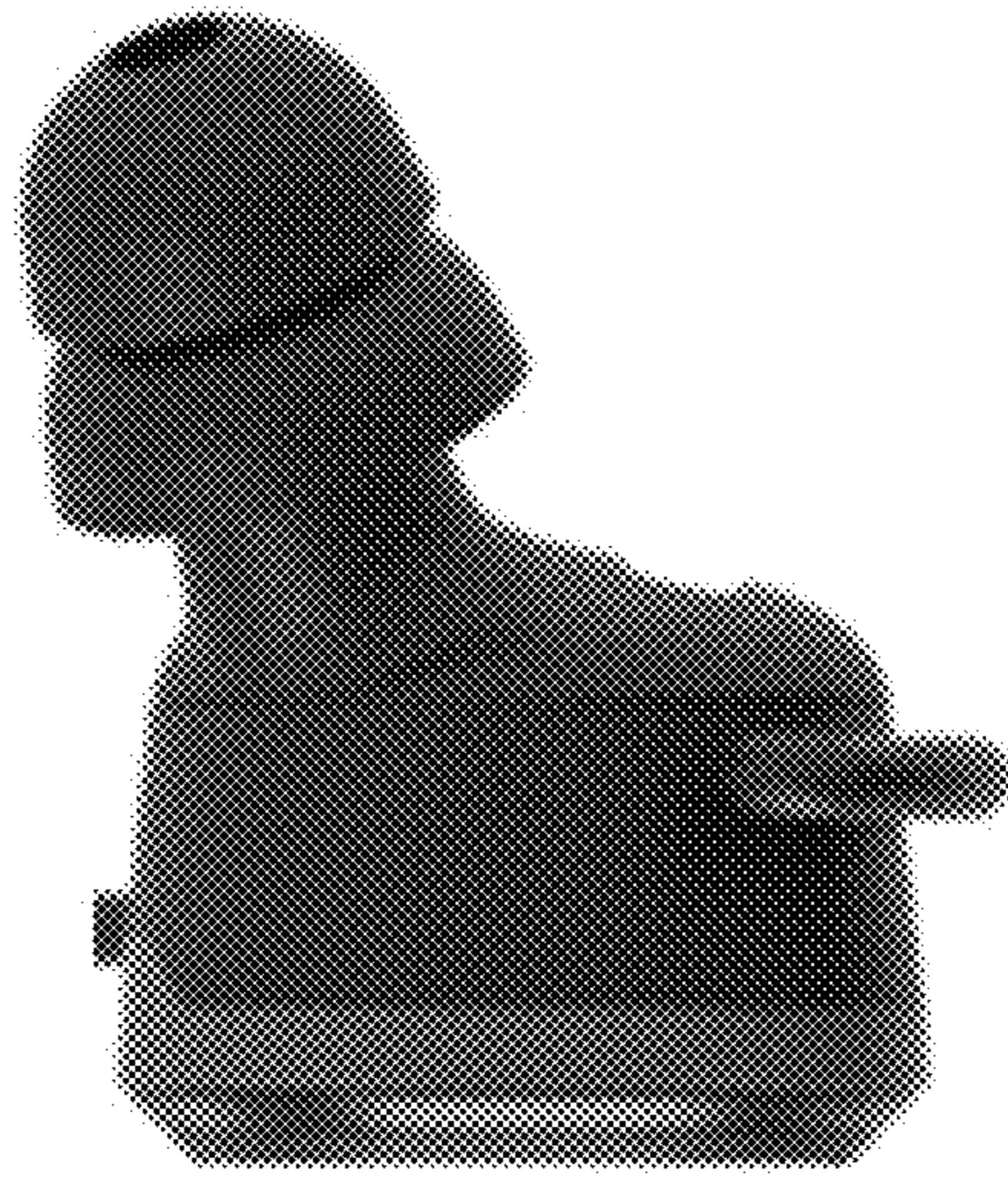


FIG. 3

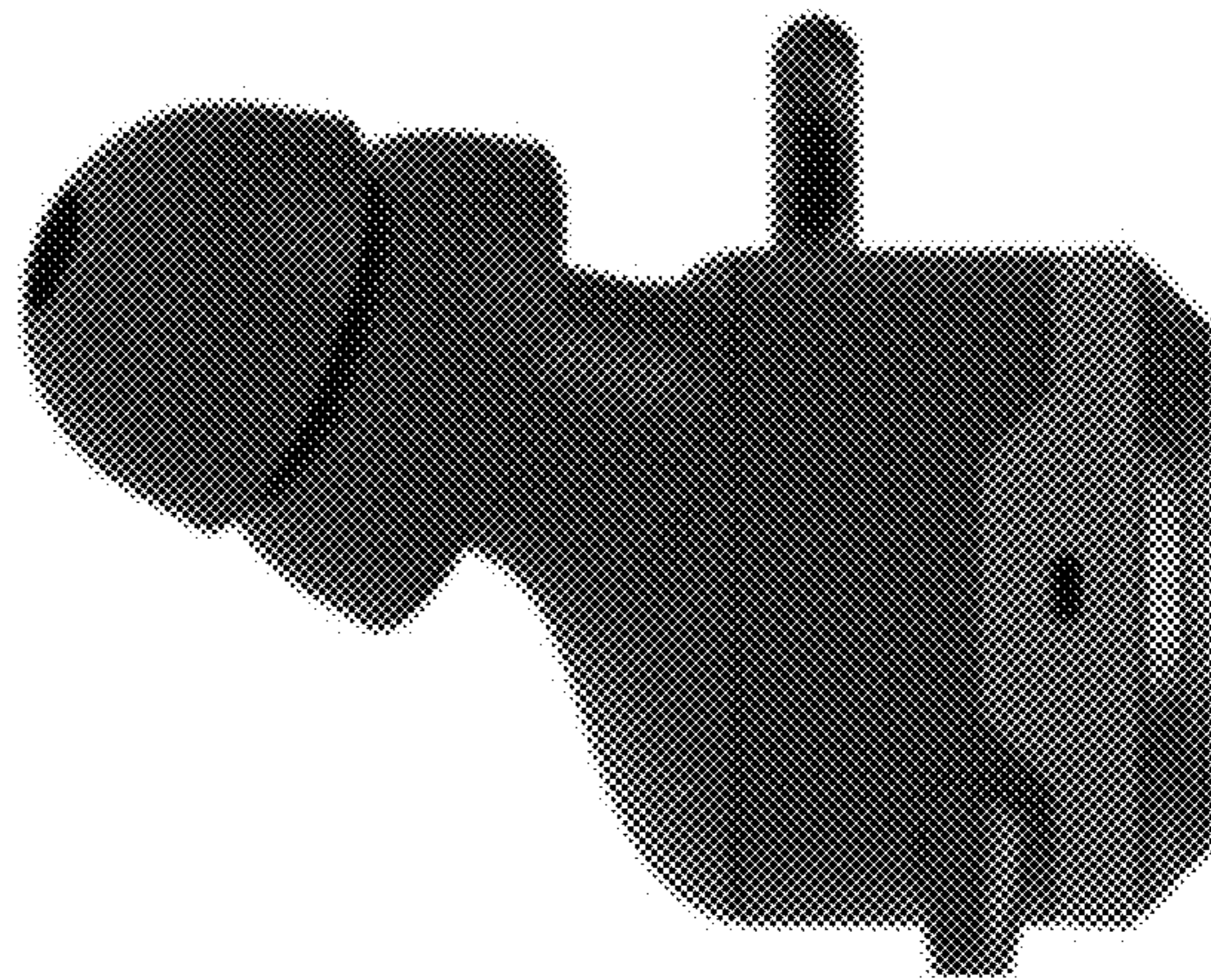


FIG. 4

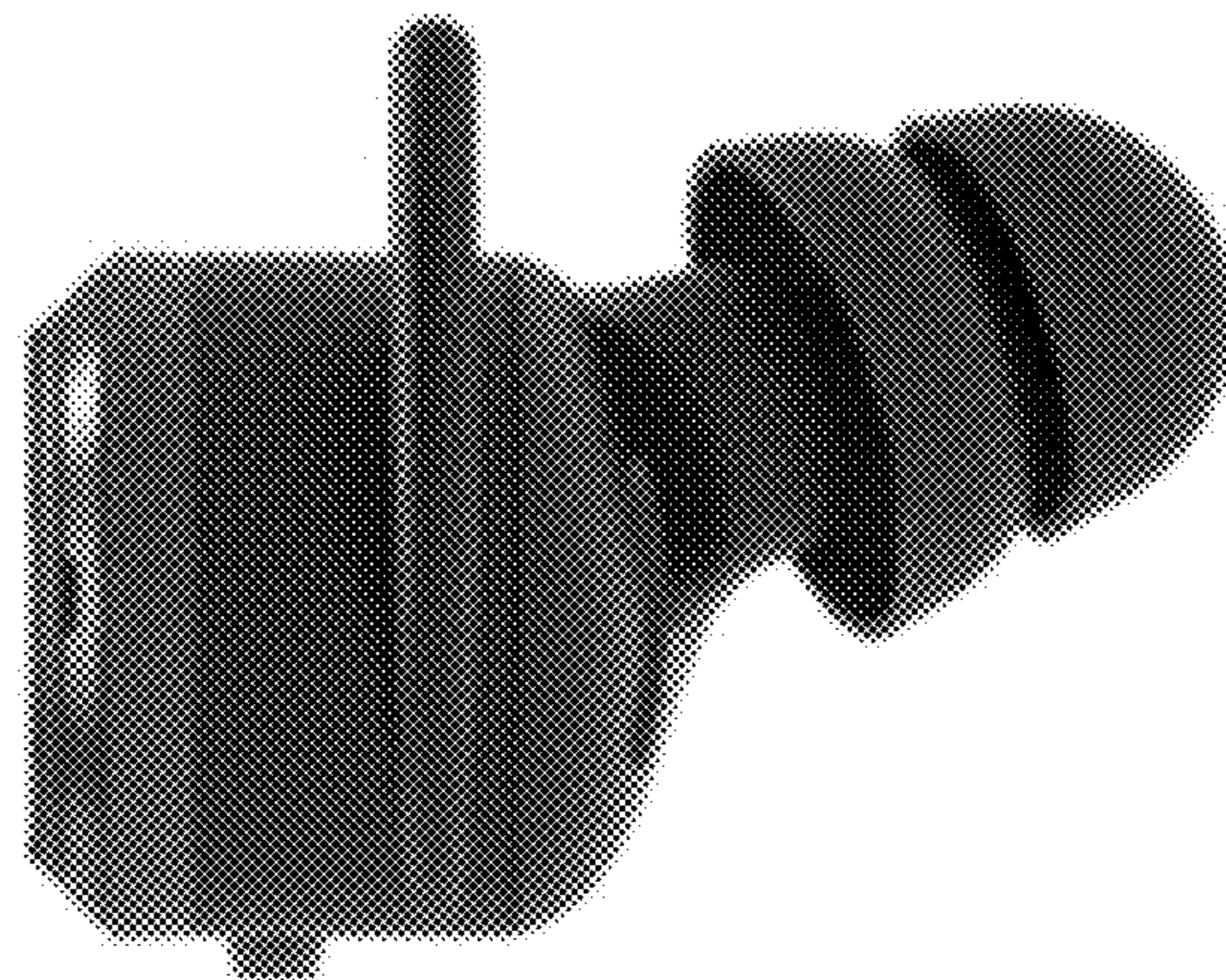


FIG. 5



FIG. 6



FIG. 7

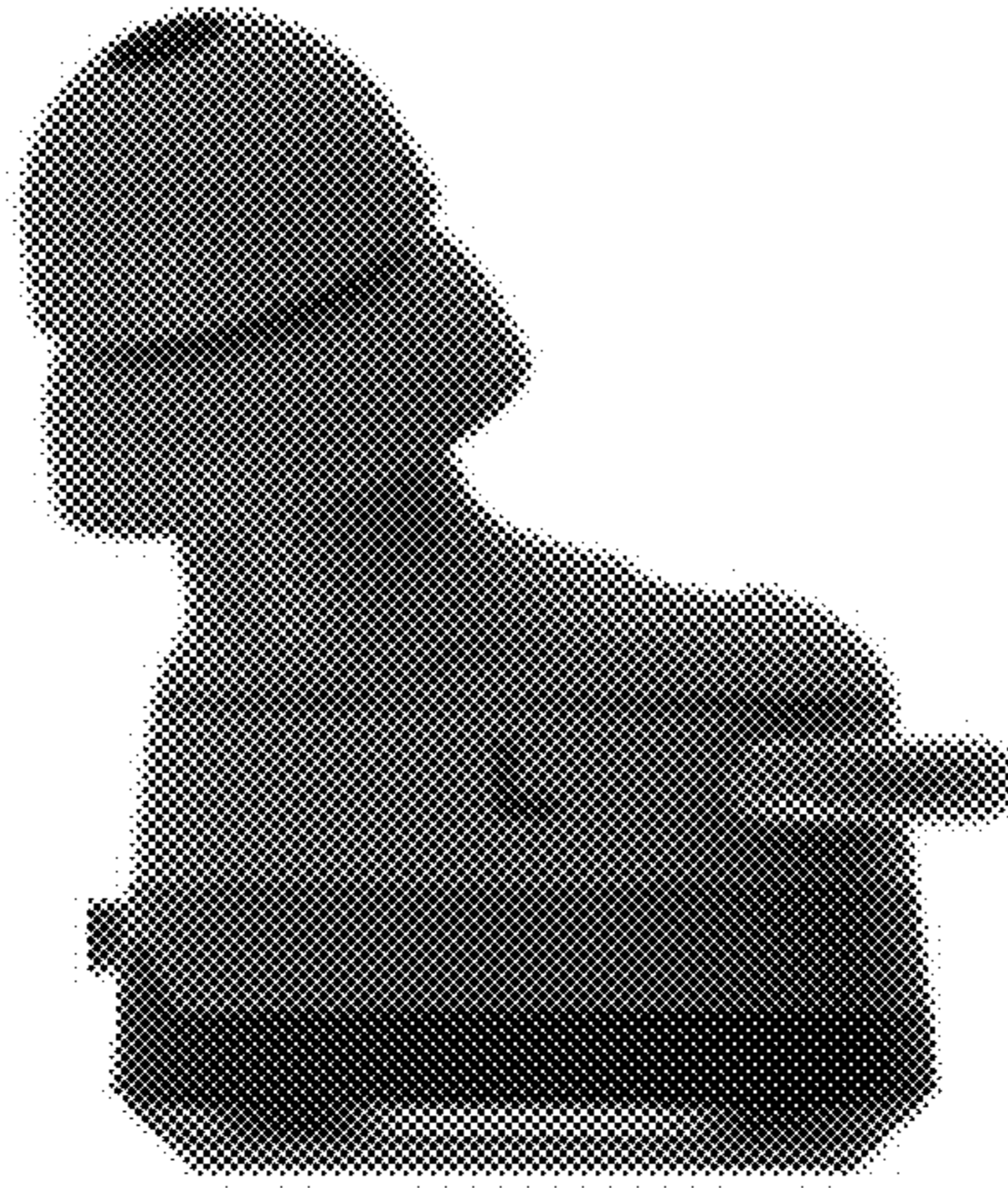


FIG. 8

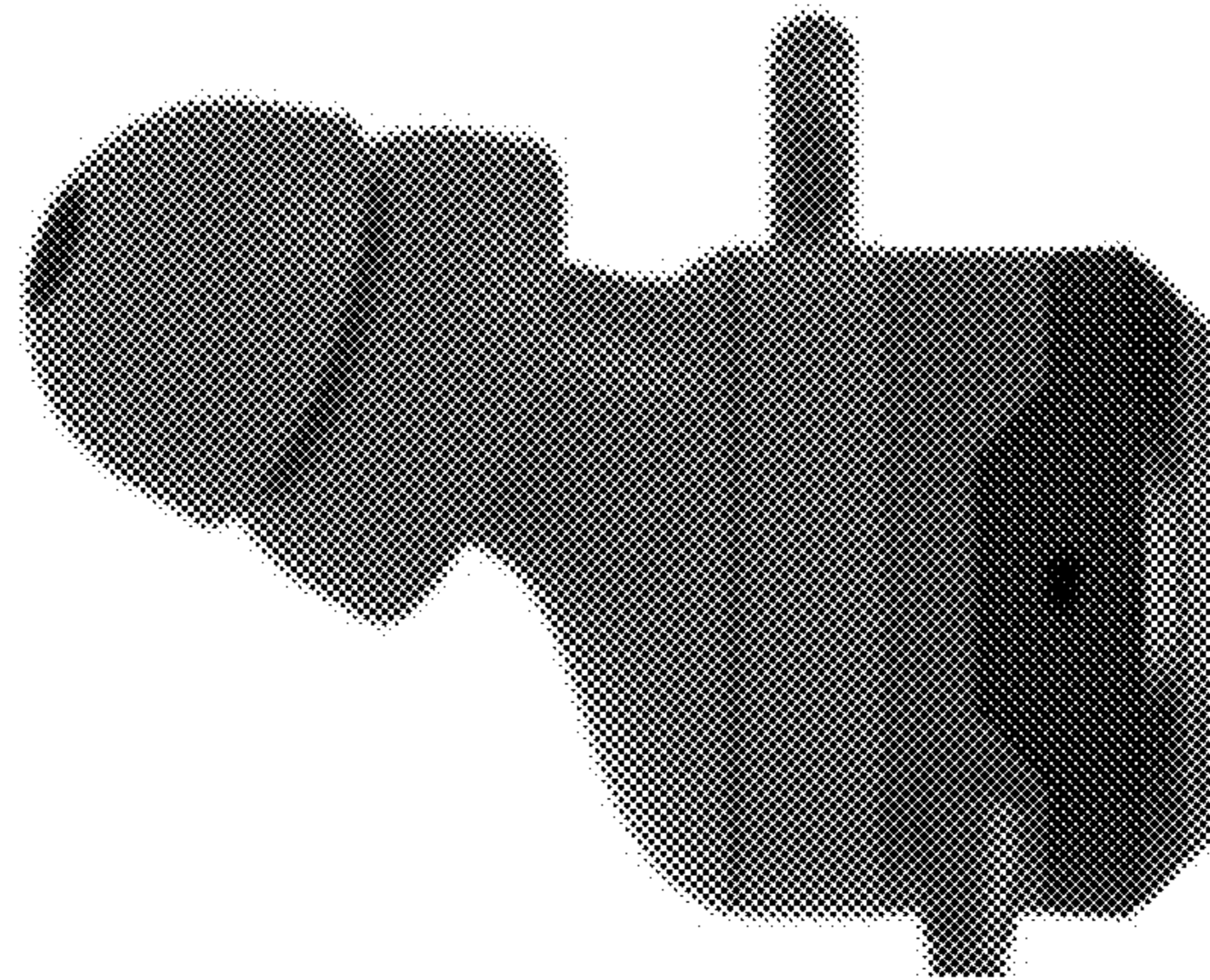


FIG. 9

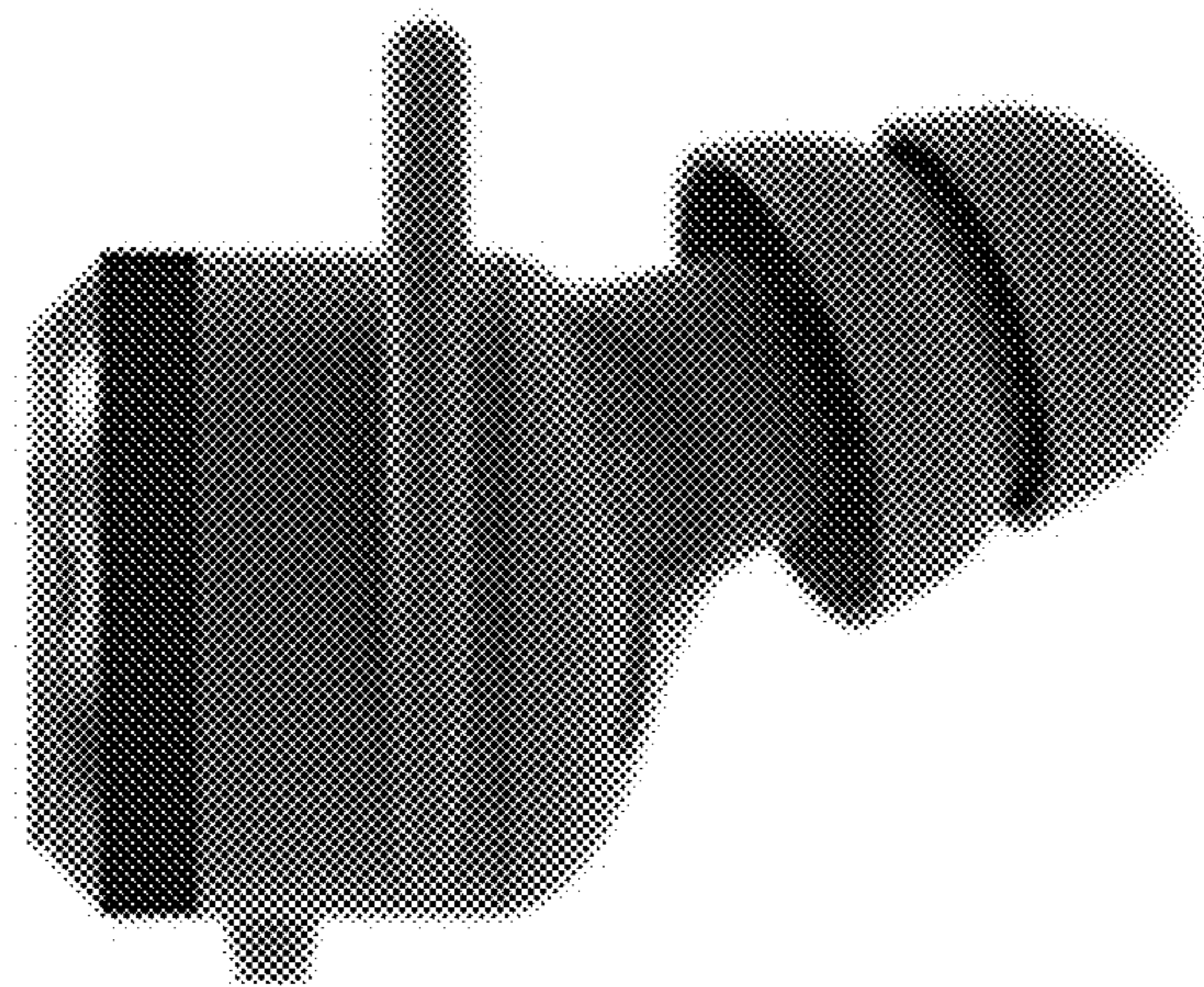


FIG. 10