



US00D989743S

(12) **United States Design Patent**
Lefebure et al.

(10) **Patent No.:** **US D989,743 S**
(45) **Date of Patent:** **** Jun. 20, 2023**

(54) **SOUND BAR**

(71) Applicant: **DEVIALET**, Paris (FR)

(72) Inventors: **Laura Lefebure**, Paris (FR);
Emmanuel Nardin, Paris (FR); **Fabien Gerlier**, Paris (FR); **Guillaume Allemon**, Paris (FR)

(**) Term: **15 Years**

(21) Appl. No.: **35/514,189**

(22) Filed: **Nov. 5, 2021**

(80) **Hague Agreement Data**

Int. Filing Date: **Nov. 5, 2021**

Int. Reg. No.: **DM/217456**

Int. Reg. Date: **Nov. 5, 2021**

Int. Reg. Pub. Date: **May 6, 2022**

(51) **LOC (14) Cl.** **14-01**

(52) **U.S. Cl.**
USPC **D14/214; D14/215**

(58) **Field of Classification Search**
USPC D14/314, 341, 356, 362, 363, 365, 366,
D14/368, 369, 388, 432, 498-507, 509,
D14/510, 129, 131, 159, 168, 169, 171,
D14/172, 175, 188, 194, 199, 202, 203,
D14/203.1, 203.3, 203.4, 203.6, 203.7,
D14/204, 209.1-216, 217, 221, 218;
D13/168

CPC H03J 1/0025; H01H 9/0235; H04B 1/202;
G08C 17/00; G08C 17/02; G06F 1/1656;
G06F 1/1605; G06F 1/1626; G06F
1/1633; G06F 1/1658; G06F 1/1684;
G06F 1/1688; H04R 1/02

See application file for complete search history.

(56) **References Cited**

U.S. PATENT DOCUMENTS

D768,603 S * 10/2016 Kim D14/214
D803,174 S * 11/2017 Coffey D14/125

D862,415 S * 10/2019 Krizan D14/214
D874,667 S * 2/2020 McManigal D24/214
D896,778 S * 9/2020 Choi D14/204
D924,838 S * 7/2021 Kang D14/204
D931,832 S * 9/2021 Kim D14/204
D932,465 S * 10/2021 Su D14/204
D936,634 S * 11/2021 Park D14/214
D938,937 S * 12/2021 Park D14/215
D951,903 S * 5/2022 Kim D14/204
D952,596 S * 5/2022 Kim D14/204
D955,361 S * 6/2022 Kim D14/204
D960,123 S * 8/2022 Kim D14/204

(Continued)

OTHER PUBLICATIONS

Bowers & Wilkins Panorama 3 Wireless Dolby Atmos Soundbar.
Wilkins, amazon.com (online) 12 pages. Posted Mar. 3, 2022.
[Retrieved Dec. 8, 2022] <https://a.co/d/5LnUP9I> (Year: 2022).*

(Continued)

Primary Examiner — Rebekah A Caruso
Assistant Examiner — Cole Sanders Holman

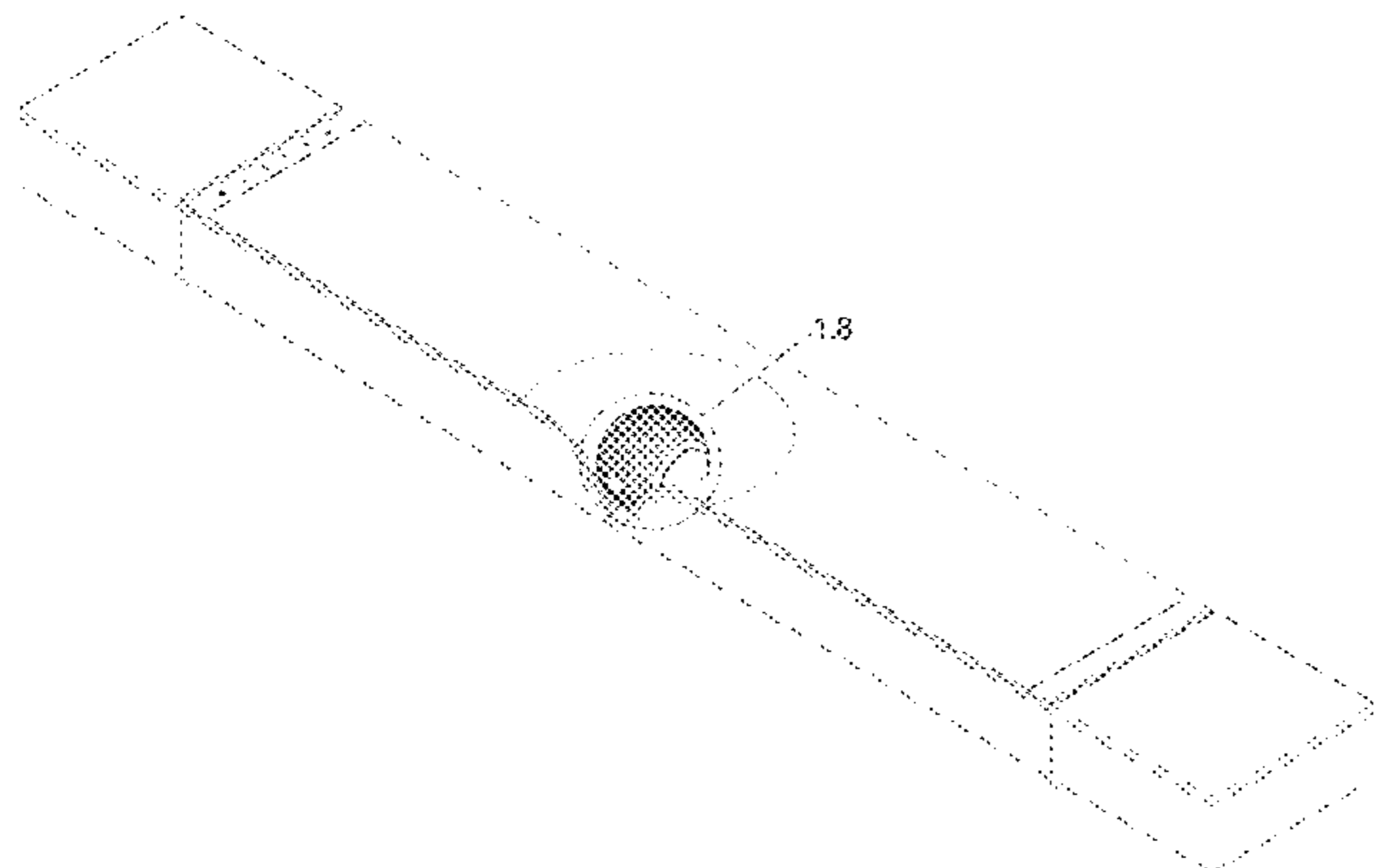
(57) **CLAIM**

The ornamental design for a sound bar, as shown and described.

DESCRIPTION

1.1 : is a perspective view
1.2 : is a front view
1.3 : is a rear view
1.4 : is a top view
1.5 : is a bottom view
1.6 : is a right side view
1.7 : is a left side view
1.8 : is a detail view of portion 1.8 shown in **1.1**
1.9 : is a detail view of portion 1.9 shown in **1.4**
The broken lines depict portions of the article that form no part of the claimed design. The dot-dash lines indicate the boundaries of detail views.

1 Claim, 9 Drawing Sheets



(56)

References Cited

U.S. PATENT DOCUMENTS

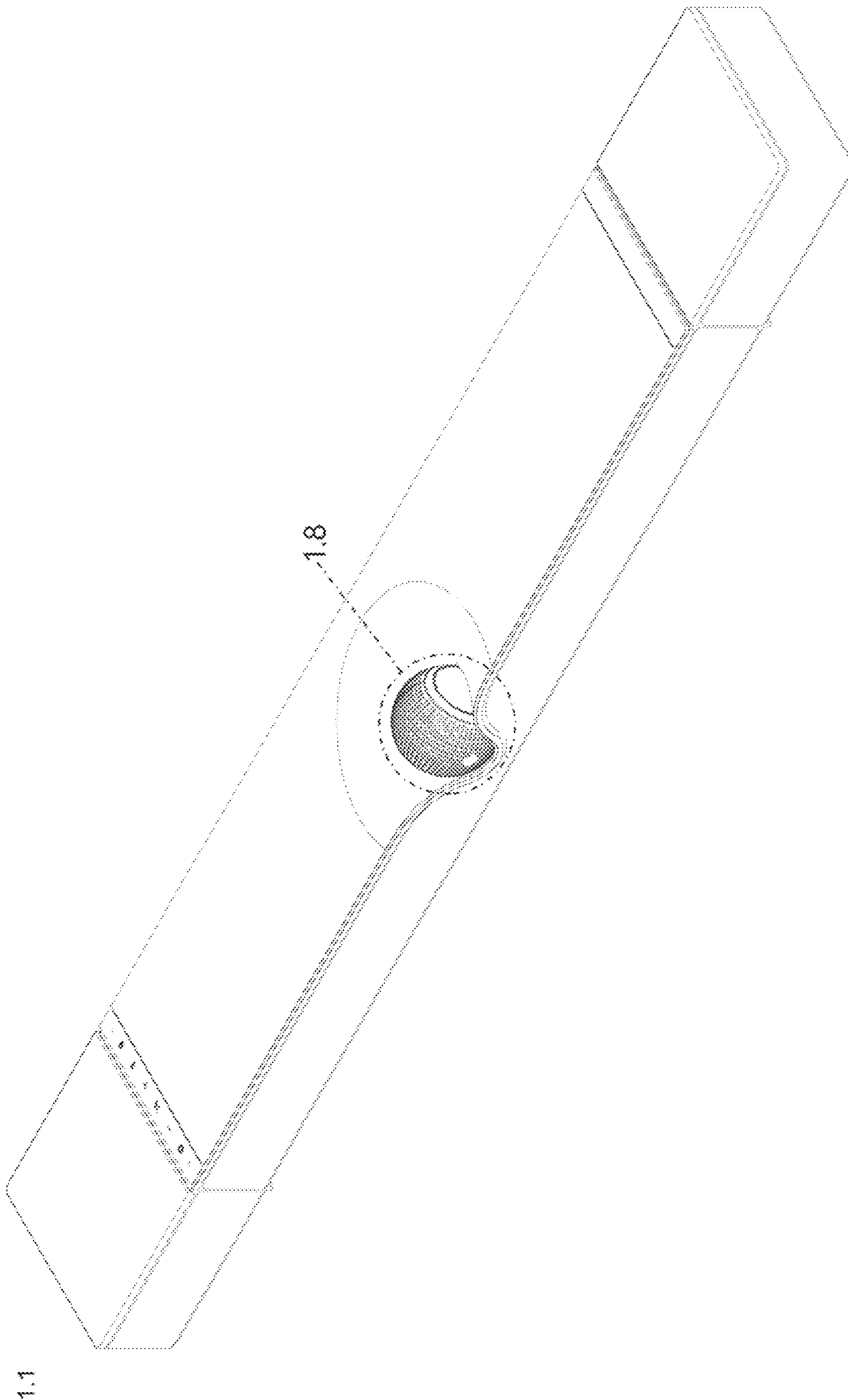
2013/0301861 A1* 11/2013 Ho H04R 1/023
381/332

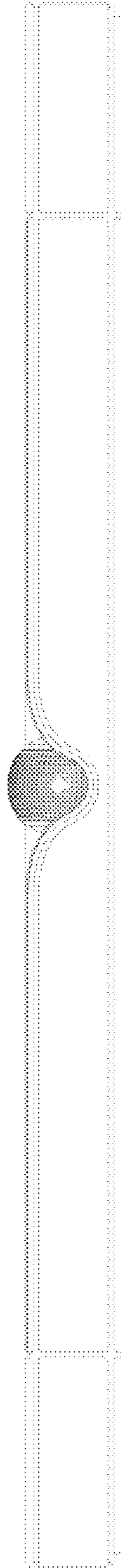
OTHER PUBLICATIONS

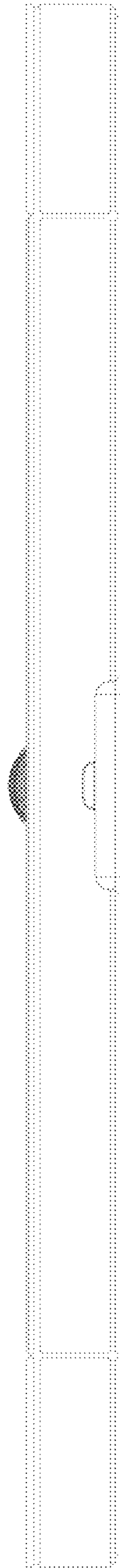
Bose Smart Soundbar 600. Bose, amazon.com (online) 14 pages.
Posted Oct. 10, 2022. [Retrieved Dec. 8, 2022] <https://a.co/d/ax3sPt2> (Year: 2022).*

Devialet Dione. Devialet, nextech.sk (online) 11 pages. Posted Jan.
11, 2022. [Retrieved Dec. 8, 2022] <https://www.nextech.sk/a/Devialet-Dione---High-end-zvuk-k-vasmu-televizoru> (Year: 2022).*

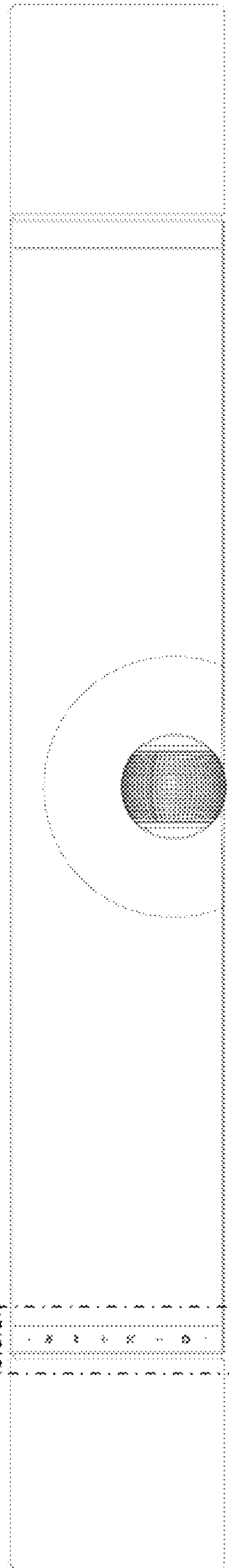
* cited by examiner





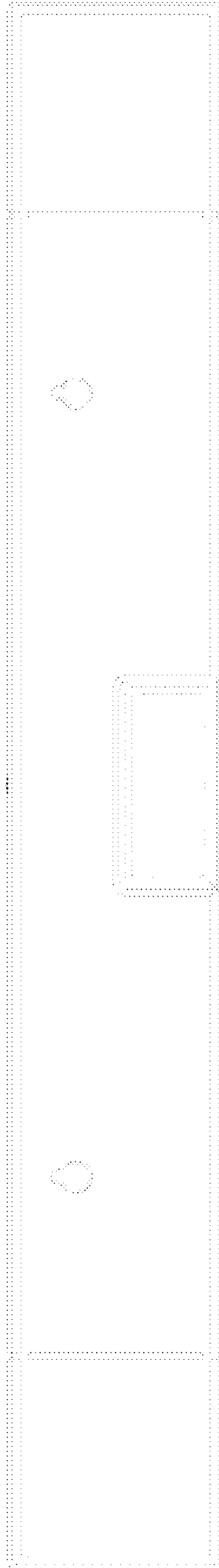


1.3



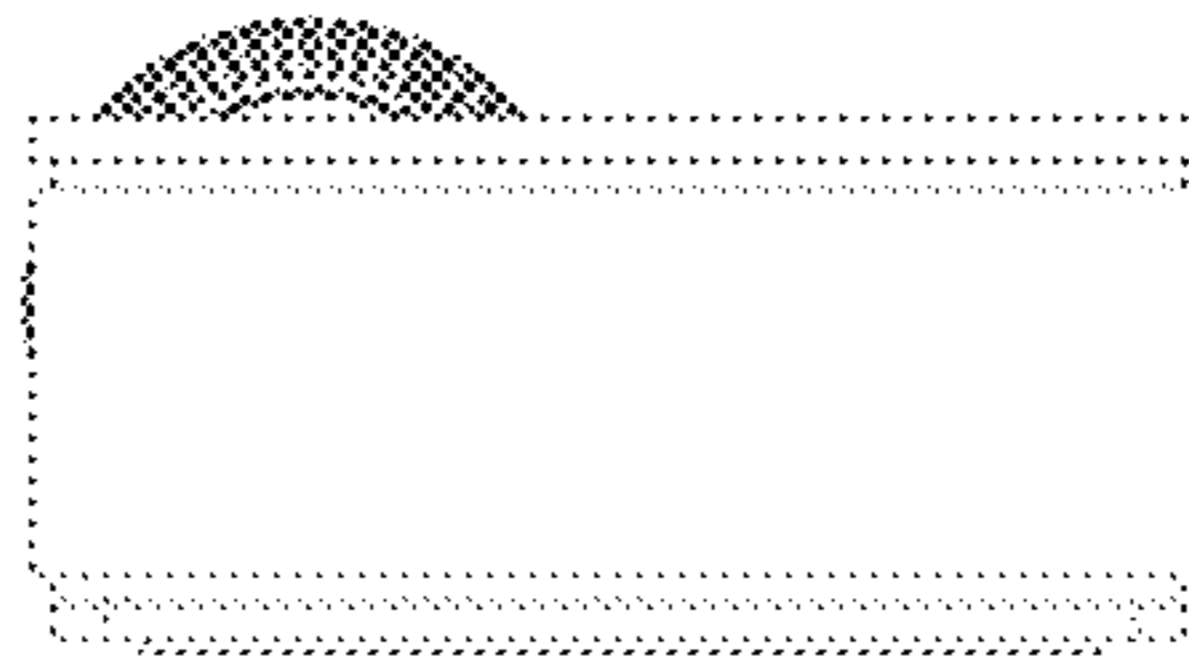
1.9

1.4

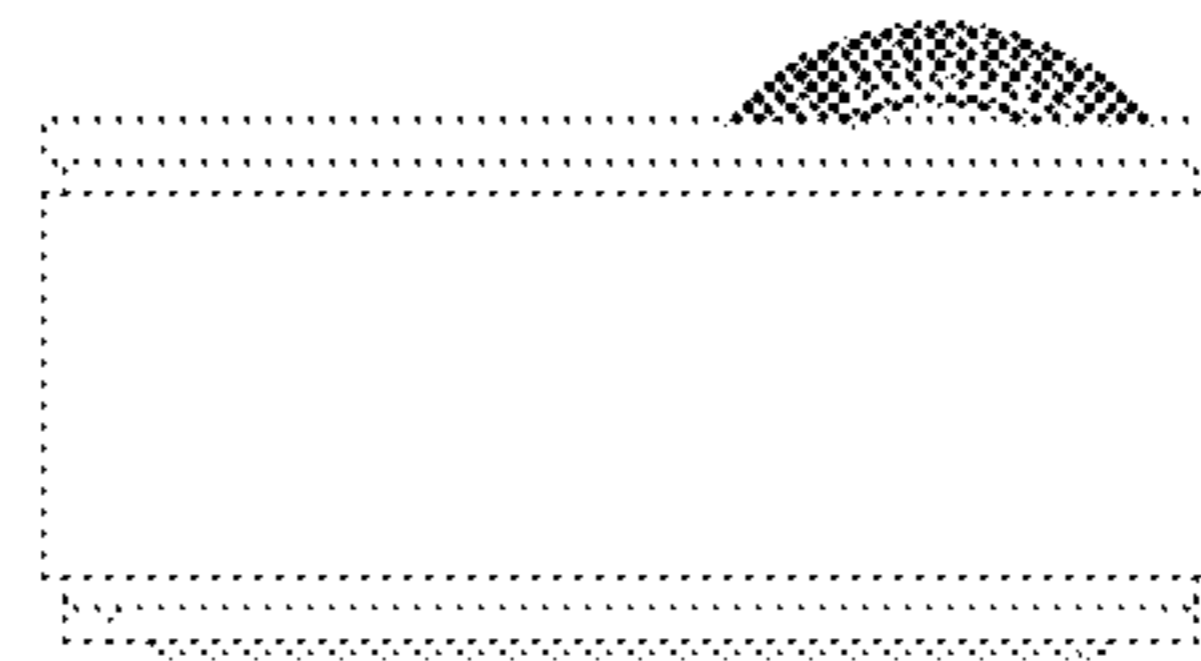


1.5

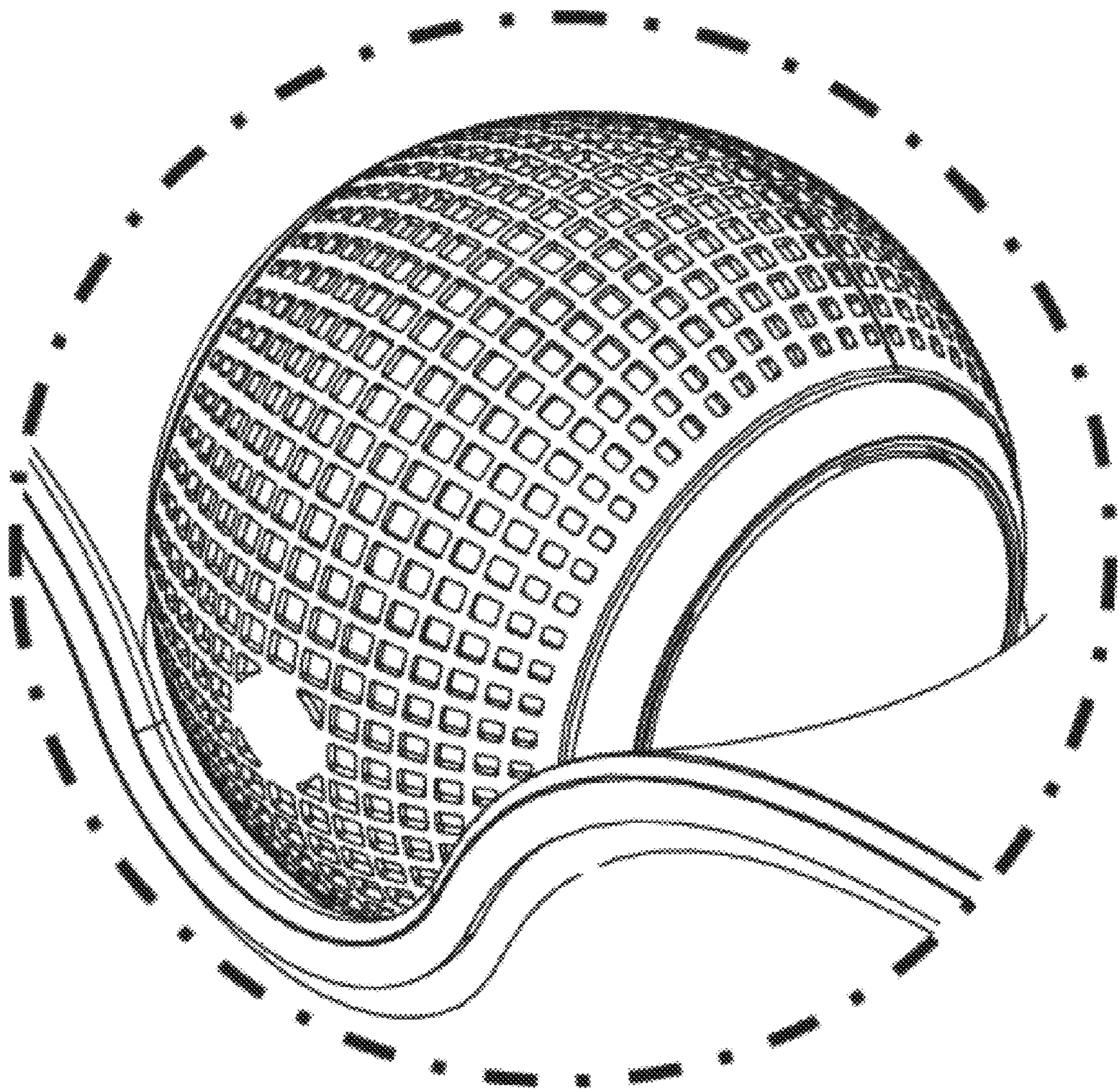
1.6



1.7



1.8



1.9

