



US00D989742S

(12) **United States Design Patent**  
**Lindof**

(10) **Patent No.:** **US D989,742 S**  
(45) **Date of Patent:** **\*\* Jun. 20, 2023**

(54) **HEADSET**

(71) Applicant: **RTX A/S, Nørresundby (DK)**

(72) Inventor: **Jens Christian Lindof, Nørresundby (DK)**

(73) Assignee: **RTX A/S, Nørresundby (DK)**

(\*\*) Term: **15 Years**

(21) Appl. No.: **29/866,789**

(22) Filed: **Sep. 27, 2022**

**Related U.S. Application Data**

(62) Division of application No. 29/756,702, filed on Oct. 30, 2020, now Pat. No. Des. 968,367.

(30) **Foreign Application Priority Data**

May 1, 2020 (EM) ..... 007854161-0001  
May 1, 2020 (EM) ..... 007854161-0003  
May 1, 2020 (EM) ..... 007854161-0005

(51) **LOC (14) Cl.** ..... **14-01**

(52) **U.S. Cl.**  
USPC ..... **D14/206; D14/226**

(58) **Field of Classification Search**  
USPC ..... D14/205, 206, 225, 226, 188, 192;  
D29/112; 2/209; 381/380, 381, 374  
CPC ..... H04R 25/00; H04R 25/02; H04R 1/10;  
H04R 1/1066; H04R 1/1016; H04R  
5/033; H04R 5/0335; H04R 19/04  
See application file for complete search history.

(56) **References Cited**

**U.S. PATENT DOCUMENTS**

6,356,635 B1 \* 3/2002 Lyman ..... H04R 1/083  
379/430  
D494,154 S \* 8/2004 Polito ..... D14/206

D494,957 S \* 8/2004 Rath ..... D14/206  
D498,470 S \* 11/2004 Skulley ..... D14/206  
D505,413 S \* 5/2005 Skulley ..... D14/223  
6,952,481 B2 \* 10/2005 Larsen ..... H04M 1/05  
381/74  
6,965,681 B2 \* 11/2005 Almqvist ..... H04R 1/1041  
381/384  
D514,086 S \* 1/2006 Skulley ..... D14/206  
D517,528 S \* 3/2006 Skulley ..... D14/206  
7,106,873 B1 \* 9/2006 Harrison ..... H04R 25/48  
381/381  
D530,307 S \* 10/2006 Rath ..... D14/206  
D530,702 S \* 10/2006 Pritchard ..... D14/206  
D531,165 S \* 10/2006 Rath ..... D14/206  
D535,285 S \* 1/2007 Skulley ..... D14/205  
D538,785 S \* 3/2007 Skulley ..... D14/206  
D540,778 S \* 4/2007 Thompson ..... D14/206  
7,391,863 B2 \* 6/2008 Viduya ..... H04M 1/05  
379/430

(Continued)

**FOREIGN PATENT DOCUMENTS**

EM 007792767-0009 \* 4/2020

*Primary Examiner* — Paula Allen Greene

(74) *Attorney, Agent, or Firm* — Merchant & Gould P.C.

(57) **CLAIM**

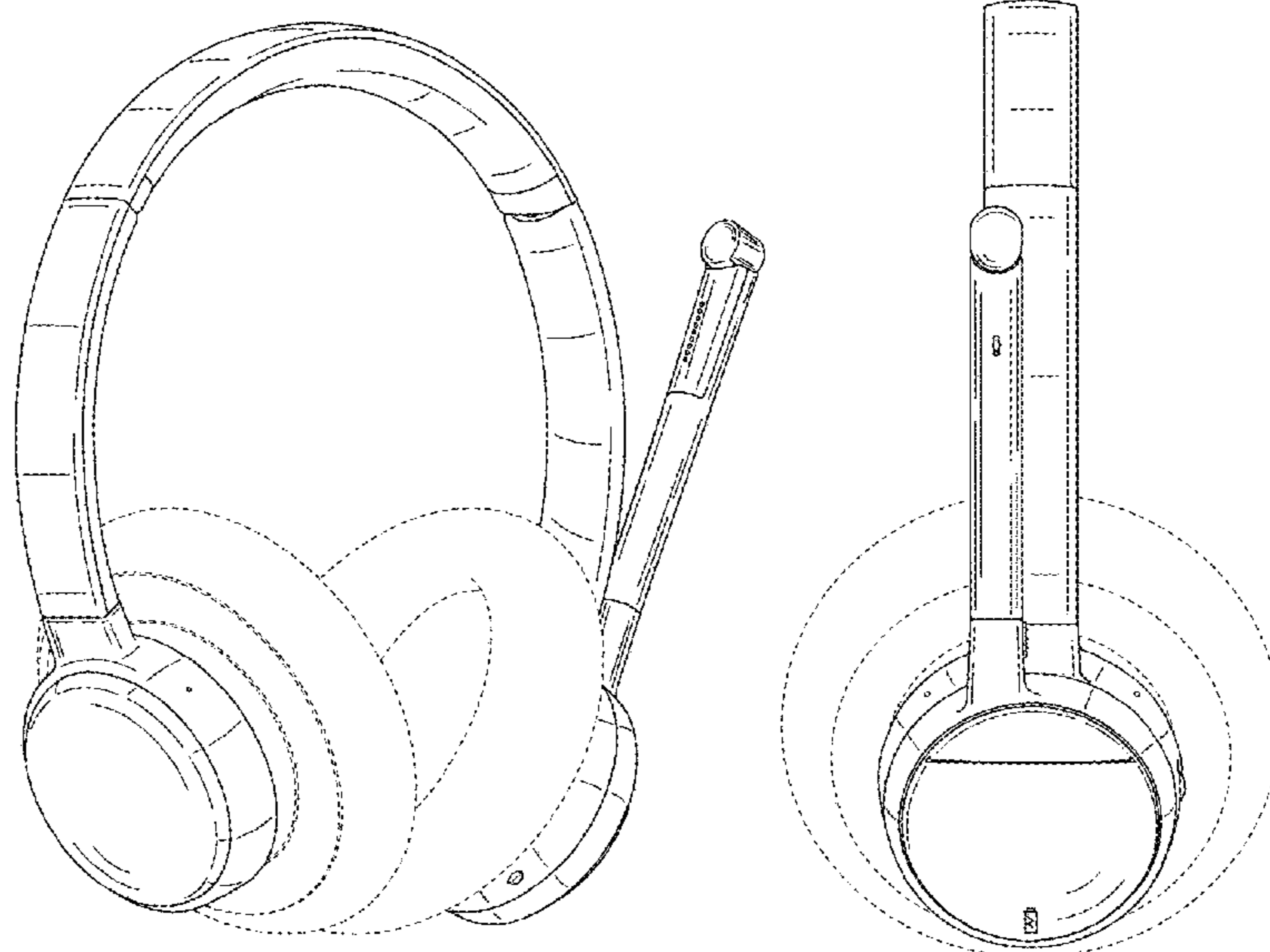
The ornamental design for a headset, as shown and described.

**DESCRIPTION**

FIG. 1 is a front perspective view of my design;  
FIG. 2 is an rear perspective view;  
FIG. 3 is a front view;  
FIG. 4 is a rear view;  
FIG. 5 is a first side view;  
FIG. 6 is a second side view; and,  
FIG. 7 is a top view.

The broken line in the Figures depict portions of the headset that form no part of the claimed design.

**1 Claim, 7 Drawing Sheets**



(56)

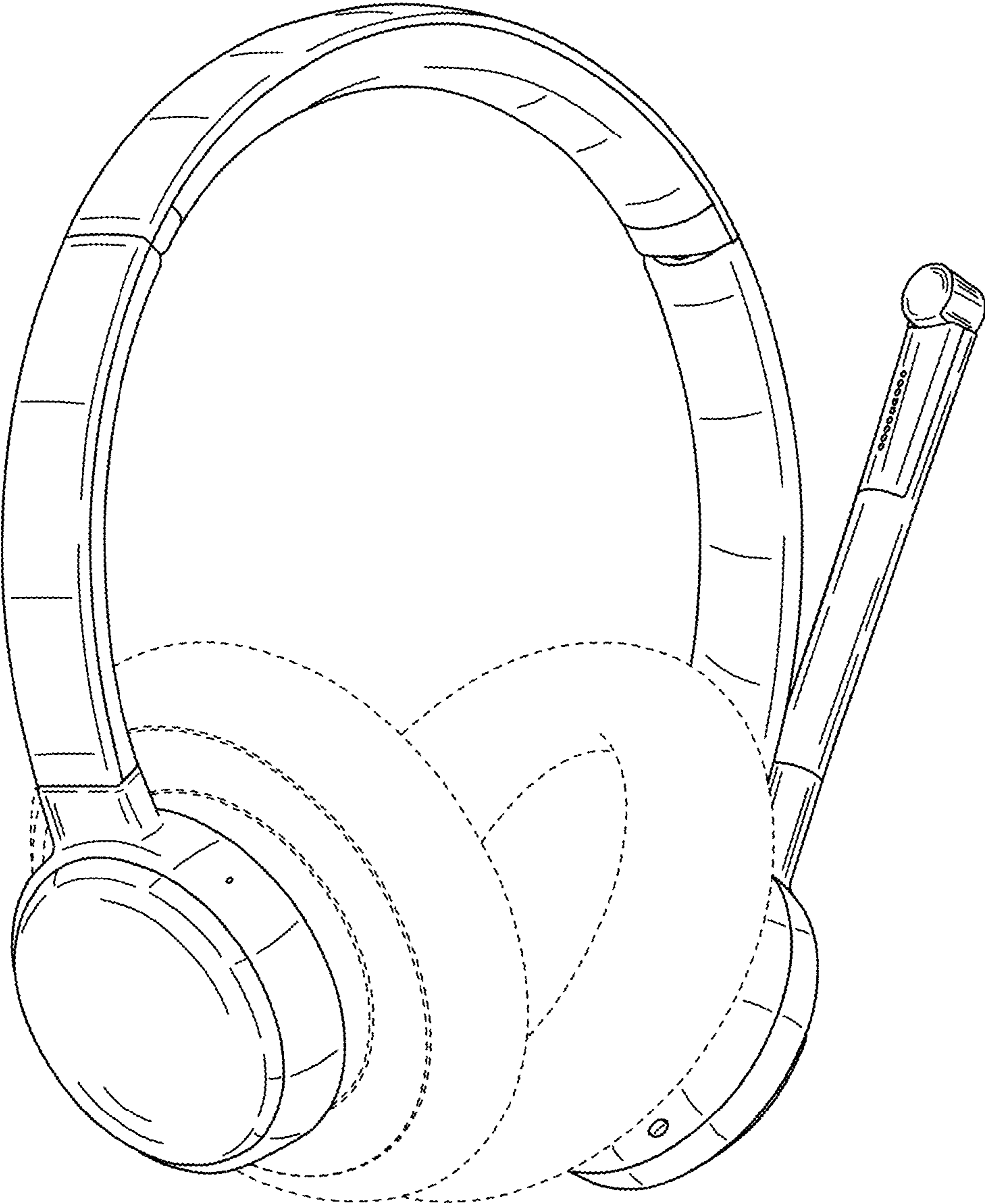
References Cited

U.S. PATENT DOCUMENTS

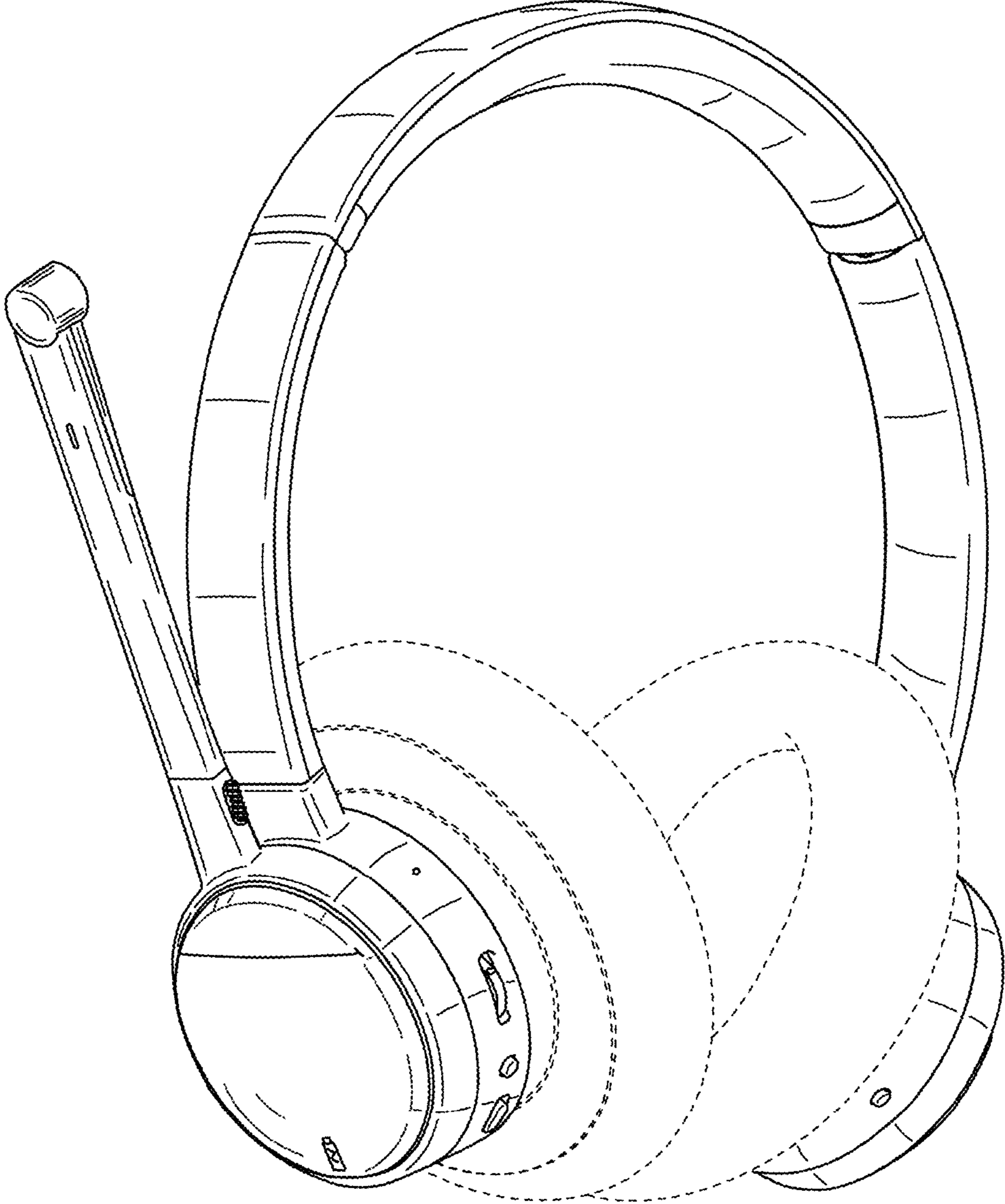
7,519,196 B2 *	4/2009	Bech	.....	H04R 1/105 381/384	D822,638 S *	7/2018	Liu	.....	D14/206
D601,543 S *	10/2009	Bentley	.....	D14/206	D851,628 S *	6/2019	Wernblad	.....	D14/206
D602,001 S *	10/2009	Bentley	.....	D14/206	D866,508 S *	11/2019	Lindof	.....	D14/206
D602,002 S *	10/2009	Asai	.....	D14/206	D866,509 S *	11/2019	Lindof	.....	D14/206
D612,835 S *	3/2010	Yang	.....	D14/206	D866,510 S *	11/2019	Lindof	.....	D14/206
D628,189 S *	11/2010	Rath	.....	D14/206	D866,513 S *	11/2019	Lindof	.....	D14/206
D638,000 S *	5/2011	Hoggarth	.....	D14/206	D866,514 S *	11/2019	Lindof	.....	D14/206
D641,337 S *	7/2011	Brandis	.....	D14/206	D875,073 S *	2/2020	Pedersen	.....	D14/206
D643,405 S *	8/2011	Rath	.....	D14/206	D893,446 S *	8/2020	Rodriguez	.....	D14/206
D645,023 S *	9/2011	Brandis	.....	D14/206	D898,701 S *	10/2020	Zhong	.....	D14/206
D648,330 S *	11/2011	Fischer	.....	D14/226	D926,724 S *	8/2021	D'Ambrosio	.....	D14/206
8,061,473 B1 *	11/2011	Kerr	.....	H04R 1/1016 181/135	D927,451 S *	8/2021	Paterson	.....	D14/206
D653,649 S *	2/2012	Yang	.....	D14/206	D927,455 S *	8/2021	Yang	.....	D14/206
D668,240 S *	10/2012	Brandis	.....	D14/206	D927,456 S *	8/2021	Paterson	.....	D14/206
D673,524 S *	1/2013	Brennwald	.....	D14/206	D927,457 S *	8/2021	Su	.....	D14/206
D681,014 S *	4/2013	Ham	.....	D14/206	D927,458 S *	8/2021	Su	.....	D14/206
D684,145 S *	6/2013	Rath	.....	D14/206	D927,459 S *	8/2021	Su	.....	D14/206
D712,875 S *	9/2014	Katori	.....	D14/206	D928,116 S *	8/2021	Su	.....	D14/206
D716,259 S *	10/2014	Awiszus	.....	D14/206	D956,013 S *	6/2022	Bellham	.....	D14/206
D719,135 S *	12/2014	Kelley	.....	D14/205	D968,367 S *	11/2022	Lindof	.....	D14/206
D732,002 S *	6/2015	Goransson	.....	D14/206	2011/0135134 A1 *	6/2011	Essabar	.....	H04R 1/1033 381/374
D760,690 S *	7/2016	Gecawicz	.....	D14/206	2012/0163616 A1 *	6/2012	Birch	.....	H04R 1/1066 381/74
D806,676 S *	1/2018	Fuglsang	.....	D14/206	2016/0198254 A1 *	7/2016	Gecawicz	.....	H04R 1/1008 381/375
					2020/0288234 A1 *	9/2020	Fletcher	.....	H04R 1/1066

\* cited by examiner

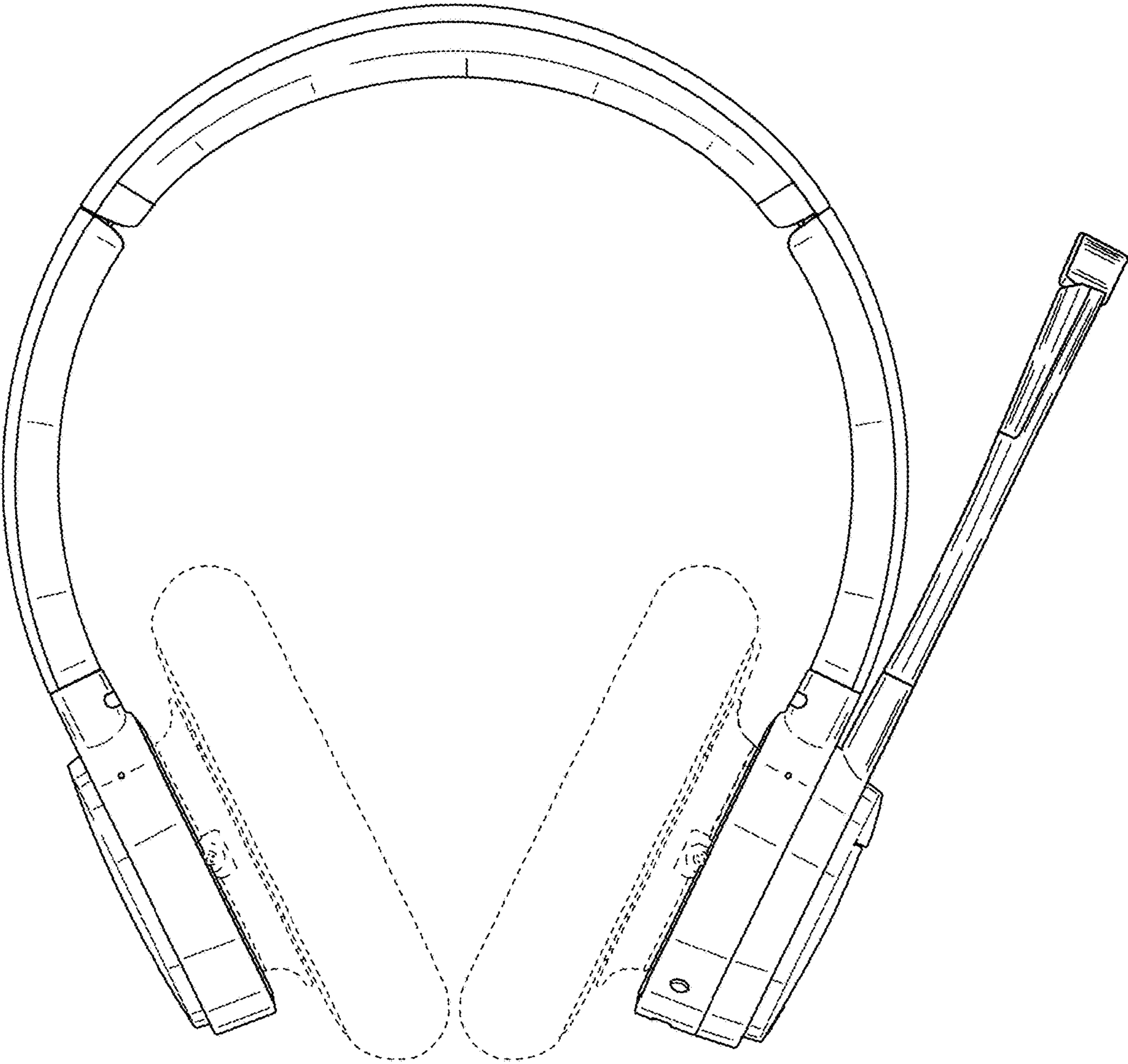
**FIG. 1**



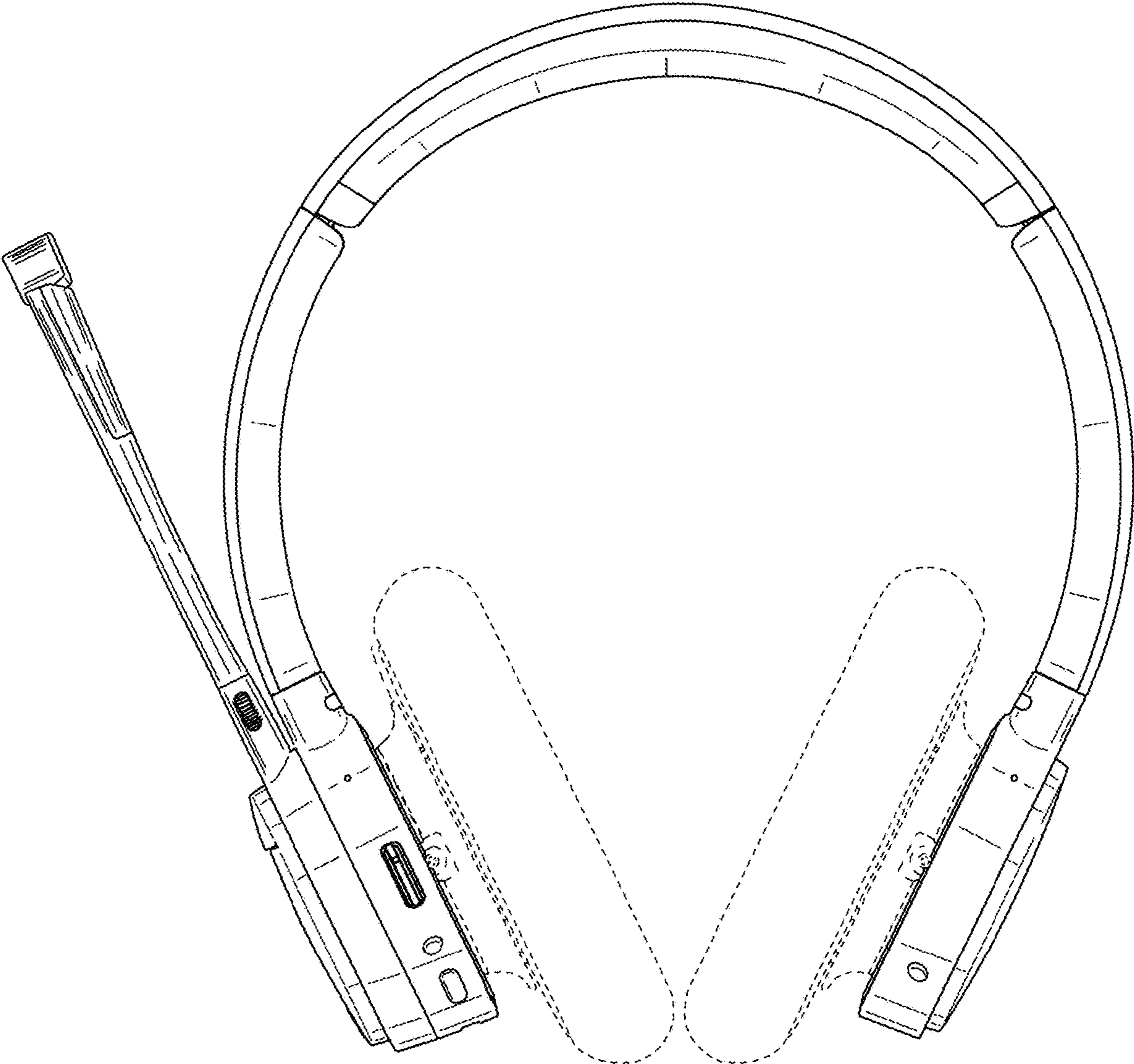
**FIG. 2**



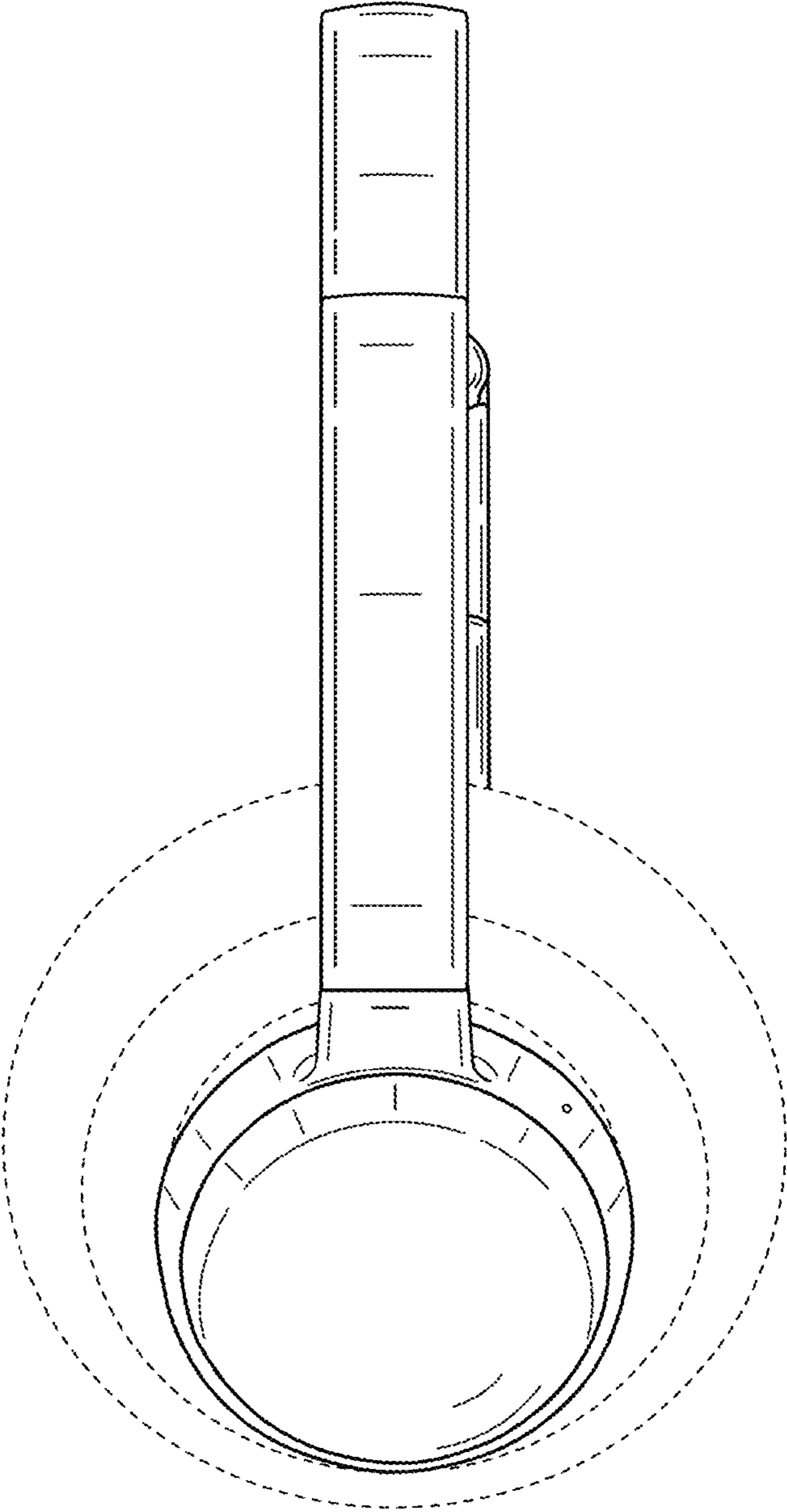
**FIG. 3**



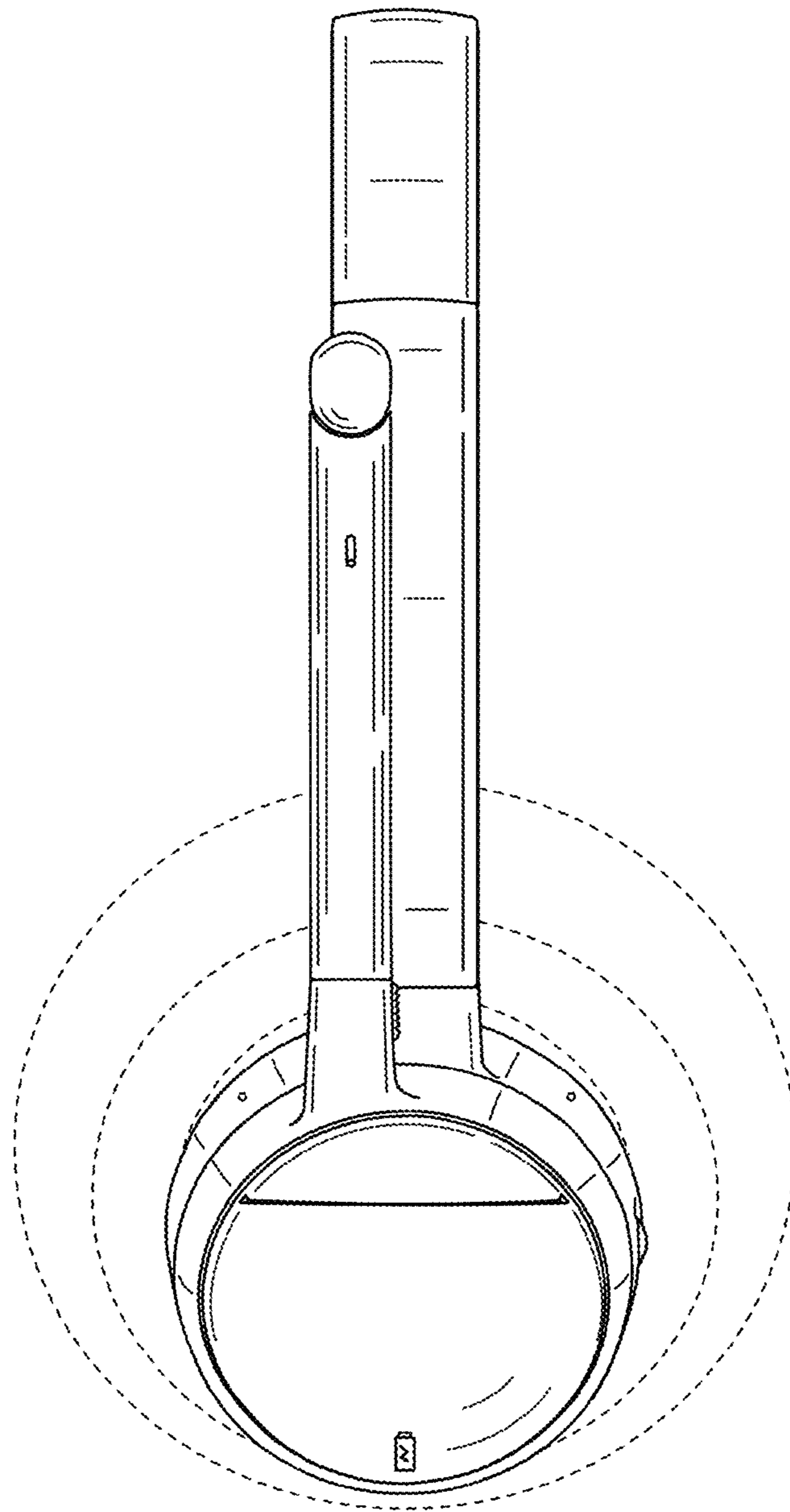
**FIG. 4**



**FIG. 5**

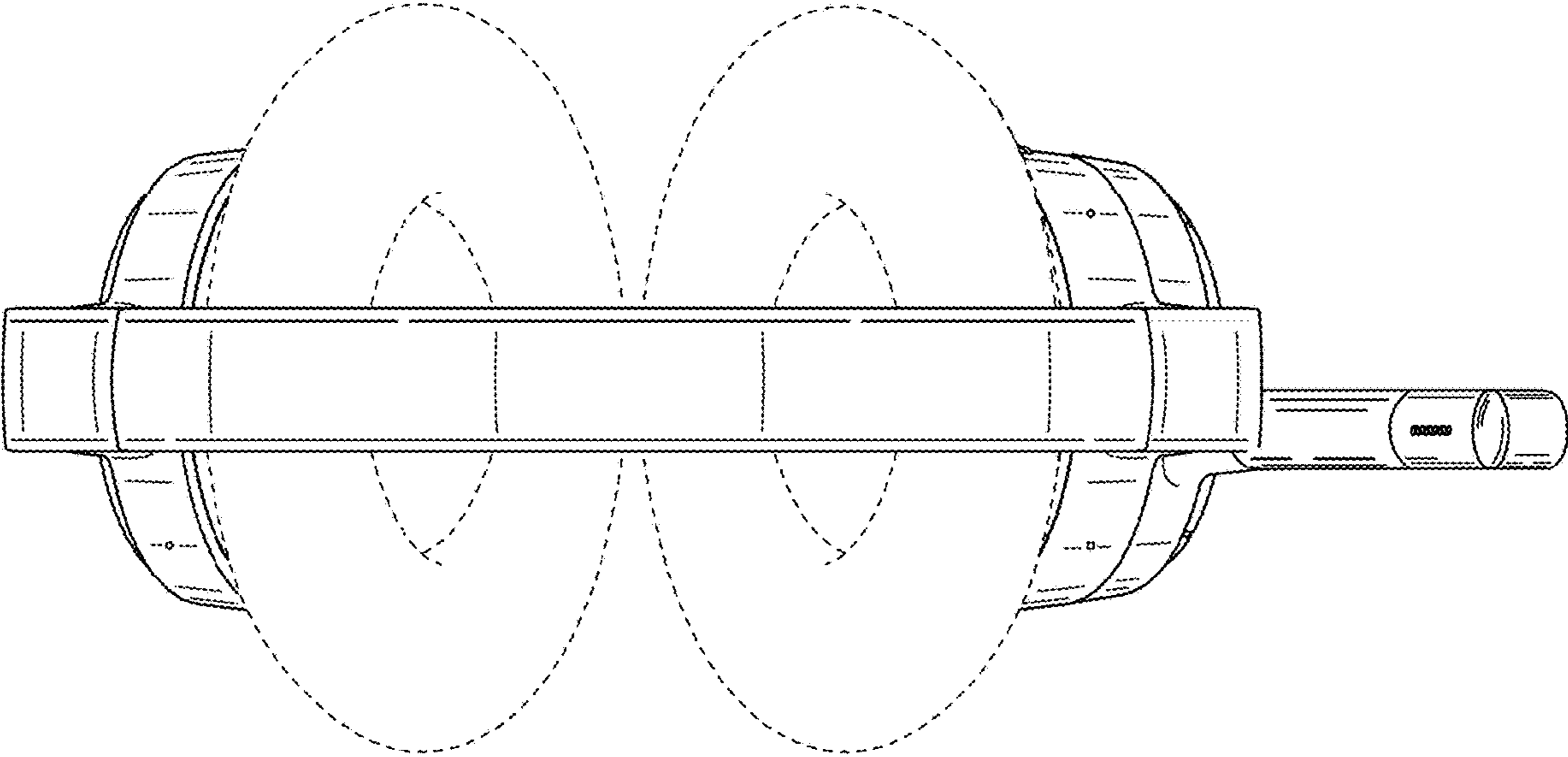


**FIG. 6**





**FIG. 7**



UNITED STATES PATENT AND TRADEMARK OFFICE  
**CERTIFICATE OF CORRECTION**

PATENT NO. : D989,742 S  
APPLICATION NO. : 29/866789  
DATED : June 20, 2023  
INVENTOR(S) : Jens Christian Lindof

Page 1 of 1

It is certified that error appears in the above-identified patent and that said Letters Patent is hereby corrected as shown below:

On the Title Page

At Column 1, Item (30) under Foreign Application Priority Data, delete:

“May 1, 2020 (EM)....007854161-0001

May 1, 2020 (EM).....007854161-0003

May 1, 2020 (EM)....007854161-0005”

And insert:

--May 1, 2020 (EM).....007854161--.

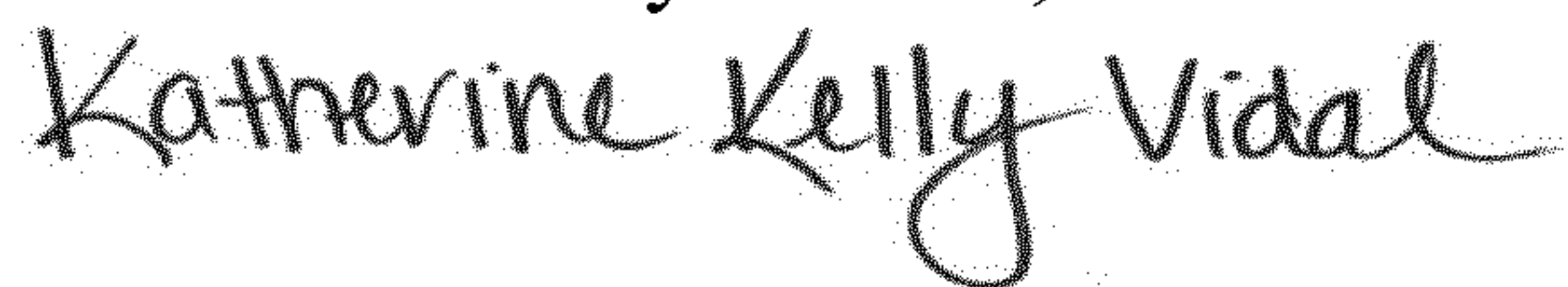
At Column 2, Item (57) DESCRIPTION, Line 1, delete:

“perpsective”

And insert:

--perspective--.

Signed and Sealed this  
Fourth Day of June, 2024



Katherine Kelly Vidal  
*Director of the United States Patent and Trademark Office*