



US00D989741S

(12) **United States Design Patent**  
**Akana et al.**

(10) **Patent No.:** **US D989,741 S**  
(45) **Date of Patent:** **\*\* Jun. 20, 2023**

(54) **HEADPHONES**

(71) Applicant: **Apple Inc.**, Cupertino, CA (US)

(72) Inventors: **Jody Akana**, Los Altos Hills, CA (US); **Molly Anderson**, San Francisco, CA (US); **Bartley K. Andre**, Palo Alto, CA (US); **Shota Aoyagi**, San Francisco, CA (US); **Anthony Michael Ashcroft**, San Francisco, CA (US); **Marine C. Bataille**, San Francisco, CA (US); **Jeremy Bataillou**, San Francisco, CA (US); **Abidur Rahman Chowdhury**, San Francisco, CA (US); **Clara Geneviève Marine Courtaigne**, Palo Alto, CA (US); **Markus Diebel**, San Francisco, CA (US); **Jonathan Gomez Garcia**, San Francisco, CA (US); **M. Evans Hankey**, San Francisco, CA (US); **Richard P. Howarth**, San Francisco, CA (US); **Jonathan P. Ive**, San Francisco, CA (US); **Julian Jaede**, San Francisco, CA (US); **Duncan Robert Kerr**, San Francisco, CA (US); **Peter Russell-Clarke**, San Francisco, CA (US); **Benjamin Andrew Shaffer**, San Jose, CA (US); **Sung-Ho Tan**, Vienna (AT); **Clement Tissandier**, San Francisco, CA (US); **Eugene Antony Whang**, San Francisco, CA (US)

(73) Assignee: **Apple Inc.**, Cupertino, CA (US)

(\*\*) Term: **15 Years**

(21) Appl. No.: **29/867,426**

(22) Filed: **Oct. 24, 2022**

**Related U.S. Application Data**

(63) Continuation of application No. 29/818,005, filed on Dec. 6, 2021, now Pat. No. Des. 967,796, which is a continuation of application No. 29/779,423, filed on Apr. 19, 2021, now Pat. No. Des. 937,806, which is

a continuation of application No. 29/731,849, filed on Apr. 17, 2020, now Pat. No. Des. 916,680.

(51) **LOC (14) Cl.** ..... **14-01**

(52) **U.S. Cl.**  
USPC ..... **D14/205**

(58) **Field of Classification Search**

USPC ..... D14/205, 188, 192; D29/112; 2/209; 381/380-381, 370, 374

CPC ..... H04R 25/00; H04R 25/02; H04R 1/10; H04R 1/1066; H04R 1/1016; H04R

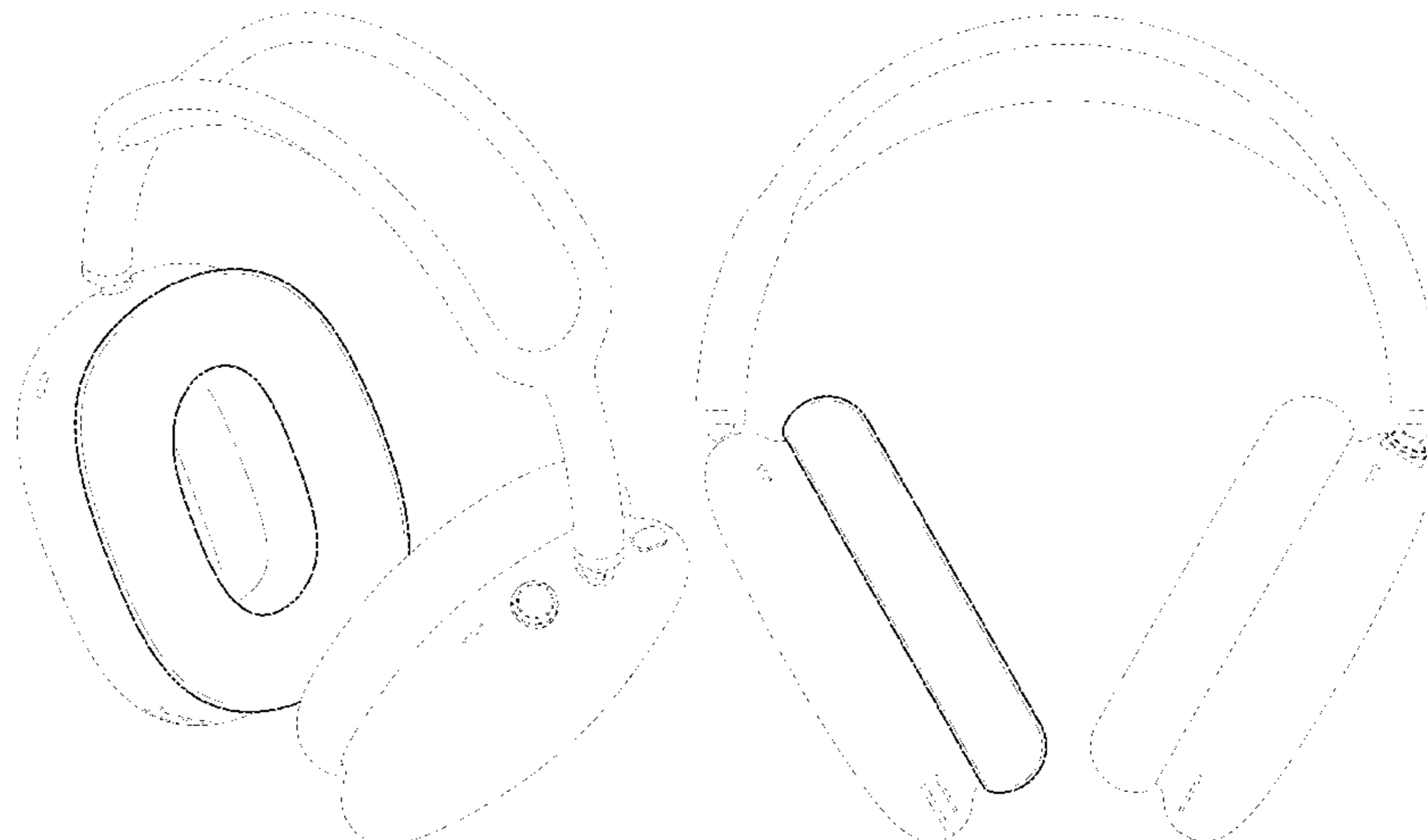
5/033; H04R 5/0335; H04R 1/105; H04R 1/1091; H04R 1/1008

See application file for complete search history.

(56) **References Cited**

**U.S. PATENT DOCUMENTS**

1,329,658 A	2/1920	Gernsback
1,368,307 A	2/1921	Waldron
1,990,420 A	2/1935	Staff
2,175,849 A	10/1939	Oliner
3,073,410 A	1/1963	Gongoll et al.
3,362,501 A	1/1968	Lenahan
3,593,341 A	7/1971	Aileo
3,694,867 A	10/1972	Stumpf
3,952,156 A	4/1976	Lahr
4,037,064 A	7/1977	Yasuda
D254,183 S	2/1980	Doodson
D254,616 S	4/1980	Tabata
D262,019 S	11/1981	Upshaw
D272,904 S	3/1984	Kawano
D274,723 S	7/1984	Kawachi
4,471,496 A	9/1984	Gardner, Jr. et al.
4,832,150 A	5/1989	Just et al.
4,905,322 A	3/1990	Aileo et al.
4,958,697 A	9/1990	Moody
4,993,074 A	2/1991	Carroll
5,020,163 A	6/1991	Aileo et al.
5,023,955 A	6/1991	Murphy, II et al.
D328,461 S	8/1992	Daido et al.
5,138,722 A	8/1992	Urella et al.
D348,466 S	7/1994	Yamatogi
D352,036 S	11/1994	Sekita
D353,818 S	12/1994	Nakamura
5,406,037 A	4/1995	Nageno et al.
D358,391 S	5/1995	Isono
D373,360 S	9/1996	Kanno
D375,312 S	11/1996	Kanno
D376,598 S	12/1996	Hayashi



# US D989,741 S

D423,012 S	4/2000	Yasutomi	D872,049 S	1/2020	Saule et al.
D443,872 S	6/2001	Mori	D873,237 S	1/2020	Ozawa et al.
D452,492 S	12/2001	Mori	D876,388 S	2/2020	Carr et al.
D457,512 S	5/2002	Yoneda	D878,329 S	3/2020	Levine et al.
D459,337 S	6/2002	Mori	D881,840 S	4/2020	Chen
D465,616 S	11/2002	Nilsson	D889,432 S	7/2020	Brunner et al.
D467,580 S	12/2002	Mori	D890,123 S	7/2020	Yoshimura
D476,639 S	7/2003	Bergeron et al.	10,721,550 B2	7/2020	Bunney et al.
6,611,963 B2	9/2003	Woo et al.	D893,446 S	8/2020	Rodriguez et al.
D484,485 S	12/2003	Matsuoka	D900,783 S	11/2020	Levine
6,724,906 B2	4/2004	Naksen et al.	D905,001 S	12/2020	Enqvist et al.
D502,695 S	3/2005	Suzuki	D909,991 S	2/2021	Nakayama et al.
D508,483 S	8/2005	Suzuki	D913,598 S	3/2021	Jesper et al.
D510,335 S	10/2005	Suzuki	D916,680 S	4/2021	Akana et al.
D517,045 S	3/2006	Komiyama	D926,725 S	8/2021	Akana et al.
D517,527 S	3/2006	Suzuki	D937,806 S	12/2021	Akana et al.
D519,110 S	4/2006	Komiyama	11,272,280 B1	3/2022	Minerbi et al.
D519,497 S	4/2006	Komiyama	D952,598 S	5/2022	Akana et al.
D520,492 S	5/2006	Chen	D953,288 S	5/2022	Akana et al.
7,172,052 B2	2/2007	Lenhard-Backhaus	D953,289 S	5/2022	Akana et al.
D538,261 S	3/2007	Taylor et al.	D959,406 S *	8/2022	Akana ..... D14/205
D542,774 S	5/2007	Rausch et al.	D967,796 S	10/2022	Akana et al.
D549,688 S	8/2007	Suzuki	D972,529 S *	12/2022	Akana ..... D14/205
D552,077 S	10/2007	Brunner et al.	2003/0210801 A1	11/2003	Naksen et al.
D563,382 S	3/2008	Wikel	2006/0104471 A1	5/2006	Tsunoda et al.
D567,215 S	4/2008	Lee	2010/0158301 A1	6/2010	Kuhtz et al.
D567,220 S	4/2008	Wang	2012/0125360 A1	5/2012	Hill et al.
7,388,960 B2	6/2008	Kuo et al.	2014/0219466 A1	8/2014	Saideh
7,457,649 B1	11/2008	Wilson	2016/0150306 A1	5/2016	Huang et al.
D588,098 S	3/2009	Kurihara	2016/0150307 A1	5/2016	Huang et al.
D598,438 S	8/2009	Seo	2016/0277828 A1	9/2016	Oh et al.
D601,124 S	9/2009	Uchimura et al.	2017/0019728 A1	1/2017	Cochran et al.
D613,266 S	4/2010	Barry et al.	2017/0180863 A1	6/2017	Biggs
D616,865 S	6/2010	Marchand et al.	2018/0270556 A1	9/2018	Kelley et al.
7,853,034 B1	12/2010	Gresko	2020/0053448 A1	2/2020	Heaston et al.
D632,668 S	2/2011	Brunner et al.	2021/0352388 A1	11/2021	Chen et al.
D633,896 S	3/2011	Kondo et al.			
D634,732 S	3/2011	Kondo et al.			
D637,176 S	5/2011	Brunner et al.			
D639,775 S	6/2011	Horibe et al.			
D642,554 S	8/2011	Schaal et al.			
D657,344 S	4/2012	Brunner et al.			
D657,345 S	4/2012	Brunner et al.			
D657,776 S	4/2012	Lee et al.			
D661,685 S	6/2012	Lee et al.			
D673,519 S	1/2013	Tan			
D673,520 S	1/2013	Tan			
D674,767 S	1/2013	Brunner et al.			
D684,559 S	6/2013	Groset et al.			
D691,582 S	10/2013	Nguyen et al.			
D705,750 S	5/2014	Wu et al.			
8,767,996 B1	7/2014	Lin et al.			
D716,760 S	11/2014	Brunner et al.			
D728,512 S	5/2015	Nakagawa			
D736,175 S	8/2015	Levine			
D739,842 S	9/2015	Birger			
D747,290 S	1/2016	Lee et al.			
D775,605 S	1/2017	Lee et al.			
D778,258 S	2/2017	Hsu et al.			
D780,156 S	2/2017	Petersen			
D791,734 S	7/2017	Ou			
D796,474 S	9/2017	Treski et al.			
D811,362 S	2/2018	Petersen			
D814,439 S	4/2018	Birath et al.			
D826,210 S	8/2018	Chong			
D830,993 S	10/2018	Petersen et al.			
D842,270 S	3/2019	Chen			
D843,345 S	3/2019	Brunner et al.			
D846,526 S	4/2019	Spencer			
D848,973 S	5/2019	Karacal			
D851,062 S	6/2019	Saule et al.			
D851,622 S	6/2019	Billaudet et al.			
10,362,380 B2	7/2019	Ito et al.			
D857,655 S	8/2019	Saule et al.			
D858,481 S	9/2019	Saule et al.			
D860,163 S	9/2019	Xia			
D867,327 S	11/2019	Brunner et al.			
D868,731 S	12/2019	Jung			
D871,368 S	12/2019	Saule et al.			

### FOREIGN PATENT DOCUMENTS

CA	198770	3/2022
CA	198773	* 3/2022
CA	198774	3/2022
CA	198776	3/2022
EM	008028526-0002	7/2020
EM	008205082-0006	10/2020
EM	008943435-0003	* 4/2022
EM	009071194-0001	* 6/2022
GB	6103600	10/2020
GB	6103621	10/2020
GB	6229063	* 9/2022
JP	D1479255	8/2013
JP	D1479204	9/2013
JP	D1557743	9/2016
JP	D1719769	* 7/2022
KR	30-0687072	3/2013
KR	301187070.0000	* 10/2022
RU	00124580	4/2021

\* cited by examiner

*Primary Examiner* — Paula Allen Greene  
(74) *Attorney, Agent, or Firm* — Sterne, Kessler, Goldstein & Fox P.L.L.C.

### (57) CLAIM

The ornamental design for headphones, as shown and described.

### DESCRIPTION

U.S. Design application Ser. No. 29/731,847, filed on Apr. 17, 2020, is also incorporated herein in its entirety by reference thereto.  
FIG. 1 is a top front perspective view of headphones showing the claimed design;

FIG. 2 is a bottom rear perspective view thereof;

FIG. 3 is a front view thereof;

FIG. 4 is a rear view thereof;

FIG. 5 is a left side view thereof;

FIG. 6 is a right side view thereof;

FIG. 7 is a top view thereof; and,

FIG. 8 is a bottom view thereof.

The broken lines in the figures show portions of the headphones that form no part of the claimed design.

**1 Claim, 7 Drawing Sheets**

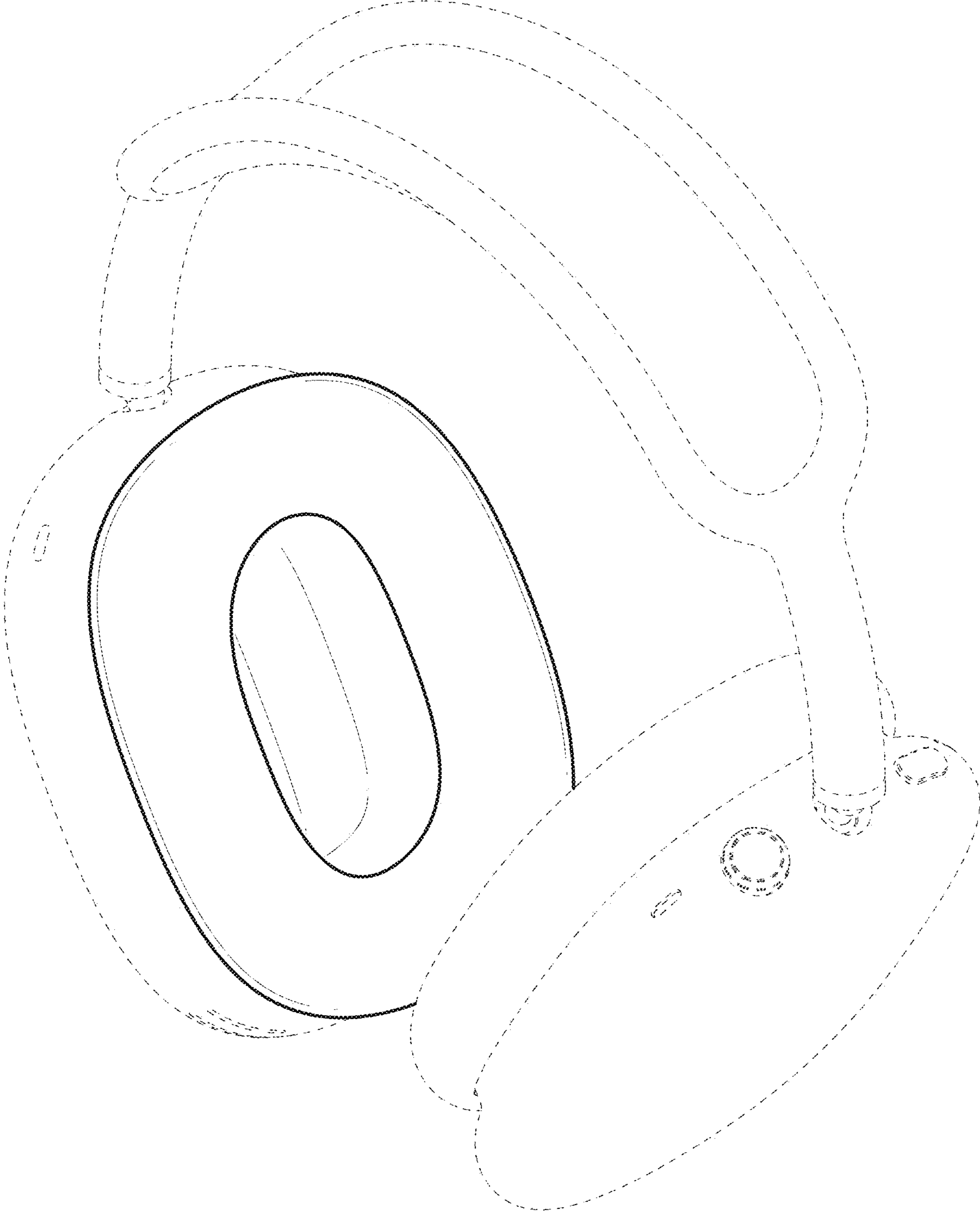


FIG. 1

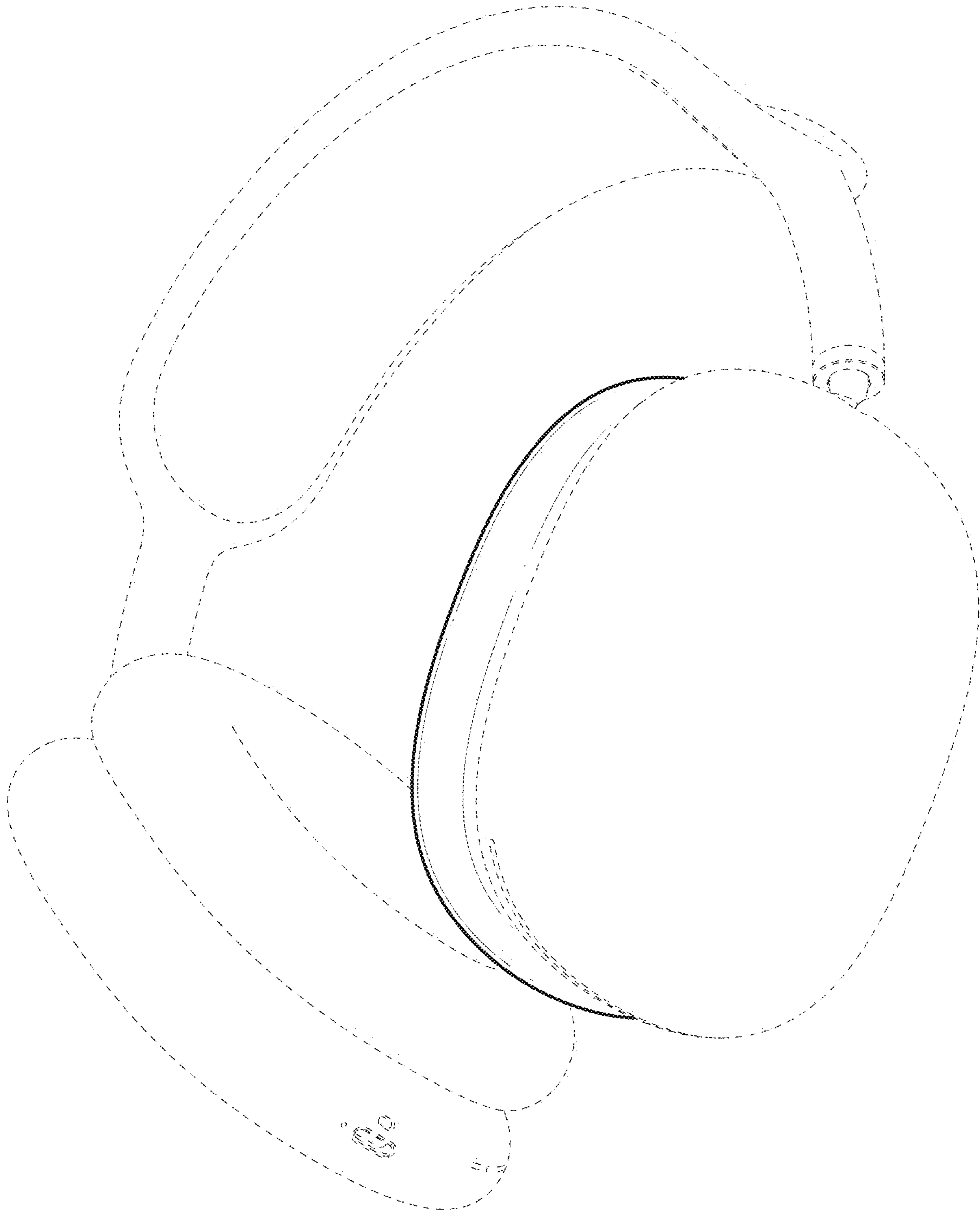


FIG. 2

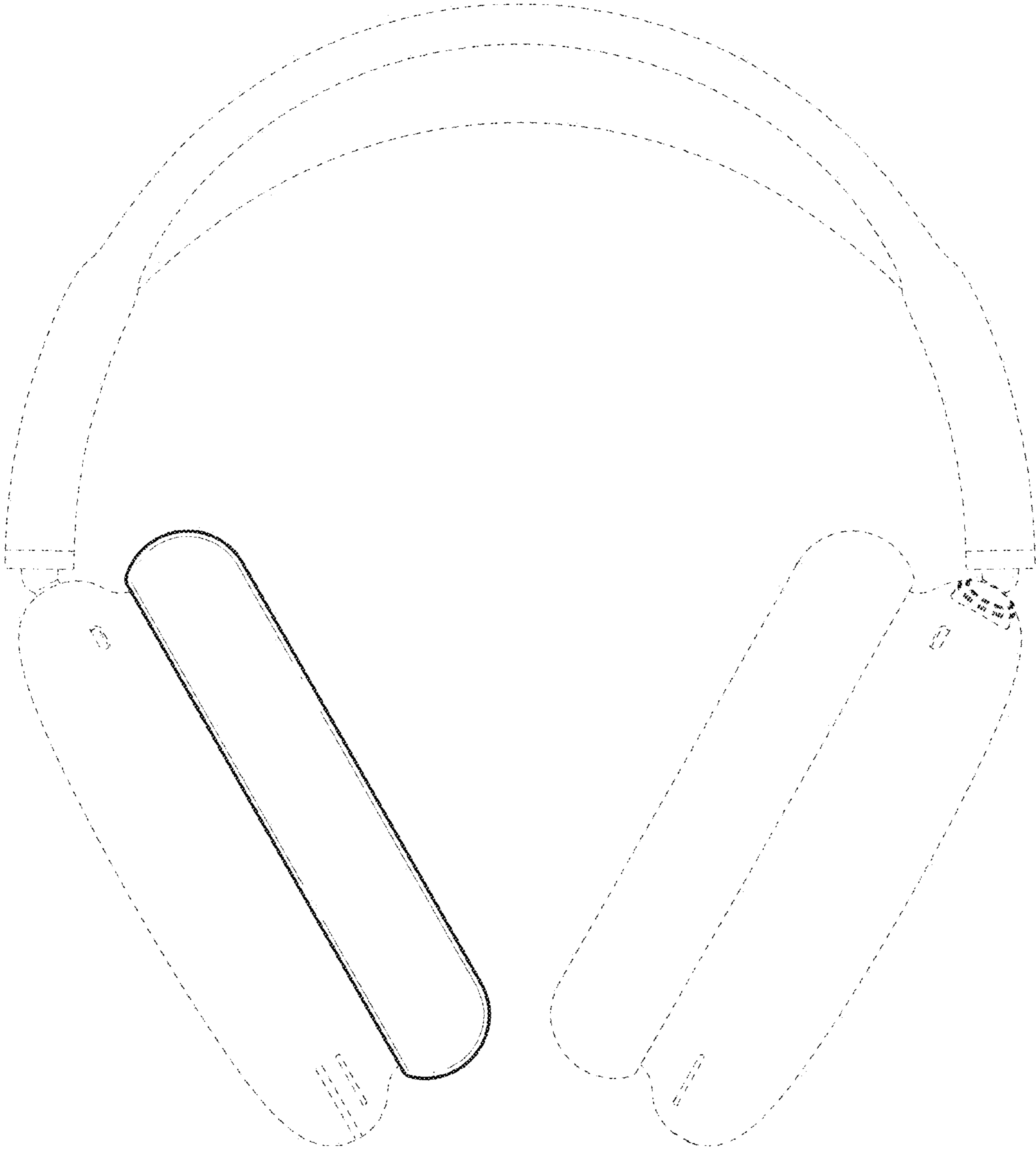


FIG. 3

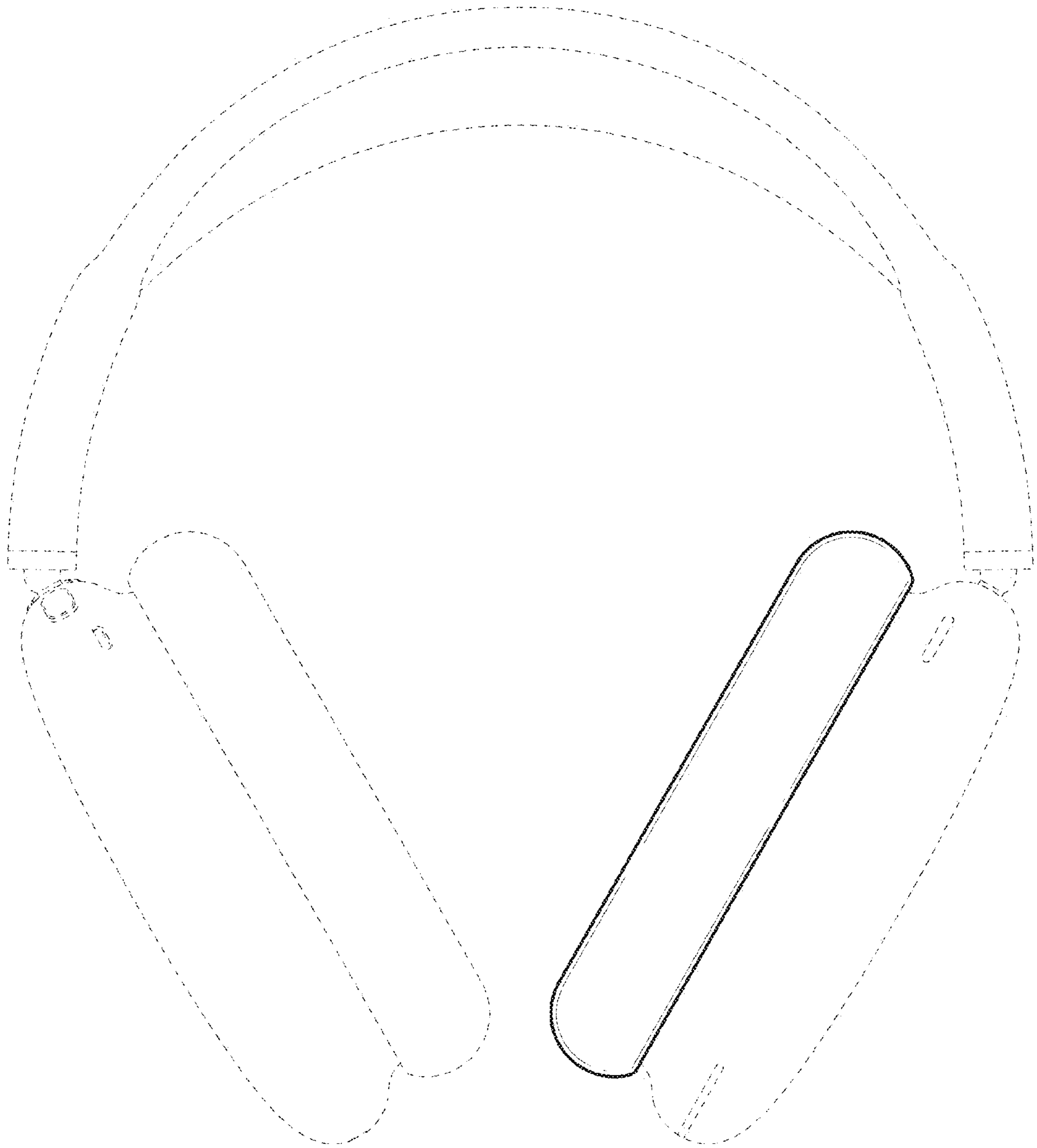
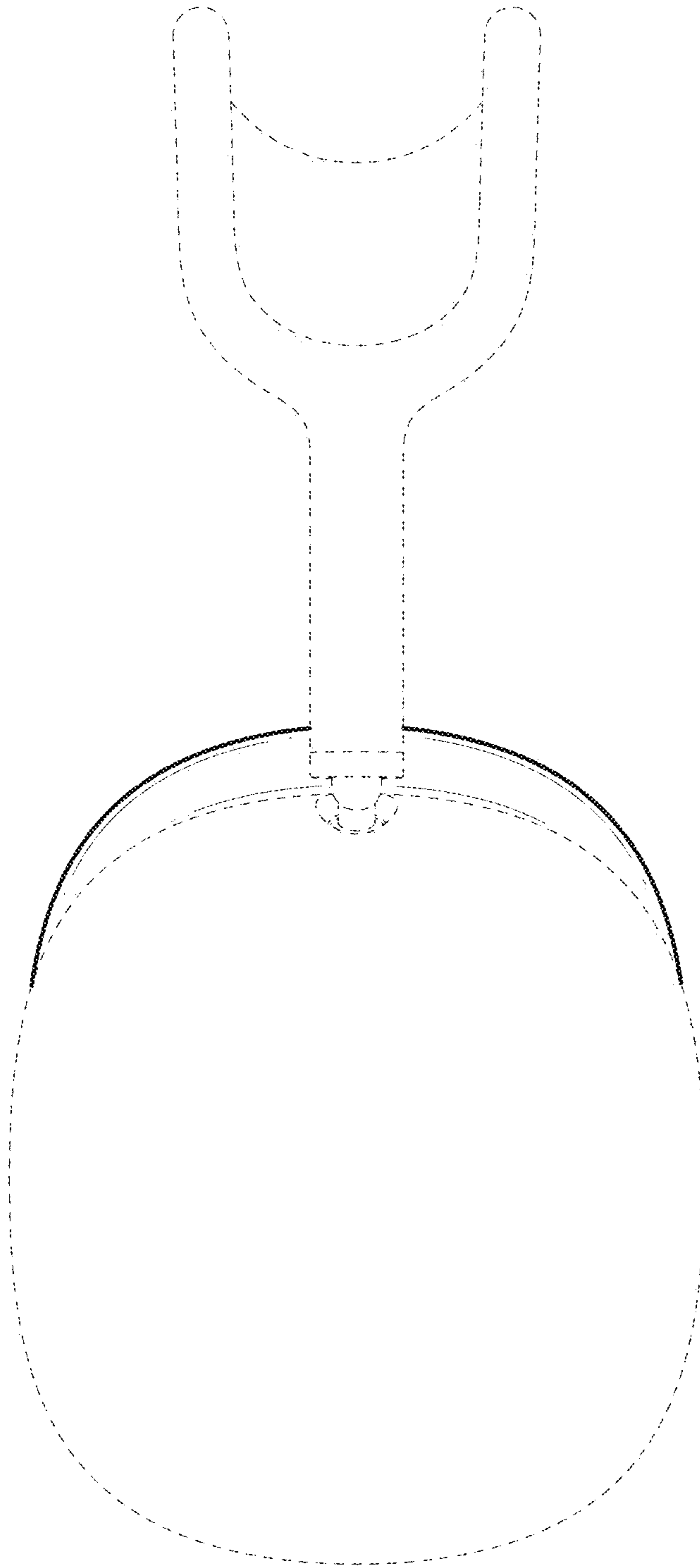


FIG. 4



**FIG. 5**



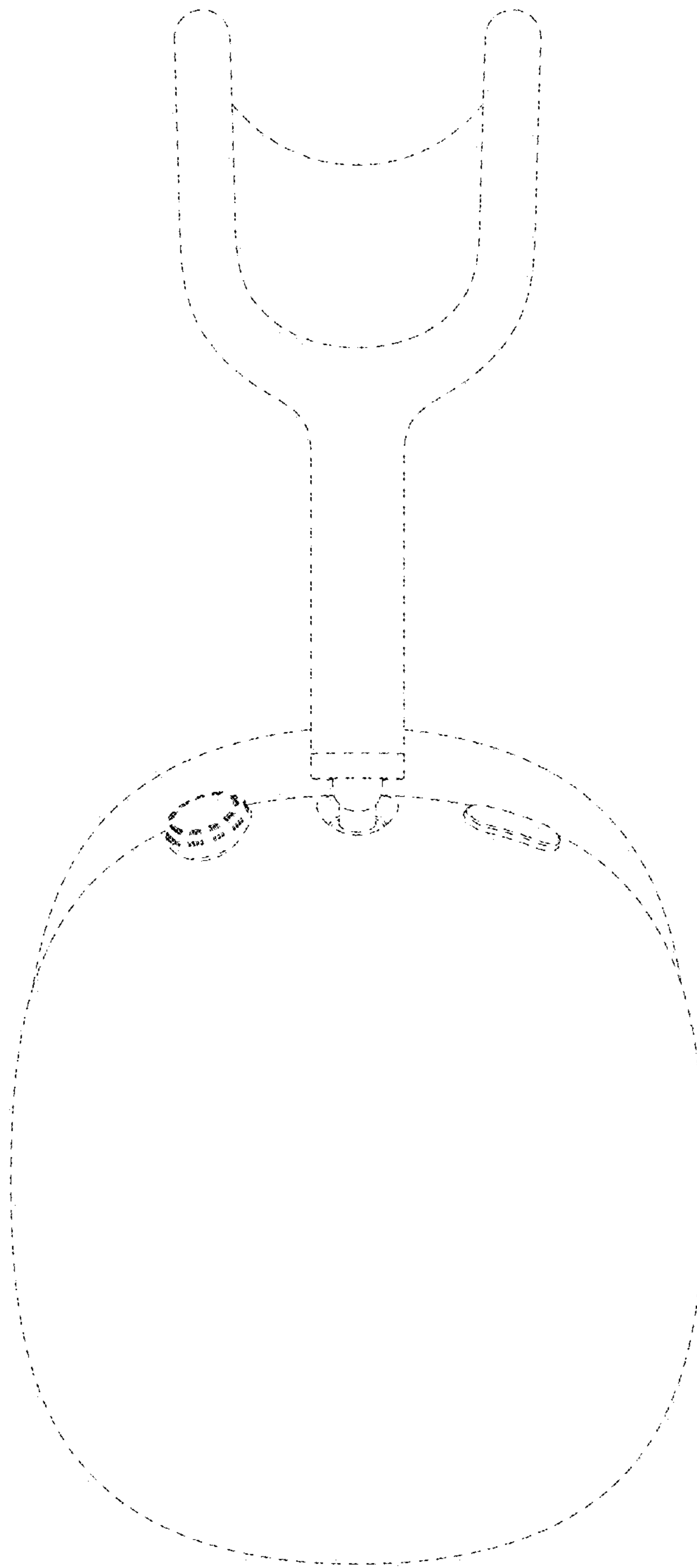


FIG. 6

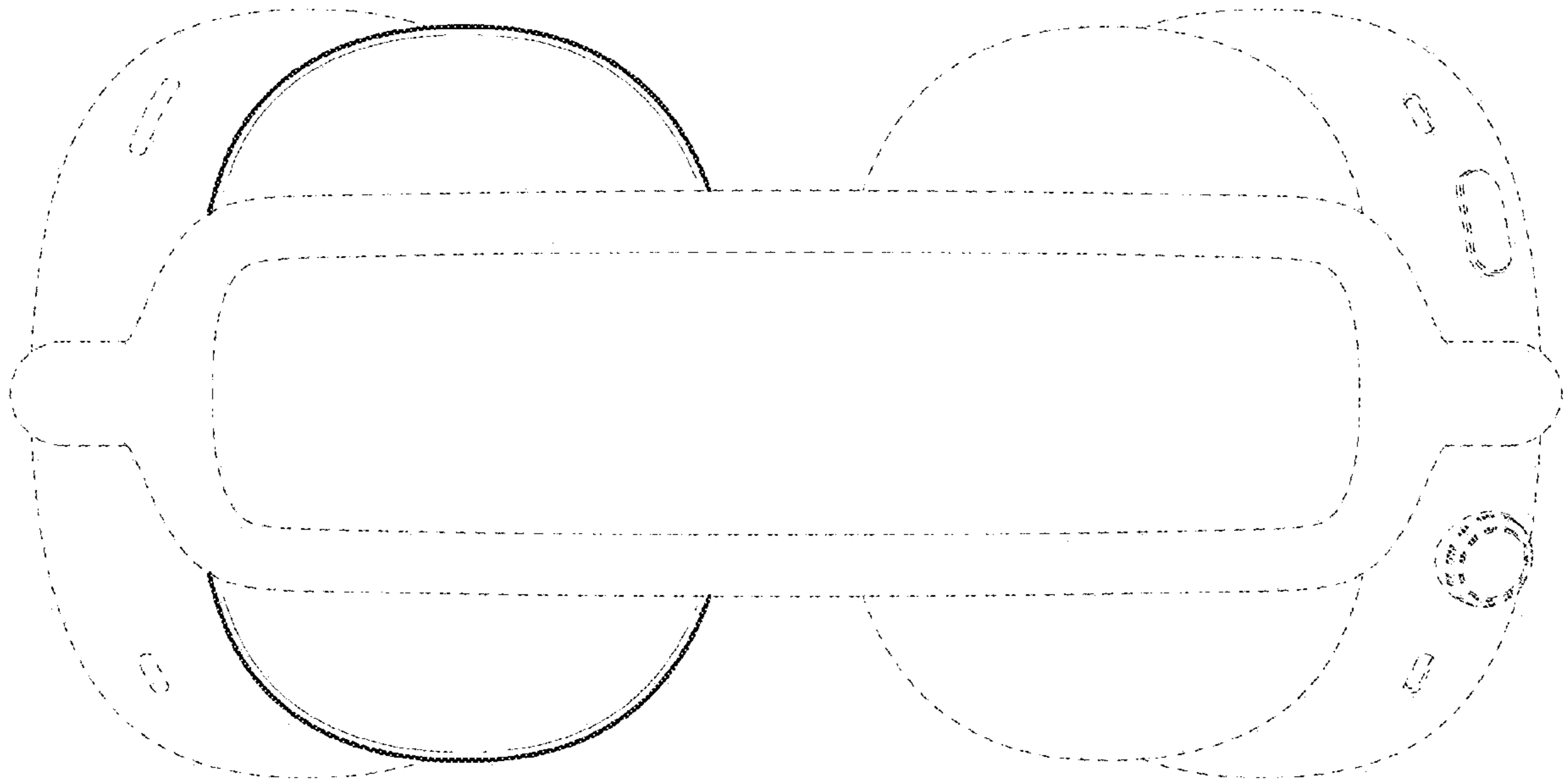


FIG. 7

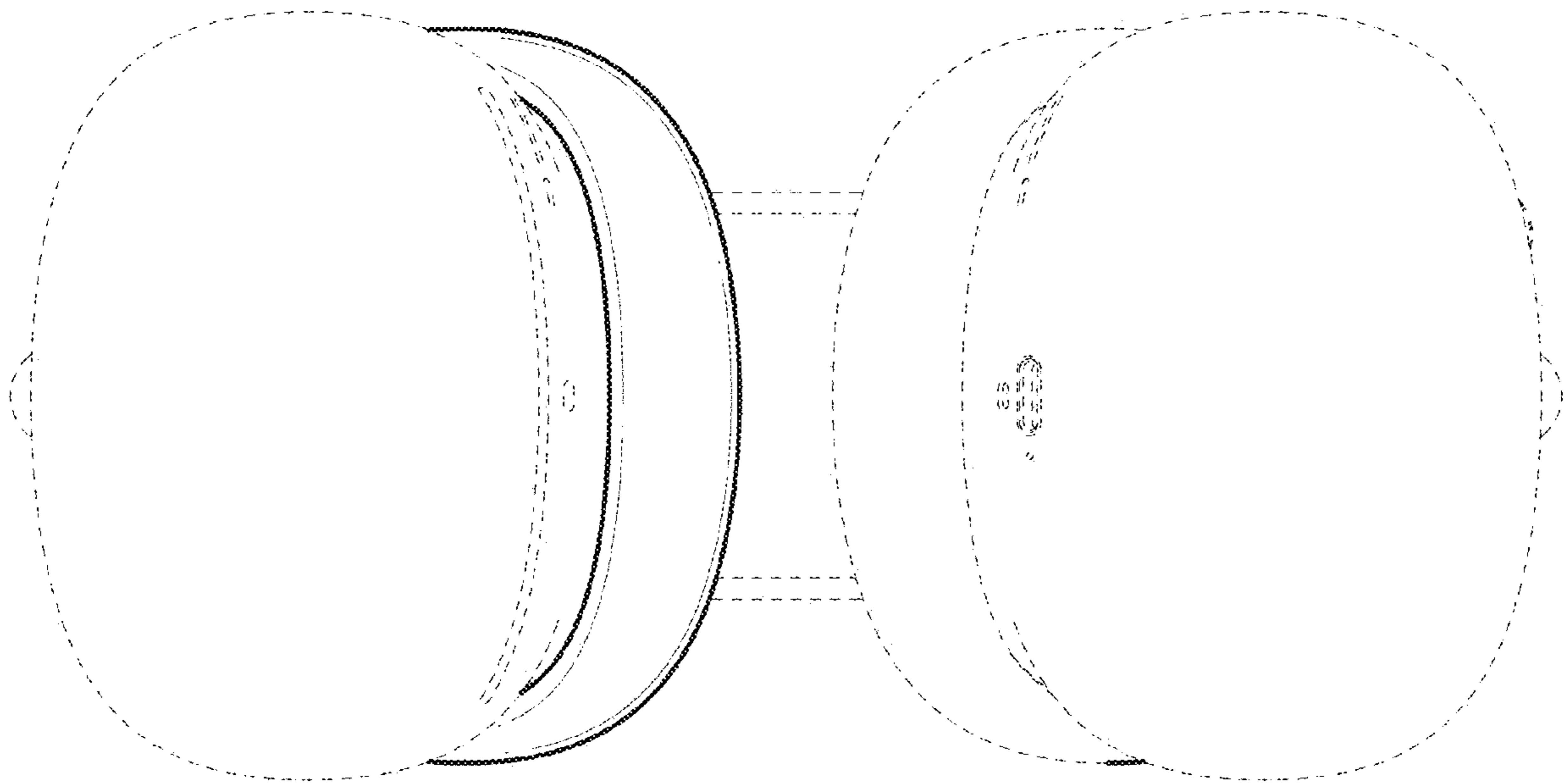


FIG. 8