



US00D989740S

(12) **United States Design Patent**  
**Brunner et al.**

(10) **Patent No.:** **US D989,740 S**  
(45) **Date of Patent:** **\*\* Jun. 20, 2023**

(54) **HEADSET**

(71) Applicant: **Apple Inc.**, Cupertino, CA (US)

(72) Inventors: **Robert Brunner**, Glen Ellen, CA (US);  
**Christopher Kuh**, San Francisco, CA (US)

(73) Assignee: **Apple Inc.**, Cupertino, CA (US)

(\*\*) Term: **15 Years**

(21) Appl. No.: **29/837,637**

(22) Filed: **May 6, 2022**

**Related U.S. Application Data**

(60) Continuation of application No. 29/804,762, filed on Aug. 23, 2021, now Pat. No. Des. 951,226, which is a continuation of application No. 29/713,080, filed on Nov. 13, 2019, now Pat. No. Des. 928,734, which is a continuation of application No. 29/634,460, filed on Jan. 22, 2018, now Pat. No. Des. 867,327, which is a continuation of application No. 29/568,227, filed on Jun. 16, 2016, now Pat. No. Des. 809,477, which is a continuation of application No. 29/527,761, filed on May 21, 2015, now Pat. No. Des. 760,688, which is a continuation of application No. 29/490,833, filed on May 14, 2014, now Pat. No. Des. 732,503, which is a continuation of application No. 29/471,109, filed on Oct. 28, 2013, now Pat. No. Des. 709,860, which is a  
(Continued)

(51) **LOC (14) Cl.** ..... **14-01**

(52) **U.S. Cl.**  
USPC ..... **D14/205**

(58) **Field of Classification Search**  
USPC ..... D14/206, 226, 205, 188, 192; D29/112;  
2/209; 381/380, 381, 374, 370, 375  
CPC ..... H04R 25/00; H04R 25/02; H04R 19/04;  
H04R 11/04; H04R 5/033; H04R 5/0335;  
H04R 1/105; H04R 1/1008; H04R  
1/1091; H04R 1/1075

See application file for complete search history.

(56) **References Cited**

**U.S. PATENT DOCUMENTS**

1,066,511 A 7/1913 Markoff  
1,367,746 A 2/1921 Kent  
2,149,341 A 3/1939 Harrison  
(Continued)

**FOREIGN PATENT DOCUMENTS**

EM 001334221-0001 7/2012  
GB 2072035 B 1/1998  
(Continued)

**OTHER PUBLICATIONS**

Office Action dated Dec. 10, 2010 for Russian Report Application No. 2010501890.

(Continued)

*Primary Examiner* — Paula Allen Greene  
(74) *Attorney, Agent, or Firm* — Sterne, Kessler, Goldstein & Fox P.L.L.C.

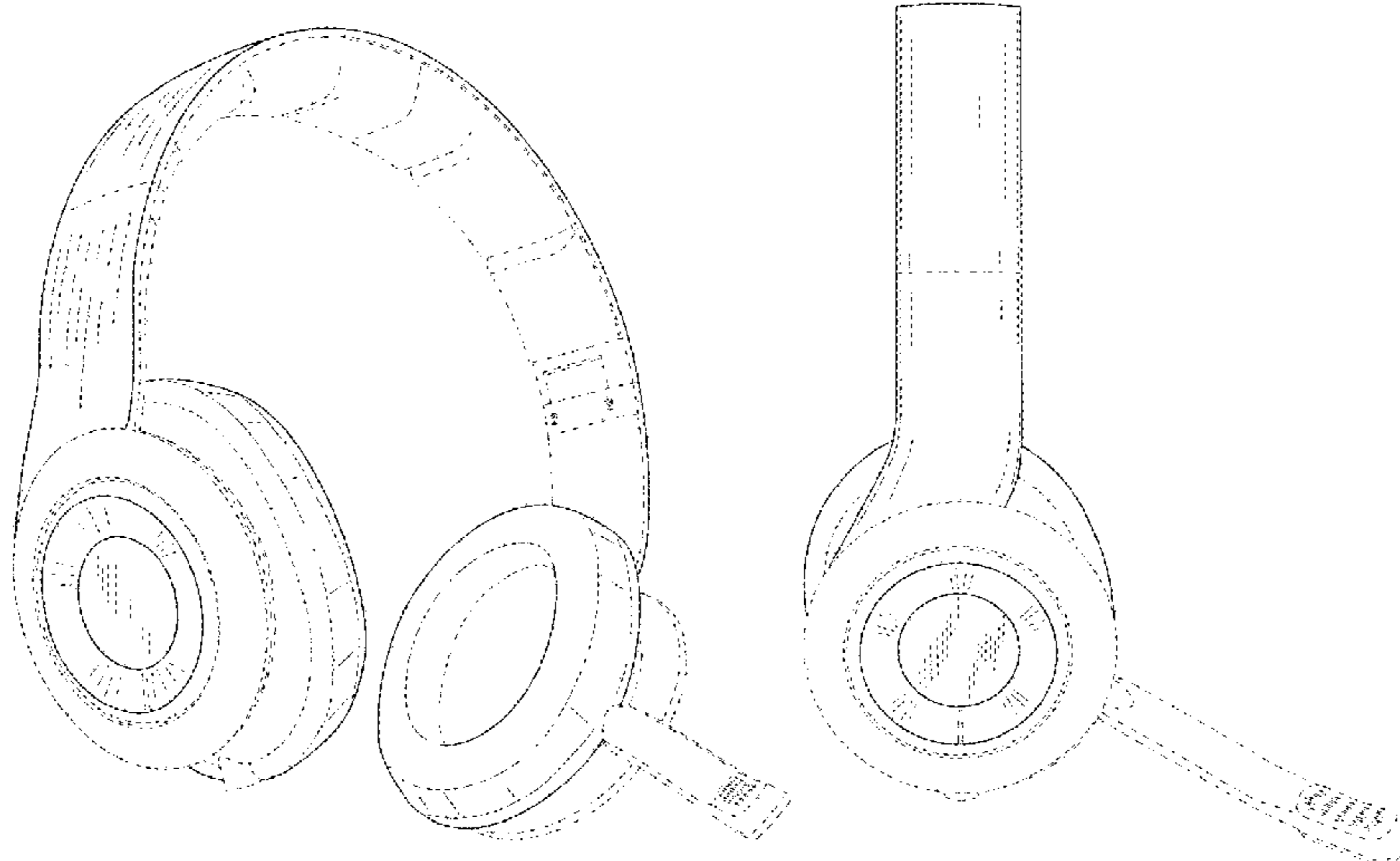
(57) **CLAIM**

The ornamental design for a headset, as shown and described.

**DESCRIPTION**

FIG. 1 is a front perspective view of a headset showing the claimed design;  
FIG. 2 is a rear view thereof;  
FIG. 3 is a bottom view thereof;  
FIG. 4 is a front view thereof;  
FIG. 5 is a right side view thereof;  
FIG. 6 is a left side view thereof; and,  
FIG. 7 is a top view thereof.  
The broken lines in the figures show portions of the headset that form no part of the claimed design.

**1 Claim, 7 Drawing Sheets**



**Related U.S. Application Data**

division of application No. 29/410,584, filed on Jan. 9, 2012, now Pat. No. Des. 692,410.

(56)

**References Cited**

U.S. PATENT DOCUMENTS

3,104,398 A 9/1963 Palmaer  
 D203,677 S 2/1966 Spilman et al.  
 D229,833 S 1/1974 Becker  
 D244,300 S 5/1977 Besasie  
 4,173,715 A 11/1979 Gosman  
 D254,183 S 2/1980 Doodson  
 D254,876 S 5/1980 Reitenga et al.  
 D255,352 S 6/1980 Besasie  
 4,385,209 A 5/1983 Greason et al.  
 4,404,445 A 9/1983 Baran et al.  
 4,609,786 A 9/1986 Omoto et al.  
 D286,874 S 11/1986 Bertagna et al.  
 4,634,816 A 1/1987 O'Malley et al.  
 4,875,233 A 10/1989 Derhaag et al.  
 D313,092 S 12/1990 Nilsson  
 5,018,599 A 5/1991 Dohi et al.  
 5,035,005 A 7/1991 Hung  
 D328,074 S 7/1992 Yamazaki et al.  
 D328,461 S 8/1992 Daido et al.  
 D338,010 S 8/1993 Yamatogi  
 D351,172 S 10/1994 Nakamura et al.  
 D358,389 S 5/1995 Isono  
 D374,658 S 10/1996 Bever et al.  
 D375,825 S 11/1996 Whidden  
 D392,629 S 3/1998 Amafuji et al.  
 D394,649 S 5/1998 Pombo  
 5,812,680 A 9/1998 Glendon  
 D403,128 S 12/1998 Scanlon et al.  
 D420,356 S 2/2000 Suzuki  
 D422,592 S 4/2000 Deguchi  
 6,081,604 A 6/2000 Hikichi et al.  
 D430,140 S 8/2000 Roman  
 D435,249 S 12/2000 Yasutomi  
 6,163,615 A 12/2000 Callahan  
 6,195,839 B1 3/2001 Patterson et al.  
 D457,512 S 5/2002 Yoneda  
 6,449,806 B1 9/2002 Engelhard et al.  
 D468,723 S 1/2003 Pham et al.  
 6,560,346 B2 5/2003 Ohta et al.  
 D484,485 S 12/2003 Matsuoka  
 6,654,966 B2 12/2003 Rolla  
 D484,868 S 1/2004 Suzuki  
 6,678,897 B2 1/2004 Lindgren  
 D491,163 S 6/2004 Green  
 D502,938 S 3/2005 Tokioka et al.  
 D504,883 S 5/2005 Jacobson et al.  
 D512,381 S 12/2005 Sirichai et al.  
 D512,417 S 12/2005 Hirakawa et al.  
 D512,708 S 12/2005 Harris, Jr. et al.  
 D512,981 S 12/2005 Jacobson et al.  
 D517,043 S 3/2006 Jacobson et al.  
 7,072,483 B2 7/2006 Lenhard-Backhaus  
 D532,407 S 11/2006 Motoishi  
 D534,155 S 12/2006 Obata  
 D534,156 S 12/2006 Obata  
 7,172,052 B2 2/2007 Lenhard-Backhaus  
 D539,788 S 4/2007 Thompson et al.  
 D540,301 S 4/2007 Obata  
 D540,303 S 4/2007 Rausch et al.  
 D541,255 S 4/2007 Taylor et al.  
 D541,256 S 4/2007 Rausch et al.  
 D541,257 S 4/2007 Thursfield  
 D552,077 S 10/2007 Brunner et al.  
 D557,684 S 12/2007 Pundsack et al.  
 D560,654 S 1/2008 Feng  
 D563,382 S 3/2008 Wikel  
 D563,995 S 3/2008 Deguchi et al.  
 7,356,362 B2 4/2008 Chang et al.  
 D582,890 S 12/2008 Koza et al.  
 D584,715 S 1/2009 Brennwald

D585,870 S 2/2009 Zheng et al.  
 D585,871 S 2/2009 Lee  
 D585,872 S 2/2009 Lee  
 D588,098 S 3/2009 Kurihara  
 D588,100 S 3/2009 Densho et al.  
 D591,263 S 4/2009 Shimizu  
 D592,182 S 5/2009 Sanguinetti  
 D592,640 S 5/2009 Tkachuk  
 D593,995 S 6/2009 Shimizu  
 D600,674 S 9/2009 Brennwald  
 D603,370 S 11/2009 Suzuki  
 D603,371 S 11/2009 Boateng et al.  
 D616,865 S 6/2010 Marchand et al.  
 D617,769 S 6/2010 Birger  
 7,735,154 B2 6/2010 Gellis et al.  
 D625,705 S 10/2010 Otori et al.  
 D632,668 S 2/2011 Brunner et al.  
 D633,896 S 3/2011 Kondo et al.  
 D635,959 S 4/2011 Hutchieson  
 D637,176 S 5/2011 Brunner et al.  
 D637,998 S 5/2011 Brunner et al.  
 D637,999 S 5/2011 Brunner et al.  
 D638,000 S 5/2011 Hoggarth  
 D639,776 S 6/2011 Arimoto  
 D641,725 S 7/2011 Chong et al.  
 D648,330 S 11/2011 Fischer  
 D652,017 S 1/2012 Groves et al.  
 D652,405 S 1/2012 Lee et al.  
 D652,406 S 1/2012 Lee et al.  
 D654,471 S 2/2012 Fischer  
 D654,472 S 2/2012 Fischer  
 D657,344 S 4/2012 Brunner et al.  
 D657,345 S 4/2012 Brunner et al.  
 D657,776 S 4/2012 Lee et al.  
 D660,823 S 5/2012 Hardi et al.  
 D660,824 S 5/2012 Hardi et al.  
 D660,826 S 5/2012 Brunner et al.  
 D662,490 S 6/2012 McSweyn  
 D663,716 S 7/2012 Hardi et al.  
 D673,136 S 12/2012 Kelly et al.  
 D673,518 S 1/2013 Tan  
 D673,520 S 1/2013 Tan  
 D674,767 S 1/2013 Brunner et al.  
 D675,595 S 2/2013 Cho et al.  
 D677,647 S 3/2013 Lee et al.  
 D683,329 S 5/2013 Hagelin  
 D691,112 S \* 10/2013 Brunner ..... D14/206  
 D691,579 S 10/2013 Lee et al.  
 D691,984 S 10/2013 Wang  
 D692,410 S \* 10/2013 Brunner ..... H04R 1/1008  
 D14/206  
 D693,791 S 11/2013 Troy  
 D696,226 S 12/2013 Brunner et al.  
 D698,749 S 2/2014 Brunner et al.  
 D704,163 S 5/2014 Brunner et al.  
 D709,860 S \* 7/2014 Brunner ..... H04S 1/005  
 D14/205  
 D711,348 S 8/2014 Yang  
 D716,760 S 11/2014 Brunner et al.  
 D732,503 S \* 6/2015 Brunner ..... H04R 1/1008  
 D14/206  
 9,084,055 B2 7/2015 Brunner et al.  
 D760,688 S \* 7/2016 Brunner ..... H04R 1/1008  
 D14/206  
 D764,435 S 8/2016 Brunner et al.  
 D767,531 S 9/2016 Szymanski  
 D775,104 S 12/2016 Lee et al.  
 D778,258 S 2/2017 Hsu et al.  
 D780,713 S 3/2017 Szymanski  
 D782,995 S 4/2017 Matthews  
 D786,824 S 5/2017 Hembrey  
 D787,470 S 5/2017 Kelly et al.  
 D794,601 S 8/2017 Riggs et al.  
 D795,835 S 8/2017 Nagamine et al.  
 D797,074 S 9/2017 Martin et al.  
 D797,075 S 9/2017 Mauro  
 D800,691 S 10/2017 Ando et al.  
 D808,358 S 1/2018 Dennis



(56)

References Cited

U.S. PATENT DOCUMENTS

D809,477 S \* 2/2018 Brunner ..... H04R 1/1008  
D14/205

D809,478 S 2/2018 Arimoto et al.

D811,365 S 2/2018 Czaniecki

D813,837 S 3/2018 Paterson

D814,438 S \* 4/2018 Brunner ..... D14/205

D815,614 S 4/2018 Tzeng et al.

D826,210 S 8/2018 Chong

D826,895 S 8/2018 Sharp et al.

D827,607 S 9/2018 Ando et al.

D828,326 S 9/2018 Ye

D830,333 S 10/2018 Carr

D832,813 S 11/2018 Levine et al.

D834,557 S 11/2018 Hardi

D836,084 S 12/2018 Xie

D838,687 S 1/2019 Wu

D840,370 S 2/2019 Kelly et al.

D840,970 S 2/2019 Dryden et al.

D860,969 S \* 9/2019 Brunner ..... D14/205

D867,327 S \* 11/2019 Brunner ..... H04R 1/1008  
D14/205

D889,432 S \* 7/2020 Brunner ..... D14/205

D922,978 S \* 6/2021 Brunner ..... D14/205

D928,734 S \* 8/2021 Brunner ..... H04R 1/1008  
D14/205

D941,262 S \* 1/2022 Brunner ..... D14/206

D951,226 S \* 5/2022 Brunner ..... H04S 1/005  
D14/205

D969,773 S \* 11/2022 Brunner ..... D14/206

2003/0182713 A1 10/2003 Rolla

2004/0216946 A1 11/2004 Lenhard-Backhaus

2005/0053255 A1 3/2005 Harris et al.

2005/0226452 A1 10/2005 Amae et al.

2006/0001307 A1 1/2006 Embach

2006/0062417 A1 3/2006 Tachikawa

2006/0104471 A1 5/2006 Tsunoda et al.

2008/0056525 A1 3/2008 Fujiwara et al.

2009/0220118 A1 9/2009 Meier et al.

2010/0128884 A1 5/2010 Sapiejewski et al.

2010/0284558 A1 11/2010 Kimura et al.

2011/0206216 A1 8/2011 Brunner et al.

2011/0249856 A1 10/2011 Takei

2014/0211976 A1\* 7/2014 Brunner ..... H04R 1/1066  
381/374

FOREIGN PATENT DOCUMENTS

JP D1318386 12/2007

JP D1406347 1/2011

JP D1430542 12/2011

KR 30-0476152 1/2008

NZ 416489-0001 \* 9/2012

NZ 416491-0001 \* 10/2012

WO WO 2007/103561 A2 9/2007

WO WO 2012/094176 A2 7/2012

OTHER PUBLICATIONS

Search Report dated Mar. 31, 2011 for Taiwan Patent Application No. 099303306.

Search Report and Written Opinion for PCT Application No. PCT/US11/67045 dated Sep. 27, 2012.

Taiwan Office Action for Taiwan Application No. 101303990 dated Aug. 26, 2013.

Taiwan Office Action for Taiwan Application No. 101301117 dated Aug. 26, 2013.

Taiwan Office Action for Taiwan Application No. 102302000 dated Aug. 26, 2013.

\* cited by examiner

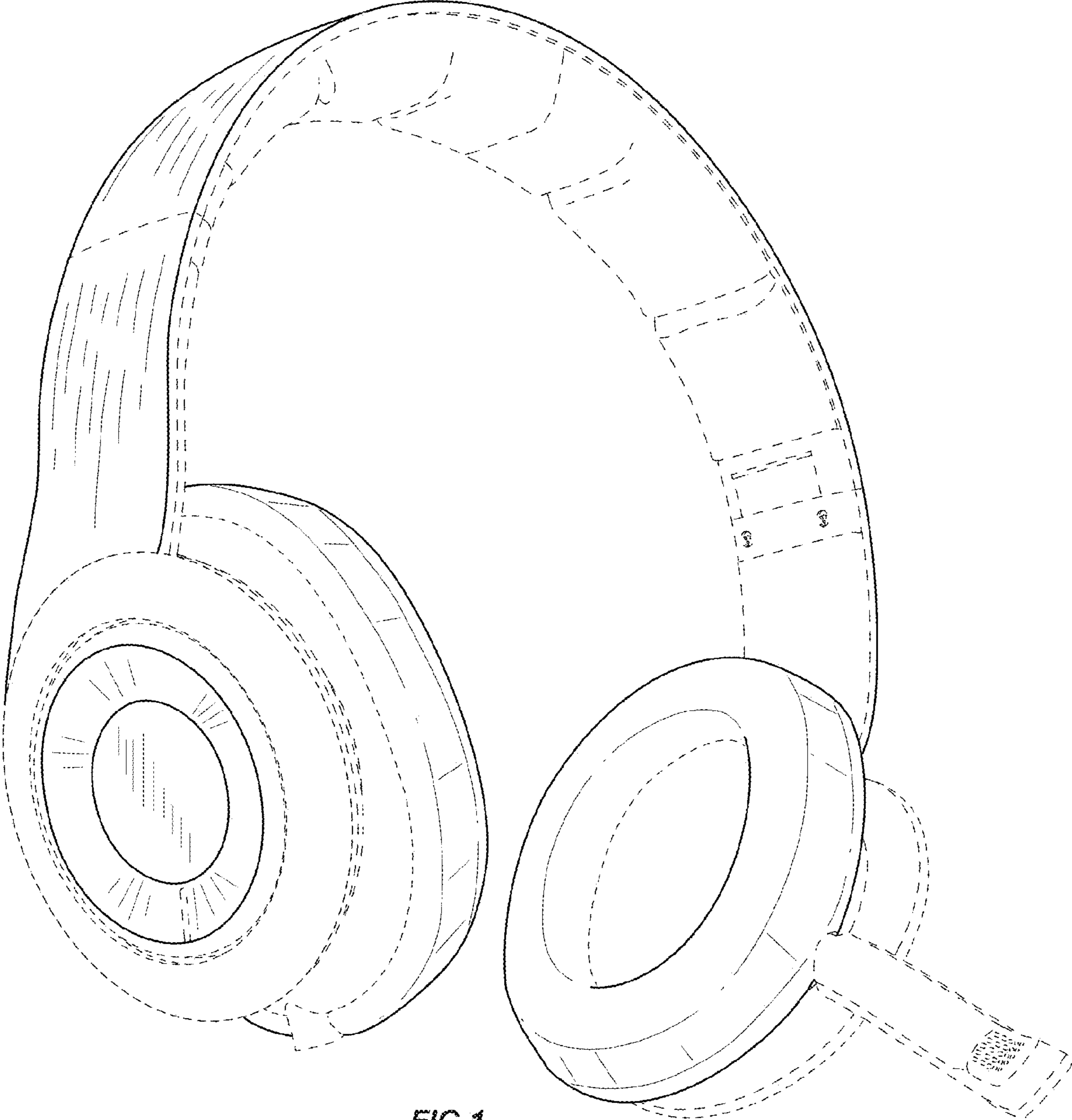


FIG. 1

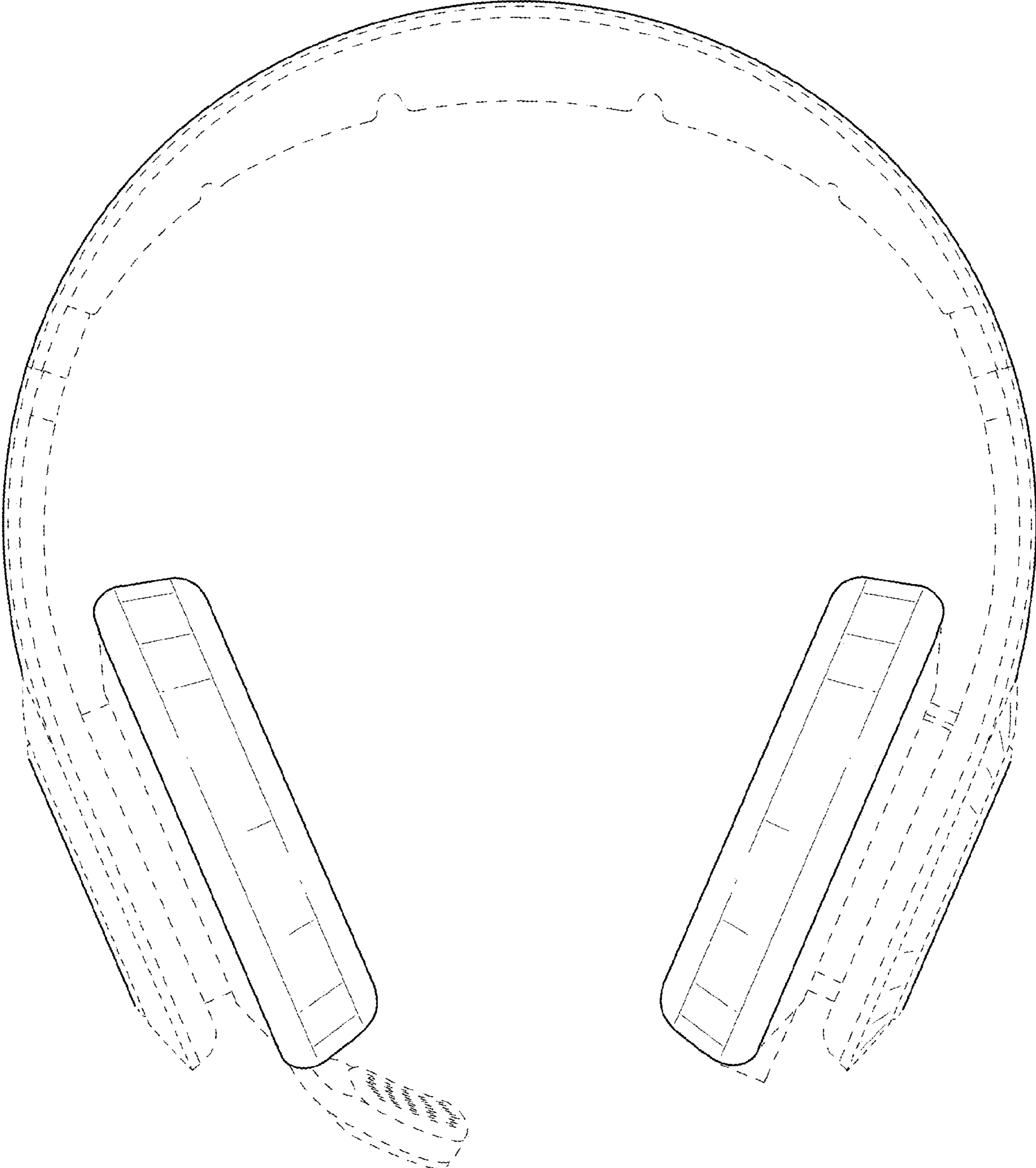


FIG.2

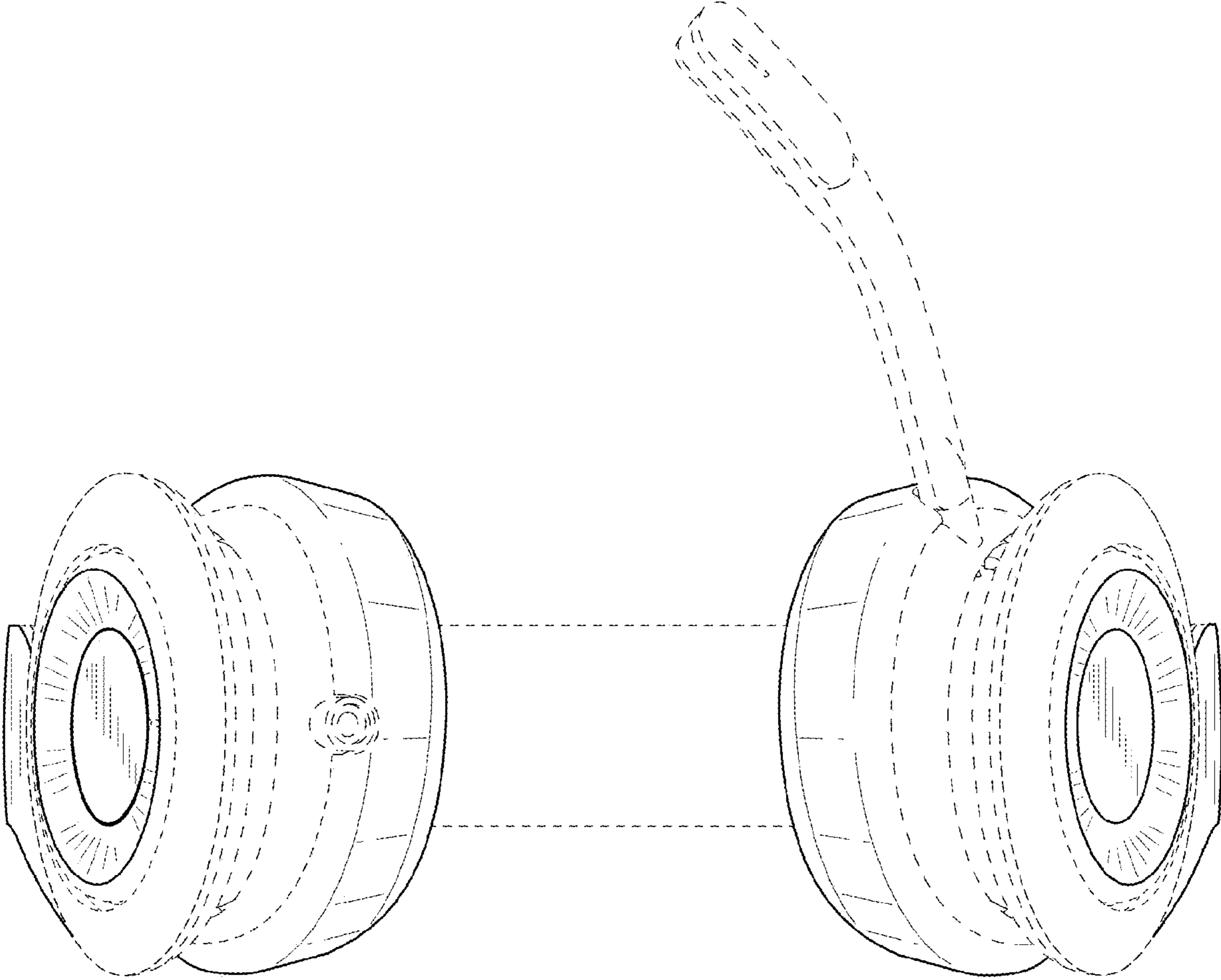


FIG.3

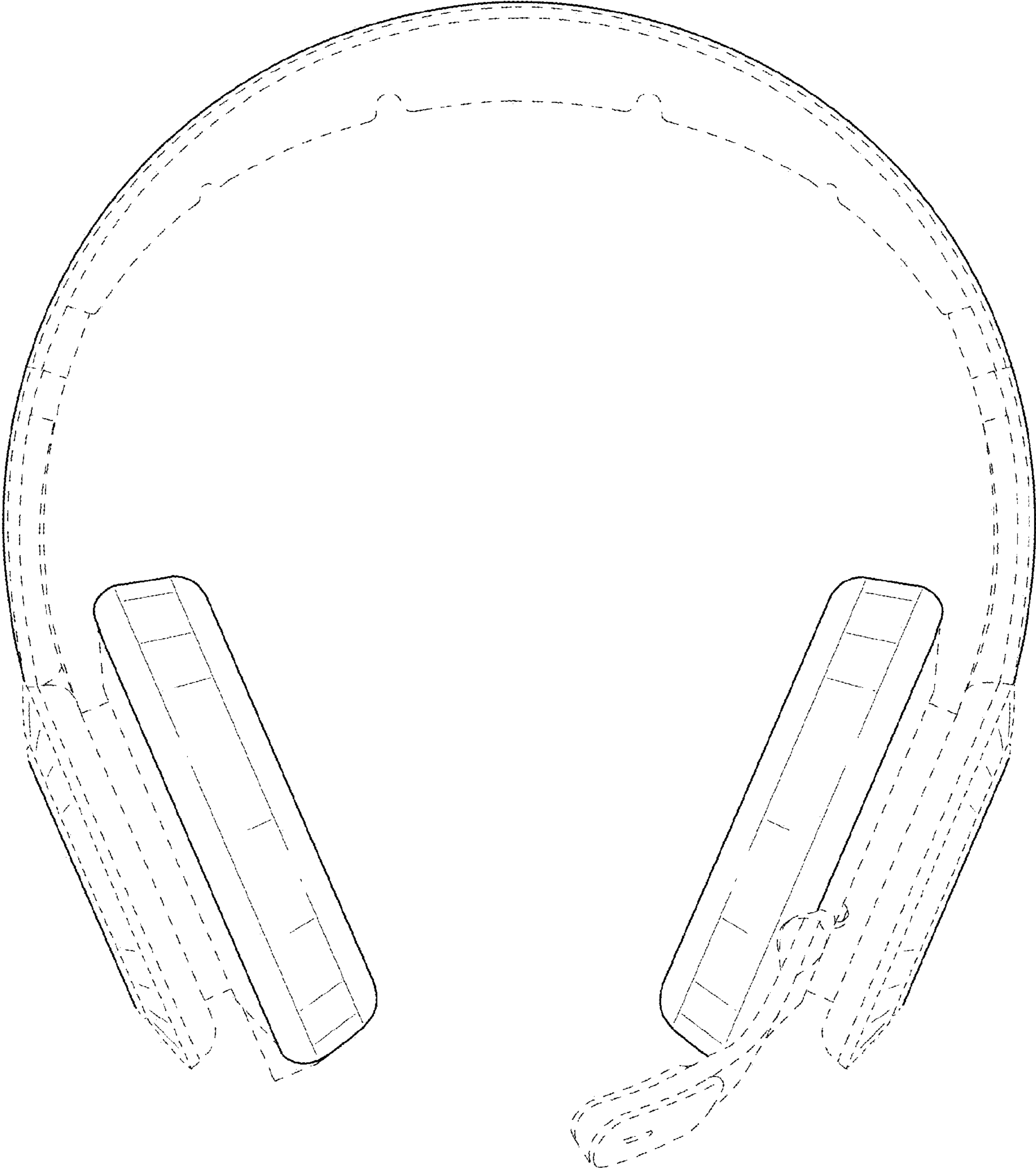


FIG.4



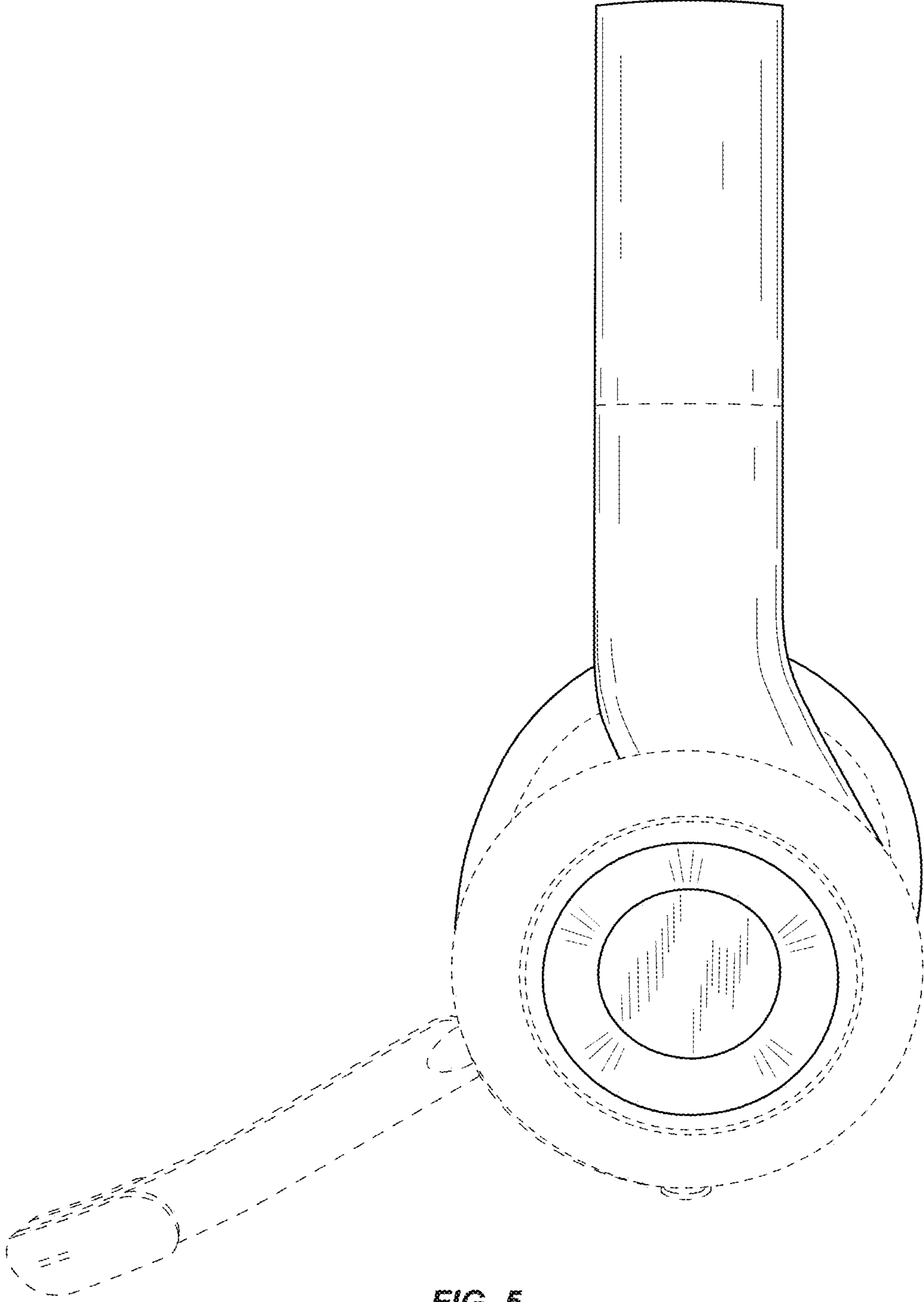


FIG. 5



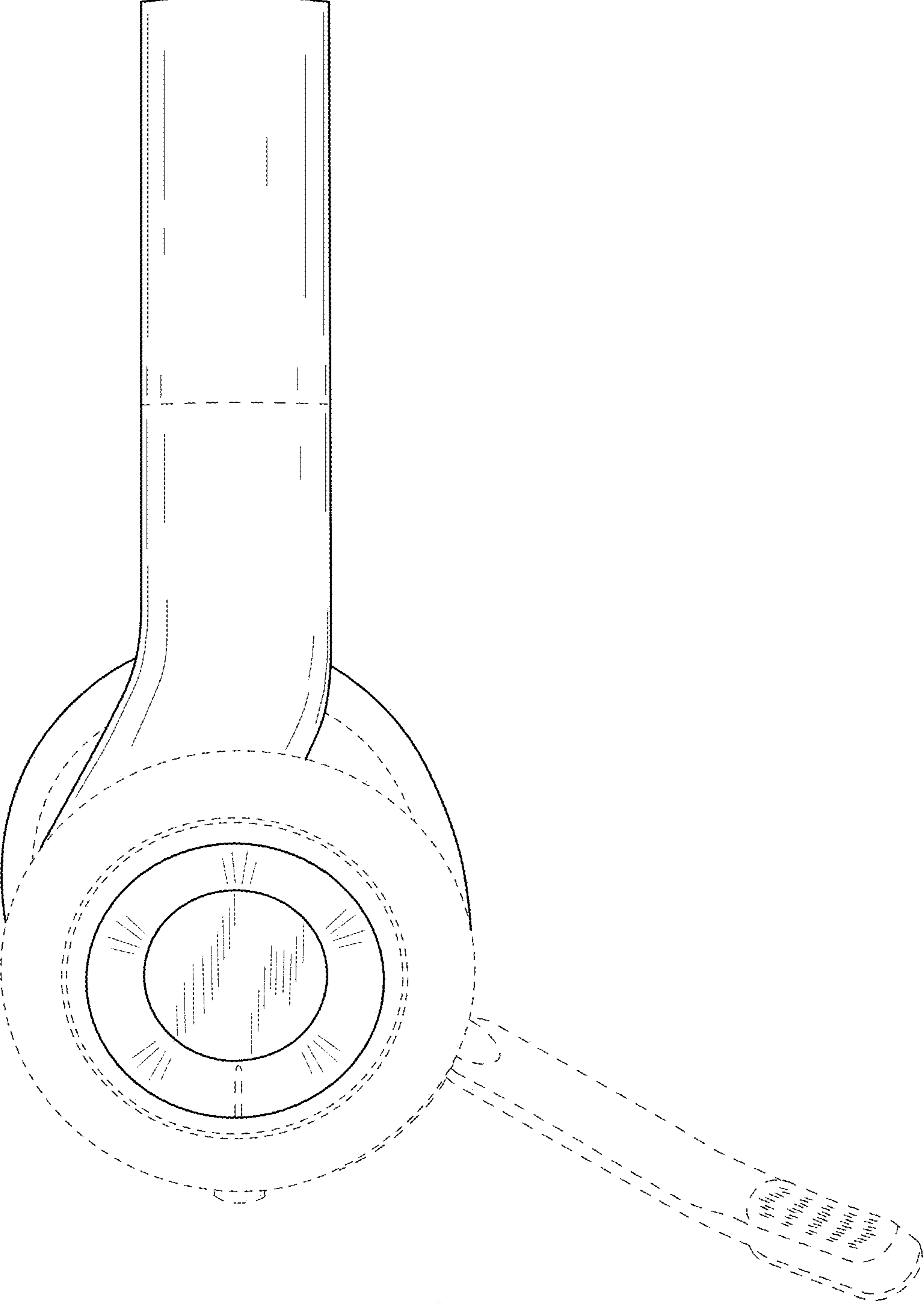


FIG. 6

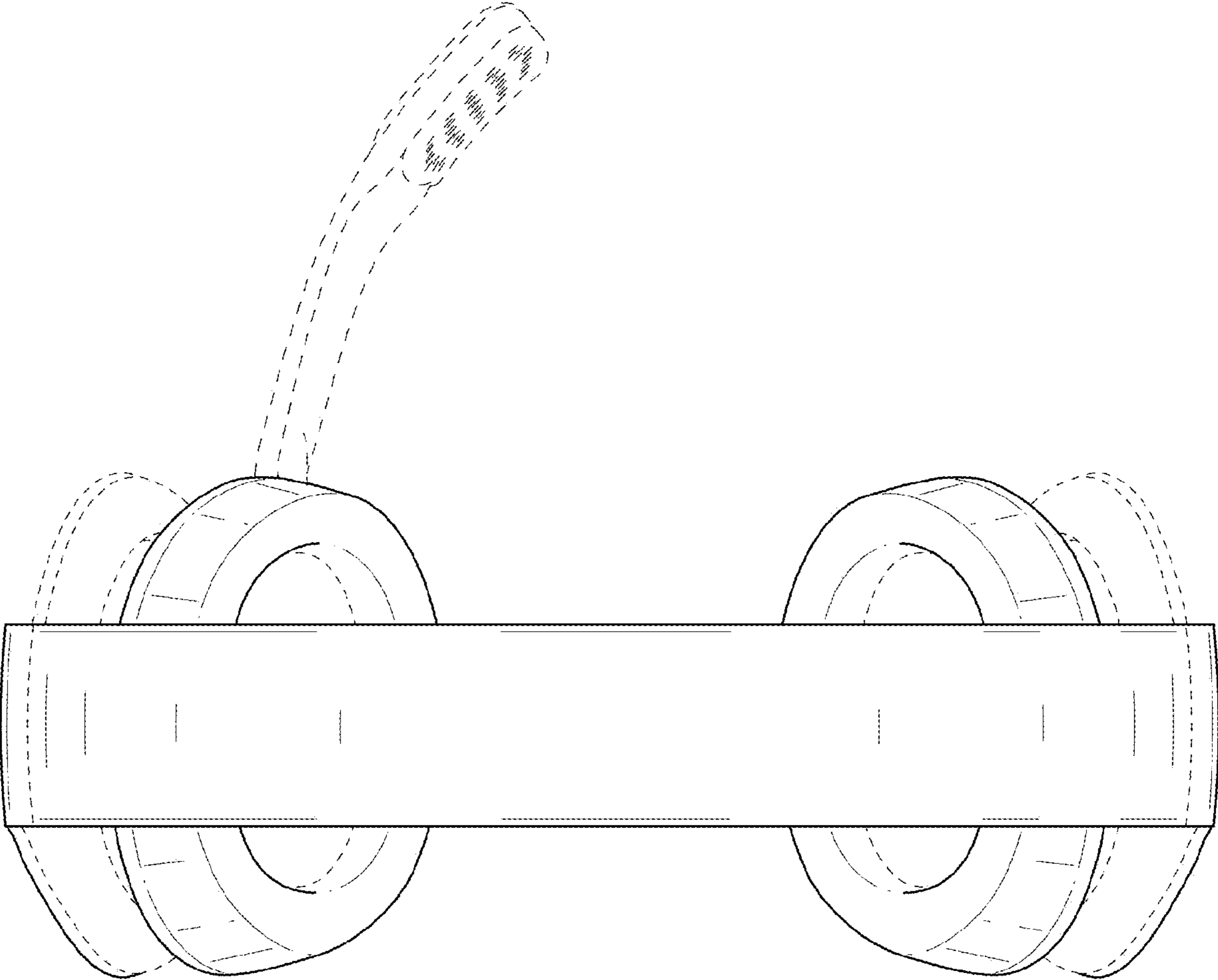


FIG.7