



US00D989738S

(12) **United States Design Patent**  
**Liu**

(10) **Patent No.:** **US D989,738 S**  
(45) **Date of Patent:** **\*\* Jun. 20, 2023**

(54) **CAT HEADPHONE**

(71) Applicant: **Shenzhen OUNI Technology Co., Ltd,**  
Guangdong (CN)

(72) Inventor: **Ming Liu,** Guangdong (CN)

(\*\*) Term: **15 Years**

(21) Appl. No.: **29/817,431**

(22) Filed: **Dec. 1, 2021**

(30) **Foreign Application Priority Data**

Jun. 8, 2021 (CN) ..... 202130352772.2

(51) **LOC (14) Cl.** ..... **14-01**

(52) **U.S. Cl.**  
USPC ..... **D14/205; D14/207**

(58) **Field of Classification Search**  
USPC ..... D14/205, 207; D2/865-866, 874;  
D29/112; 2/209; D11/158; D21/617;  
D26/47, 98; 446/189, 370; 362/105  
CPC ..... H04R 25/00; H04R 25/02; H04R 1/1066;  
H04R 1/1016; H04R 5/033; H04R  
5/0335; H04R 1/10; H04R 1/02; A63H  
3/00; A45D 8/20

See application file for complete search history.

(56) **References Cited**

**U.S. PATENT DOCUMENTS**

D163,779 S \* 6/1951 Ulvad ..... D19/142  
2,947,091 A \* 8/1960 McCrary ..... A61G 12/00  
D11/158  
4,547,171 A \* 10/1985 Horimoto ..... A63H 3/006  
446/72  
D458,759 S \* 6/2002 Landauer ..... D21/659  
D599,927 S \* 9/2009 van der Lande ..... D26/47  
D634,732 S \* 3/2011 Kondo ..... D14/205  
D635,957 S \* 4/2011 Hirano ..... D14/205  
D643,065 S \* 8/2011 van der Lande ..... D19/142

D657,006 S \* 4/2012 Wallick ..... D21/659  
D662,080 S \* 6/2012 Carr ..... D14/205  
D683,329 S \* 5/2013 Hagelin ..... D14/205  
D685,283 S \* 7/2013 Katoh ..... D11/1  
D699,702 S \* 2/2014 Chen ..... D14/205  
D717,764 S \* 11/2014 Lee ..... D14/205  
D719,136 S \* 12/2014 Schaal ..... D14/206  
D757,679 S \* 5/2016 Yan ..... D14/205  
D758,508 S \* 6/2016 Chuang ..... D21/617  
D795,837 S \* 8/2017 Cai ..... D14/205  
D801,948 S \* 11/2017 Picunko ..... D14/205  
10,021,487 B2 \* 7/2018 Yan ..... H04R 5/0335  
D851,624 S \* 6/2019 Huang ..... D14/205  
D858,483 S \* 9/2019 Hu ..... D14/205  
D863,253 S \* 10/2019 He ..... D14/205

(Continued)

**FOREIGN PATENT DOCUMENTS**

CN 306402067 \* 3/2021  
EM 004163384-0001 \* 8/2017

(Continued)

*Primary Examiner* — Paula Allen Greene

(57) **CLAIM**

The ornamental design for a cat headphone, as shown and described.

**DESCRIPTION**

FIG. 1 is a front and top perspective view of a cat headphone design showing my new design.

FIG. 2 is a front view of a cat headphone.

FIG. 3 is a rear view of a cat headphone.

FIG. 4 is a left side view of a cat headphone.

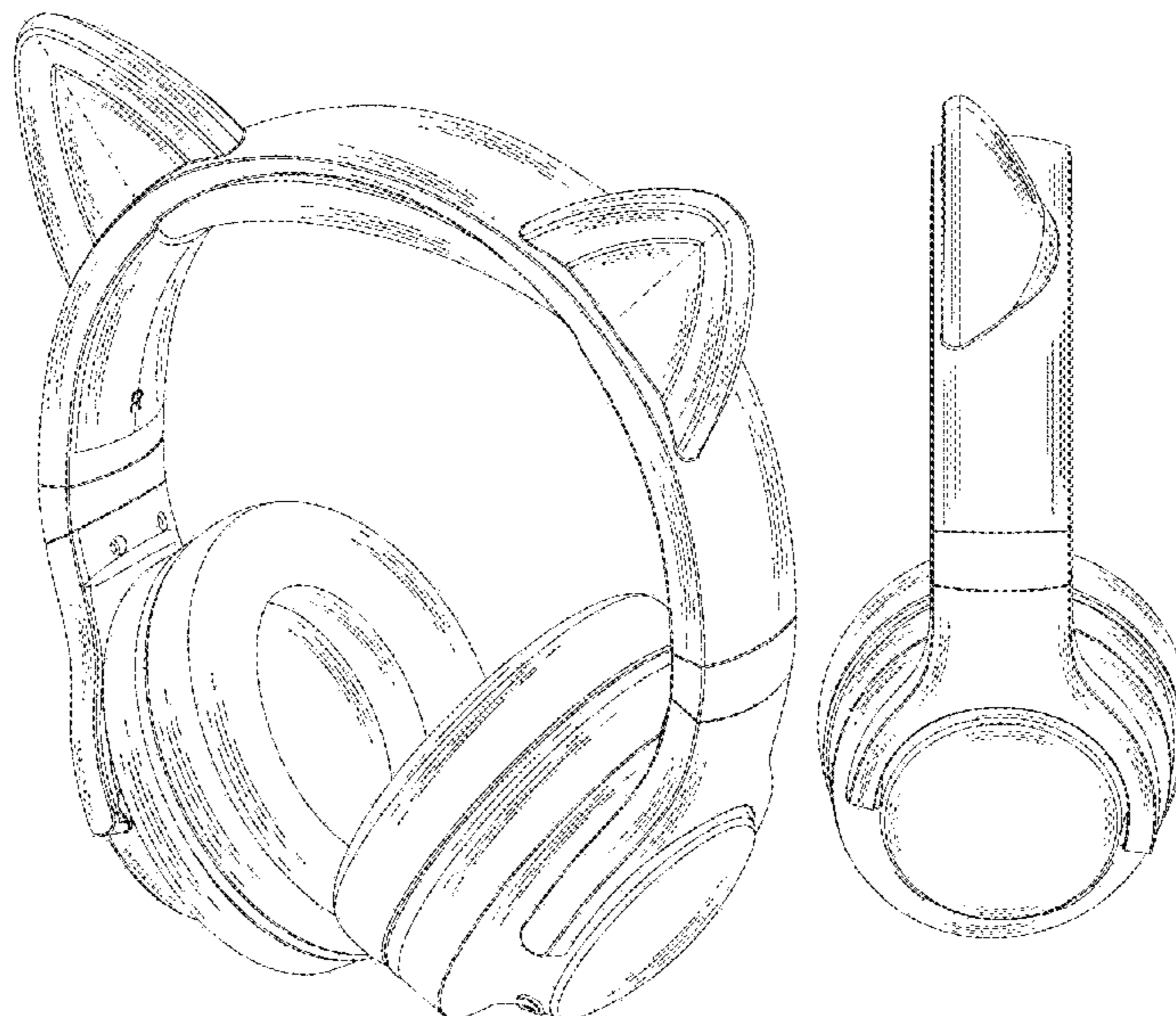
FIG. 5 is a right side view of a cat headphone.

FIG. 6 is a top view of a cat headphone; and,

FIG. 7 is a bottom view of a cat headphone.

The dashed broken lines on the cat headphone represent stitching; all the dashed broken lines form no part of the claimed design.

**1 Claim, 7 Drawing Sheets**



(56)

References Cited

U.S. PATENT DOCUMENTS

D868,026 S \* 11/2019 Hardi ..... D14/205  
 D869,433 S \* 12/2019 Huan ..... D14/207  
 D869,437 S \* 12/2019 Hu ..... D14/205  
 D879,742 S \* 3/2020 Hu ..... D14/205  
 D884,669 S \* 5/2020 Zhong ..... D14/205  
 D887,391 S \* 6/2020 Chong ..... D14/205  
 D888,008 S \* 6/2020 Yook ..... D14/205  
 D889,431 S \* 7/2020 Huang ..... D14/207  
 D890,124 S \* 7/2020 ShiXing ..... D14/207  
 D892,080 S \* 8/2020 Krakovskiy ..... D14/205  
 D901,436 S \* 11/2020 Peng ..... D14/205  
 D902,176 S \* 11/2020 Huang ..... D14/207  
 D909,989 S \* 2/2021 Lu ..... D14/207  
 D914,635 S \* 3/2021 Tong ..... D14/205  
 D920,954 S \* 6/2021 Tong ..... D14/207  
 D921,606 S \* 6/2021 Wang ..... D14/207  
 D926,154 S \* 7/2021 Tong ..... D14/206  
 D928,115 S \* 8/2021 Huang ..... D14/207  
 D933,043 S \* 10/2021 Liu ..... D14/206  
 D936,631 S \* 11/2021 Qin ..... D14/205  
 D940,098 S \* 1/2022 Liu ..... D14/207

D944,763 S \* 3/2022 He ..... D14/207  
 D944,764 S \* 3/2022 He ..... D14/207  
 D944,768 S \* 3/2022 He ..... D14/206  
 D975,673 S \* 1/2023 Huang ..... D14/207  
 2009/0032051 A1\* 2/2009 Defenbaugh ..... A45D 8/20  
 132/273  
 2010/0177907 A1\* 7/2010 Morisawa ..... H04R 5/0335  
 381/74  
 2016/0088383 A1\* 3/2016 Yan ..... H04R 5/0335  
 381/378

FOREIGN PATENT DOCUMENTS

EM 004669943-0001 \* 1/2018  
 EM 006740338-0001 \* 9/2019  
 EM 007685730-0001 \* 2/2020  
 EM 008160840-0001 \* 9/2020  
 EM 008275812-0001 \* 11/2020  
 EM 008276281-0001 \* 11/2020  
 EM 008538060-0001 \* 5/2021  
 EM 008593172-0001 \* 6/2021  
 GB 6103038 \* 10/2020

\* cited by examiner

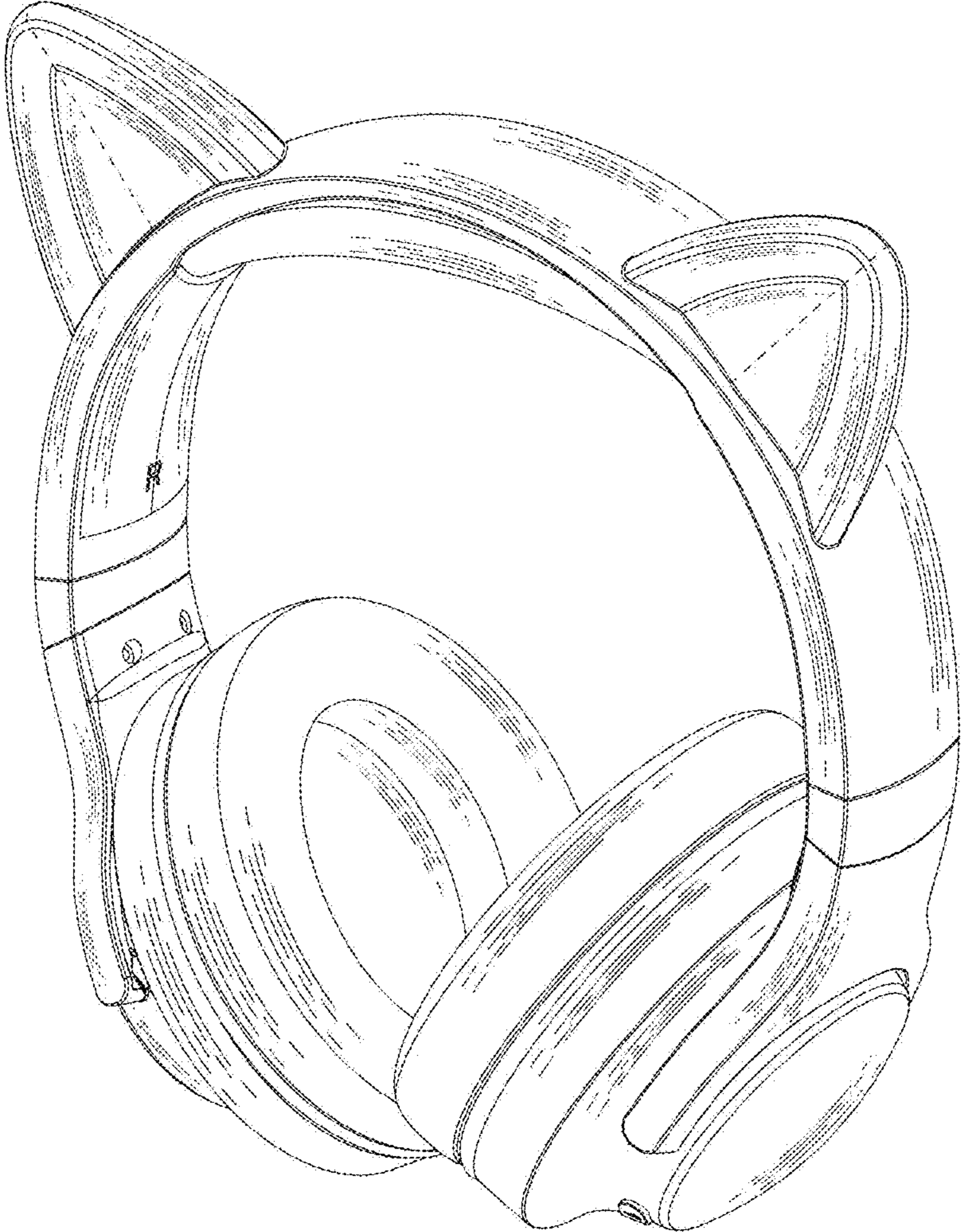


FIG. 1

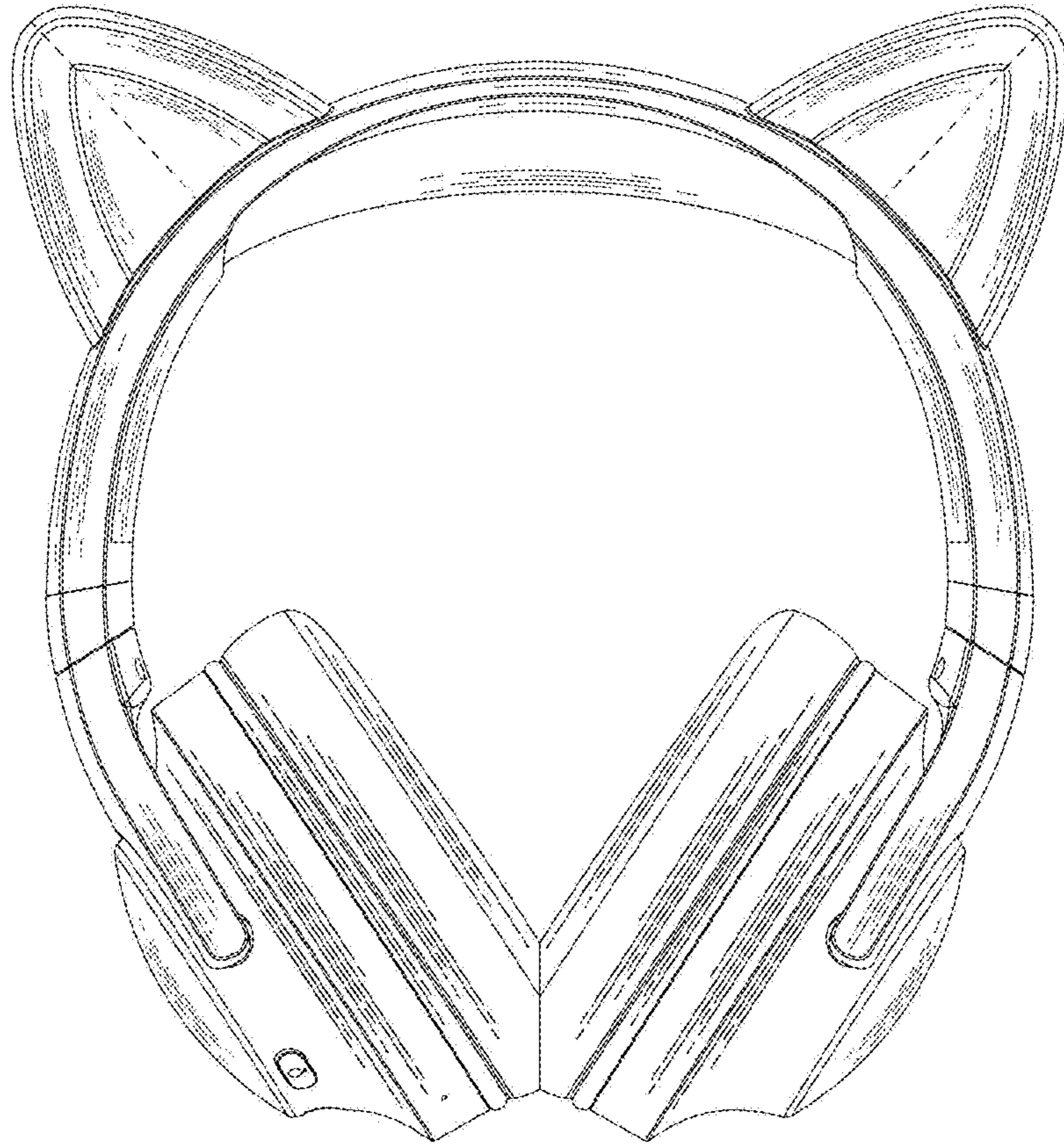


FIG. 2

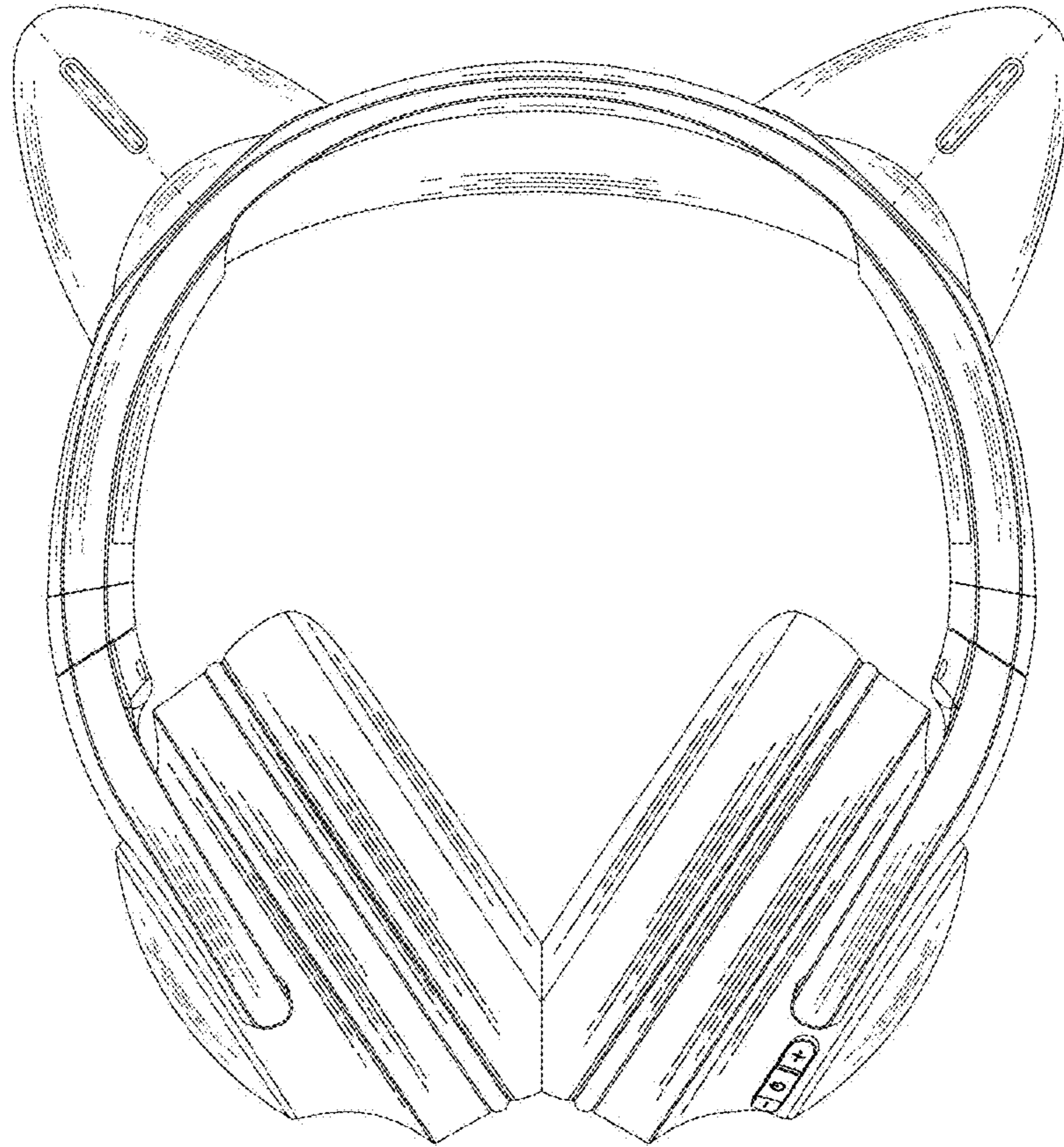


FIG. 3

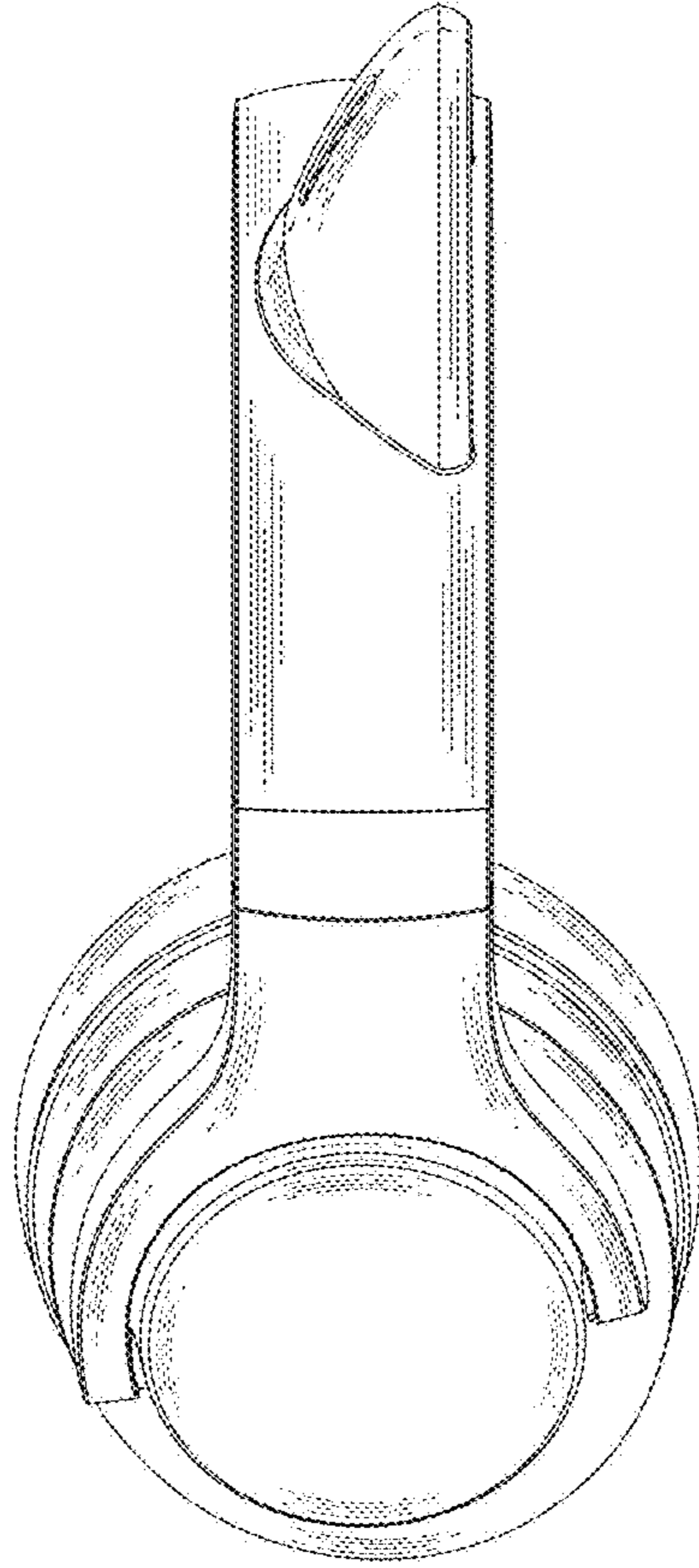


FIG. 4

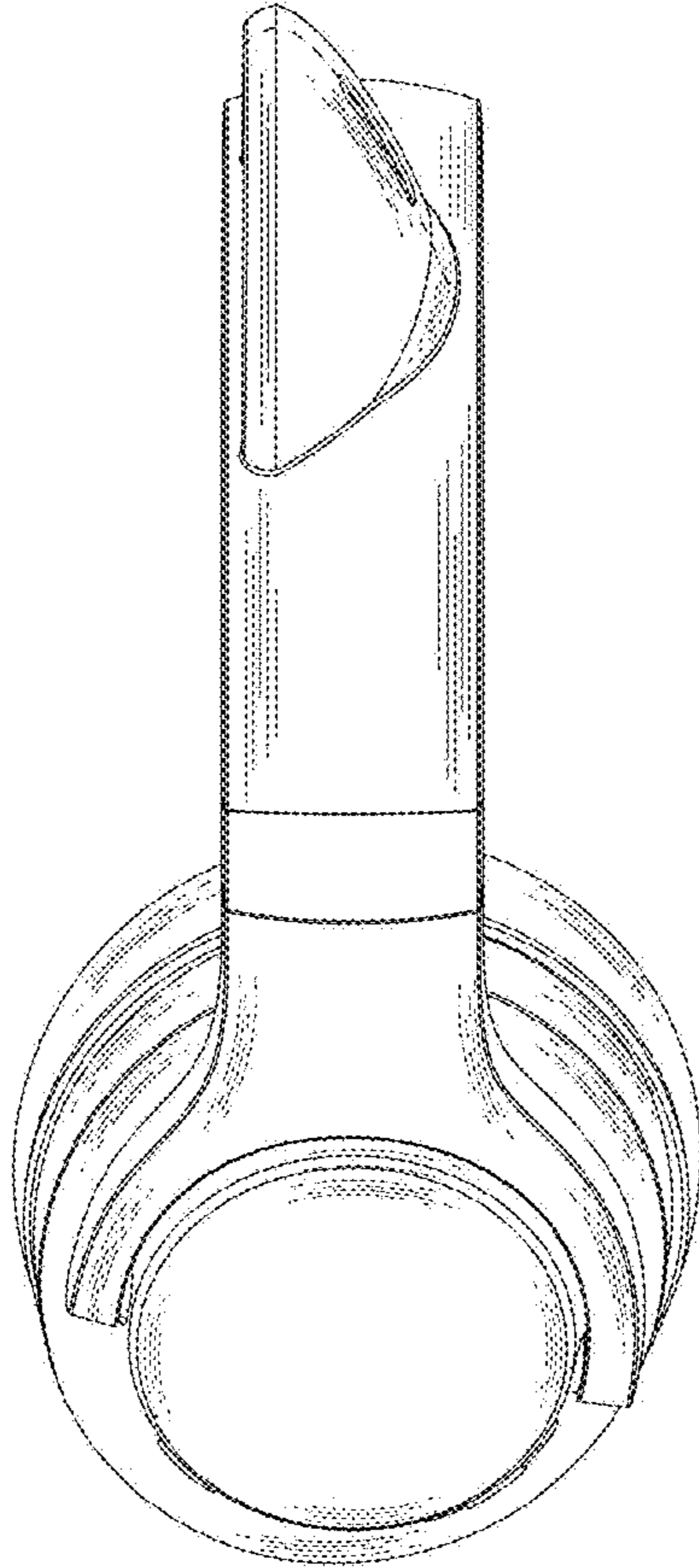


FIG. 5

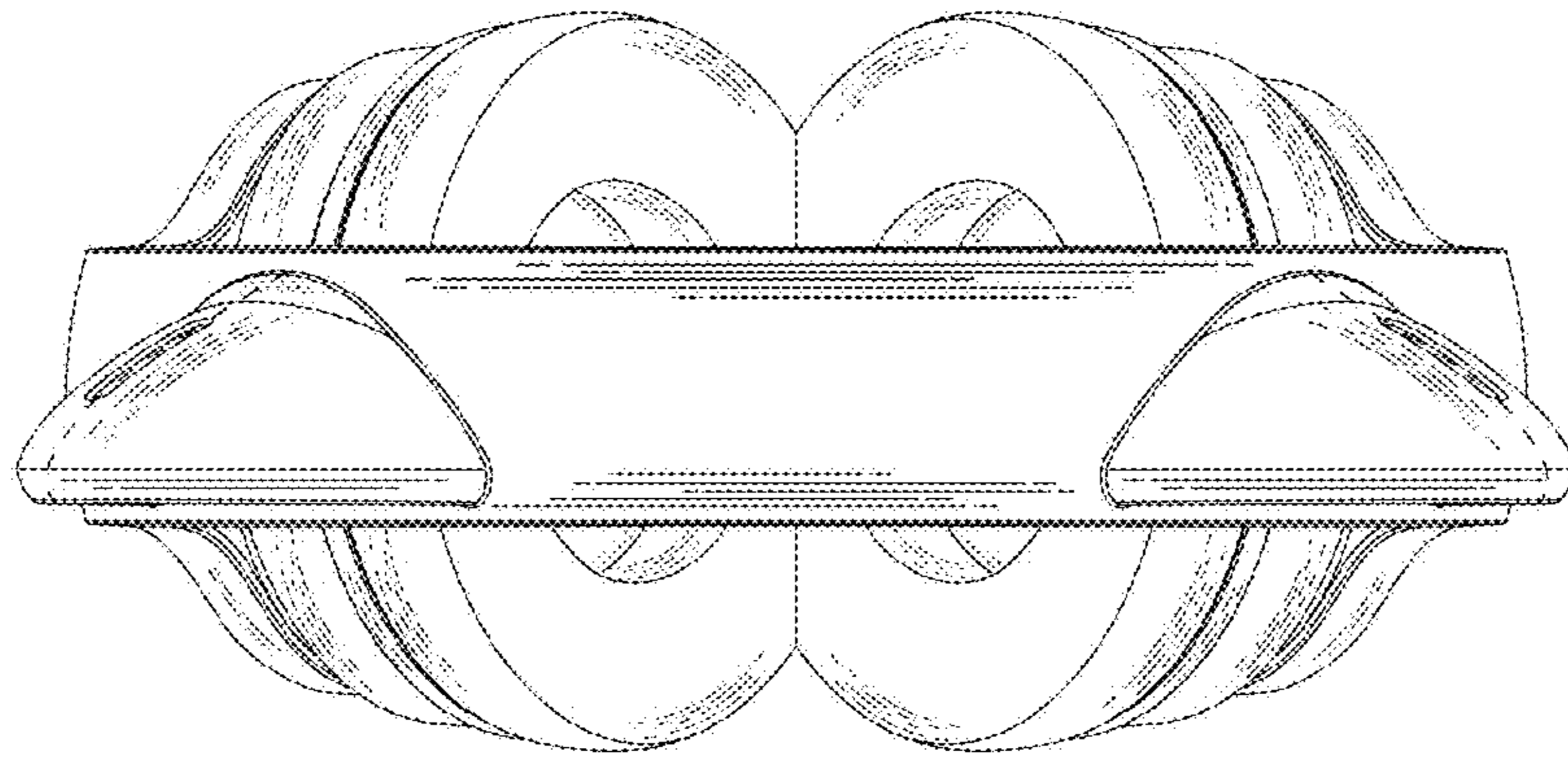


FIG. 6



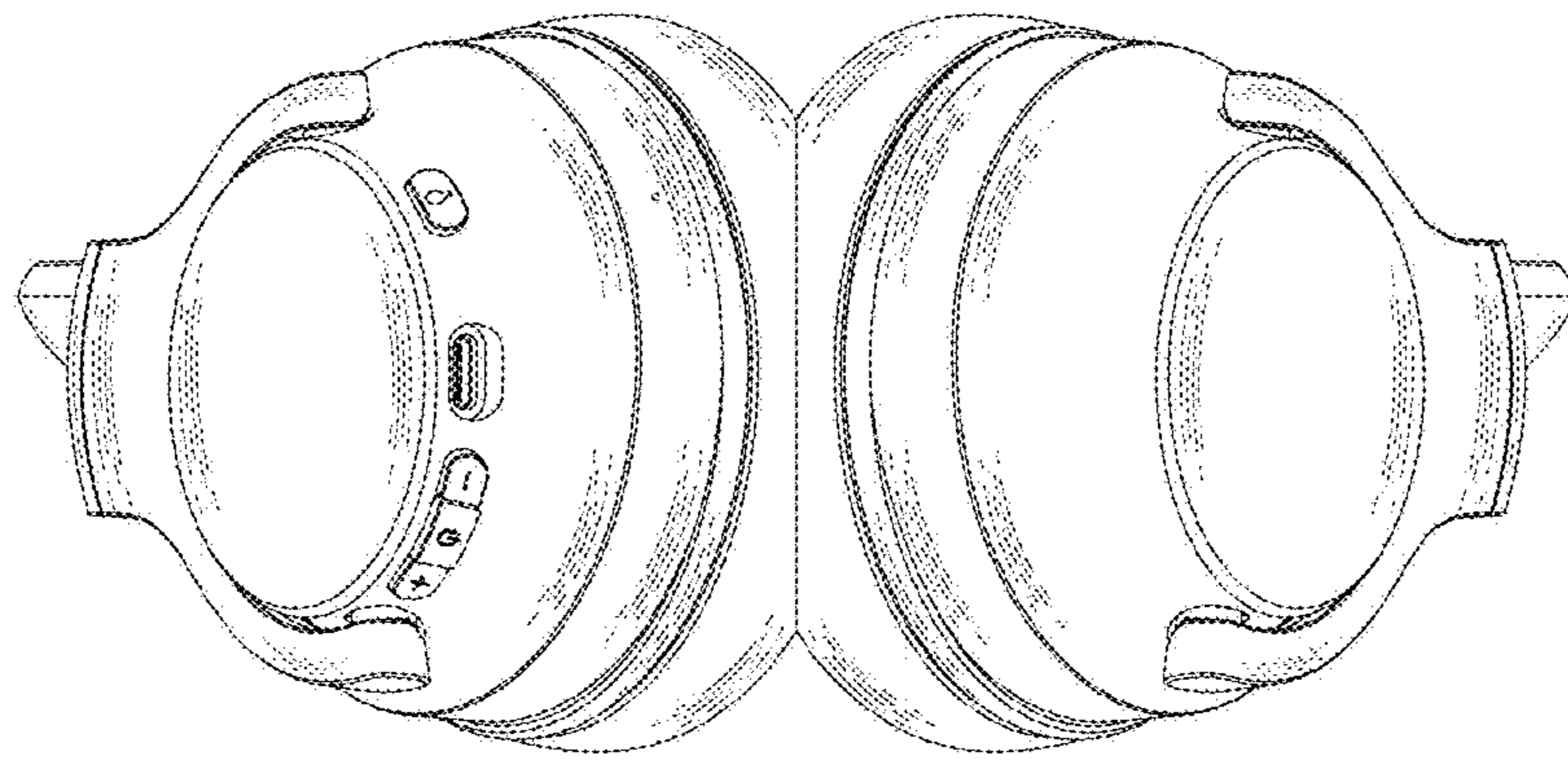


FIG. 7