



US00D989735S

(12) **United States Design Patent**
Yang et al.

(10) **Patent No.:** **US D989,735 S**
(45) **Date of Patent:** **** Jun. 20, 2023**

(54) **RECORD PLAYER**

D887,386 S * 6/2020 Shi D14/203
(Continued)

(71) Applicants: **Ruishi Yang**, Rowland Heights, CA
(US); **Xin Hu**, Rowland Heights, CA
(US)

FOREIGN PATENT DOCUMENTS

(72) Inventors: **Ruishi Yang**, Rowland Heights, CA
(US); **Xin Hu**, Rowland Heights, CA
(US)

CN 305046036 * 2/2019
EM 004566214-0001 * 1/2018
(Continued)

(**) Term: **15 Years**

OTHER PUBLICATIONS

(21) Appl. No.: **29/800,182**

Pro-Ject Debut Carbon EVO, date first available: Aug. 18, 2020,
[retrieved Jan. 23, 2023], Retrieved from Internet, URL: <https://
www.amazon.com/Pro-Ject-Debut-Carbon-EVO-pre-Mounted/dp/
B08FRL1KMH?th=undefined> (Year: 2020).*

(22) Filed: **Jul. 20, 2021**

(Continued)

(30) **Foreign Application Priority Data**

Jan. 21, 2021 (CN) 202130045578.X

Primary Examiner — Messina L Smith

(51) **LOC (14) Cl.** **14-01**

Assistant Examiner — Aram Kwon

(52) **U.S. Cl.**
USPC **D14/202**

(74) *Attorney, Agent, or Firm* — Prakash Nama; Global
IP Services, PLLC

(58) **Field of Classification Search**
USPC D14/155–159, 160–173, 187–188,
D14/189–198, 203.1–203.8, 204–216,
D14/217–222, 224–229, 251–253,
D14/257–258, 447–452, 457, 492, 496,
D14/498–506; D6/672–673, 675.1, 682
CPC H04R 1/02; H04R 1/021; H04R 1/025;
H04R 1/026; H04R 1/028; H04R 1/06;
H04R 1/105; H04R 1/323; H04R 1/403;
H04R 1/2803; H04R 1/2834
See application file for complete search history.

(57) **CLAIM**

The ornamental design for a record player, as shown.

(56) **References Cited**

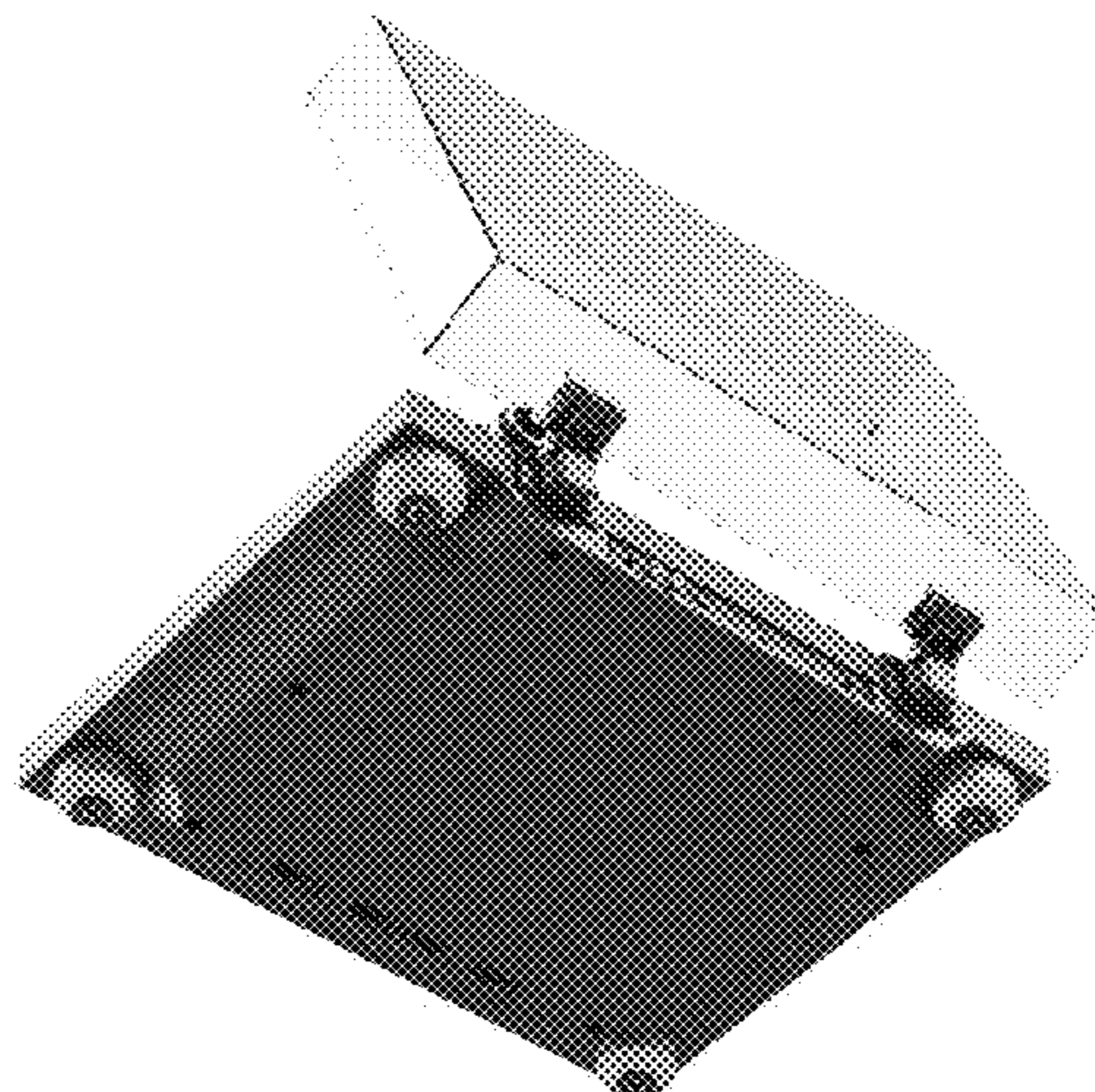
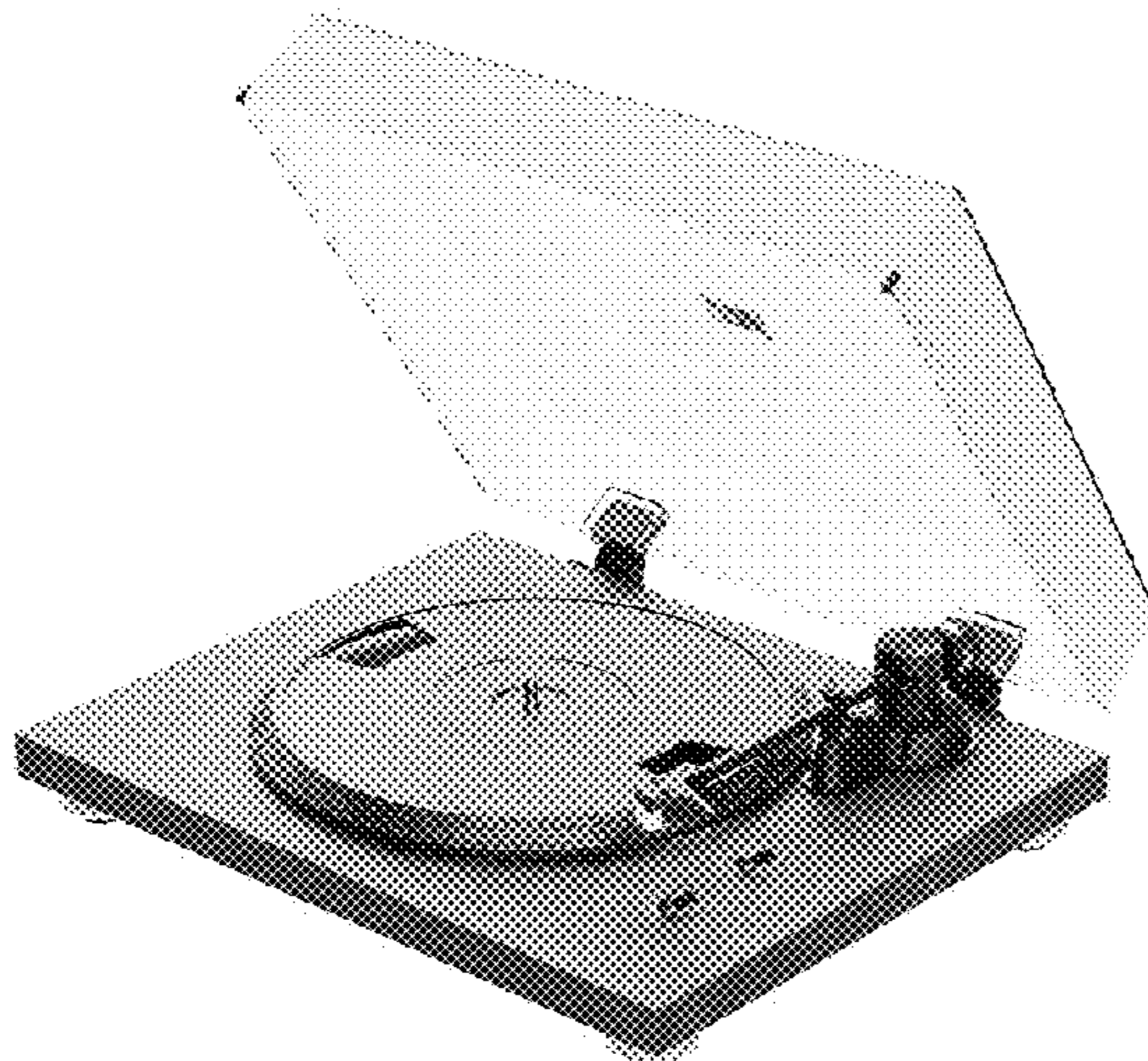
U.S. PATENT DOCUMENTS

D234,440 S * 3/1975 Iida D14/168
D238,394 S * 1/1976 Akazawa D14/202
D241,574 S * 9/1976 Mukai et al. D14/202
D247,488 S * 3/1978 Ohtomo D14/202
D252,393 S * 7/1979 Kashidaira D14/203
D262,620 S * 1/1982 Nagaoka D14/501
D810,716 S * 2/2018 Yang D14/203
D879,740 S * 3/2020 Wu D14/203

DESCRIPTION

The patent or application file contains at least one drawing
executed in color. Copies of this patent or patent application
publication with color drawing(s) will be provided by the
Office upon request and payment of the necessary fee.
FIG. 1 is a front elevational view of a record player showing
our new design;
FIG. 2 is a rear elevational view thereof;
FIG. 3 is a left side view thereof;
FIG. 4 is a right side view thereof;
FIG. 5 is a bottom plan view thereof;
FIG. 6 is a perspective view thereof; and,
FIG. 7 is another perspective view thereof.

1 Claim, 7 Drawing Sheets
(7 of 7 Drawing Sheet(s) Filed in Color)



(56)

References Cited

U.S. PATENT DOCUMENTS

D898,698 S * 10/2020 Peng D14/203
D902,172 S * 11/2020 Lieblein D14/202
D902,174 S * 11/2020 Lieblein D14/203
D904,334 S * 12/2020 Cao D14/203
D908,658 S * 1/2021 Yang D14/202
D908,659 S * 1/2021 Yang D14/202
D937,241 S * 11/2021 Liu D14/203
D940,682 S * 1/2022 Wu D14/202
D941,797 S * 1/2022 Wu D14/202
D953,285 S * 5/2022 Wu D14/202

FOREIGN PATENT DOCUMENTS

GB 6149534 * 7/2021
GB 6184908 * 1/2022
GB 6188174 * 1/2022

OTHER PUBLICATIONS

Record Player, date first available: Sep. 2, 2022, [retrieved Jan. 23, 2023], Retrieved from Internet, URL: <<https://www.amazon.com/dp/B0BCVY41JR>> (Year: 2022).*

Teac TN-300SE-WA Analog Belt Drive Turntable, date first available: Sep. 1, 2017, [retrieved Jan. 23, 2023], Retrieved from Internet, URL: <<https://www.amazon.com/dp/B075CP5RL1?tag=souman-20&linkCode=ogi&th=1>> (Year: 2017).*

Turntable Record Player, date first available: Dec. 17, 2021, [retrieved Jan. 23, 2023], Retrieved from Internet, URL: <<https://www.amazon.com/dp/B09NRC7P8Q?th=1>> (Year: 2021).*

* cited by examiner

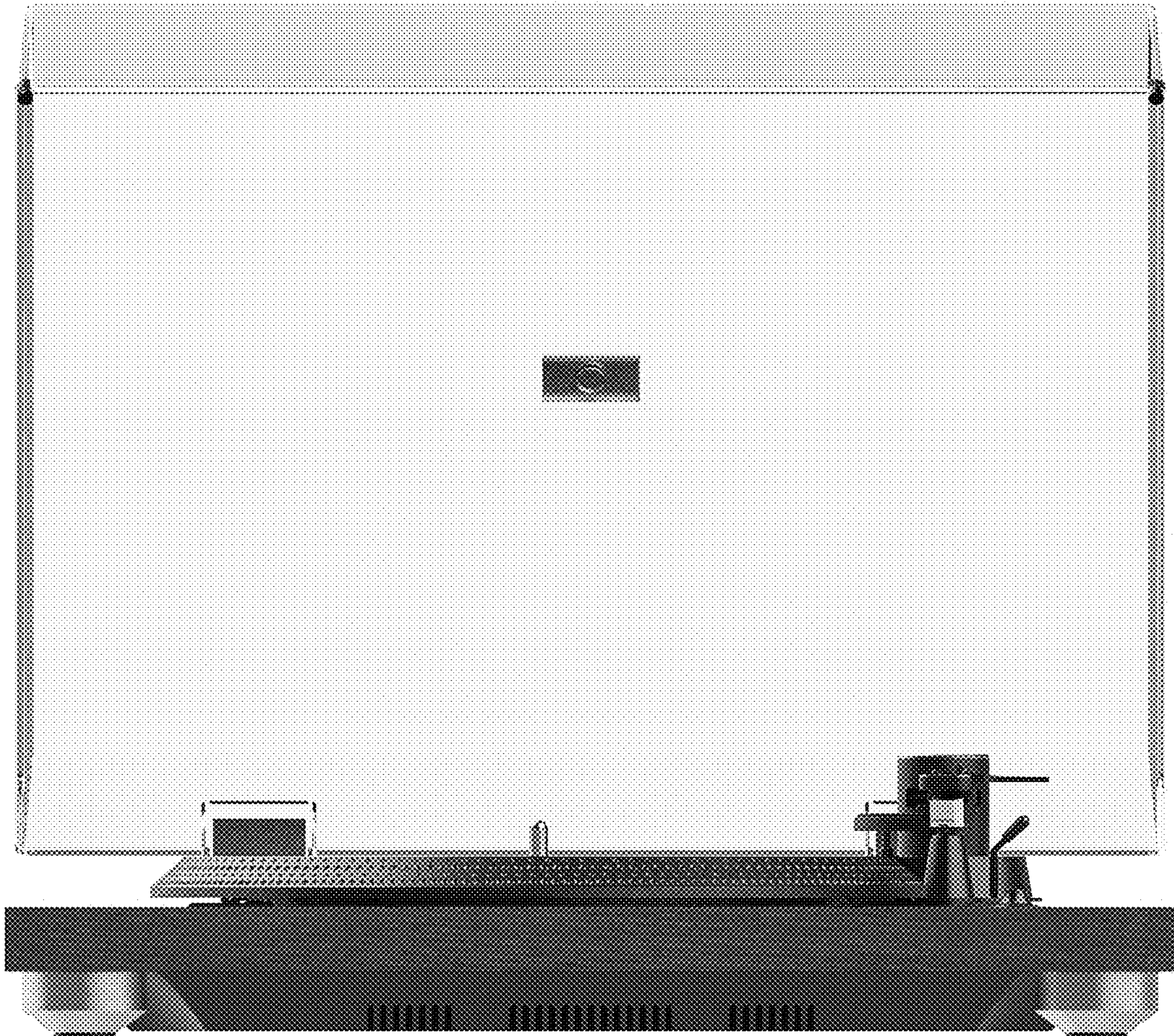


FIG. 1

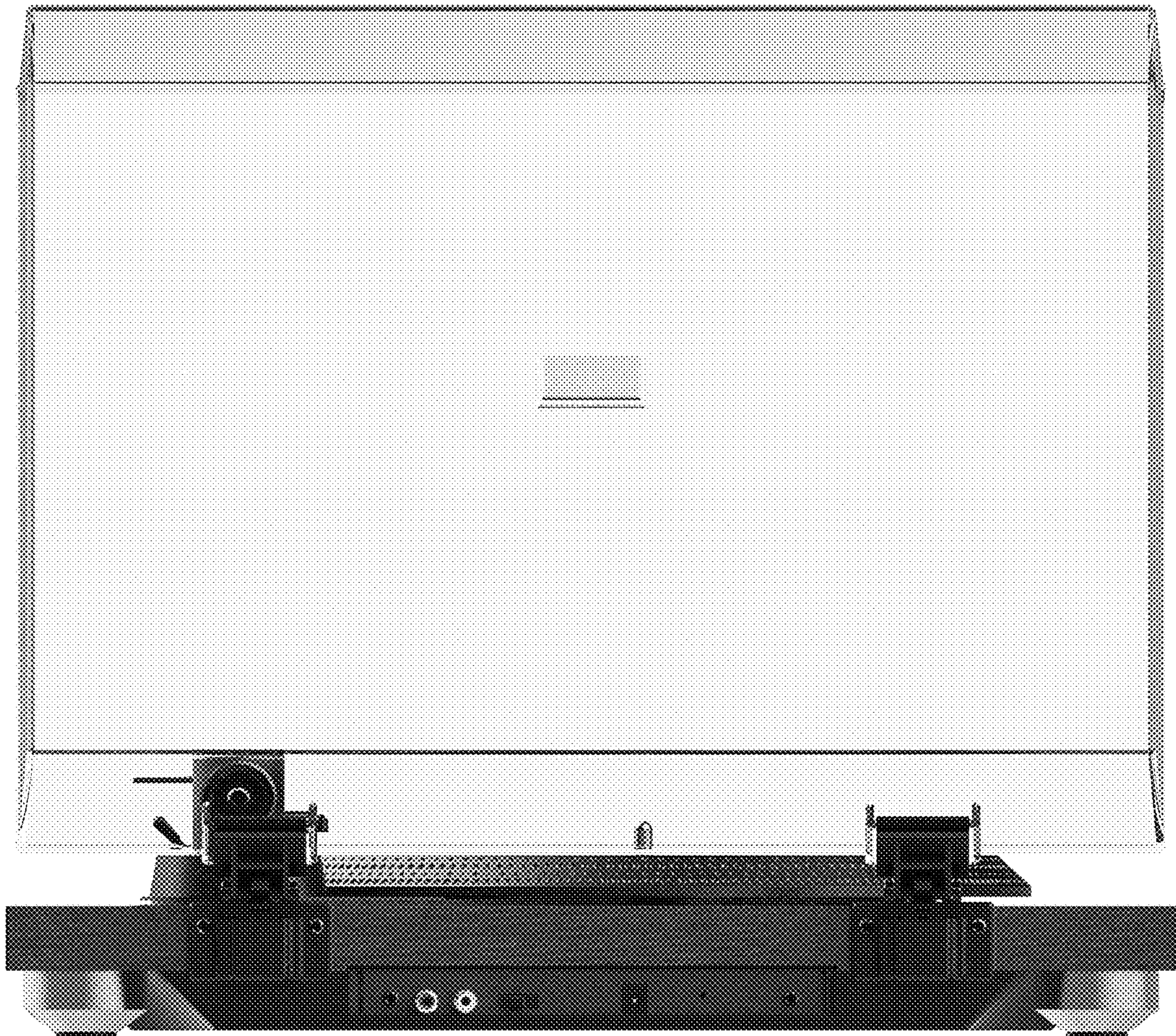


FIG. 2

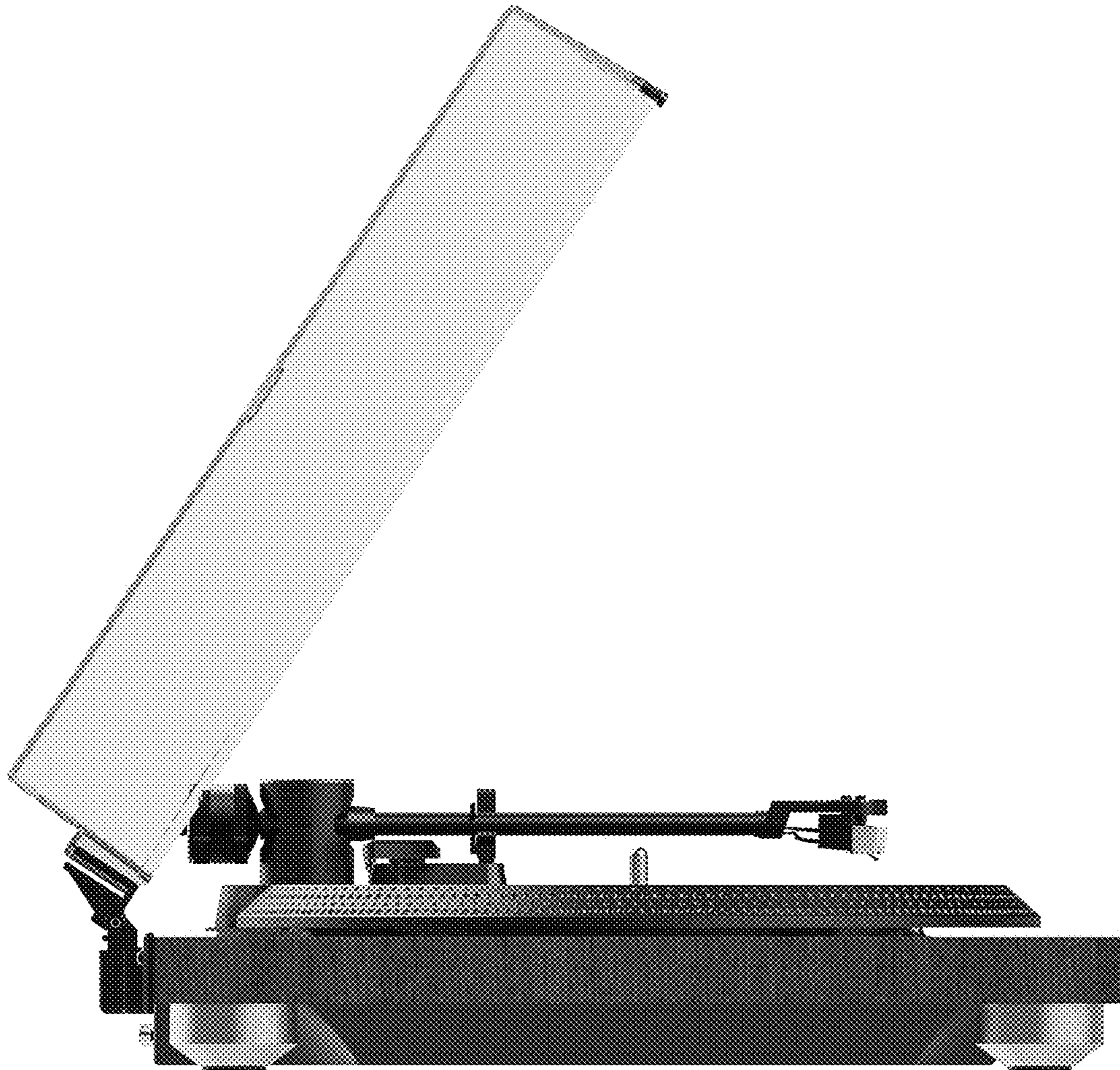


FIG. 3

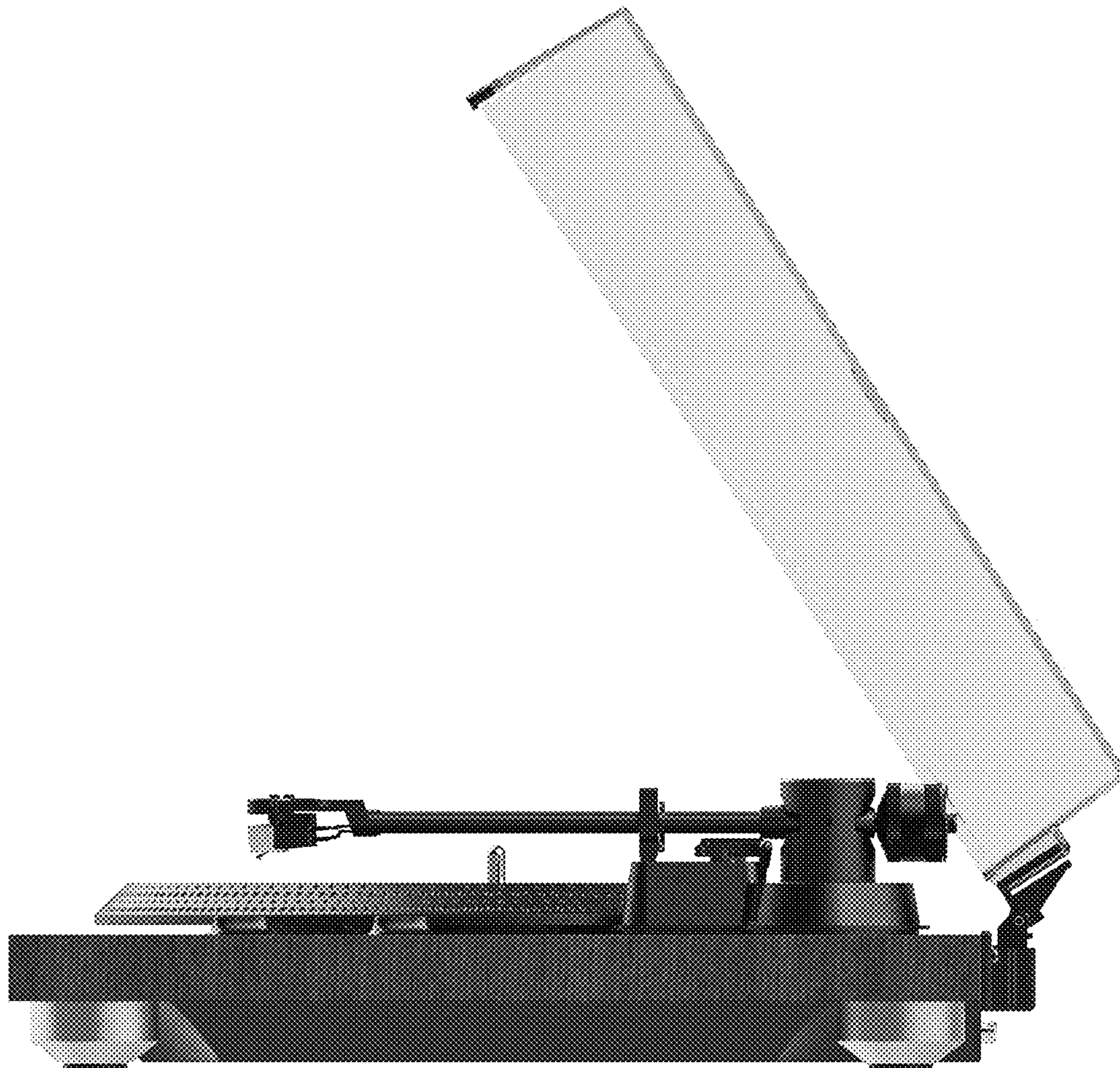


FIG. 4

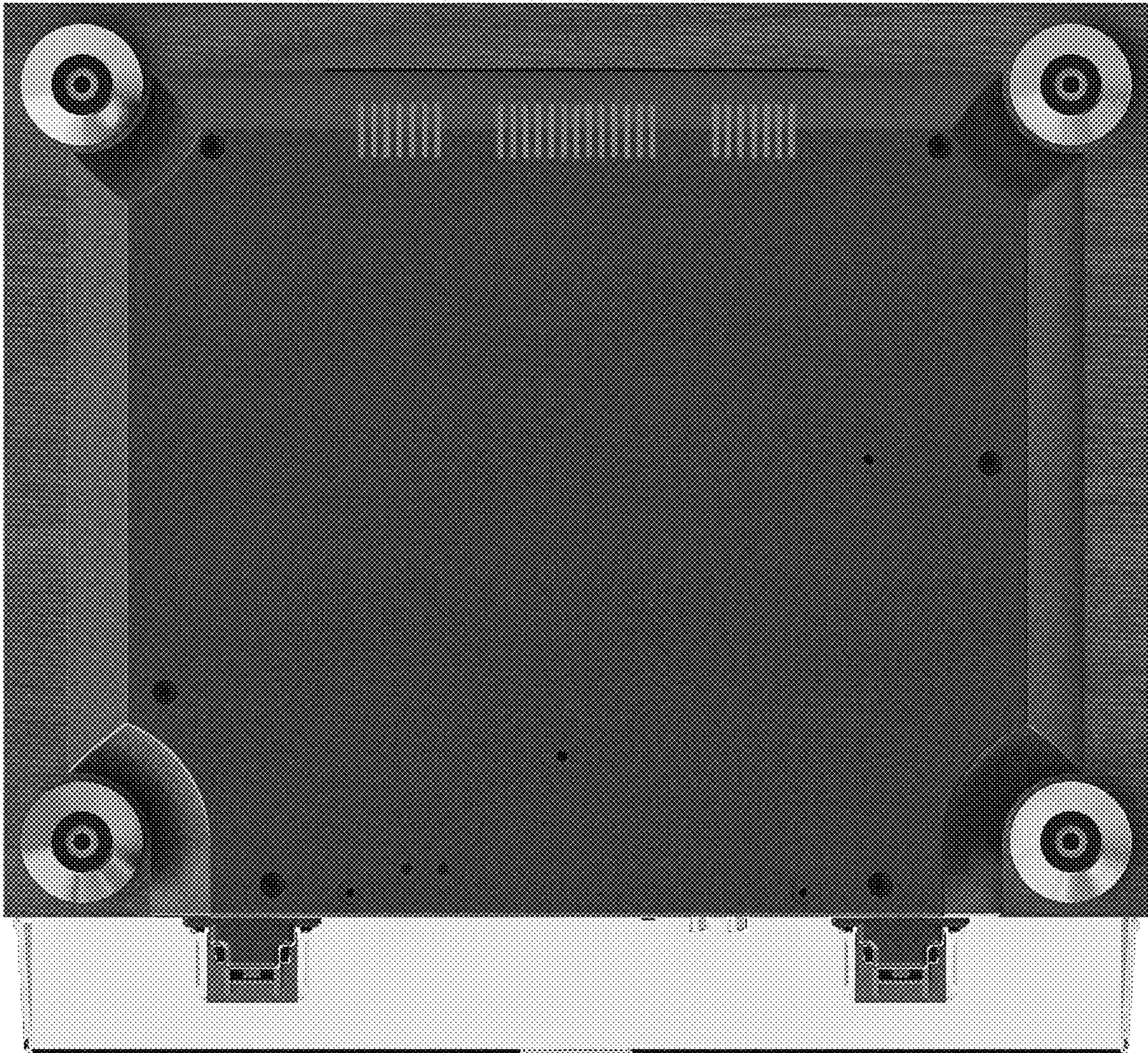


FIG. 5



FIG. 6

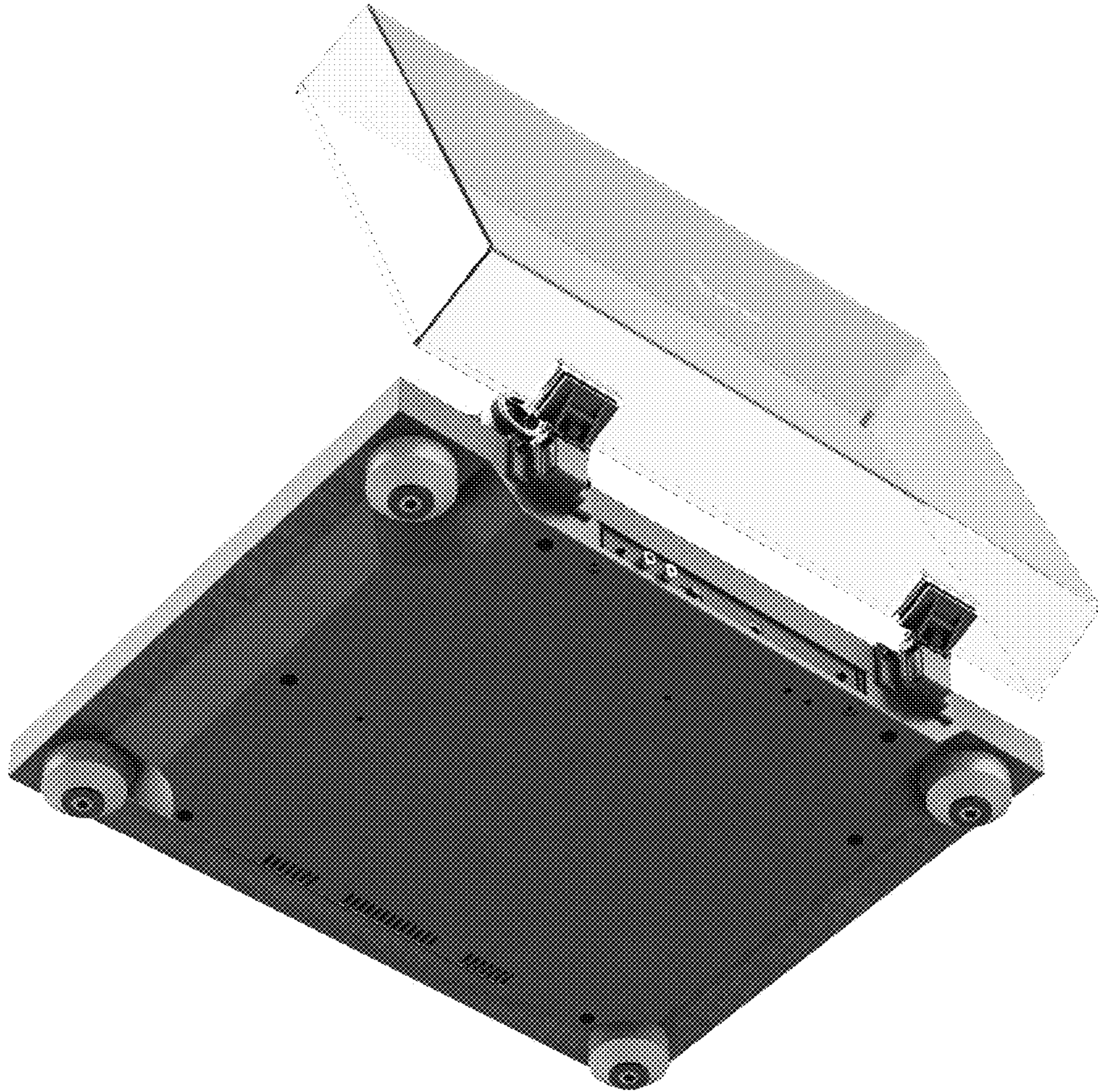


FIG. 7