



US00D989732S

(12) **United States Design Patent**  
**Wang et al.**

(10) **Patent No.:** **US D989,732 S**  
(45) **Date of Patent:** **\*\* \*Jun. 20, 2023**

- (54) **DESK PHONE**
- (71) Applicant: **Plantronics, Inc.**, Santa Cruz, CA (US)
- (72) Inventors: **Bowman Wang**, Corralitos, CA (US);  
**George Janour**, Santa Cruz, CA (US)
- (73) Assignee: **Plantronics, Inc.**, Santa Cruz, CA (US)
- (\* ) Notice: This patent is subject to a terminal disclaimer.
- (\*\*) Term: **15 Years**
- (21) Appl. No.: **29/841,463**
- (22) Filed: **Jun. 6, 2022**

**Related U.S. Application Data**

- (62) Division of application No. 29/740,377, filed on Jul. 2, 2020.
- (51) **LOC (14) Cl.** ..... **14-03**
- (52) **U.S. Cl.**  
USPC ..... **D14/151**
- (58) **Field of Classification Search**  
USPC ... D14/140, 140.1, 140.7, 140.8, 141.2, 142,  
D14/144, 147, 148, 149, 150, 151, 158,  
D14/159, 188, 217, 240, 243, 247, 248,  
D14/251, 299, 329, 330, 338, 130, 462,  
D14/467, 471; D21/517  
CPC ..... H04M 1/00; H04M 1/003; H04M 1/02;  
H04M 1/0289; H04M 1/0297; H04M  
1/0214; H04M 1/03; H04M 1/23; H04M  
1/253; H04M 1/2535; H04M 7/006;  
H04M 1/605; H04M 1/62  
See application file for complete search history.

(56) **References Cited**

**U.S. PATENT DOCUMENTS**

- D263,589 S 3/1982 Read
- D282,066 S 1/1986 Menei et al.
- D282,655 S 2/1986 Kaku et al.

- D291,567 S 8/1987 Read et al.
- D292,090 S 9/1987 Shintomi
- D293,783 S 1/1988 Martinez
- D295,623 S 5/1988 Gilberton
- D296,437 S 6/1988 Martinez
- D298,618 S 11/1988 Martinez

(Continued)

**FOREIGN PATENT DOCUMENTS**

TW D176839 7/2016

**OTHER PUBLICATIONS**

Poly Edge E400 IP Desk Phone, retrieved from <https://www.amazon.com/Poly-Edge-Phone-Plantronics-Polycom/dp/BOB7PXR7H9>, retrieved on Jan. 18, 2023, pp. 7. Available Aug. 15, 2022.

*Primary Examiner* — Marie D. Fast Horse

(74) *Attorney, Agent, or Firm* — Quarles & Brady LLP

(57) **CLAIM**

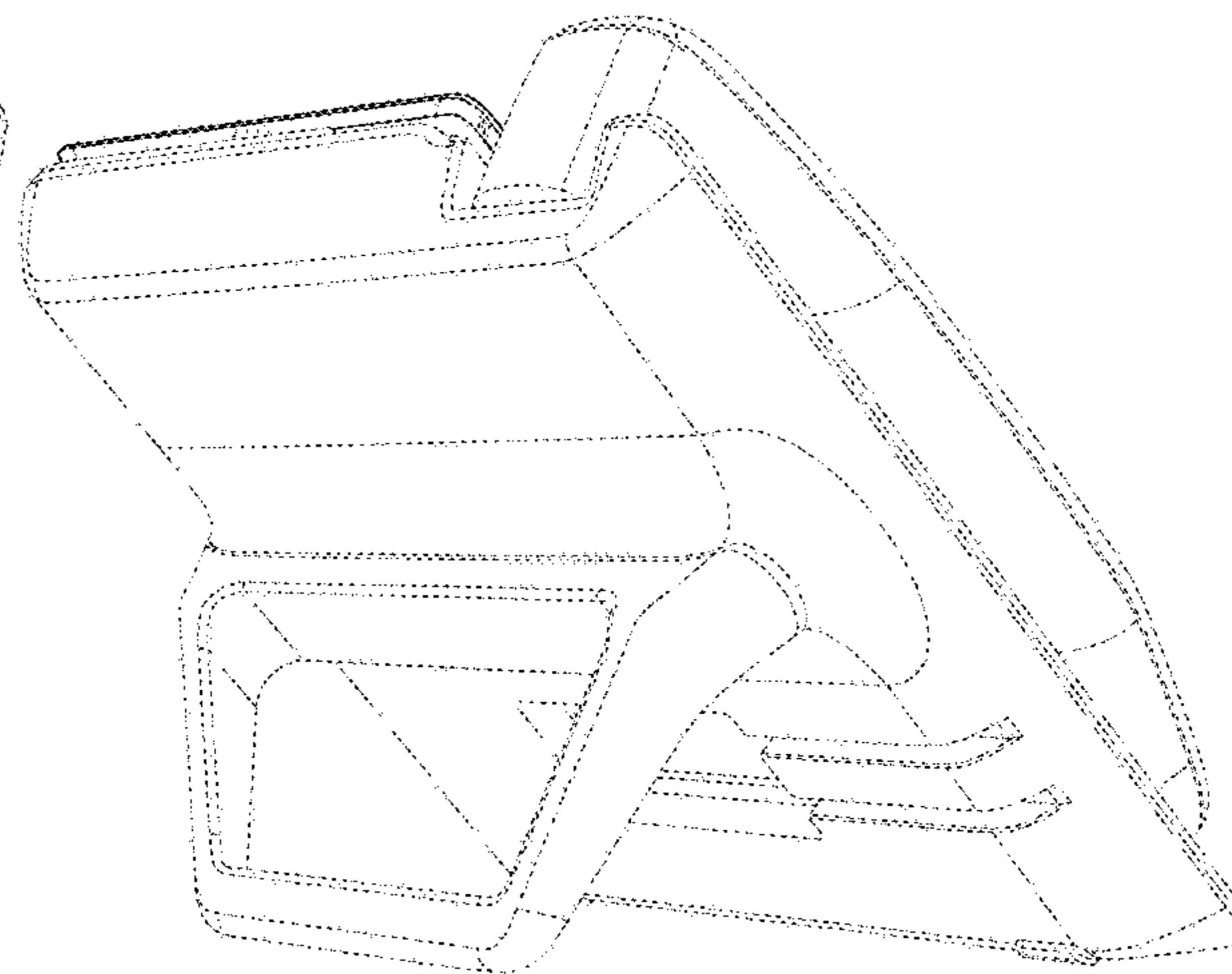
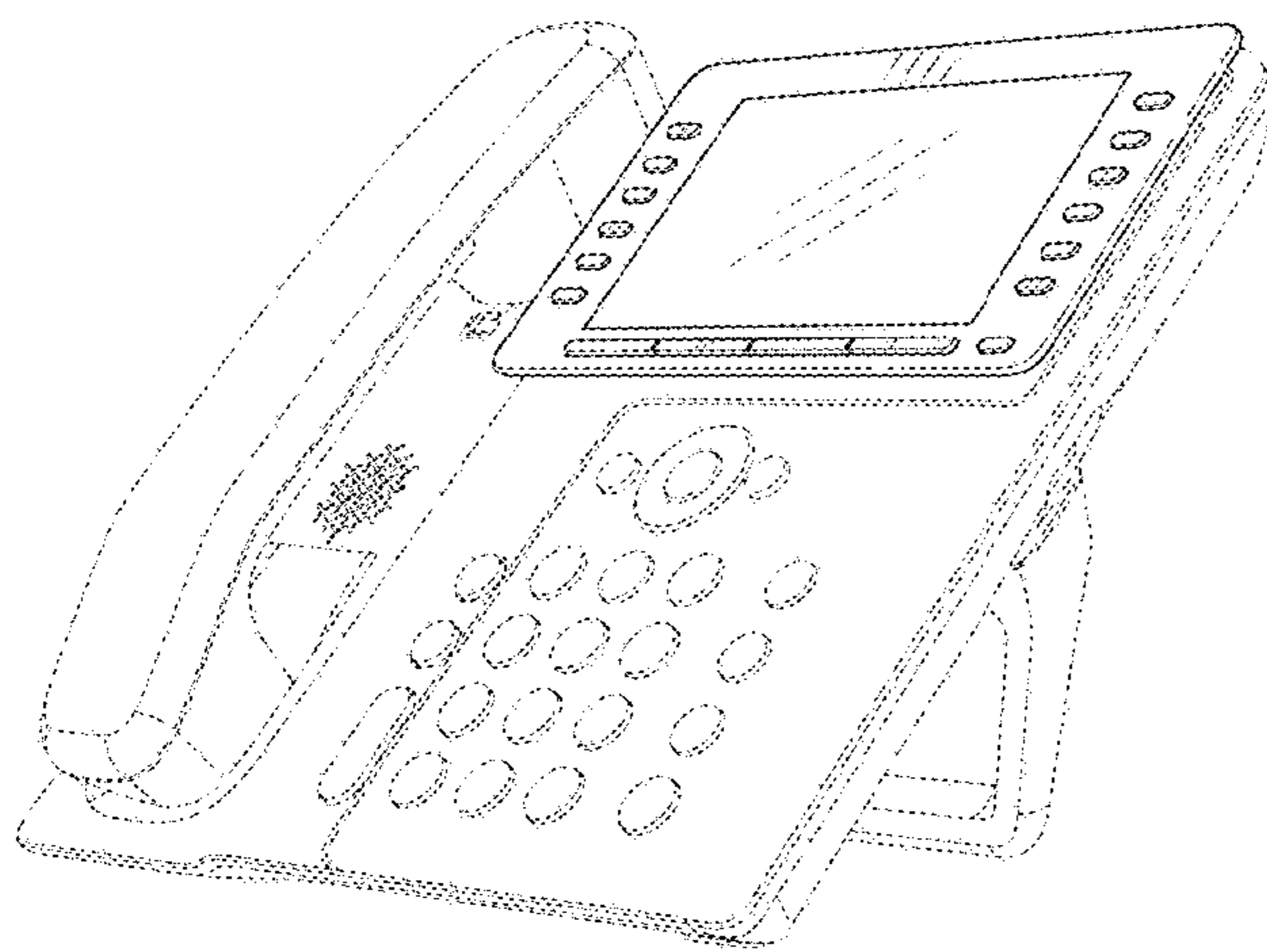
The ornamental design for a desk phone, as shown and described.

**DESCRIPTION**

FIG. 1 is a front-right perspective view of a desk phone, showing our new design;  
FIG. 2 is a top-left-back perspective view thereof;  
FIG. 3 is a bottom view thereof;  
FIG. 4 is a top view thereof;  
FIG. 5 is a left-side view thereof;  
FIG. 6 is a right-side view thereof;  
FIG. 7 is a front view thereof; and,  
FIG. 8 is a back view thereof.

The broken lines in the drawings depict portions of the desk phone that form no part of the claimed design. The thin, black lines shown in long dashes with intermittent breaks are shading and/or tangent lines to show contour of the surfaces or curved edges of a desk phone, and do not actually appear on the surface of the device.

**1 Claim, 8 Drawing Sheets**



(56)

References Cited

U.S. PATENT DOCUMENTS

D299,456 S *	1/1989	Kuo	D14/151	D537,065 S *	2/2007	Chen	D14/151
D300,025 S	2/1989	Honda		D551,203 S *	9/2007	Abe	D14/151
D301,475 S	6/1989	Nagele		D552,071 S	10/2007	Park et al.	
D303,114 S	8/1989	Danielson et al.		D555,143 S	11/2007	Chou	
D304,326 S	10/1989	Perkins		D556,180 S	11/2007	Udagawa et al.	
D307,009 S *	4/1990	Boykiw	D14/149	D556,181 S *	11/2007	Liu	D14/151
D311,398 S	10/1990	Sugano		D558,180 S	12/2007	Daly et al.	
D314,374 S *	2/1991	Sasaki	D14/151	D558,727 S	1/2008	Daly et al.	
D318,469 S	7/1991	Joffe et al.		D558,729 S	1/2008	Daly et al.	
D319,829 S	9/1991	Wu		D565,020 S	3/2008	Daly et al.	
D321,188 S	10/1991	Gordon		D571,361 S	6/2008	Moriyama	
D323,657 S	2/1992	Danielson et al.		D576,998 S	9/2008	Furuno	
D324,036 S	2/1992	Wakasa		D581,897 S	12/2008	Katori	
D325,730 S	4/1992	van der Zon		D582,886 S	12/2008	Woo et al.	
D330,028 S	10/1992	Gagnon et al.		D585,397 S	1/2009	Hwang	
D330,201 S	10/1992	Preece et al.		D601,136 S	9/2009	Miles et al.	
D335,667 S	5/1993	Kawakami et al.		D604,258 S	11/2009	Rinaldi et al.	
D346,785 S	5/1994	Lundell et al.		D608,759 S	1/2010	Chun et al.	
D349,899 S	8/1994	Siddoway et al.		D611,031 S	3/2010	Lesniak et al.	
D352,032 S	11/1994	Cowan		D613,724 S	4/2010	Kao et al.	
D356,087 S	3/1995	Jarrett et al.		D615,066 S	5/2010	Huang et al.	
5,432,836 A	7/1995	Jarrett		D620,464 S	7/2010	Quiros et al.	
D366,484 S *	1/1996	Levin	D14/151	D620,472 S	7/2010	Robinson et al.	
D368,091 S *	3/1996	Yoshihiko	D14/151	D620,917 S	8/2010	Hattori et al.	
D369,601 S	5/1996	Tomoike		D629,381 S	12/2010	Verthein et al.	
D395,304 S	6/1998	Mori et al.		D636,769 S	4/2011	Wood et al.	
D401,235 S	11/1998	Fuke et al.		D653,646 S	2/2012	Hovdal	
5,862,214 A	1/1999	Aggus et al.		D654,074 S	2/2012	Wood et al.	
D408,817 S	4/1999	Ishibashi		D657,772 S	4/2012	Shadovitz et al.	
D410,229 S	5/1999	Chiocchi		D657,773 S	4/2012	Corsini et al.	
D411,987 S	7/1999	Mizusugi et al.		D658,616 S	5/2012	Van et al.	
D412,171 S	7/1999	Girardi et al.		D658,627 S	5/2012	Katori	
D423,001 S	4/2000	Shindo		D668,901 S	10/2012	Jones et al.	
D425,856 S	5/2000	Shindo		D675,592 S	2/2013	Fuxen	
D426,536 S	6/2000	Shindo		D686,184 S	7/2013	Takahata et al.	
D427,985 S *	7/2000	Takayama	D14/151	D723,502 S *	3/2015	Chun	D14/142
D431,541 S	10/2000	Nagele et al.		D725,623 S	3/2015	Hartmann et al.	
D432,107 S	10/2000	Isonaga		D738,845 S	9/2015	Kwak et al.	
D432,108 S	10/2000	Isonaga		D744,464 S	12/2015	Snyder et al.	
D432,497 S	10/2000	Totsuka et al.		D753,624 S	4/2016	Ji	
D433,677 S	11/2000	Tsuge et al.		D757,677 S	5/2016	Hutt et al.	
D435,040 S	12/2000	Shen et al.		D763,219 S	8/2016	Engelke et al.	
D442,158 S	5/2001	Isonaga		D767,527 S	9/2016	Hillenmayer	
D457,509 S	5/2002	Ohwada et al.		D776,655 S	1/2017	Chen et al.	
D471,171 S	3/2003	Yamanouchi et al.		D783,569 S	4/2017	Kwak et al.	
D471,527 S	3/2003	Yamanouchi et al.		D784,283 S	4/2017	Snyder et al.	
D472,227 S	3/2003	Takayama et al.		D788,737 S *	6/2017	Takei	D14/151
D479,517 S	9/2003	Weidinger		D835,060 S	12/2018	Peng	
D481,698 S	11/2003	Yamada et al.		D835,599 S	12/2018	Peng	
D481,699 S	11/2003	Jauregui et al.		D848,391 S *	5/2019	Li	D14/151
D481,700 S	11/2003	Jauregui et al.		D851,617 S	6/2019	Rodriguez et al.	
D489,700 S *	5/2004	Hillenmayer	D14/151	D853,981 S	7/2019	Nakano et al.	
D490,795 S	6/2004	Watanabe et al.		D896,199 S	9/2020	Rodriguez et al.	
D499,711 S	12/2004	Baswell		10,924,598 B1	2/2021	Rodriguez et al.	
D511,153 S	11/2005	dos Santos		D932,454 S *	10/2021	Darias	D14/140
D512,703 S	12/2005	Ookawa		D934,832 S	11/2021	Su	
D529,477 S *	10/2006	Hsu	D14/151	D934,833 S *	11/2021	Su	D14/151
D529,894 S	10/2006	Yanagisawa et al.		D934,834 S *	11/2021	Su	D14/151
D530,303 S	10/2006	Tang		D934,835 S *	11/2021	Su	D14/151
D531,613 S	11/2006	Lesniak et al.		2008/0240416 A1	10/2008	Abramson et al.	
D535,277 S *	1/2007	Mamizuka	D14/151	2011/0216898 A1	9/2011	Huang et al.	
				2022/0303378 A1 *	9/2022	Janour	H04M 1/62

\* cited by examiner



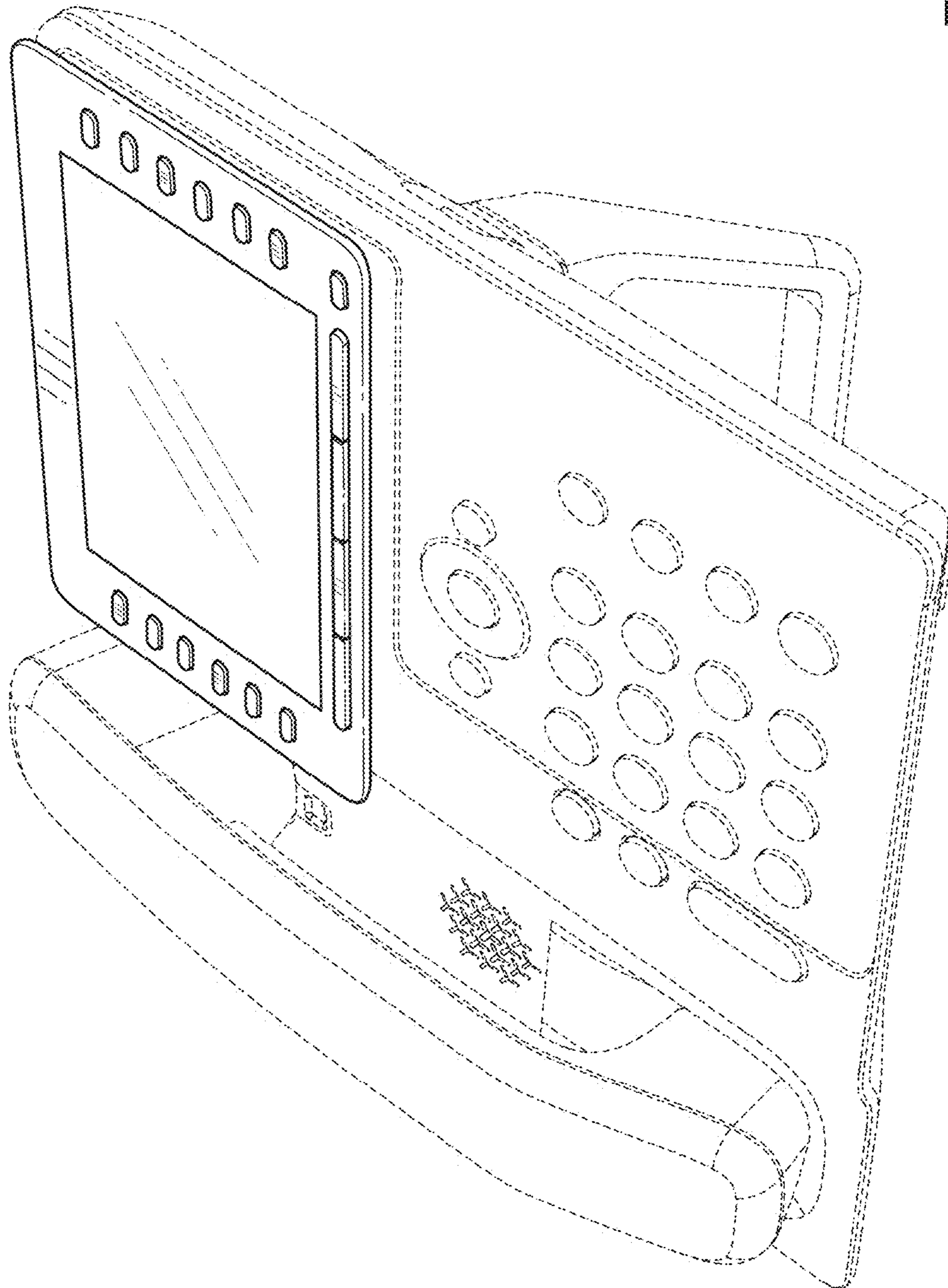


FIG. 1

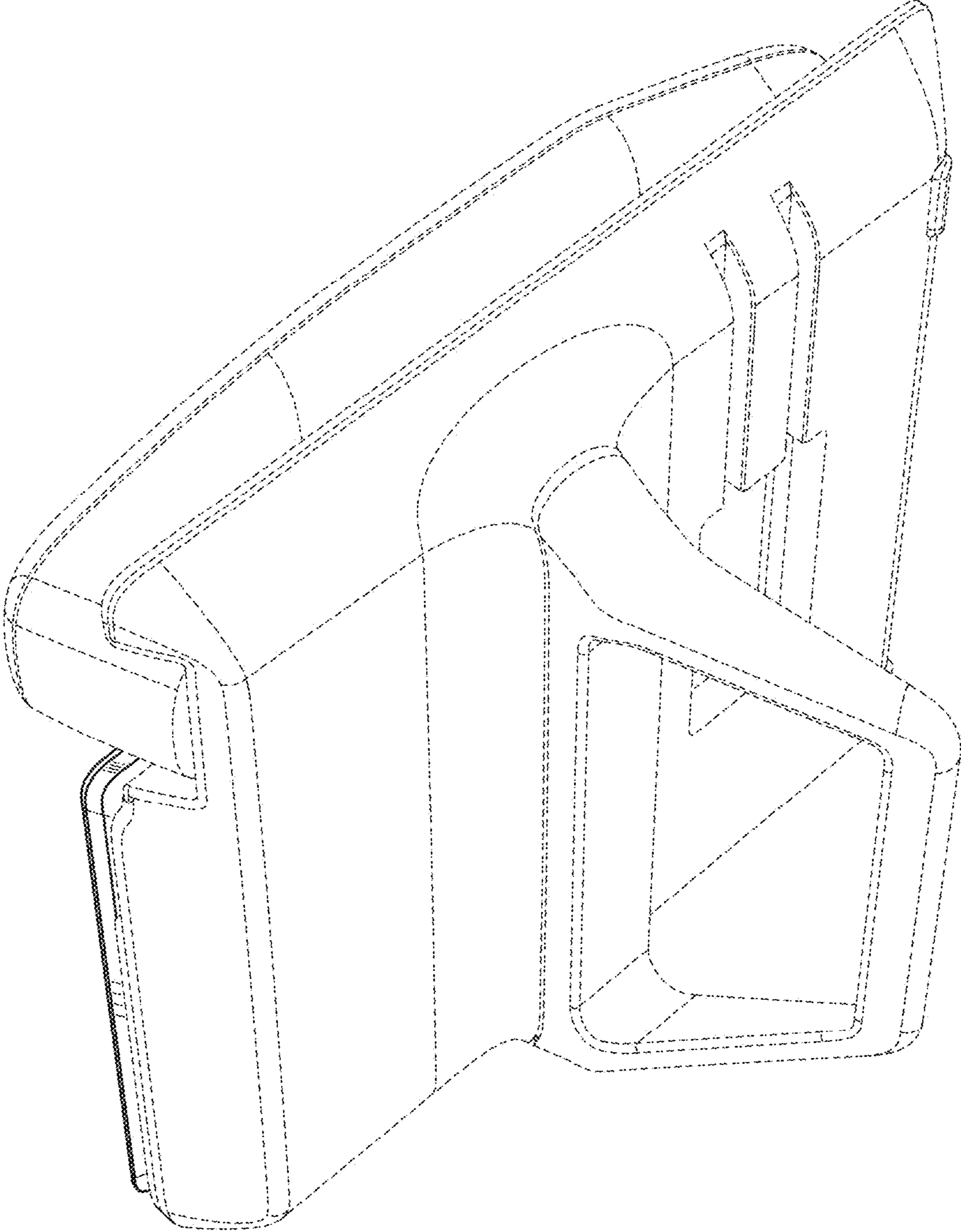


FIG. 2

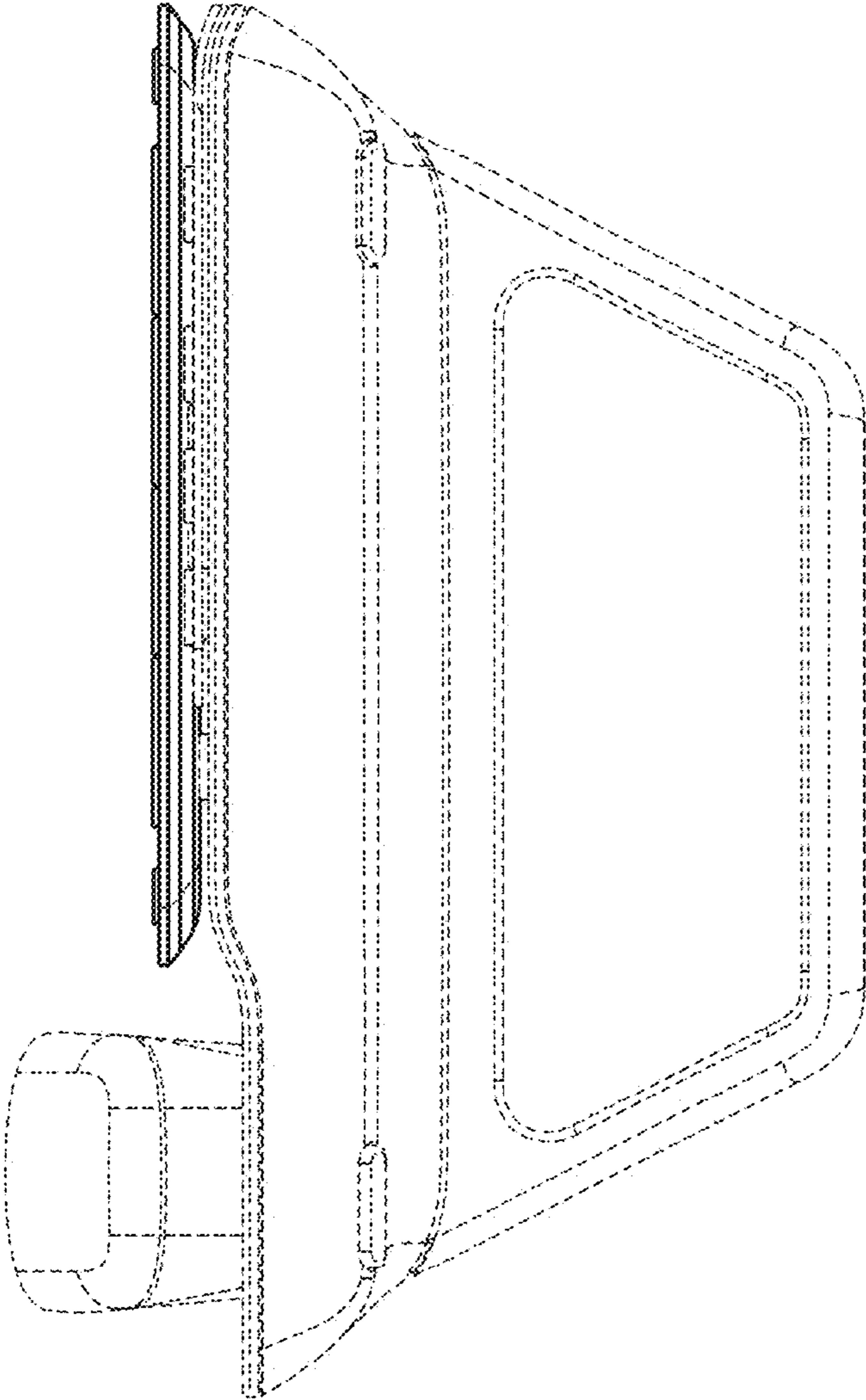


FIG. 3

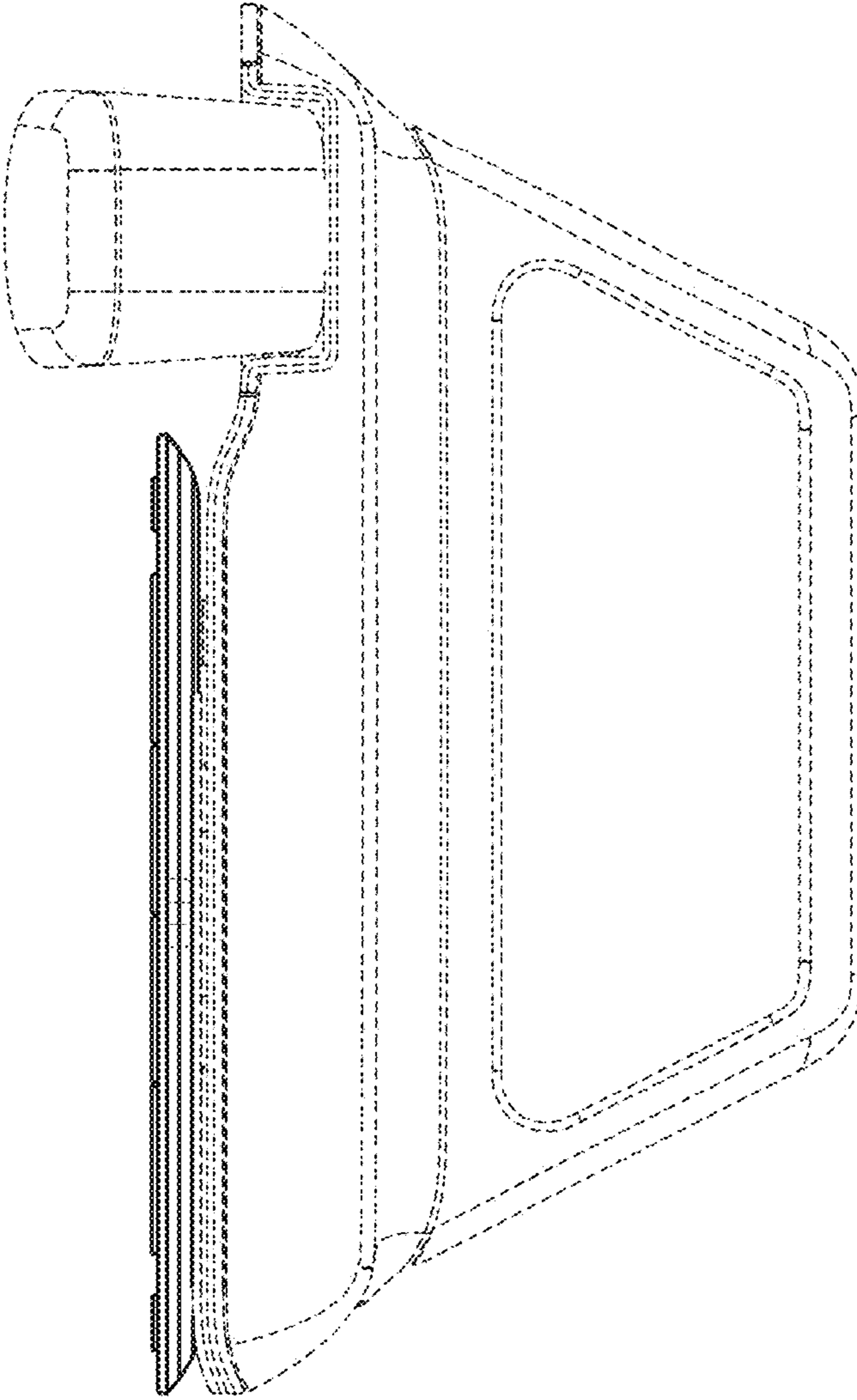


FIG. 4

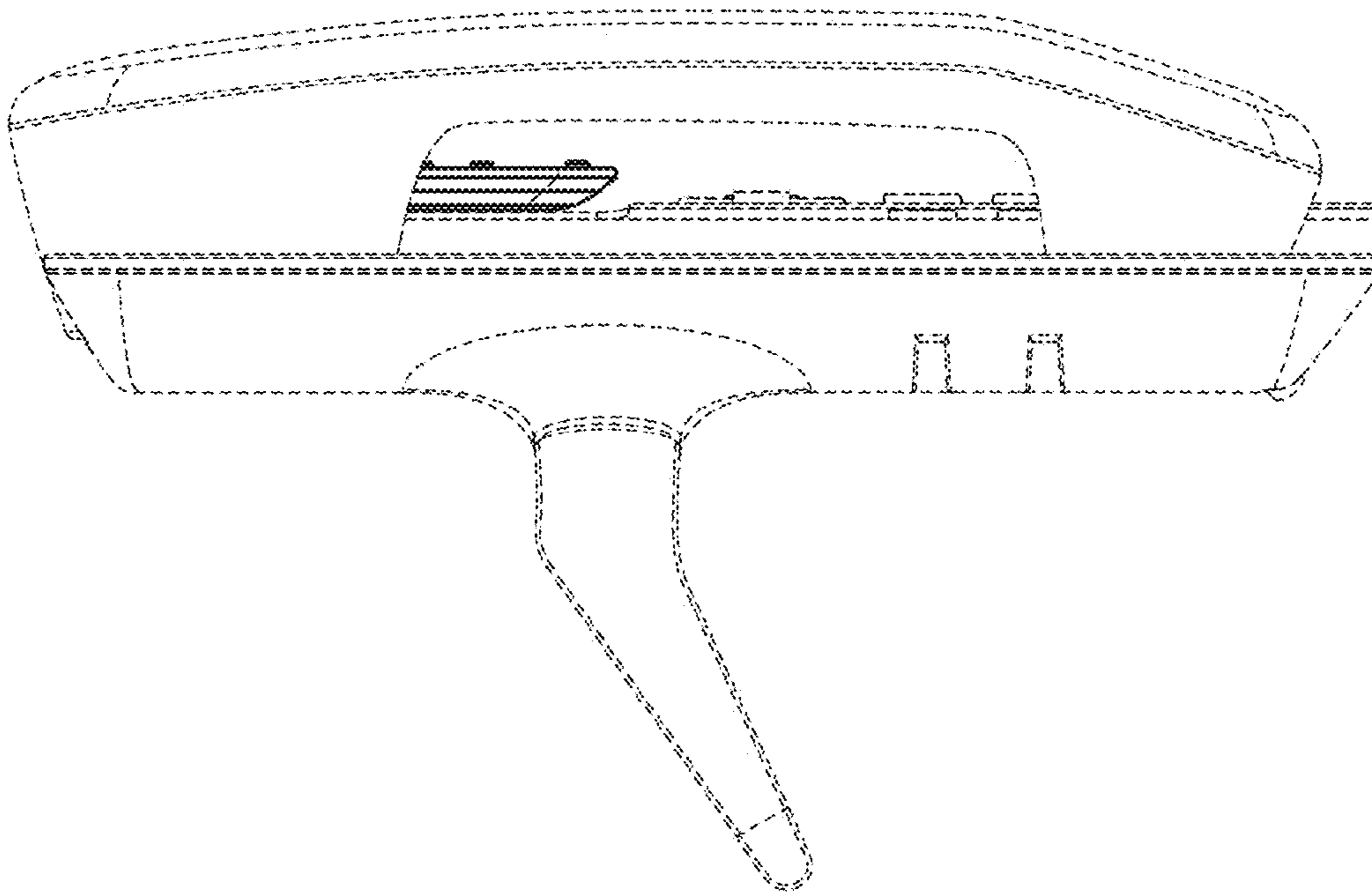


FIG. 5



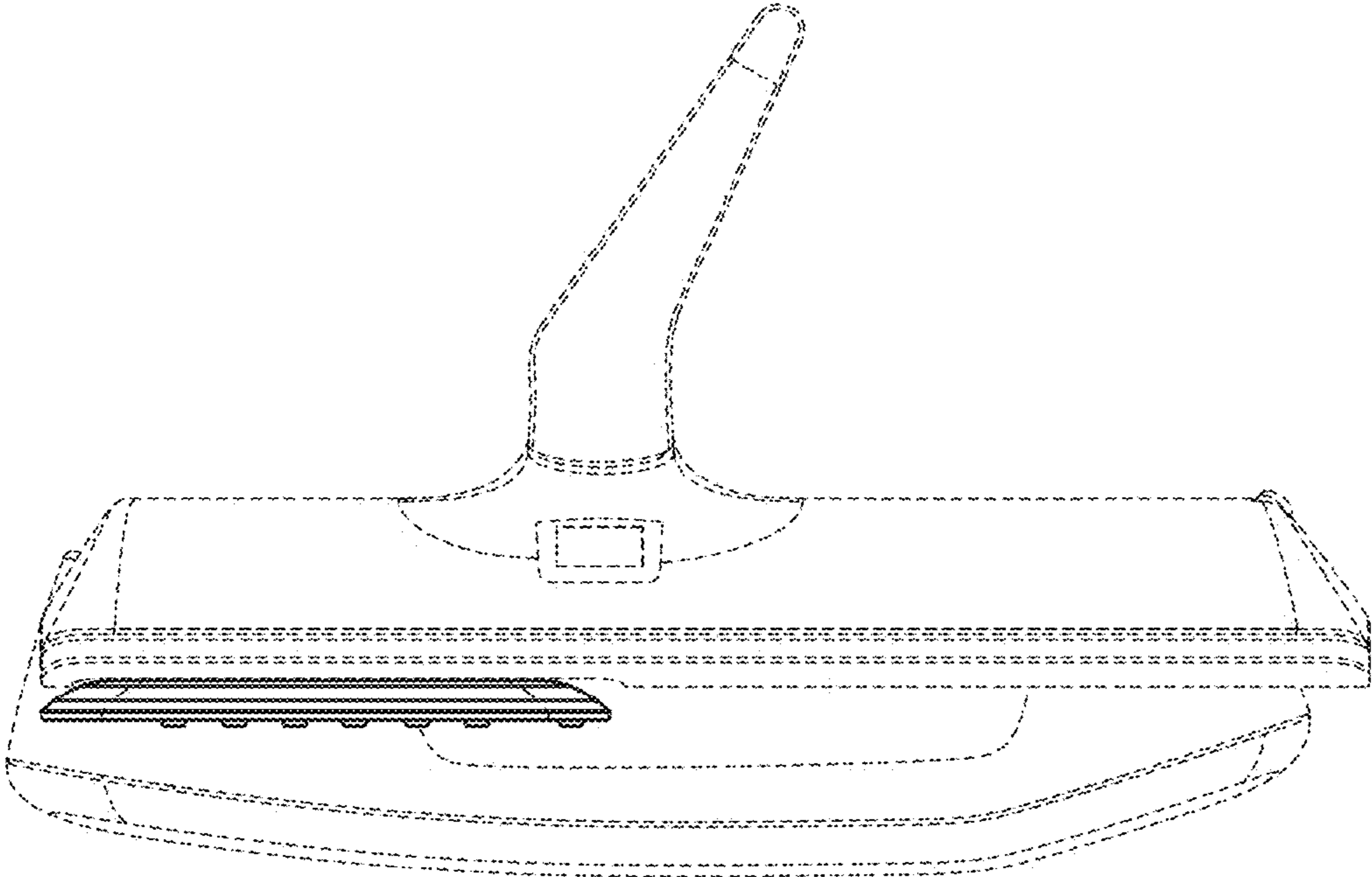


FIG. 6



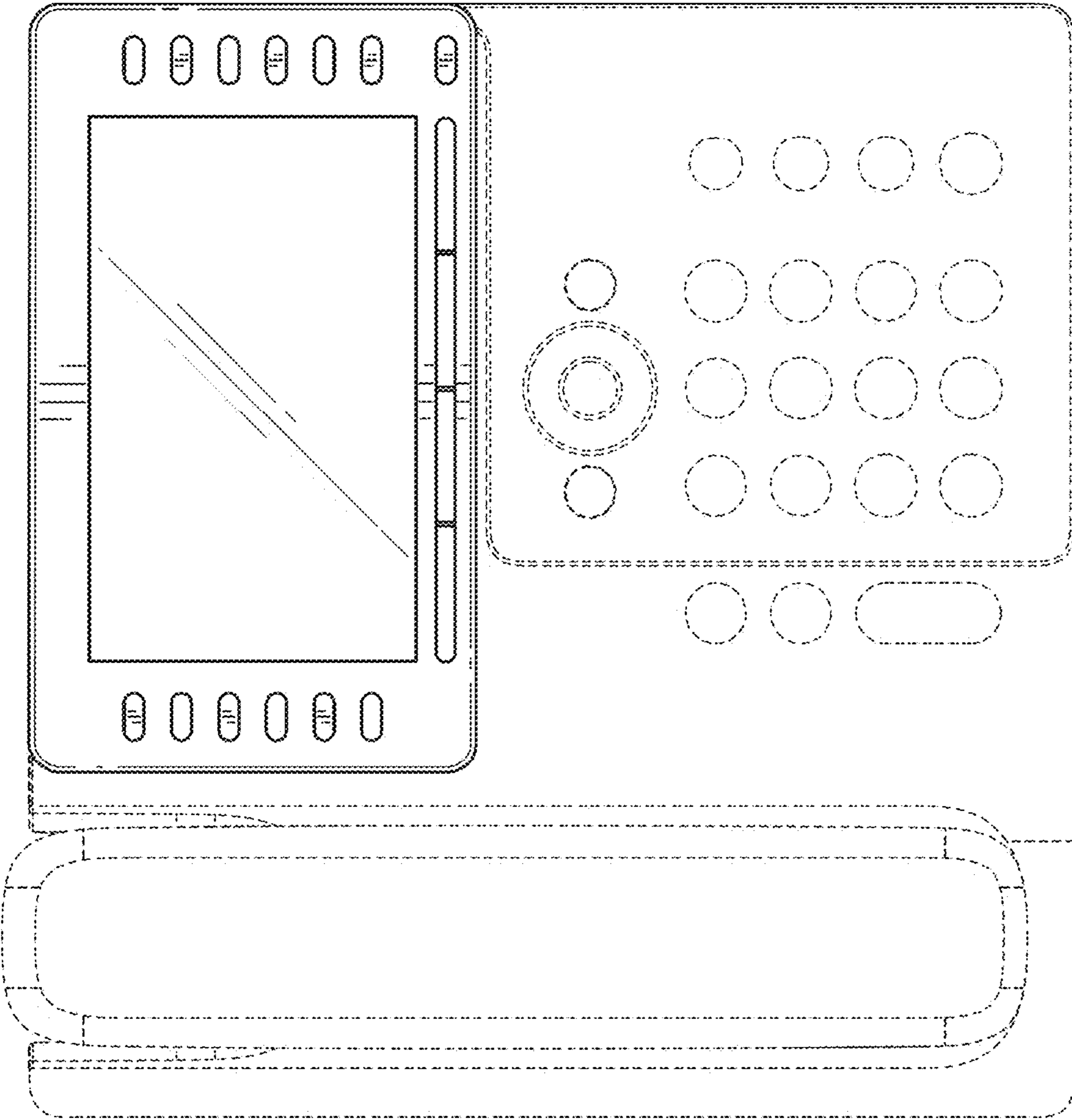


FIG. 7

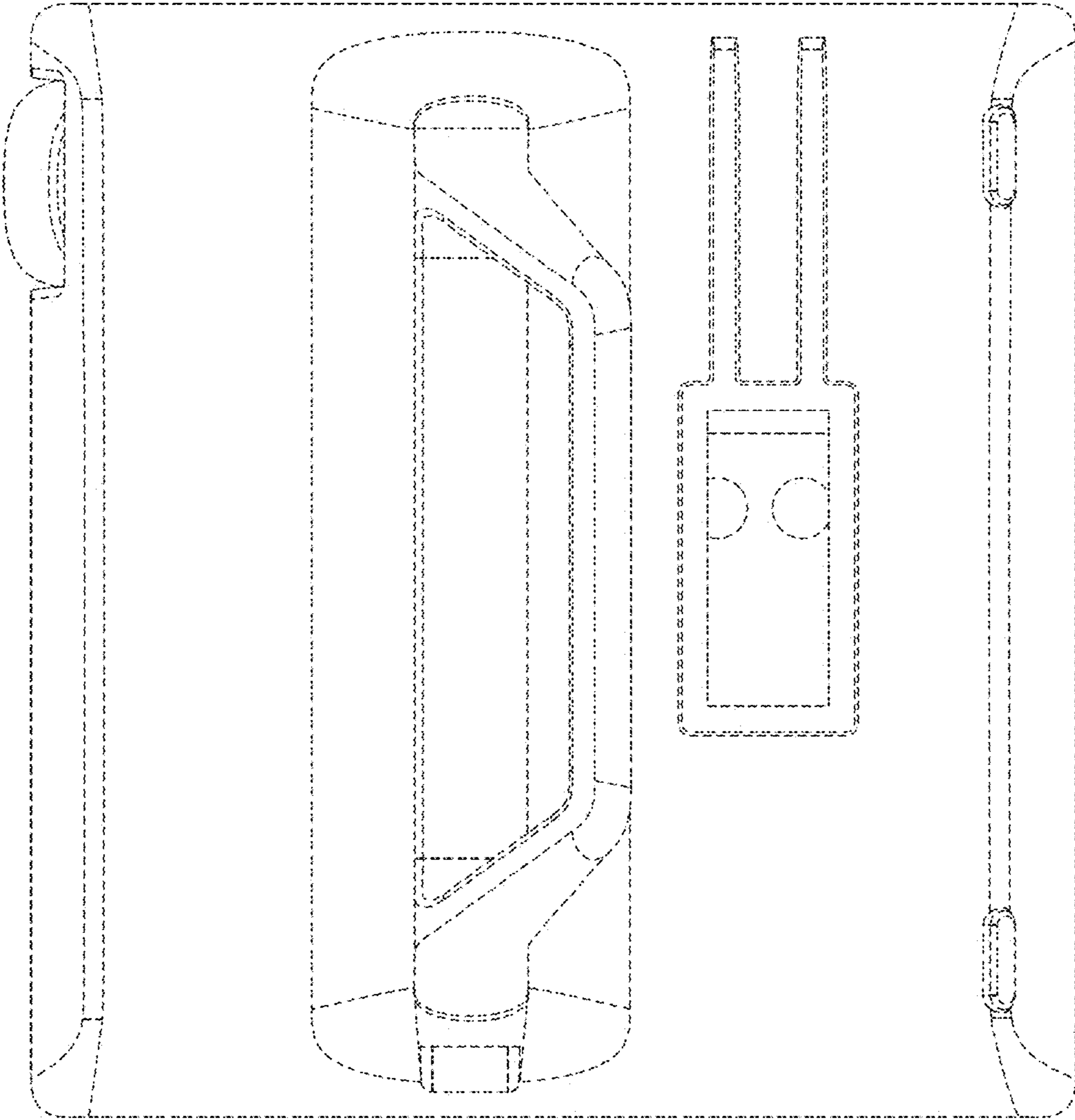


FIG. 8