



US00D989729S

(12) **United States Design Patent**
Kwon et al.

(10) **Patent No.:** **US D989,729 S**
(45) **Date of Patent:** **** Jun. 20, 2023**

(54) **DIGITAL SIGNAGE**

FOREIGN PATENT DOCUMENTS

(71) Applicant: **LG ELECTRONICS INC.**, Seoul (KR)

KR 301010984.0000 * 6/2020

(72) Inventors: **Areum Kwon**, Seoul (KR); **Jiyeon Lee**, Seoul (KR); **Yongho Lee**, Seoul (KR); **Chanwoo Park**, Seoul (KR)

OTHER PUBLICATIONS

Base Stand for Vizio TV Legs, first available Sep. 22, 2022 [online], [retrieved Oct. 19, 2022]. Available from the Internet, URL: <https://a.co/d/eTn7ffo>. (Year: 2022).*

(73) Assignee: **LG ELECTRONICS INC.**, Seoul (KR)

(Continued)

(**) Term: **15 Years**

Primary Examiner — Dana K Weiland

Assistant Examiner — Russell Carnell Smith, Jr.

(21) Appl. No.: **29/797,886**

(74) *Attorney, Agent, or Firm* — Birch, Stewart, Kolasch & Birch, LLP

(22) Filed: **Jul. 2, 2021**

(57) **CLAIM**

(30) **Foreign Application Priority Data**

The ornamental design for a digital signage, as shown and described.

Jan. 8, 2021 (KR) 30-2021-0001006

(51) **LOC (14) Cl.** **14-03**

(52) **U.S. Cl.**
USPC **D14/126**

(58) **Field of Classification Search**
USPC D10/113.4; D14/125–134, 136, 159, 239, D14/336, 342, 371, 374–377, 440, 448, D14/450, 238, 451; D20/9, 10, 12, 15, D20/17, 19, 29, 39, 41, 42, 99
CPC G09F 9/00; G09F 9/30; G09F 9/35; G09F 9/302; G09F 7/00; G09F 7/02; G09F 7/16; G06F 1/16; G06F 1/1601; G06F 1/1605; G06F 1/1637; G06F 1/162
See application file for complete search history.

DESCRIPTION

FIG. 1 is a front perspective view of the digital signage showing our new design;
FIG. 2 is a front view thereof;
FIG. 3 is a back view thereof;
FIG. 4 is a left side view thereof;
FIG. 5 is a right side view thereof;
FIG. 6 is a top plan view thereof;
FIG. 7 is a bottom plan view thereof;
FIG. 8 is a back perspective view thereof;
FIG. 9 is an enlarged view of a portion of FIG. 1;
FIG. 10 is an enlarged view of a portion of FIG. 8; and,
FIG. 11 is a reference view showing the state of use that the stand has been separated from the bottom bar of the display part.
The broken lines depict portions of the digital signage that form no part of the claimed design. The dot-dash broken lines encircling portions of the digital signage in FIGS. 1 and 8 and illustrated in enlarged views in FIGS. 9 and 10 form no part of the claimed design.

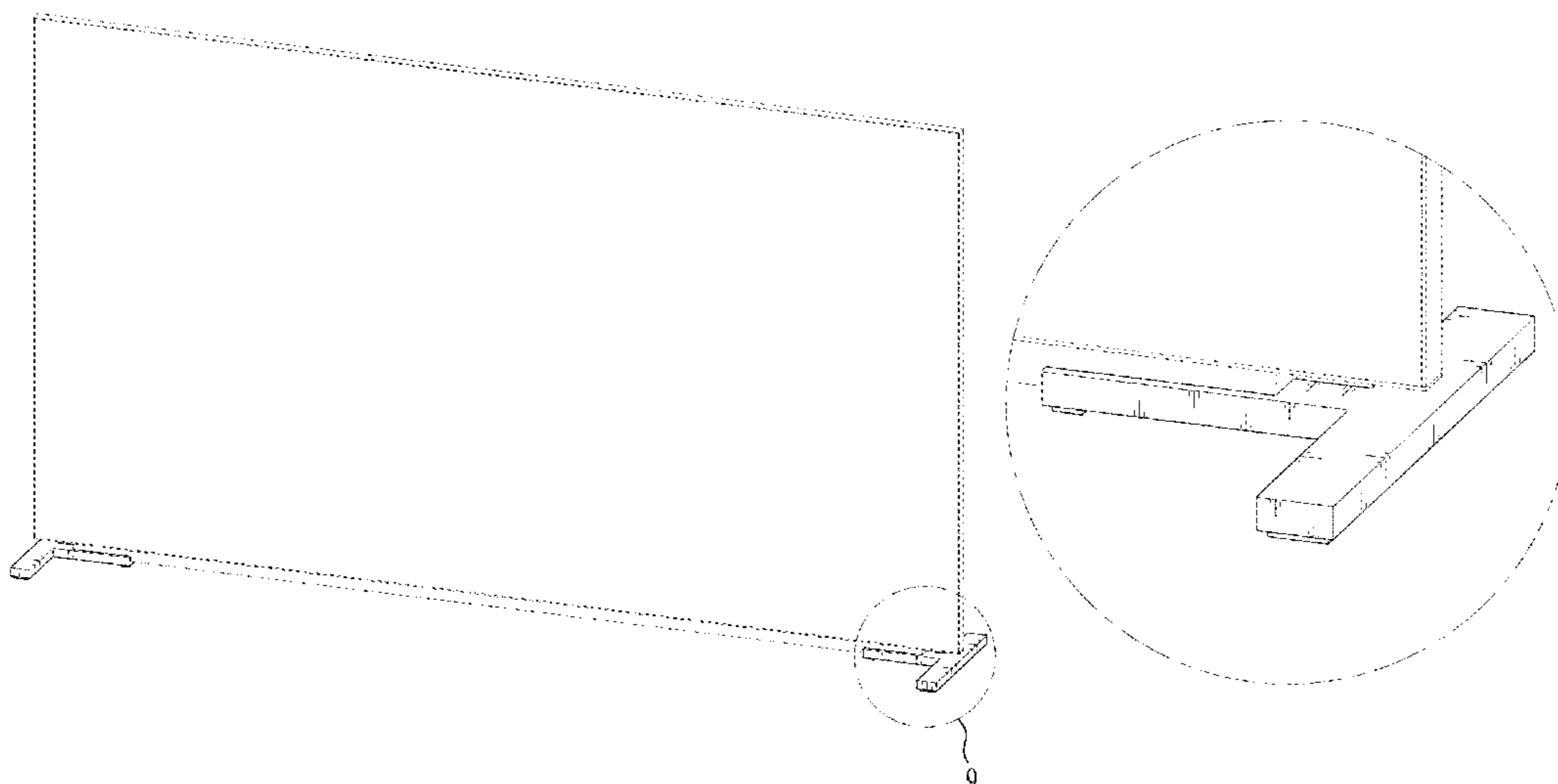
(56) **References Cited**

U.S. PATENT DOCUMENTS

3,625,462 A * 12/1971 Jordan F16B 12/44 403/189
D314,299 S * 2/1991 Diffrient D6/709
D324,615 S * 3/1992 Diffrient D6/709

(Continued)

1 Claim, 11 Drawing Sheets



(56)

References Cited

U.S. PATENT DOCUMENTS

D701,855 S * 4/2014 Kumano D14/239
D761,237 S * 7/2016 Moon F16B 12/44
D795,851 S * 8/2017 Kim D14/239
D865,730 S * 11/2019 Seong D14/126
D886,111 S * 6/2020 Kim D14/451
D894,856 S * 9/2020 Kim D14/125
D897,325 S * 9/2020 Lee D14/239
D917,619 S * 4/2021 Roland D20/39
D958,124 S * 7/2022 Choi D14/126

OTHER PUBLICATIONS

Ultra Parts OEM Replacement TV Base, first available May 14, 2022 [online], [retrieved Oct. 19, 2022]. Available from the Internet, URL:< <https://a.co/d/1Liib8O>>. (Year: 2022).*

* cited by examiner

FIG. 1

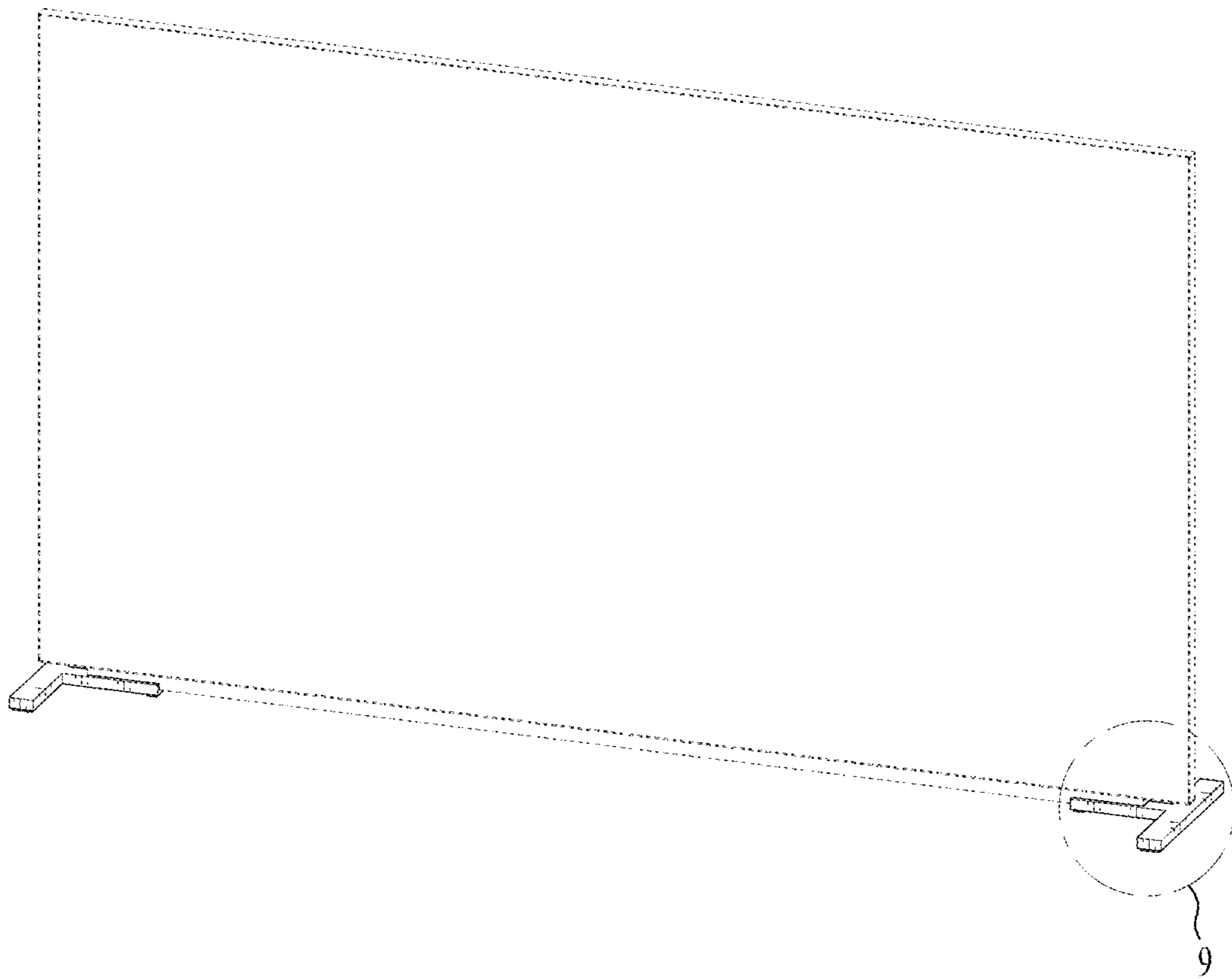


FIG. 2



FIG. 3



FIG. 4

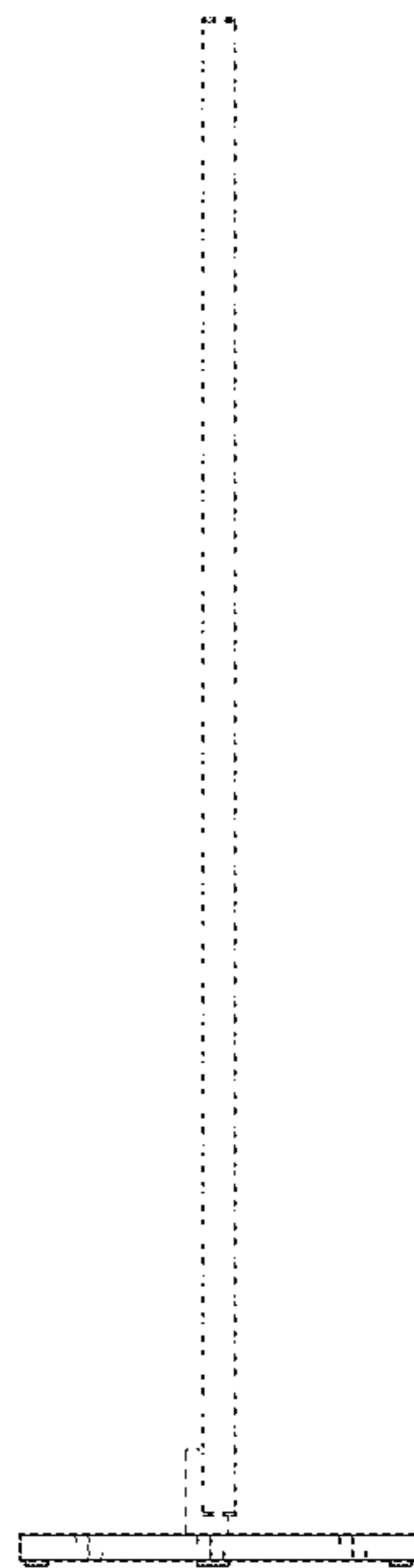


FIG. 5

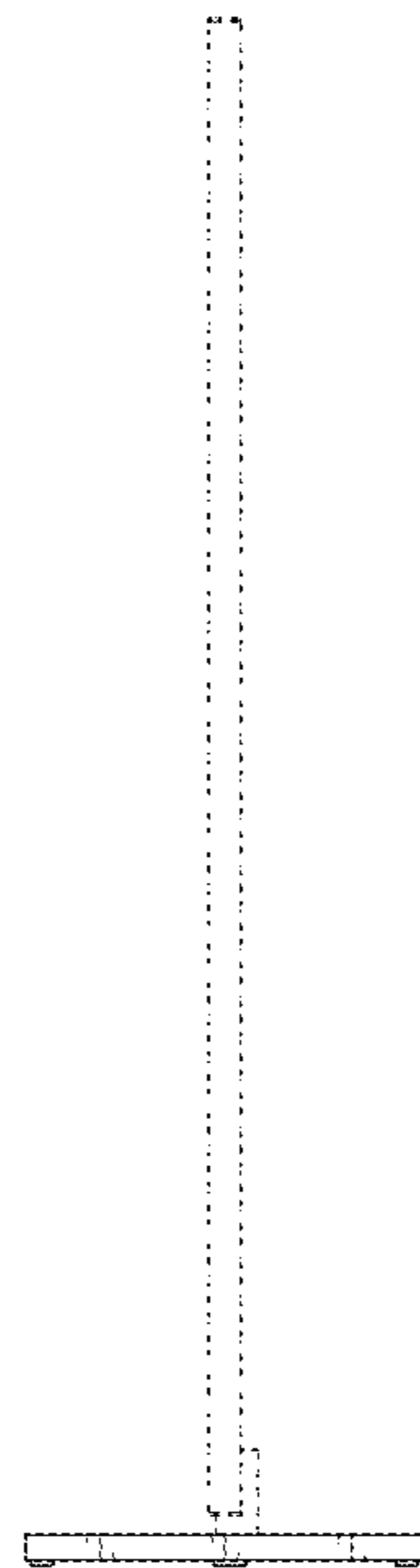


FIG. 6

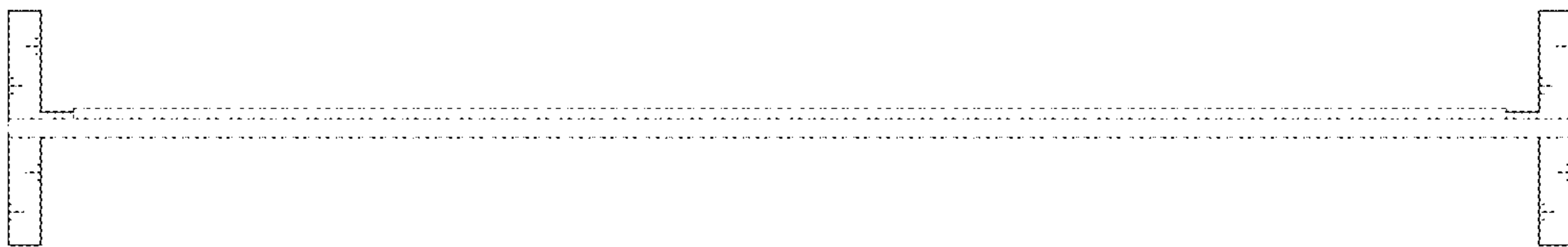


FIG. 7

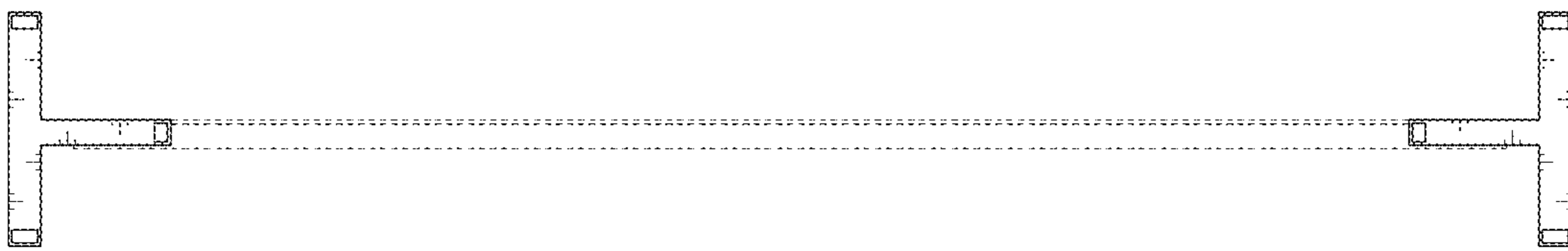


FIG. 8

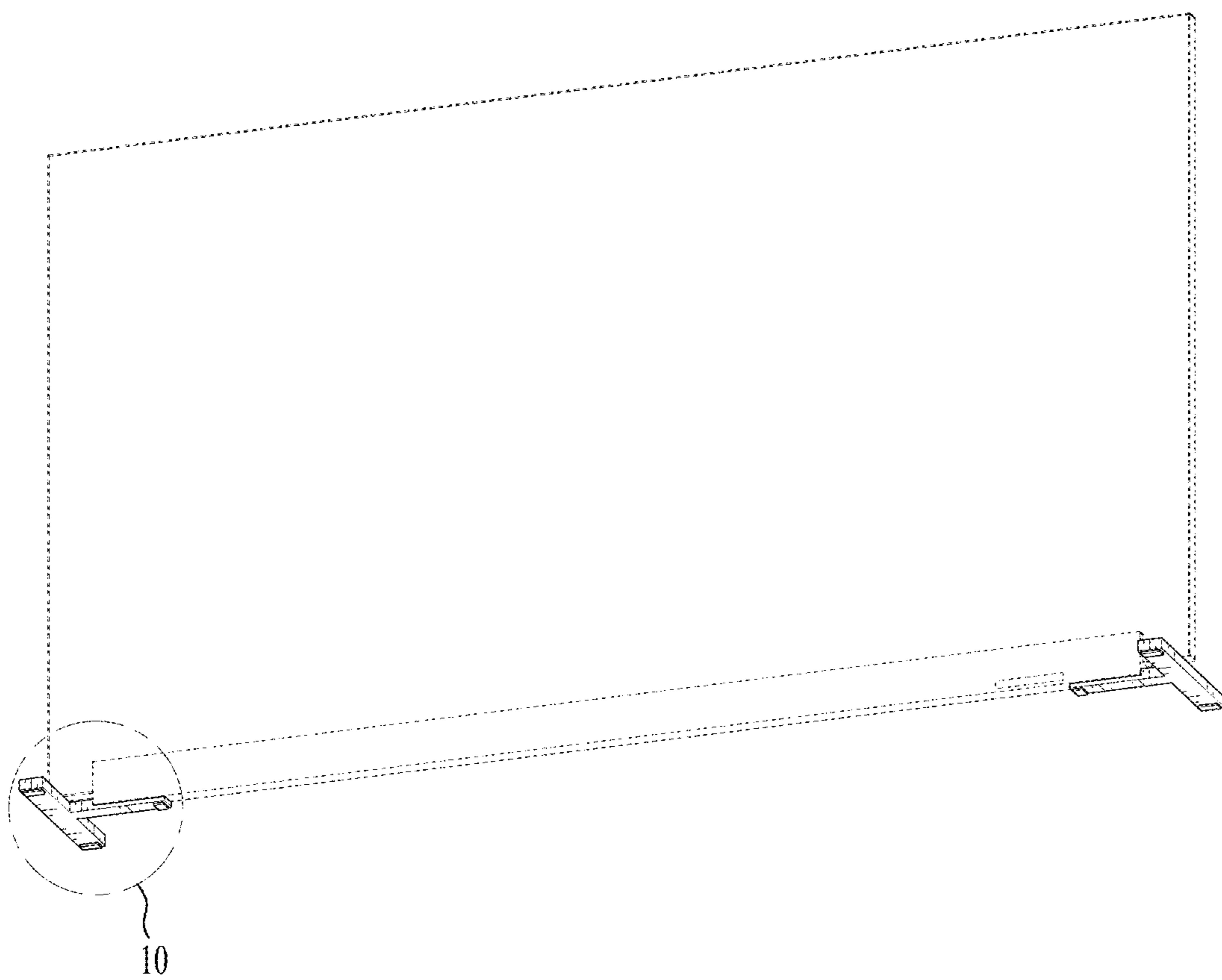


FIG. 9

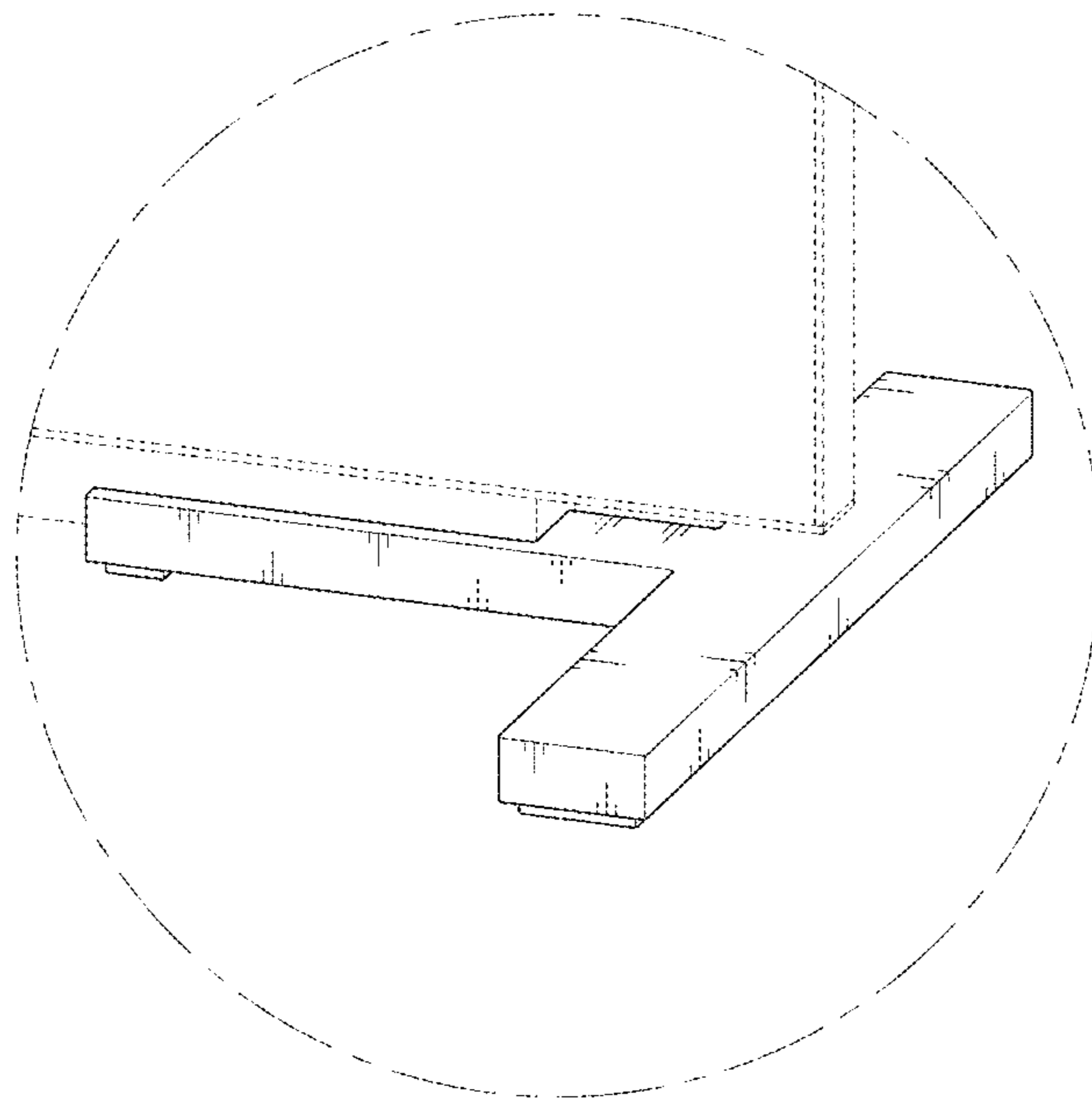


FIG. 10

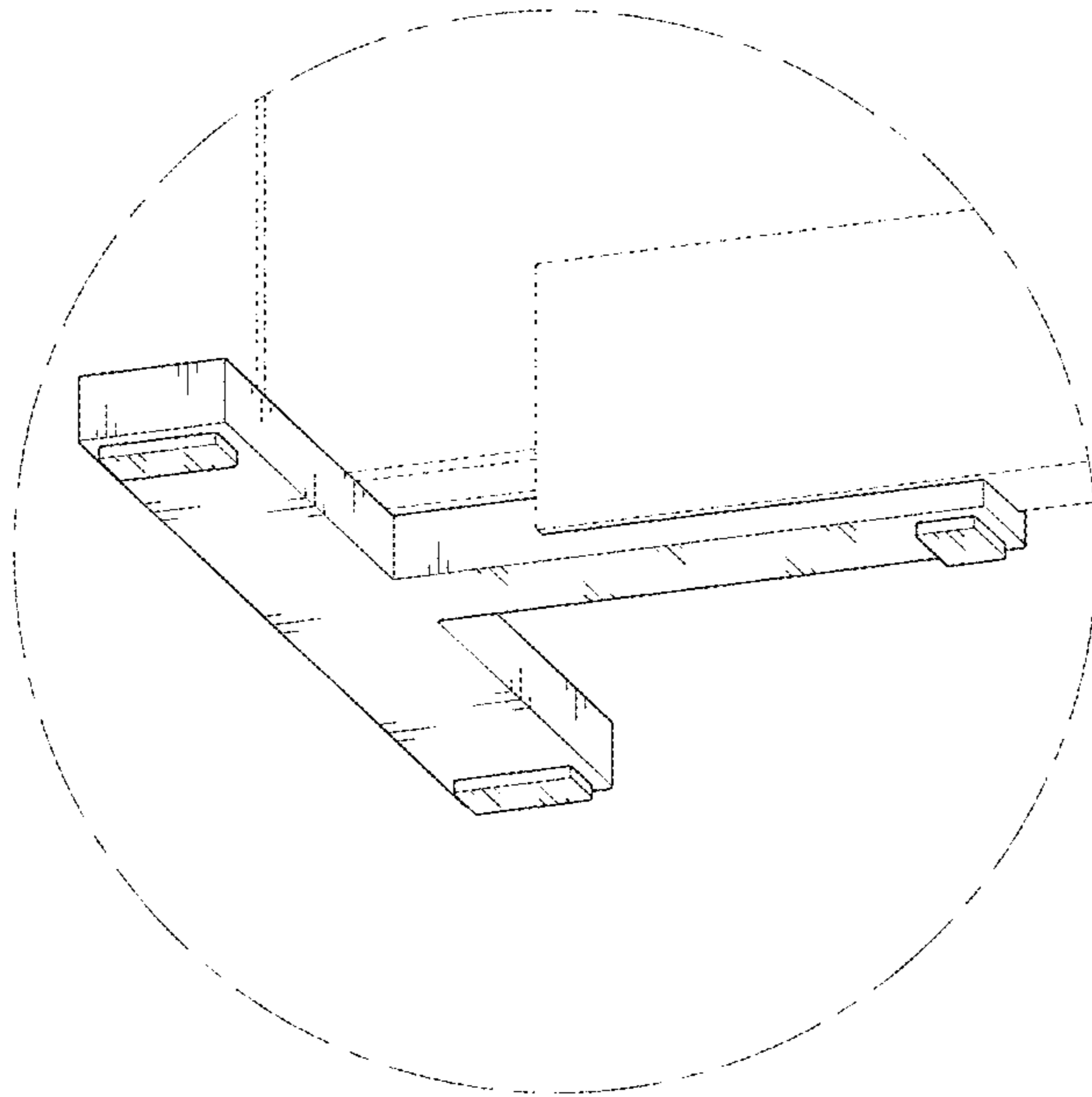


FIG. 11

