



US00D989727S

(12) **United States Design Patent**
Lee et al.

(10) **Patent No.:** **US D989,727 S**
(45) **Date of Patent:** **** Jun. 20, 2023**

(54) **TELEVISION SET**

(71) Applicant: **LG DISPLAY CO., LTD.**, Seoul (KR)

(72) Inventors: **Wonjun Lee**, Paju-si (KR); **Seyoung Kim**, Paju-si (KR); **Youhong Cha**, Paju-si (KR); **Sungsu Ham**, Paju-si (KR); **Dongkyu Yoon**, Paju-si (KR); **Jaewan Park**, Paju-si (KR); **Nakyoung Han**, Paju-si (KR); **Sangyong Park**, Paju-si (KR)

(73) Assignee: **LG DISPLAY CO., LTD.**, Seoul (KR)

(**) Term: **15 Years**

(21) Appl. No.: **29/797,330**

(22) Filed: **Jun. 30, 2021**

(30) **Foreign Application Priority Data**

Jan. 29, 2021 (KR) 30-2021-0005013

(51) **LOC (14) Cl.** **14-03**

(52) **U.S. Cl.**
USPC **D14/126**

(58) **Field of Classification Search**
USPC D14/125-135, 239, 371, 136, 374-377,
D14/440, 450, 451, 447, 224, 448, 336,
D14/342, 159, 251, 209.1, 238; D19/113,
D19/114

CPC H04N 7/00; H04N 9/3141; H04N 13/0459;
H04N 17/04; H04N 17/004; H04N
21/43637; G06F 1/1601; G06F 1/1605;
G06F 1/162

See application file for complete search history.

(56) **References Cited**

U.S. PATENT DOCUMENTS

D407,755 S * 4/1999 Isshiki D99/28
D475,089 S * 5/2003 Cochlan D20/10
D587,317 S * 2/2009 King D20/41

D624,127 S * 9/2010 Lara Bartolome D20/18
D704,709 S * 5/2014 Bussoli D14/375
D839,248 S * 1/2019 Hwang D14/239
D913,981 S * 3/2021 Kim D14/125
D954,669 S * 6/2022 Kim D14/126

(Continued)

FOREIGN PATENT DOCUMENTS

CN 306746163 * 8/2021
CN 307002773 * 12/2021

OTHER PUBLICATIONS

YOMT TV Floor Stand, first available Sep. 20, 2020 [online],
[retrieved Sep. 27, 2022]. Available from the Internet, URL:<https://
a.co/d/7Cn2iZb>. (Year: 2020).*

(Continued)

Primary Examiner — Dana K Weiland

Assistant Examiner — Russell Carnell Smith, Jr.

(74) *Attorney, Agent, or Firm* — Birch, Stewart, Kolasch
& Birch, LLP

(57) **CLAIM**

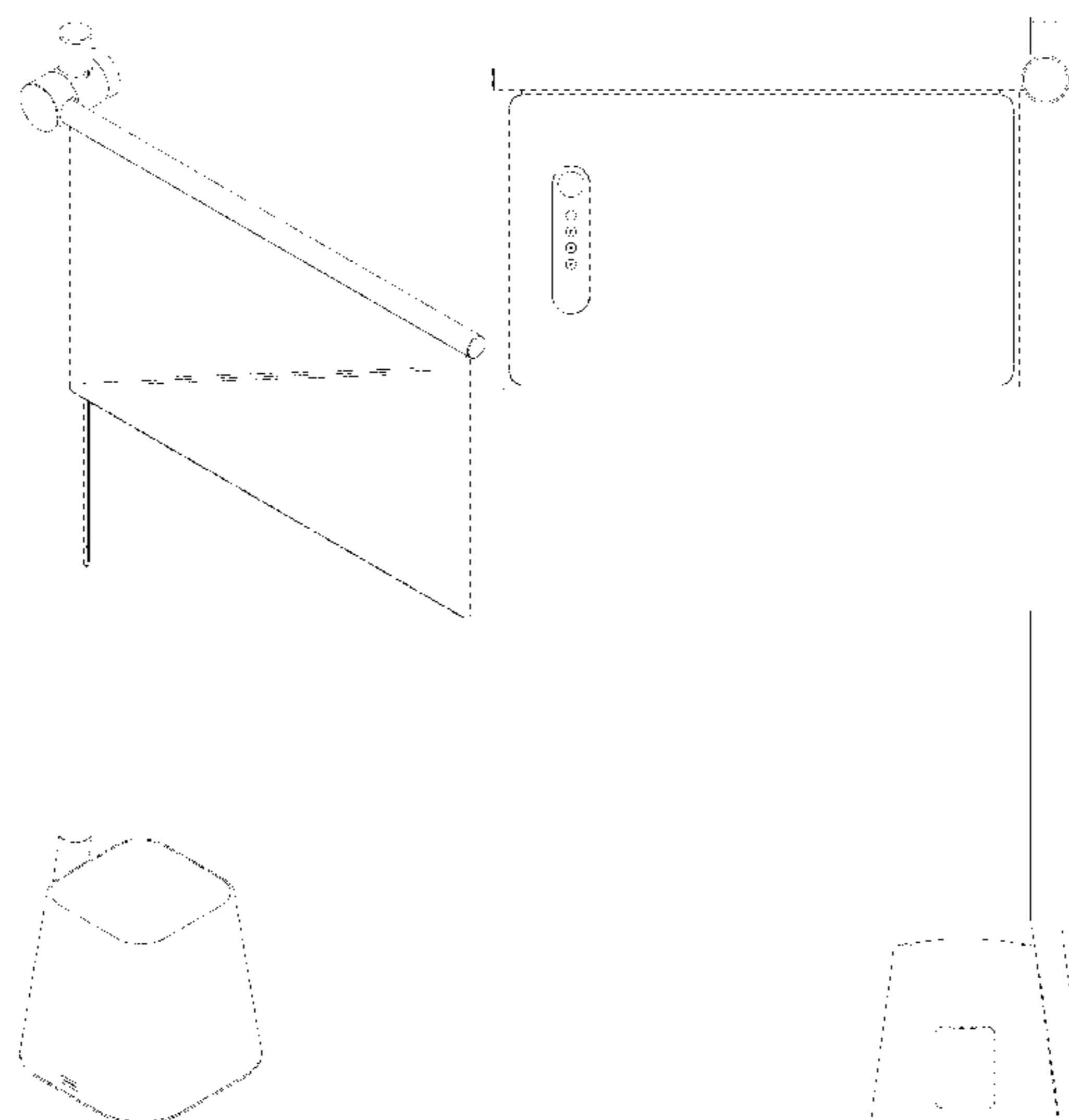
The ornamental design for a television set, as shown and
described.

DESCRIPTION

FIG. 1 is a front, right perspective view of the television set
showing our new design;
FIG. 2 is a front view thereof;
FIG. 3 is a rear view thereof;
FIG. 4 is a left side view thereof;
FIG. 5 is a right side view thereof;
FIG. 6 is a top plan view thereof;
FIG. 7 is a bottom plan view thereof; and,
FIG. 8 is a front view thereof showing a screen separated
from a stand body.

The broken lines shown in the figures depict portions of the
television set that form no part of the claimed design.

1 Claim, 8 Drawing Sheets



(56)

References Cited

U.S. PATENT DOCUMENTS

2003/0160892 A1* 8/2003 Tamura H04N 5/232411
348/E5.025
2022/0068170 A1* 3/2022 Han G06F 1/1652

OTHER PUBLICATIONS

New LG Television, first available Dec. 16, 2021 [online], [retrieved Sep. 27, 2022]. Available from the Internet, URL:<<https://www.extremetech.com/electronics/329803-new-lg-television-is-the-portable-lump-stick-rectangle-of-your-dreams-maybe>>. (Year: 2021).*

* cited by examiner

FIG. 1

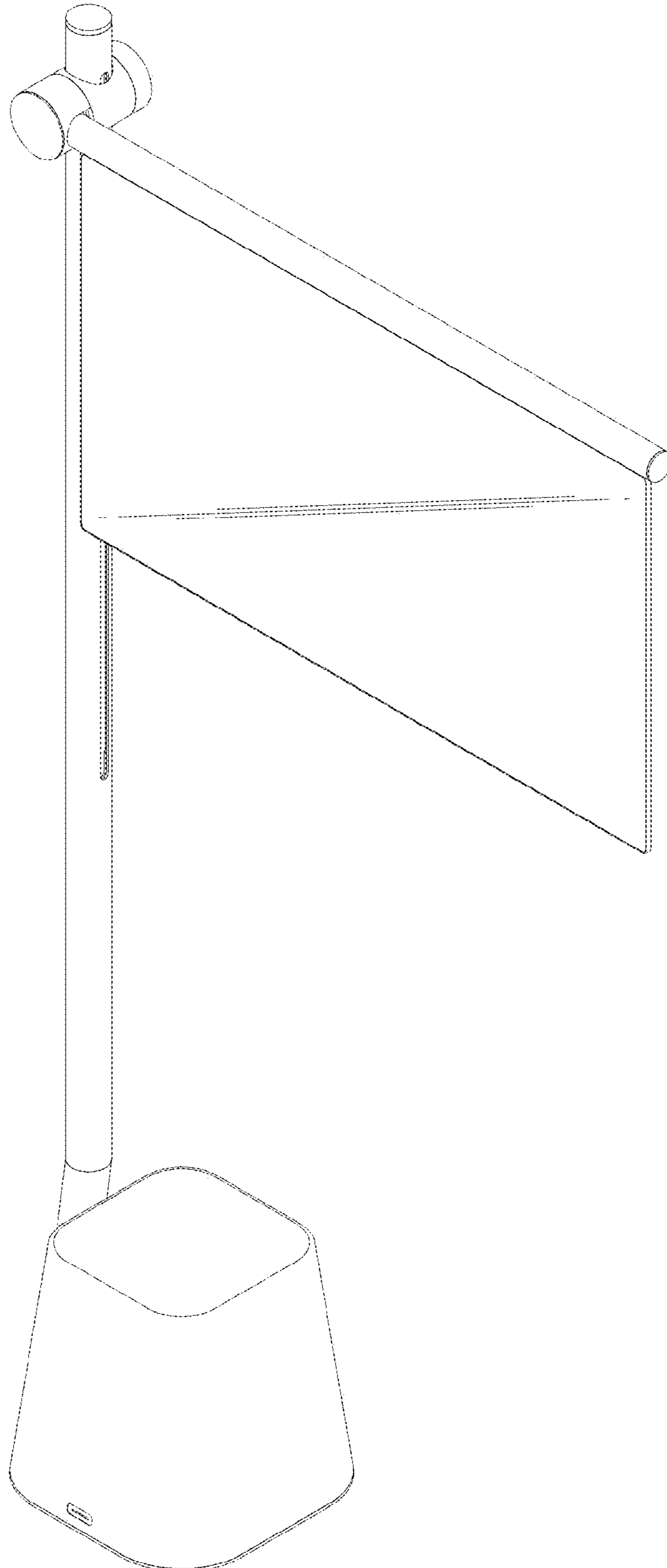


FIG. 2

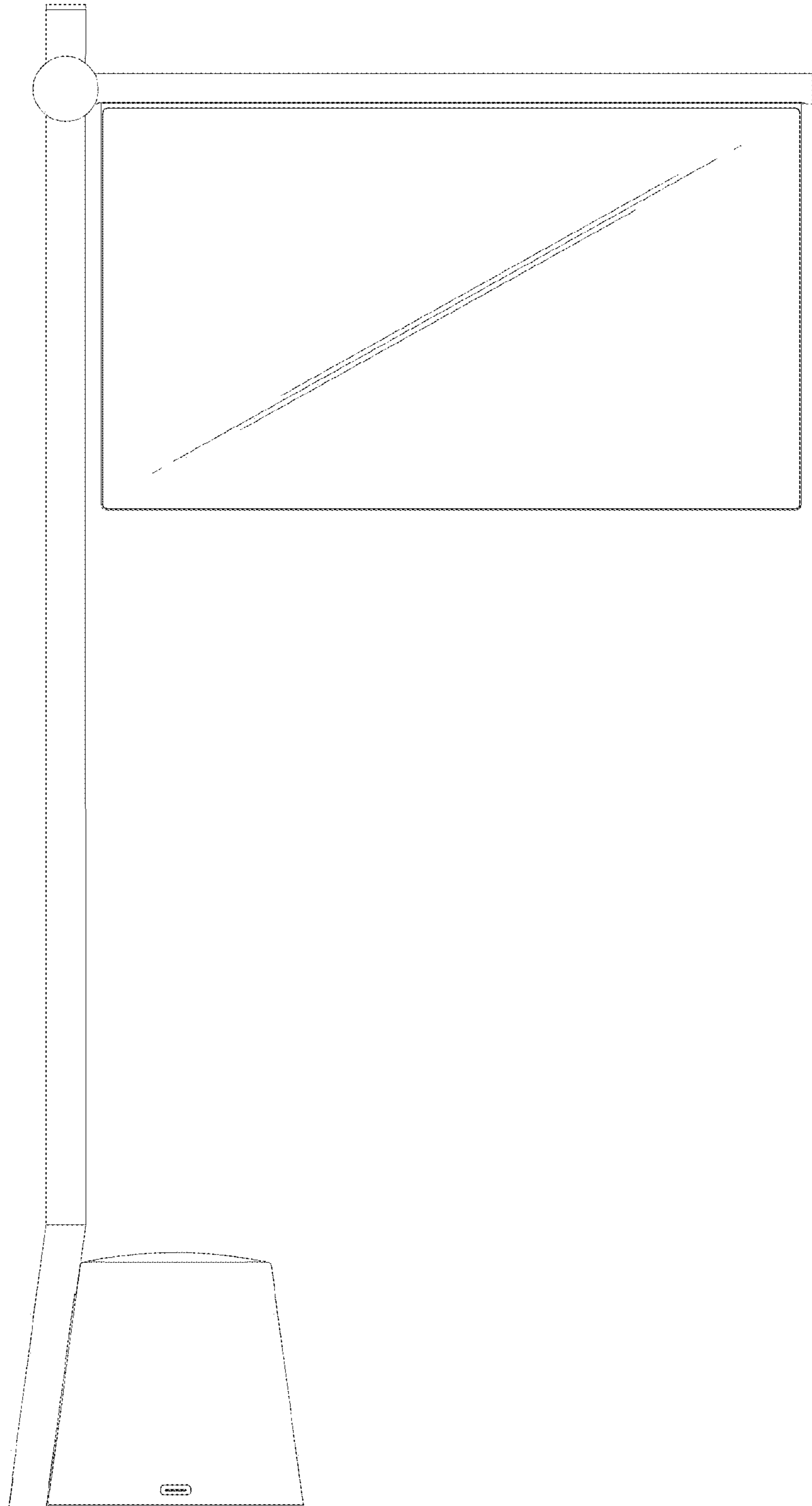


FIG. 3

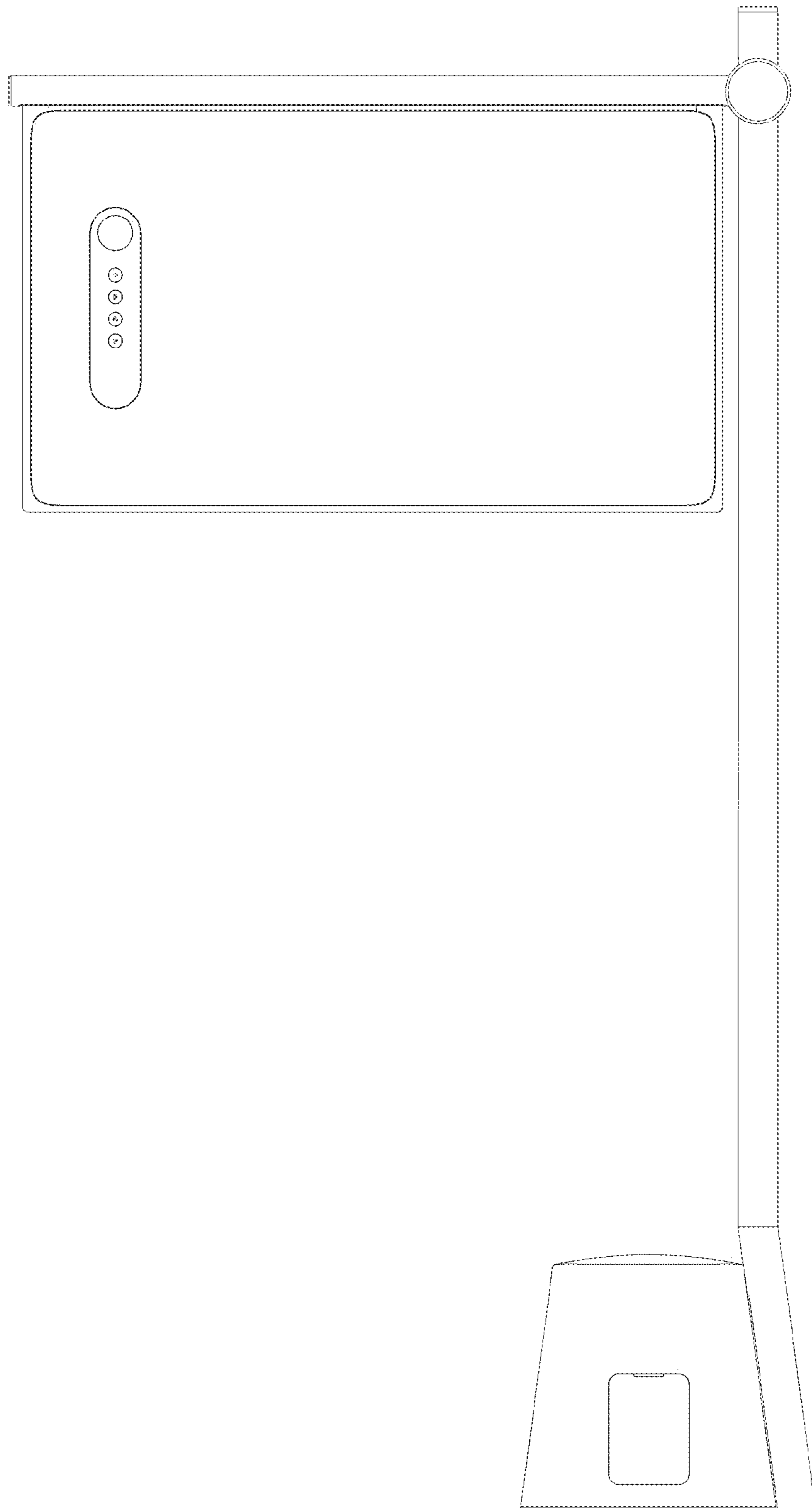


FIG. 4

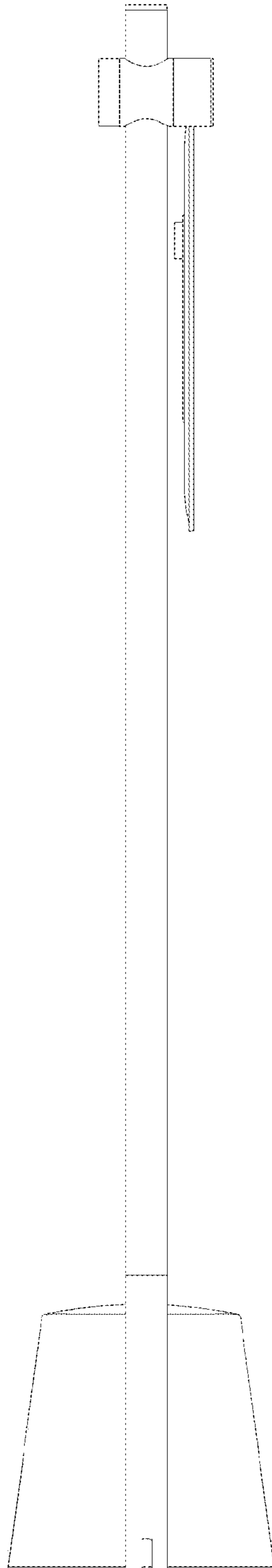


FIG. 5

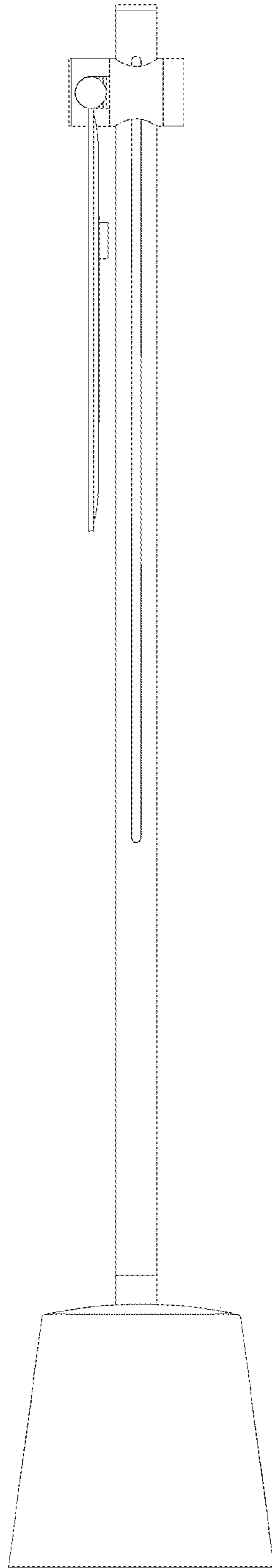


FIG. 6

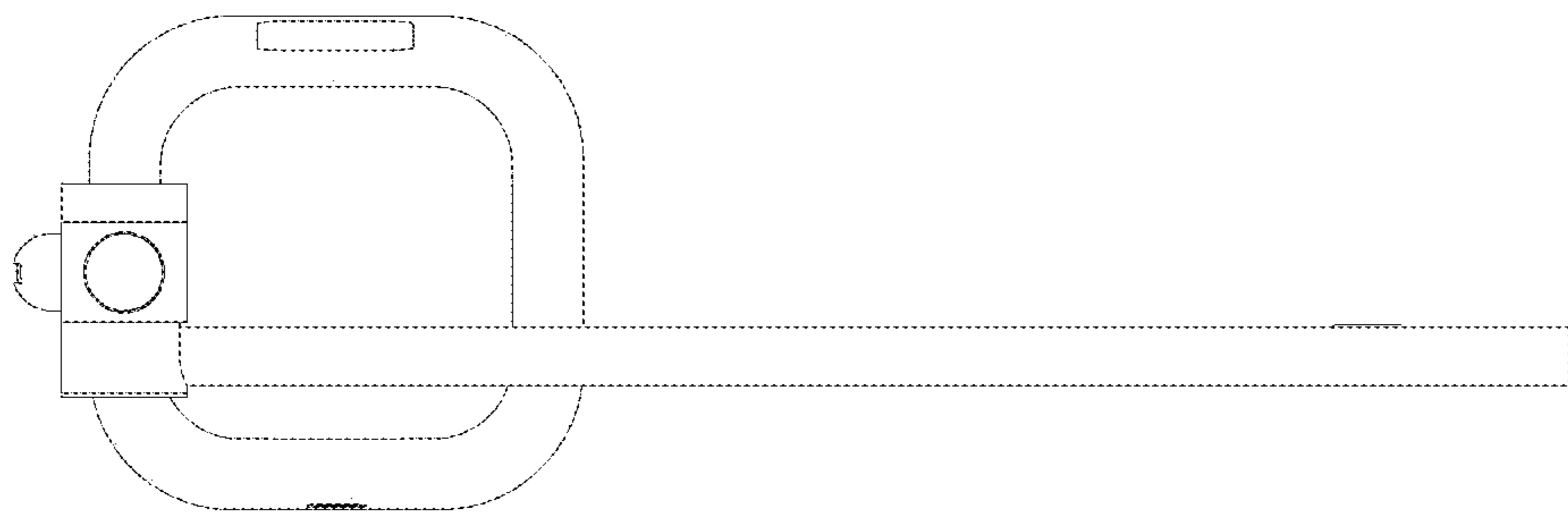


FIG. 7

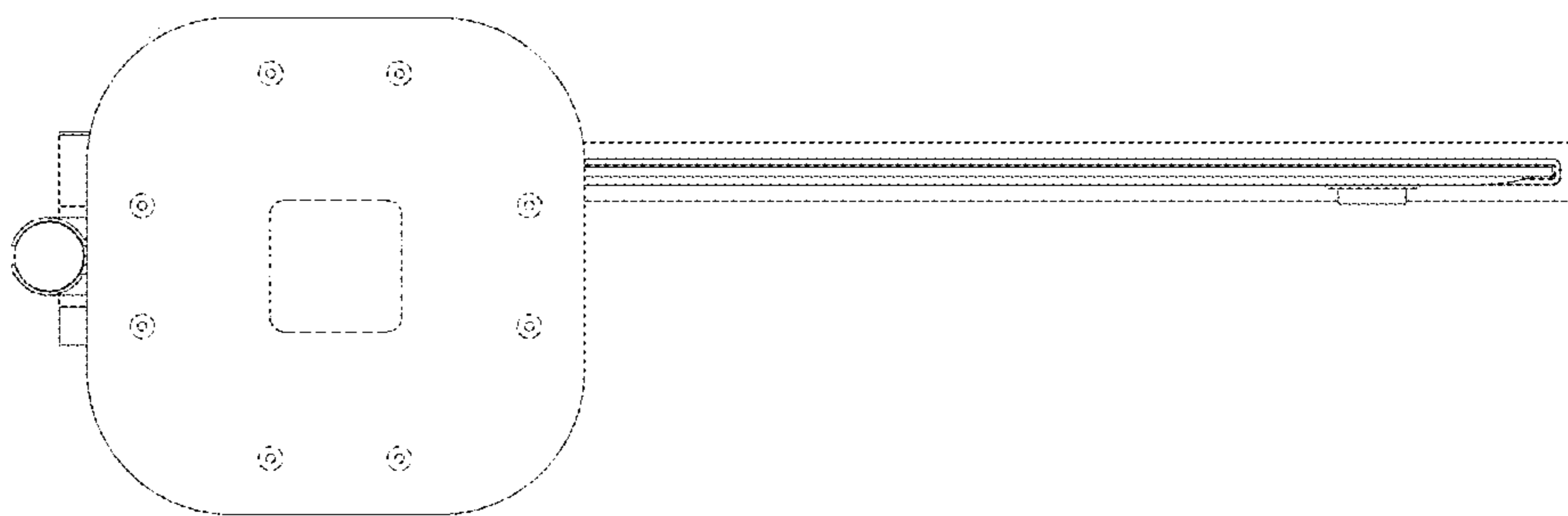


FIG. 8

