



US00D989726S

(12) **United States Design Patent** (10) **Patent No.:** **US D989,726 S**
Yoo et al. (45) **Date of Patent:** **** Jun. 20, 2023**

(54) **TELEVISION RECEIVER**

(71) Applicant: **Samsung Electronics Co., Ltd.**,
Suwon-si (KR)
(72) Inventors: **Jae-Wook Yoo**, Suwon-si (KR); **Sin-Wi Moon**,
Suwon-si (KR); **Dae-Hun Jung**, Suwon-si (KR); **Byung-Min Woo**,
Suwon-si (KR); **Dong-Wook Kim**, Suwon-si (KR); **Jee-Won Kim**,
Suwon-si (KR)
(73) Assignee: **Samsung Electronics Co., Ltd.**,
Suwon-si (KR)

(**) Term: **15 Years**

(21) Appl. No.: **29/786,047**

(22) Filed: **May 28, 2021**

(30) **Foreign Application Priority Data**

Dec. 3, 2020 (KR) 30-2020-0059426

(51) **LOC (14) Cl.** **14-03**

(52) **U.S. Cl.**
USPC **D14/126**

(58) **Field of Classification Search**
USPC D14/125–135, 239, 371, 136, 374–377,
D14/440, 450, 448, 336, 342, 159, 251,
(Continued)

(56) **References Cited**

U.S. PATENT DOCUMENTS

D701,855 S * 4/2014 Kumano D14/239
D726,135 S * 4/2015 Takechi D14/126
(Continued)

FOREIGN PATENT DOCUMENTS

CN 201730254825.0 1/2018
CN 201930038495.0 8/2019
(Continued)

OTHER PUBLICATIONS

The Frame QLED, first available May 9, 2021 [online], [retrieved Sep. 1, 2022]. Available from the Internet, URL:<https://a.co/d/cqplDC3>. (Year: 2021).*

Primary Examiner — Dana K Weiland
Assistant Examiner — Russell Carnell Smith, Jr.
(74) *Attorney, Agent, or Firm* — NSIP Law

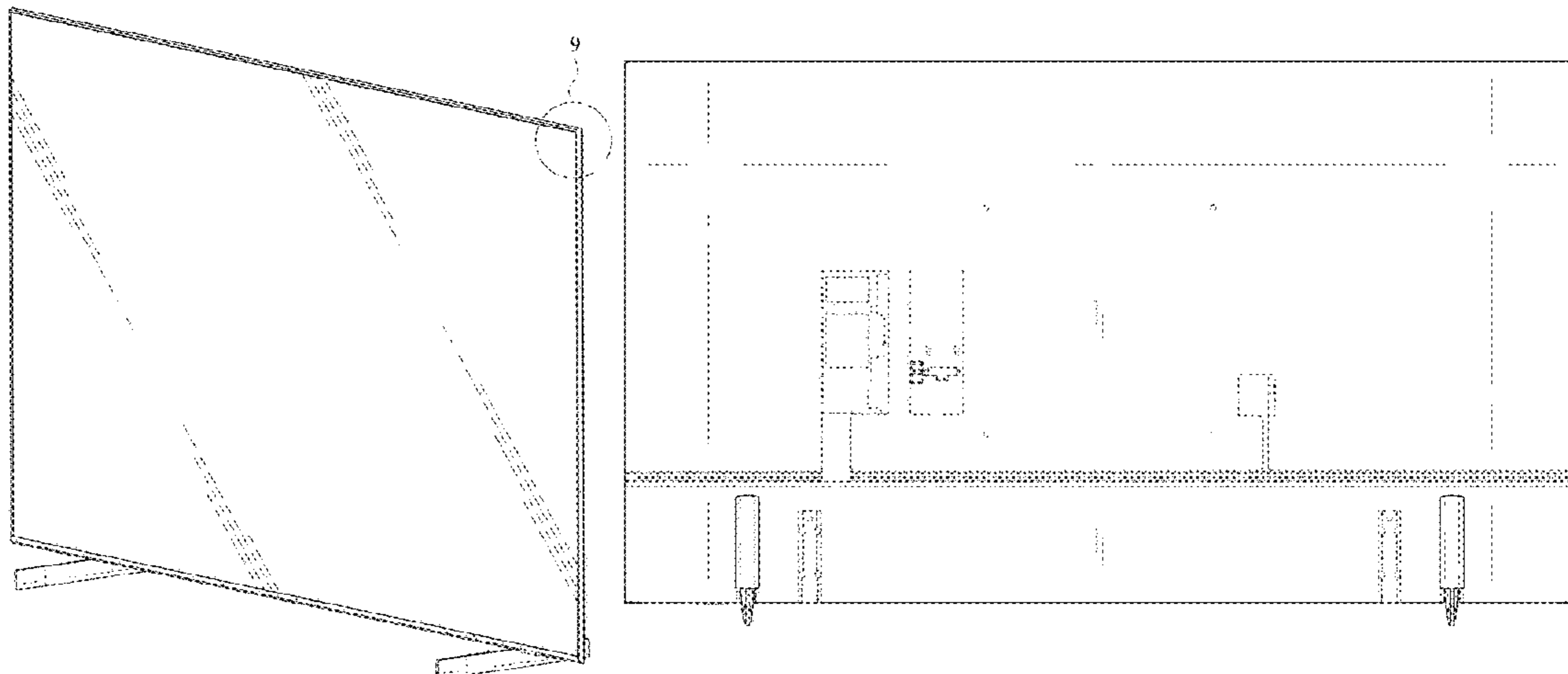
(57) **CLAIM**

We claim the ornamental design for a television receiver, as shown and described.

DESCRIPTION

FIG. 1 is a front perspective view of a television receiver showing our new design;
FIG. 2 is a front view thereof;
FIG. 3 is a rear view thereof;
FIG. 4 is a left-side view thereof;
FIG. 5 is a right-side view thereof;
FIG. 6 is a top view thereof;
FIG. 7 is a bottom view thereof; and,
FIG. 8 is a rear perspective view thereof;
FIG. 9 is an enlarged view of the encircled portion 9 in FIG. 1;
FIG. 10 is an enlarged view of the encircled portion 10 in FIG. 2;
FIG. 11 is an enlarged view of the encircled portion 11 in FIG. 4;
FIG. 12 is an enlarged view of the encircled portion 12 in FIG. 4;
FIG. 13 is an enlarged view of the encircled portion 13 in FIG. 6;
FIG. 14 is an enlarged view of the encircled portion 14 in FIG. 7;
FIG. 15 is another front view showing a state in which the television receiver is raised; and,
FIG. 16 is another front view showing a state in which the legs of the television receiver are more narrowly apart.
The evenly dashed broken lines in the figures depict portions of the television receiver and form no part of the claimed

(Continued)



design. The dot-dash broken lines encircling portions of the claimed design that are illustrated in enlargements form no part of the claimed design.

1 Claim, 16 Drawing Sheets

(58) **Field of Classification Search**

USPC D14/209.1, 238, 451; D6/328, 332;
D19/113, 114

CPC H04N 7/00; H04N 9/3141; H04N 13/0459;
H04N 17/04; H04N 17/004; H04N
21/43637; G06F 1/1601; G06F 1/1605;
G06F 1/162

See application file for complete search history.

(56)

References Cited

U.S. PATENT DOCUMENTS

D795,851	S	*	8/2017	Kim	D14/126
D817,902	S	*	5/2018	Lee	D14/126
D827,601	S	*	9/2018	Kim	D14/126
D841,609	S	*	2/2019	Kim	D14/126
D865,730	S	*	11/2019	Seong	D14/126
D886,111	S	*	6/2020	Kim	D14/451
D894,856	S	*	9/2020	Kim	D14/125
D958,124	S	*	7/2022	Choi	D14/126

FOREIGN PATENT DOCUMENTS

GB	8201596000-5000	*	2/2019
GB	8201596000-6000	*	2/2019
GB	8209265000-2000	*	6/2020
KR	30-2010-0019694		6/2011
KR	30-2014-0063517		3/2016
KR	30-2018-0040327		3/2016
KR	301080637.0000	*	10/2020

* cited by examiner

FIG. 1

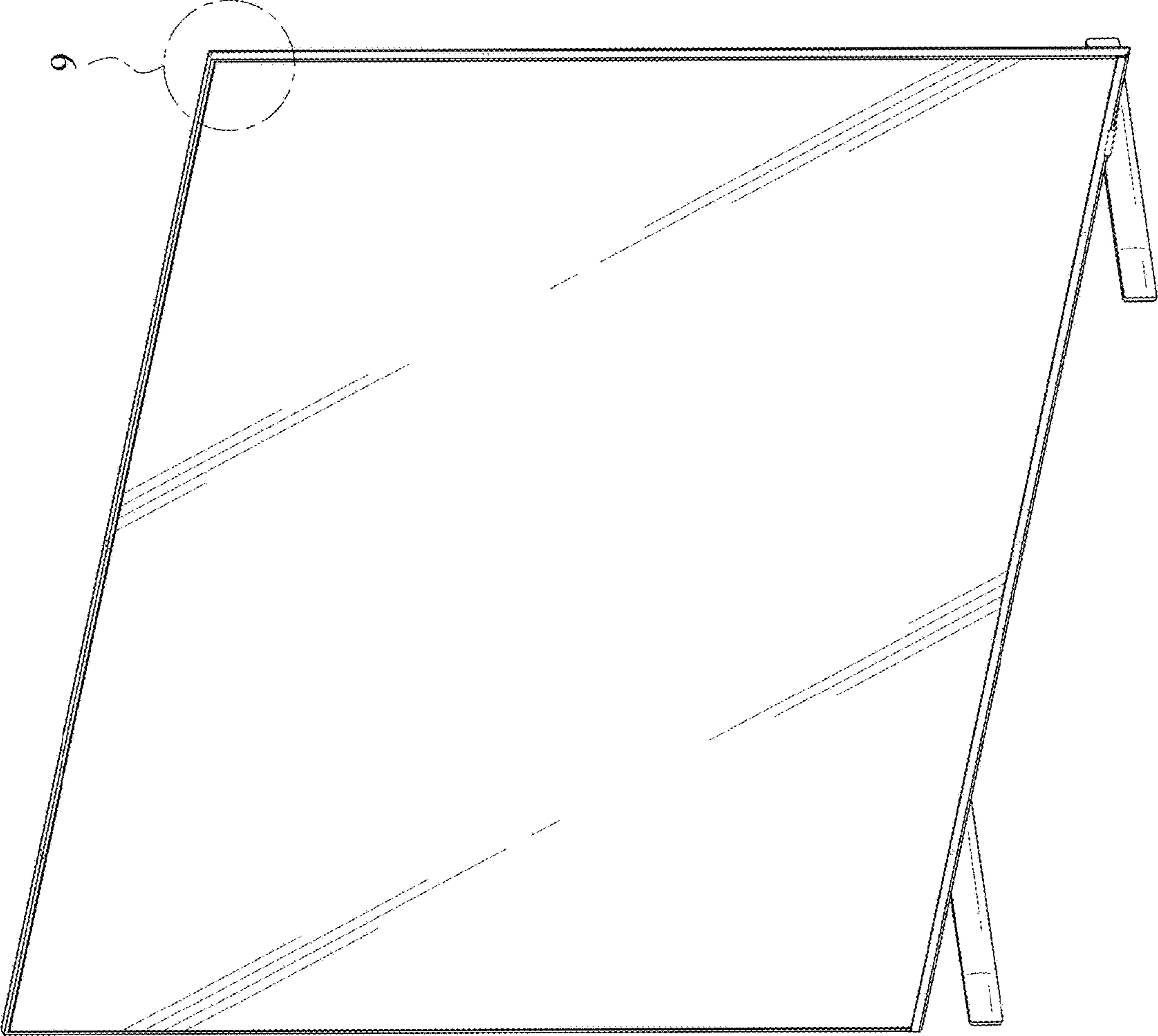


FIG. 2

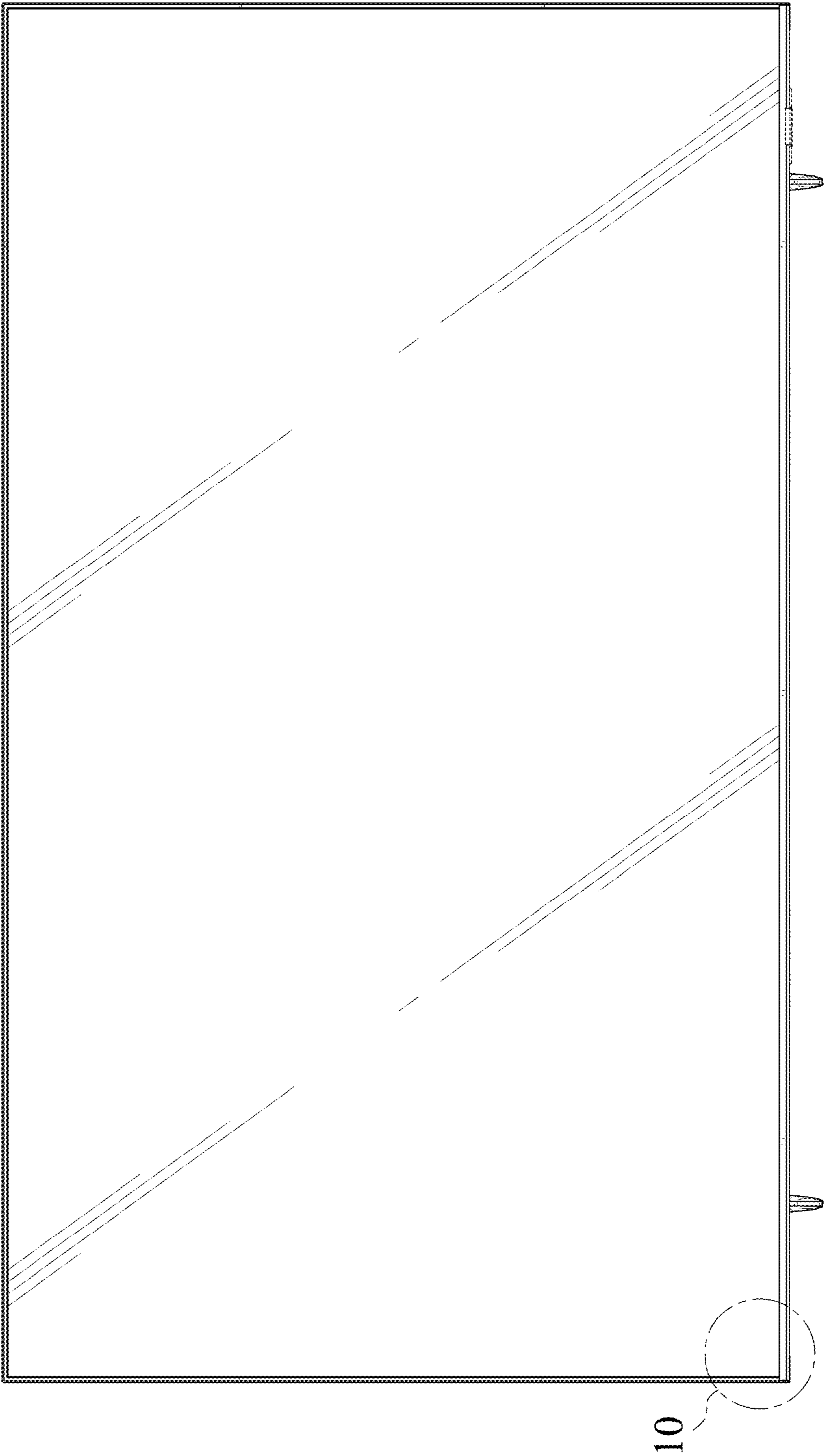


FIG. 3

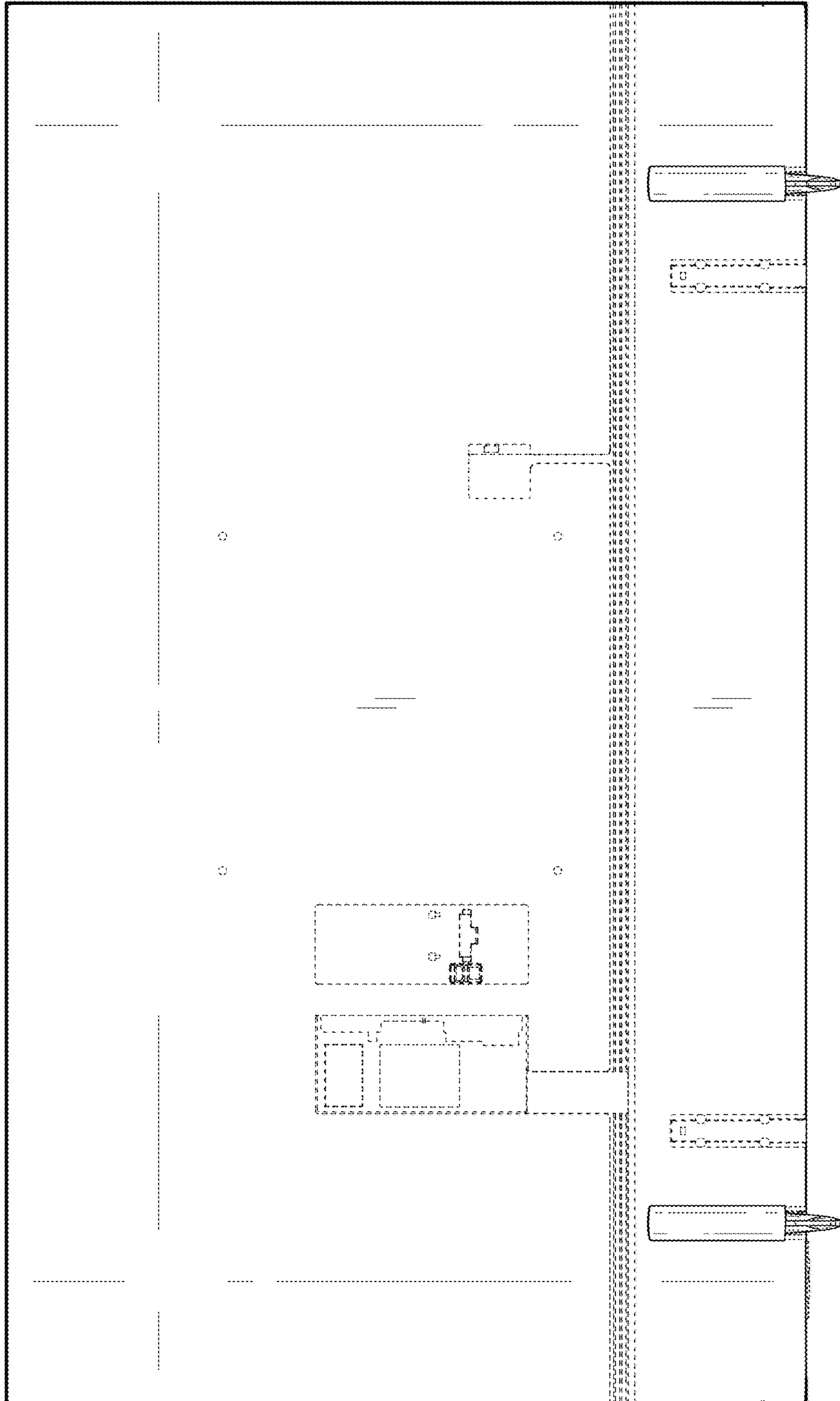


FIG. 4

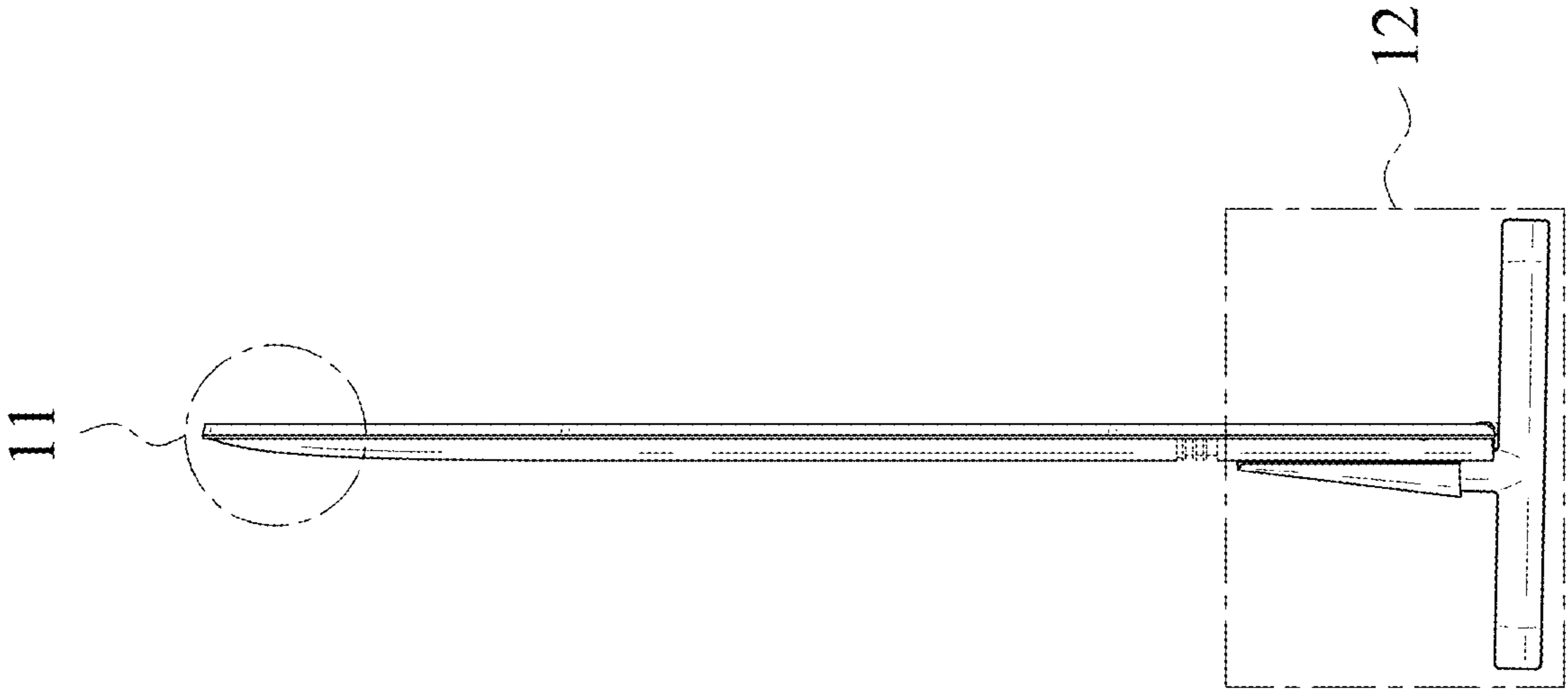


FIG. 5

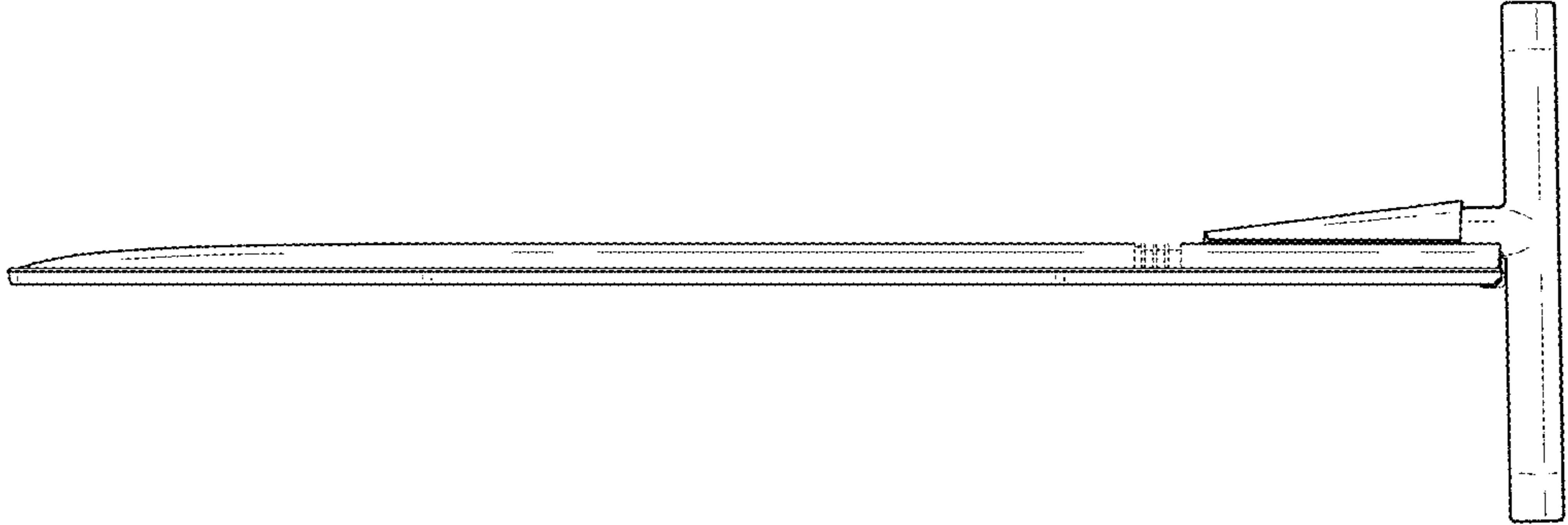


FIG. 6

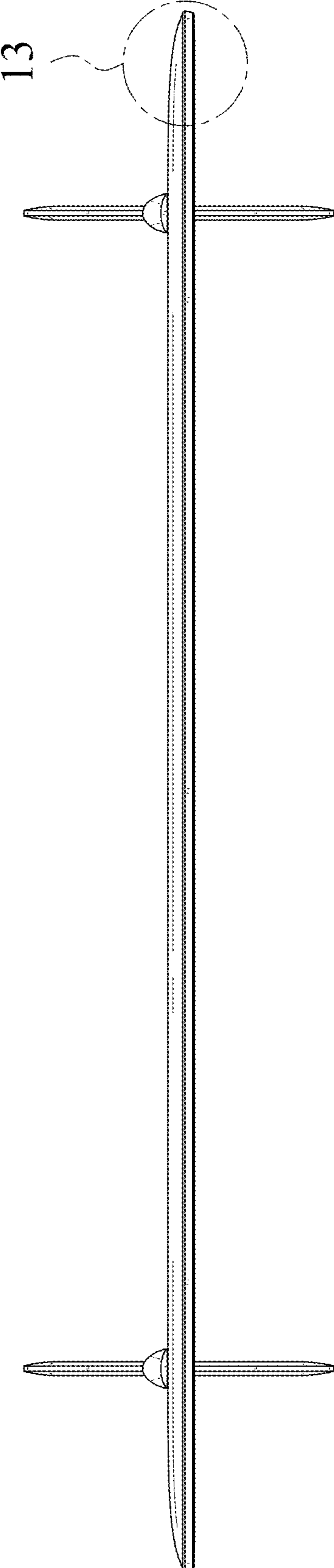


FIG. 7

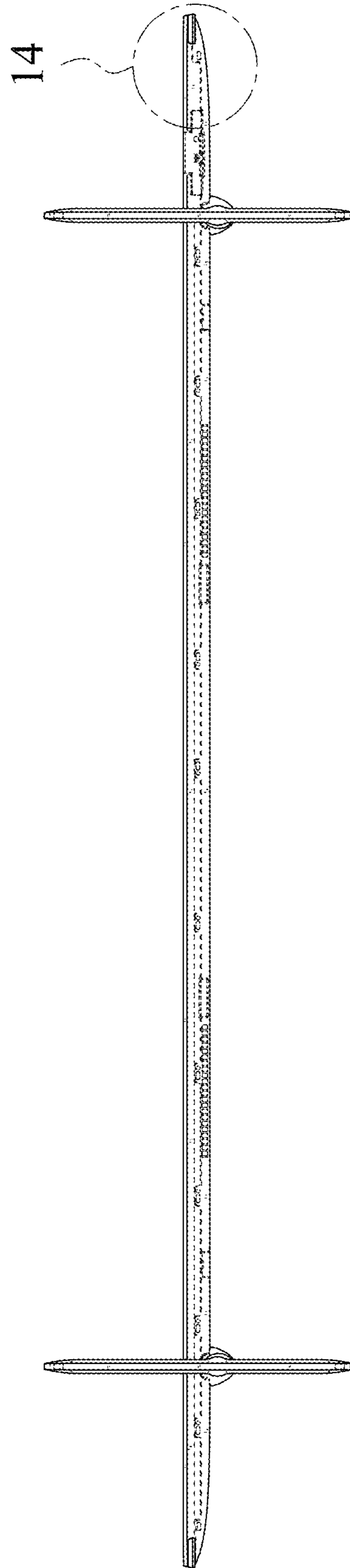


FIG. 8

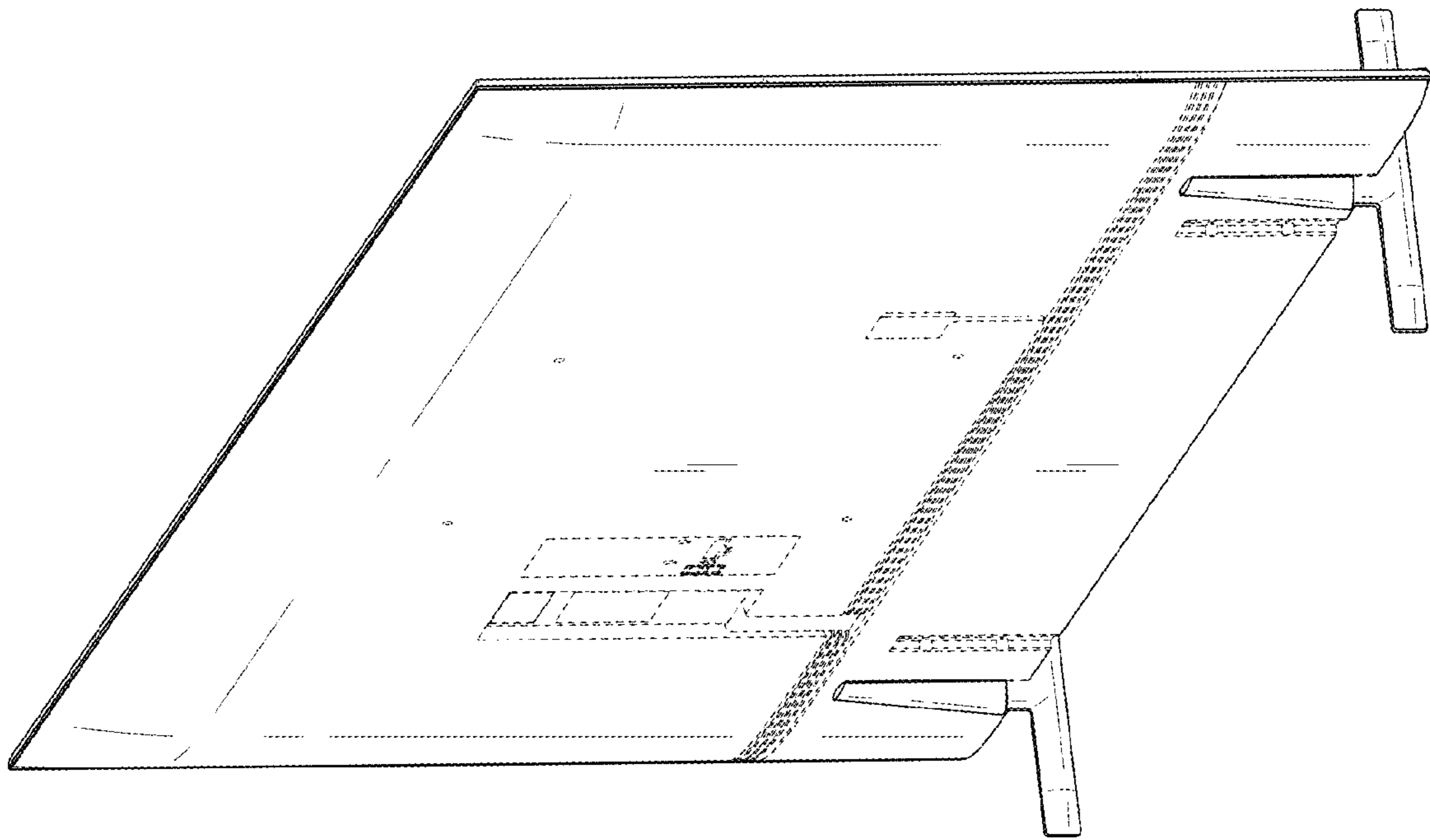


FIG. 9

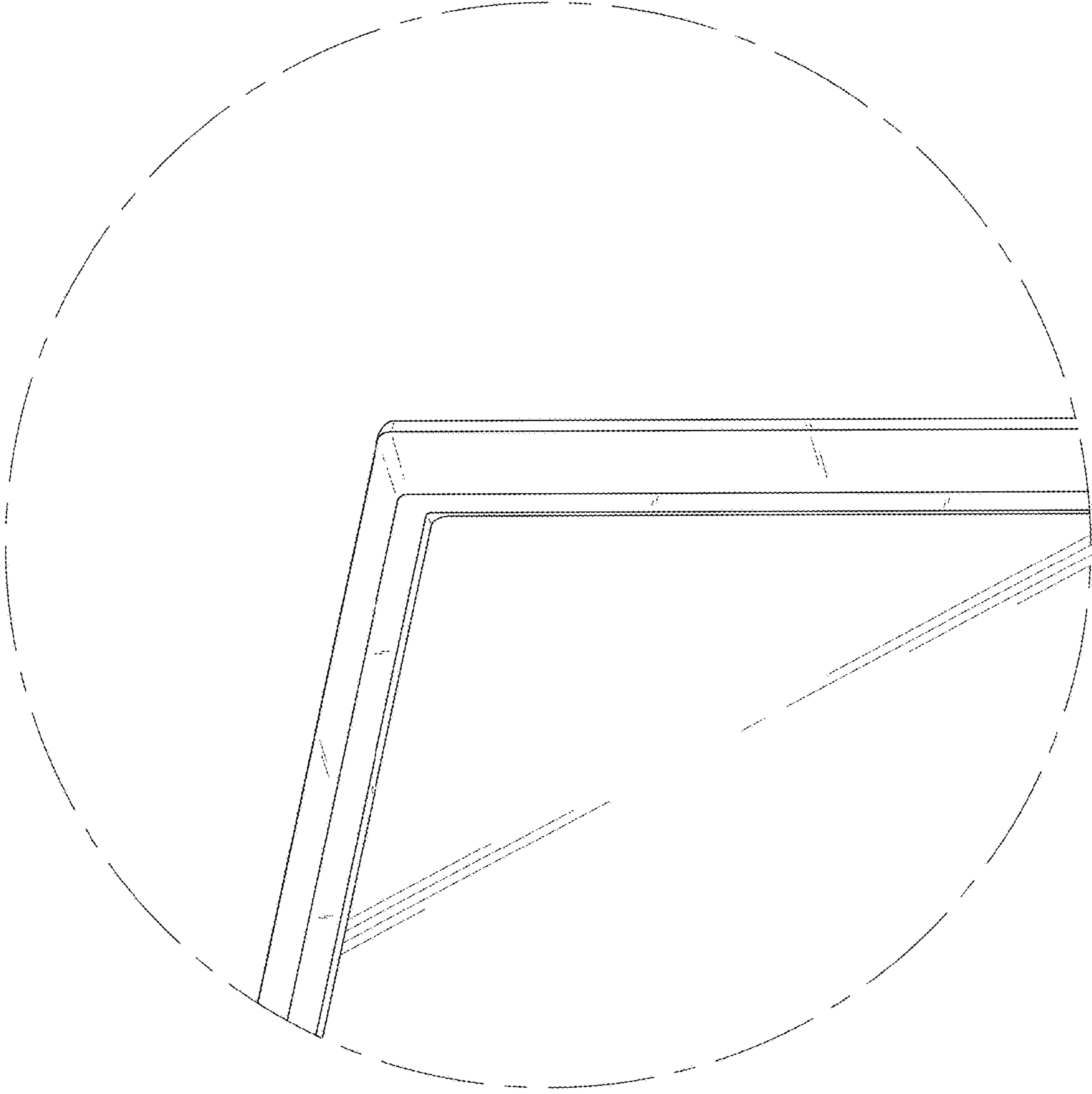


FIG. 10

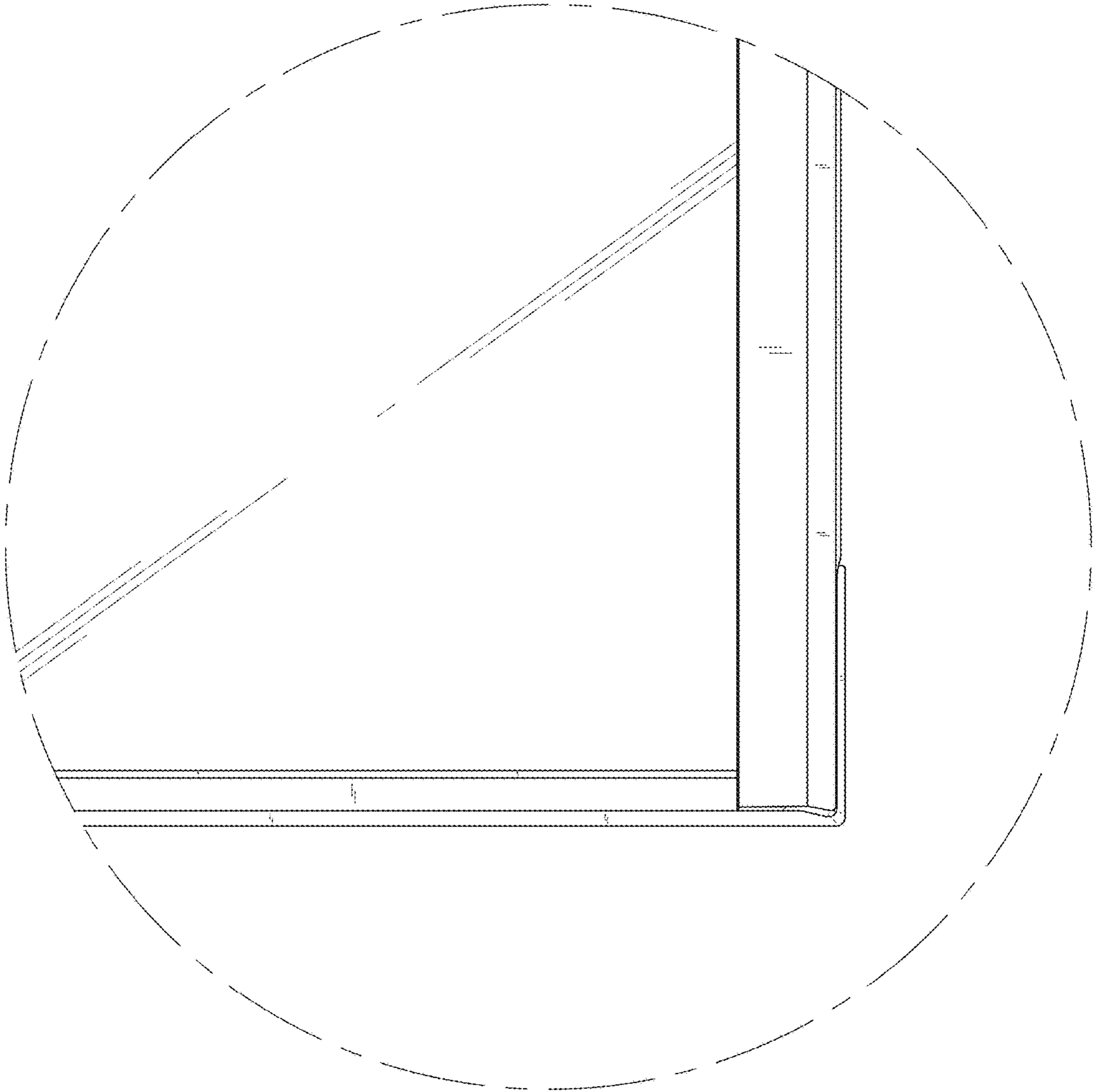


FIG. 11

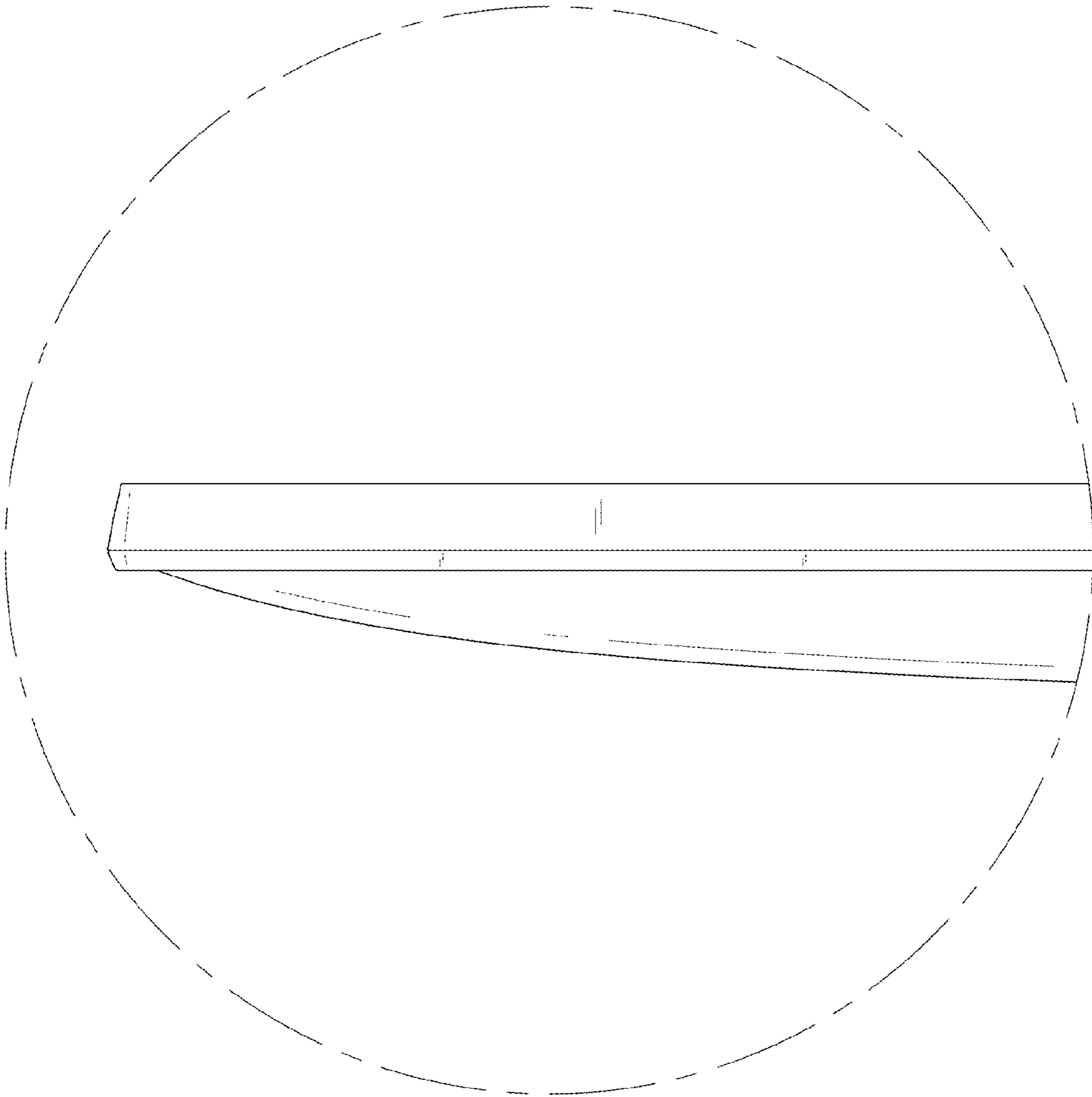


FIG. 12

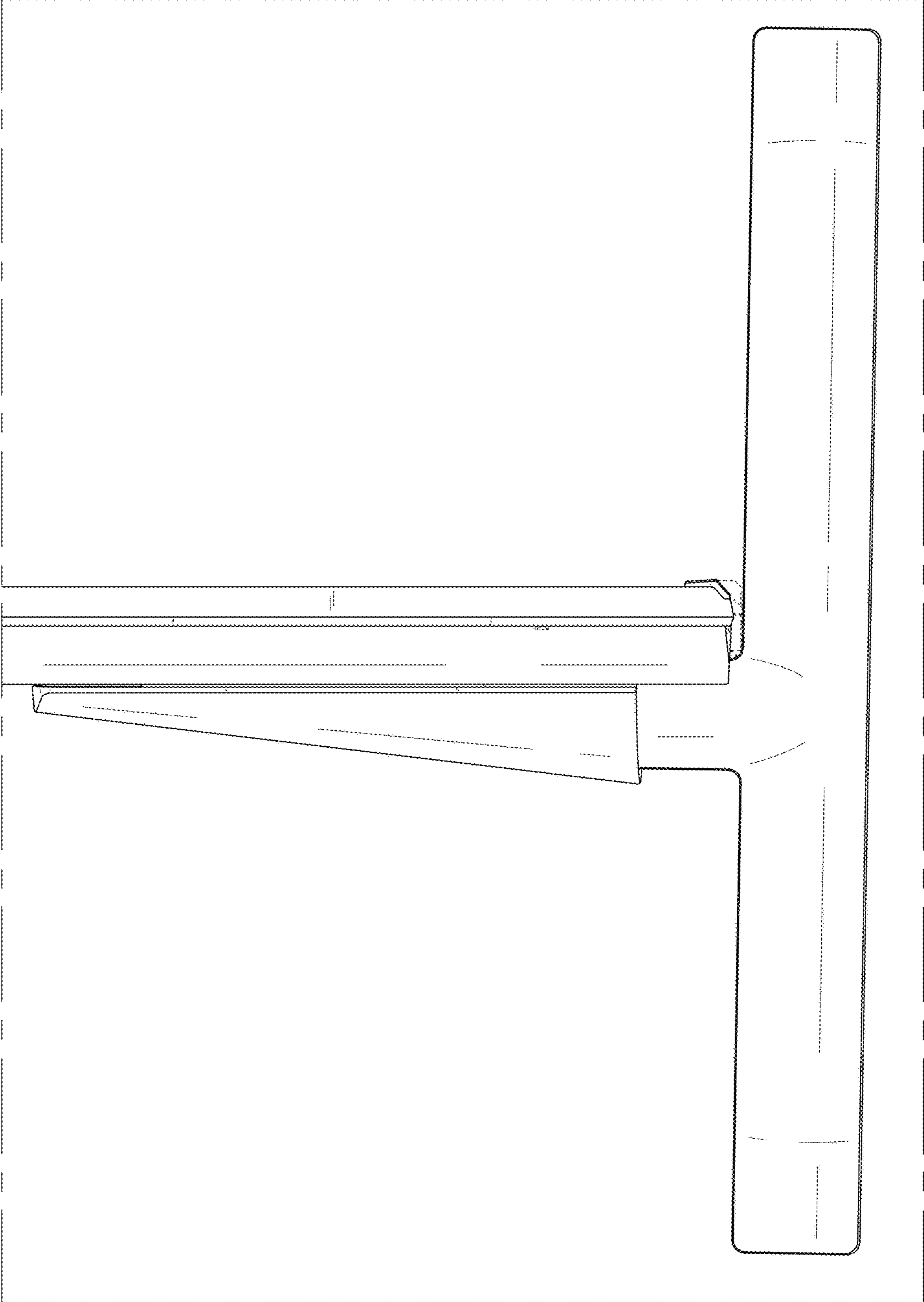


FIG. 13

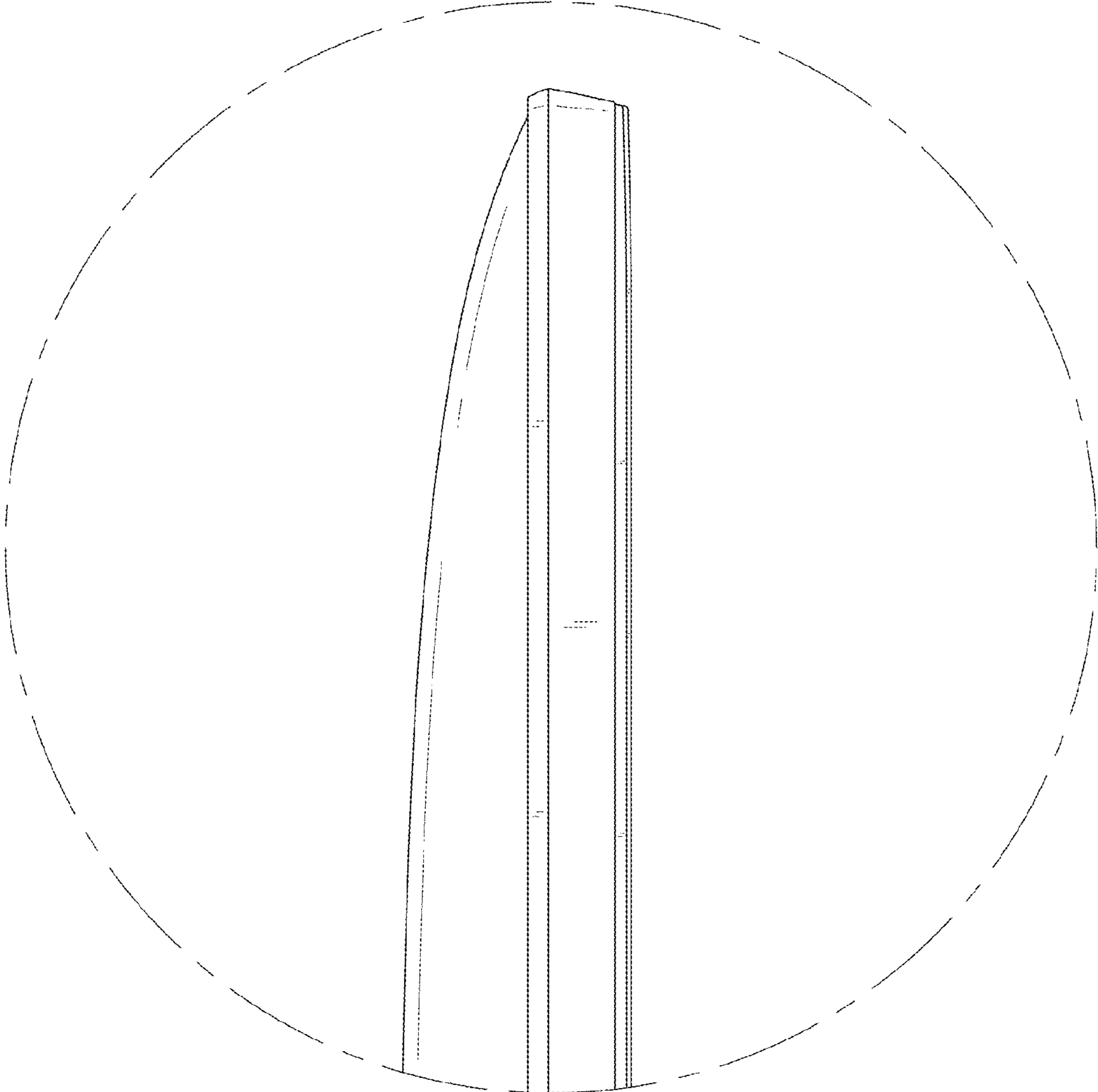


FIG. 14

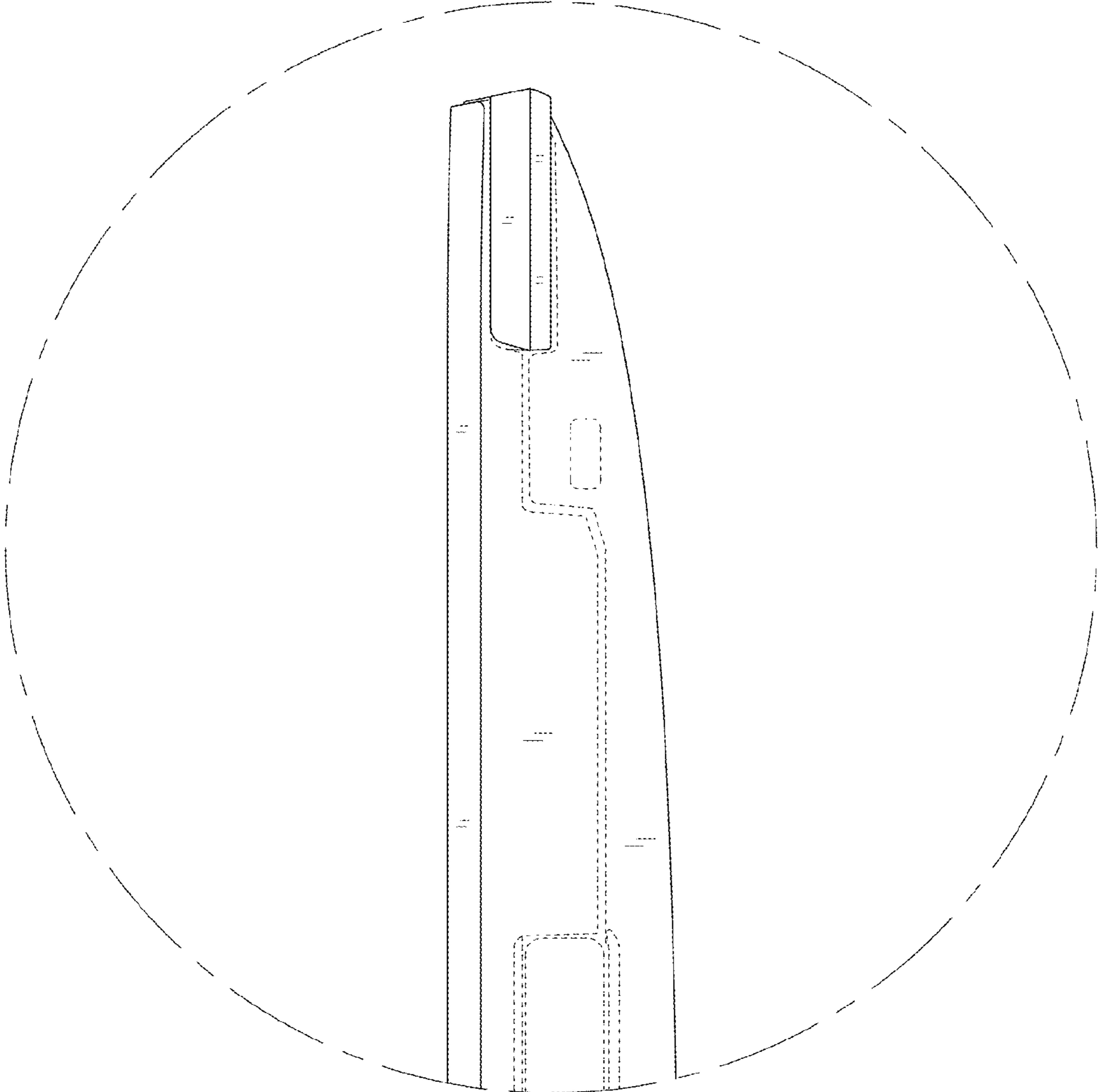


FIG. 15

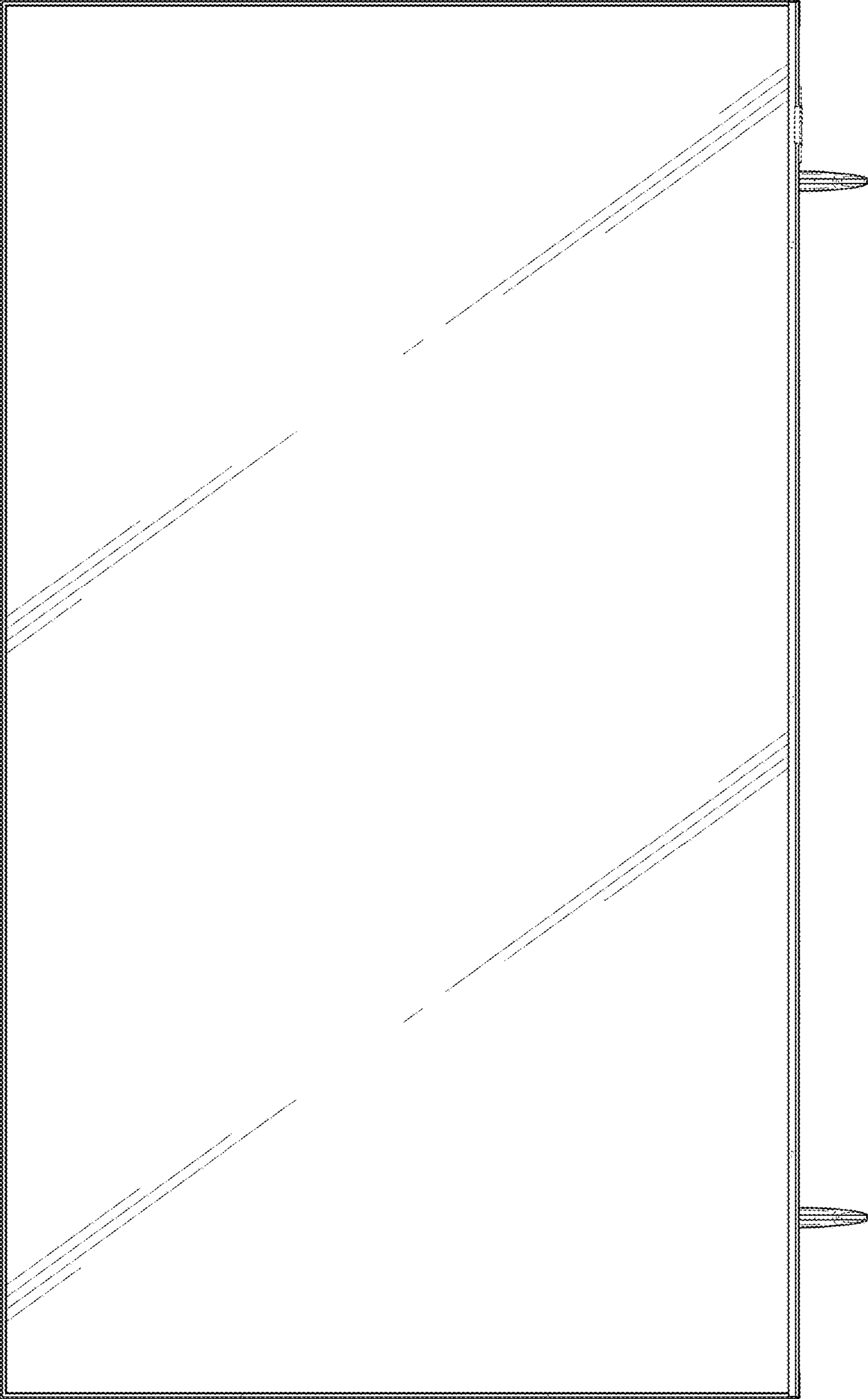


FIG. 16

