



US00D989723S

(12) **United States Design Patent** (10) **Patent No.:** **US D989,723 S**
Jung et al. (45) **Date of Patent:** **** Jun. 20, 2023**

(54) **TELEVISION RECEIVER**

FOREIGN PATENT DOCUMENTS

(71) Applicant: **LG ELECTRONICS INC.**, Seoul (KR)

CN 307326283 * 5/2022
IN 30216-0001 * 5/2022
KR 300909593.0000 * 6/2020

(72) Inventors: **Jaeneung Jung**, Seoul (KR); **Minjae Lee**, Seoul (KR); **Myungwhoon Lee**, Seoul (KR)

OTHER PUBLICATIONS

(73) Assignee: **LG ELECTRONICS INC.**, Seoul (KR)

GE Home Electrical Store, "Flat Panel Indoor HD Digital TV Antenna . . .", available at amazon.com, date first available Jul. 11, 2016, site visited Jan. 23, 2023, available at URL: <https://a.co/d/bC3aYzk> (Year: 2016).*

(**) Term: **15 Years**

(Continued)

(21) Appl. No.: **29/781,583**

Primary Examiner — Daniel J Domino

(22) Filed: **Apr. 30, 2021**

Assistant Examiner — Samina Vieth

(30) **Foreign Application Priority Data**

(74) *Attorney, Agent, or Firm* — Birch, Stewart, Kolasch & Birch, LLP

Nov. 3, 2020 (KR) 30-2020-0052730

(51) **LOC (14) Cl.** **14-03**

(52) **U.S. Cl.**
USPC **D14/126**

(58) **Field of Classification Search**
USPC D14/32, 377, 126, 230, 218, 125;
D25/41.1, 43, 119; D23/227, 219, 136,
D23/266, 267
CPC G06F 1/1601; G06F 1/1643; H05K 5/004;
H05K 5/0017; H05K 5/02; H05K 5/0217;
G09F 7/00; G09F 7/02; G09F 13/04;
G09F 13/02
See application file for complete search history.

(57) **CLAIM**

The ornamental design for a television receiver, as shown and described.

DESCRIPTION

(56) **References Cited**

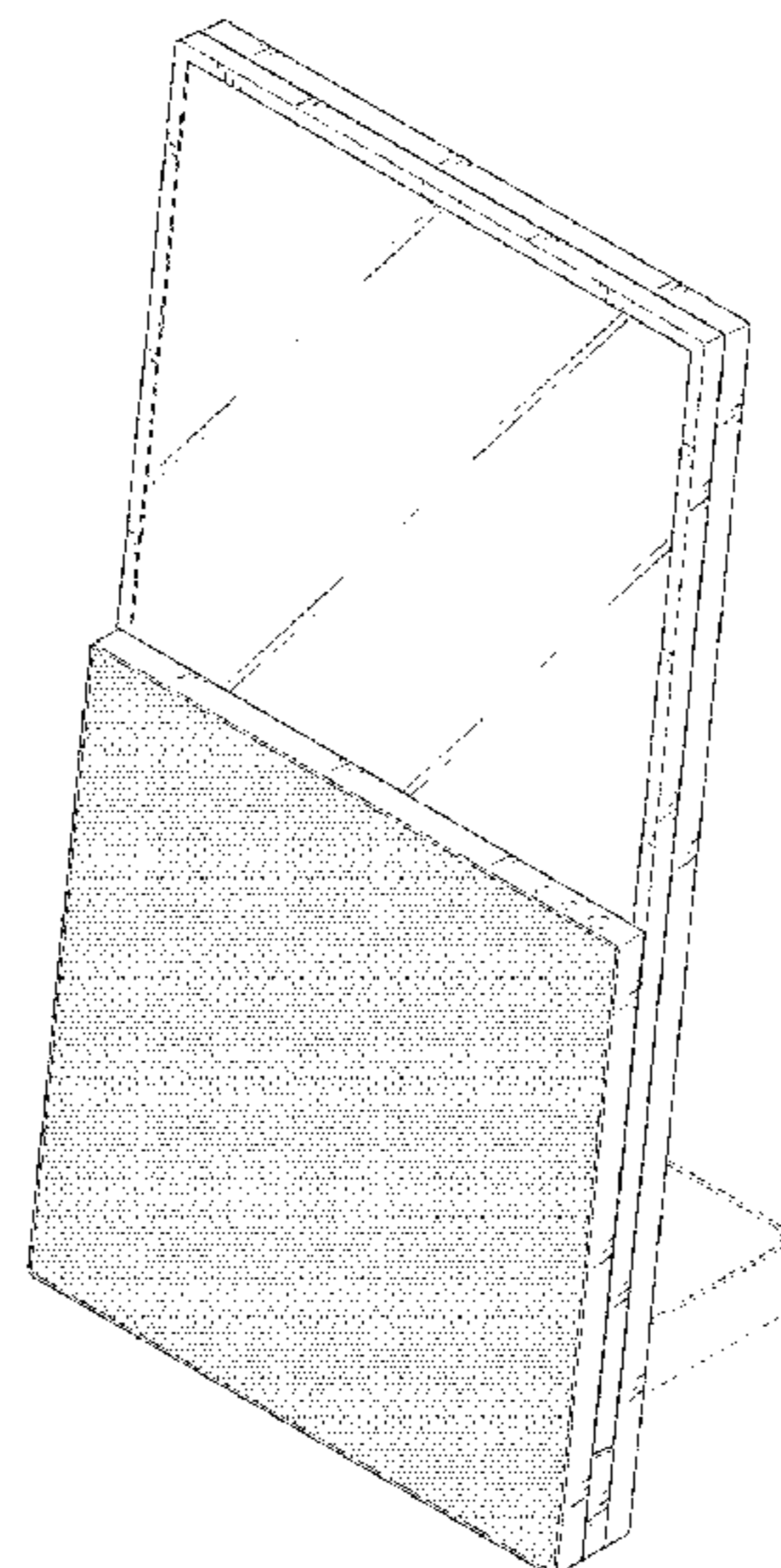
U.S. PATENT DOCUMENTS

D550,635 S * 9/2007 DeMaio D14/129
D732,489 S * 6/2015 Kumano D14/126
D776,074 S * 1/2017 Choo D14/138 G
9,652,773 B1 * 5/2017 Dublin, III G02F 1/1336

FIG. 1 is a front perspective view of the television receiver showing our new design;
FIG. 2 is a front view thereof;
FIG. 3 is a back view thereof;
FIG. 4 is a left side view thereof;
FIG. 5 is a right side view thereof;
FIG. 6 is a top plan view thereof;
FIG. 7 is a bottom plan view thereof;
FIG. 8 is a back perspective view thereof;
FIG. 9 is a reference view showing the state of use that the front display part of the claimed design has been raised; and,
FIG. 10 is a reference view showing the state of use that the front display part has been raised, and then rotated 90 degrees.

The broken lines depict portions of the television receiver that form no part of the claimed design.

1 Claim, 10 Drawing Sheets



(56)

References Cited

U.S. PATENT DOCUMENTS

D806,665 S * 1/2018 Lee D14/126
D868,014 S * 11/2019 Kim D14/126
D876,438 S * 2/2020 Lin D14/432
D921,757 S * 6/2021 Lee D20/39
D924,831 S * 7/2021 Lee D14/138 G
D930,559 S * 9/2021 Diboine D12/415
D960,119 S * 8/2022 Yang D14/126
2021/0209972 A1* 7/2021 Choi G06F 1/1652

OTHER PUBLICATIONS

HIDB Store, "TV Antenna for Smart TV . . . ", available at amazon.com, date first available May 7, 2020, site visited Jan. 23, 2023, available at URL: <https://a.co/d/5fLwtCn> (Year: 2020).*

* cited by examiner

FIG. 1

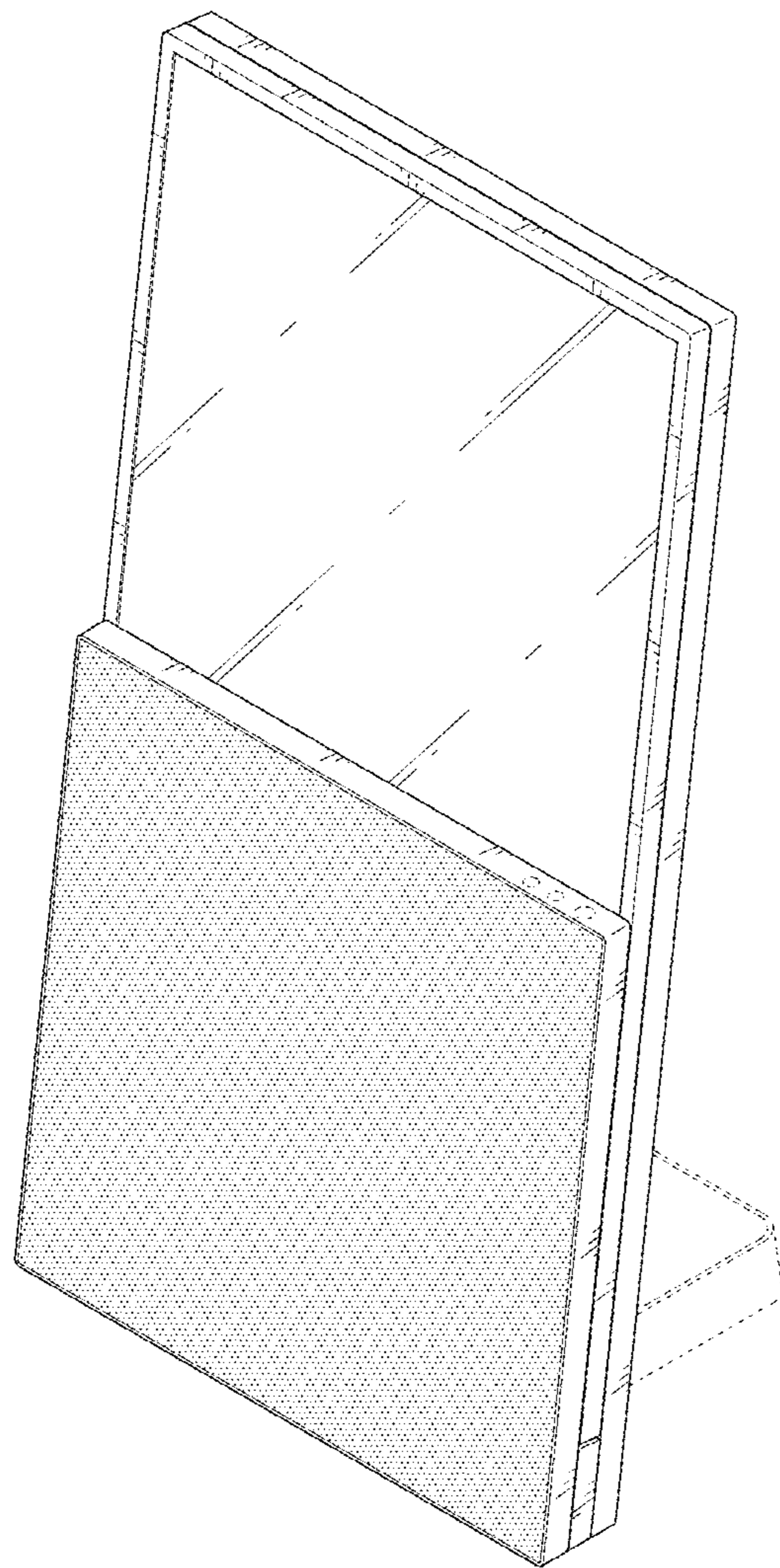


FIG. 2

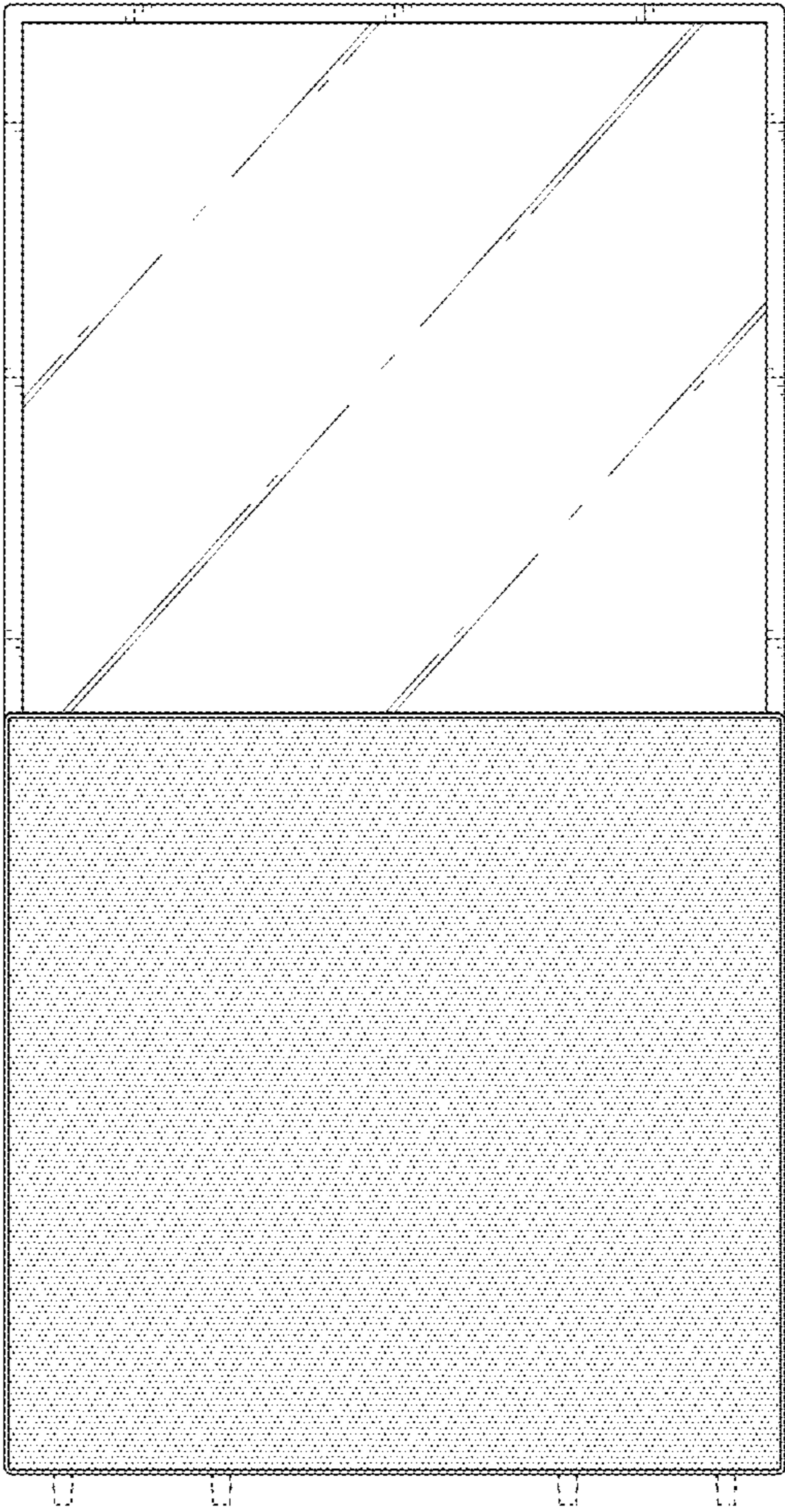


FIG. 3

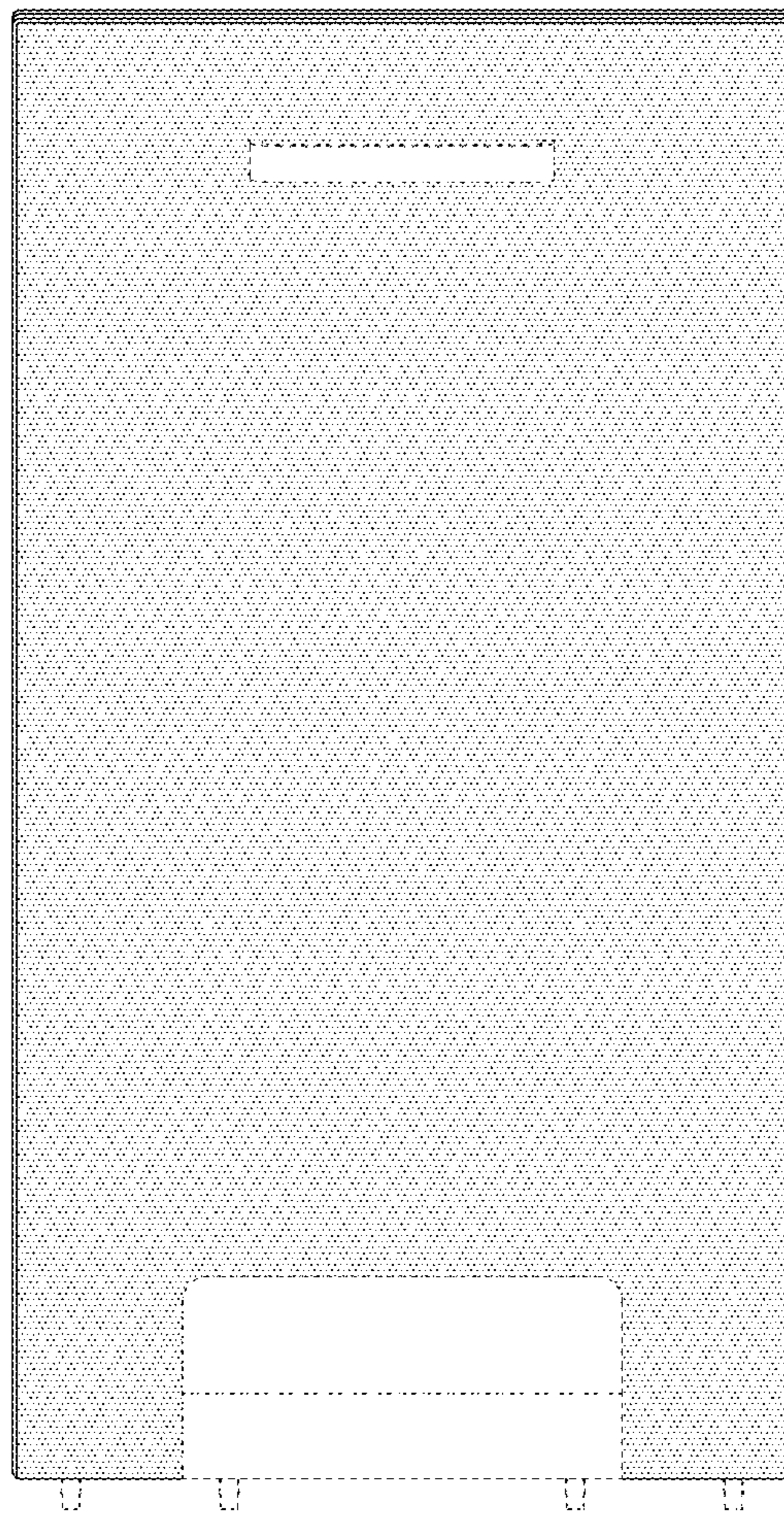


FIG. 4

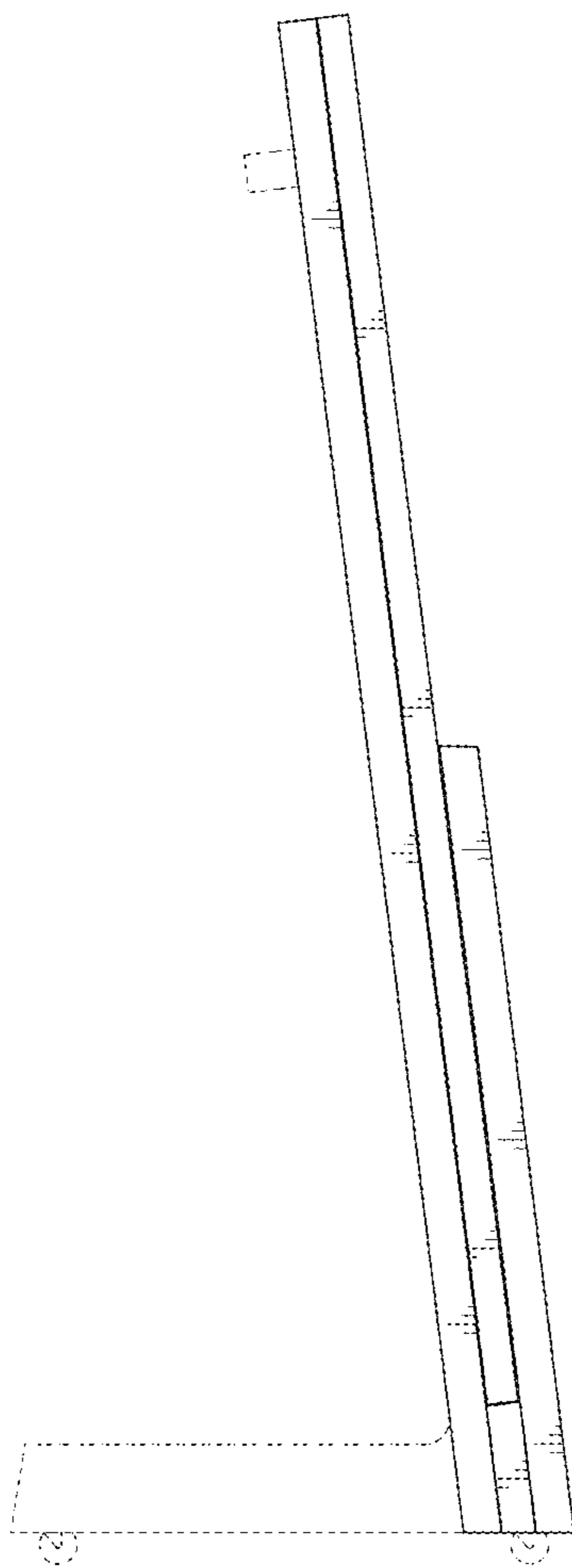


FIG. 5

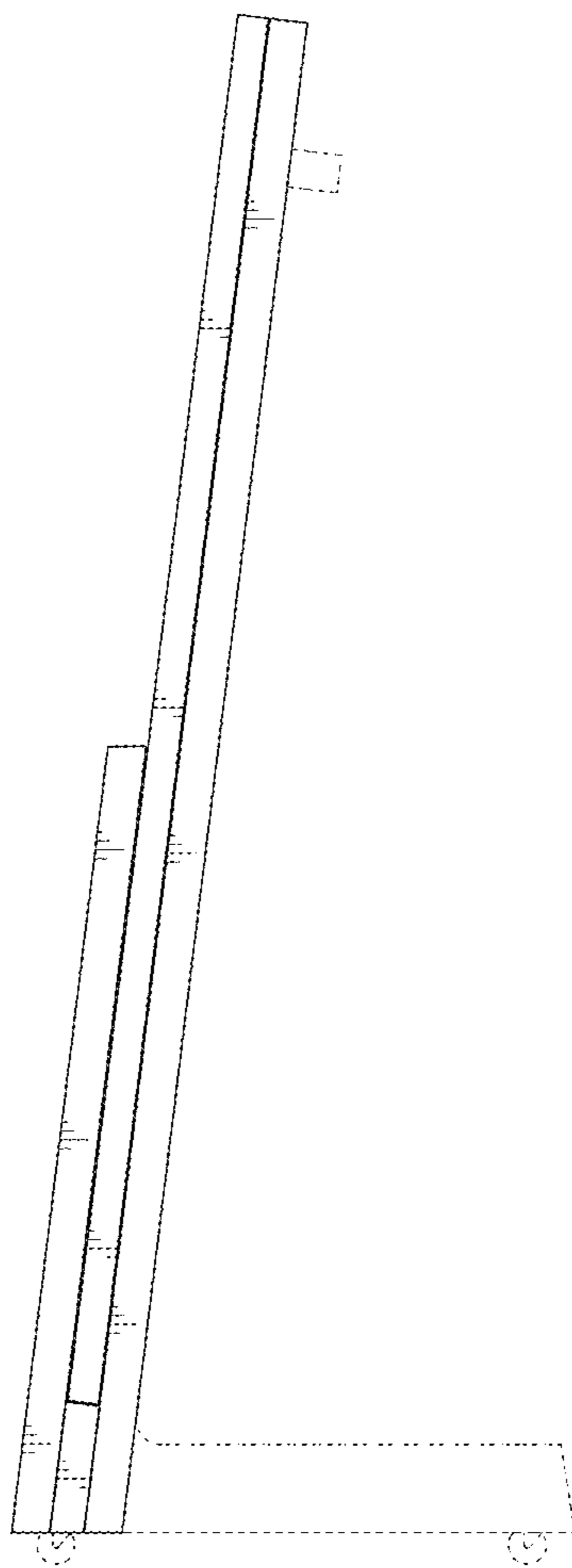


FIG. 6

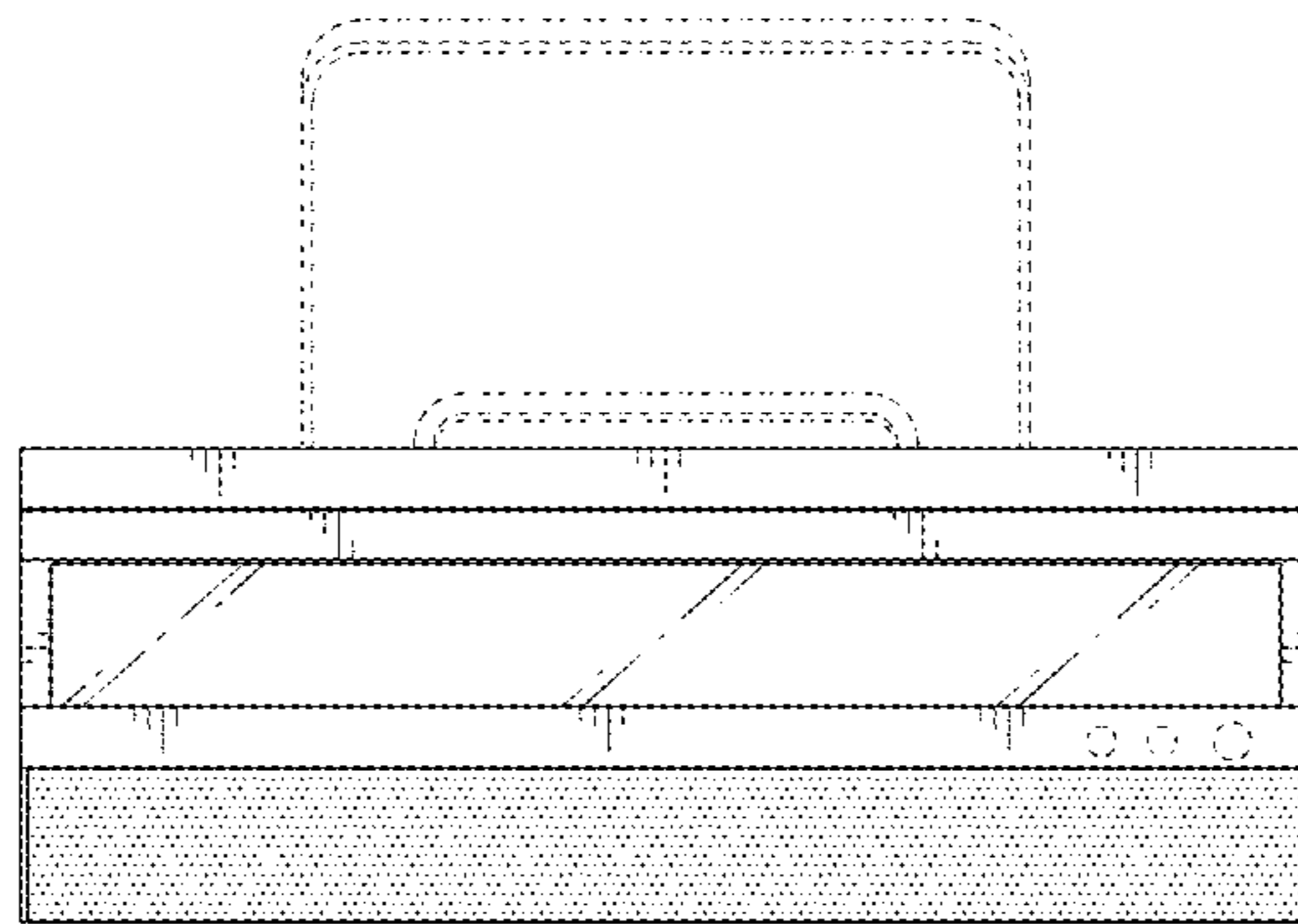


FIG. 7

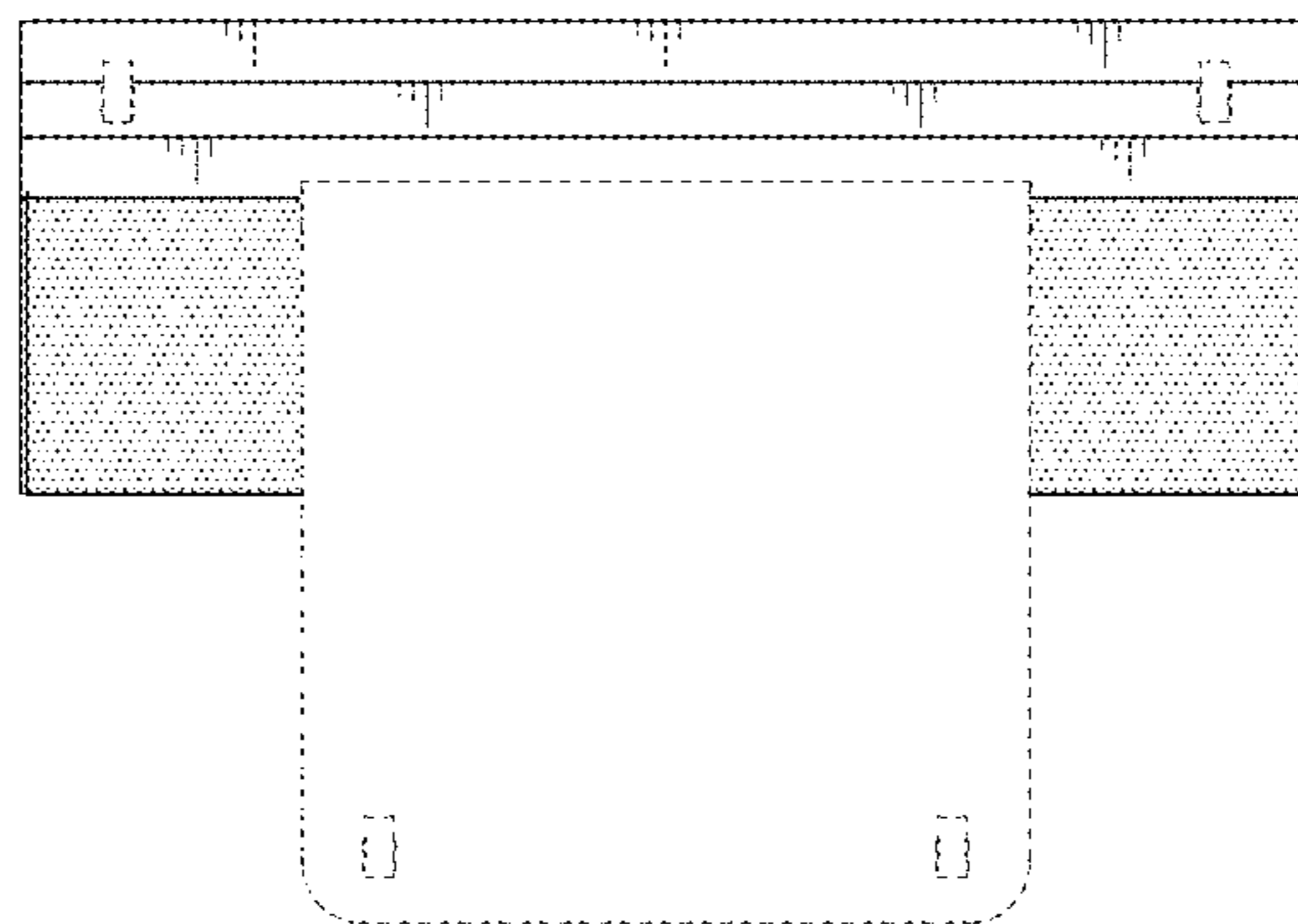


FIG. 8

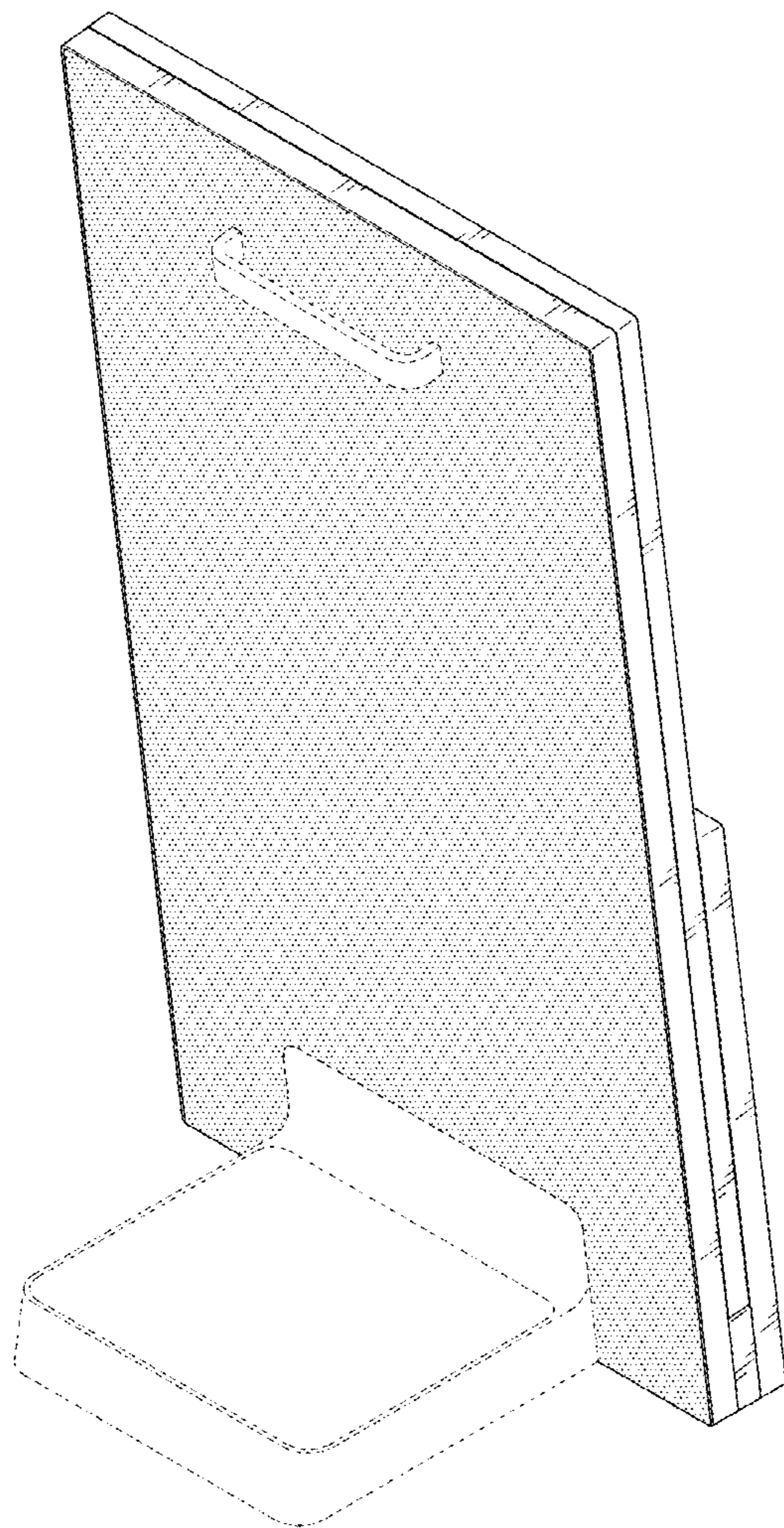


FIG. 9

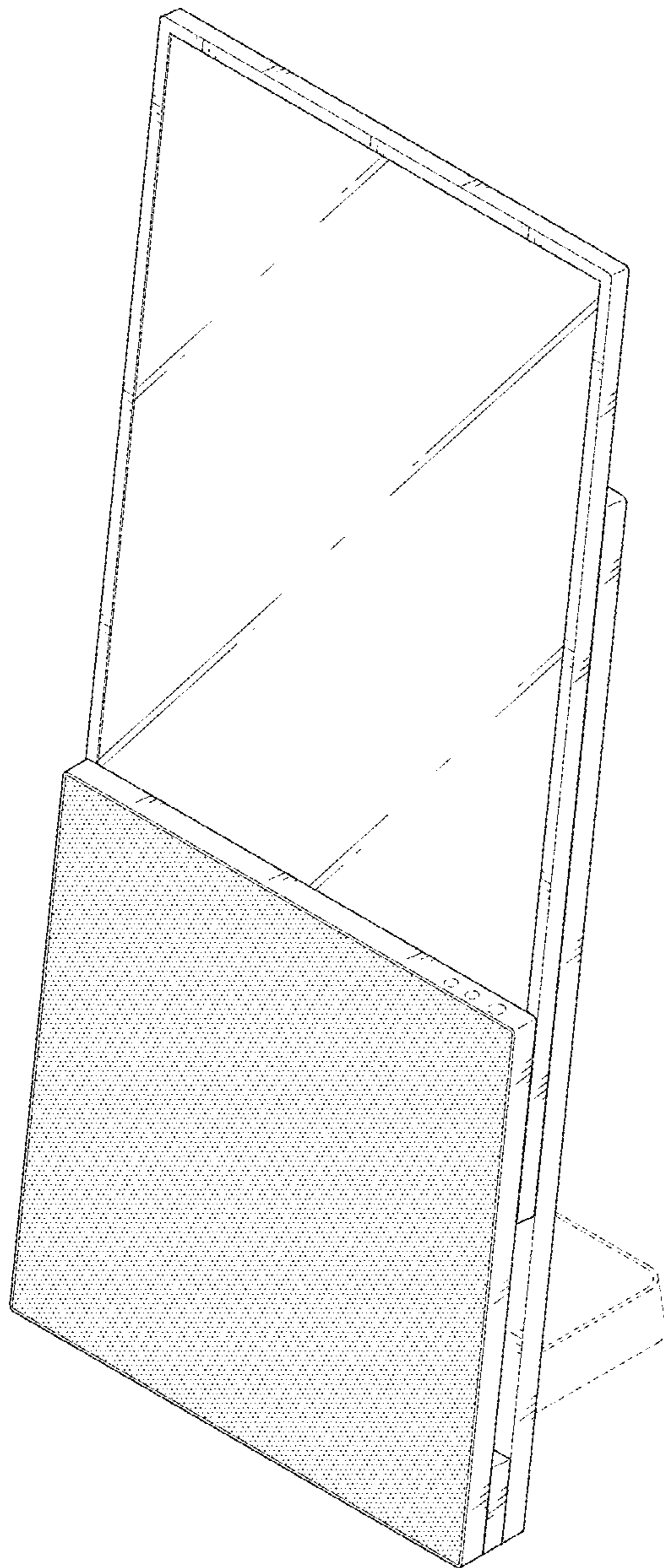


FIG. 10

