



US00D989721S

(12) **United States Design Patent**  
**Kim et al.**

(10) **Patent No.:** **US D989,721 S**  
(45) **Date of Patent:** **\*\* Jun. 20, 2023**

(54) **TELEVISION WITH ROLLABLE DISPLAY**

FOREIGN PATENT DOCUMENTS

(71) Applicant: **LG ELECTRONICS INC.**, Seoul (KR)

CN 306019169 \* 8/2020  
CN 306065598 \* 9/2020  
KR 301074381.0000 \* 9/2020

(72) Inventors: **Jongchul Kim**, Seoul (KR); **Seala Park**, Seoul (KR); **Seongahn Jeon**, Seoul (KR)

OTHER PUBLICATIONS

(73) Assignee: **LG ELECTRONICS INC.**, Seoul (KR)

Rollable Screens, Art Frames, and Easels, Jul. 1, 2020 [online], retrieved Jan. 24, 2023, retrieved from the internet URL: < <https://www.nytimes.com/wirecutter/blog/artistic-designer-tvs/> > (Year: 2020).\*

(\*\*) Term: **15 Years**

*Primary Examiner* — Janice Hallmark  
*Assistant Examiner* — Rodolfo Castro, Jr.

(21) Appl. No.: **29/766,221**

(74) *Attorney, Agent, or Firm* — Birch, Stewart, Kolasch & Birch, LLP

(22) Filed: **Jan. 14, 2021**

(30) **Foreign Application Priority Data**

(57) **CLAIM**

Jul. 16, 2020 (KR) ..... 30-2020-0032920

We claim the ornamental design for a television with rollable display, as shown and described.

(51) **LOC (14) Cl.** ..... **14-03**

(52) **U.S. Cl.**  
USPC ..... **D14/126**

(58) **Field of Classification Search**  
USPC ..... D14/125, 126, 127, 128, 129, 132, 133, D14/183, 307, 335, 336, 371, 372-377, D14/496; D6/673, 672, 652.2, 648.3, D6/675.1, 705, 332; D26/118; D25/48.4, D25/48.5, 60  
CPC .... G06F 1/1626; G06F 1/1601; G06F 1/1605; G06F 1/1613; G06F 1/1652; H04N 5/00; H04N 5/38; H04N 7/00; H04N 7/14; H04N 5/44; H04N 5/64; H04M 1/72439; H04M 1/0268; G03B 21/10; G03B 21/56; G03B

**DESCRIPTION**

FIG. 1 is a perspective view of a television with rollable display showing our new design;  
FIG. 2 is a front elevation view thereof;  
FIG. 3 is a rear elevation view thereof;  
FIG. 4 is a left-side elevation view thereof;  
FIG. 5 is a right-side elevation view thereof;  
FIG. 6 is a top plan view thereof;  
FIG. 7 is a bottom plan view thereof;  
FIG. 8 is a perspective view of the television with rollable display of FIG. 1 shown in an alternate state with the display in a rolled-down position;  
FIG. 9 is a front elevation view thereof;  
FIG. 10 is a rear elevation view thereof;  
FIG. 11 is a left-side elevation view thereof;  
FIG. 12 is a right-side elevation view thereof;  
FIG. 13 is a top plan view thereof; and,  
FIG. 14 is a bottom plan view thereof.

(Continued)

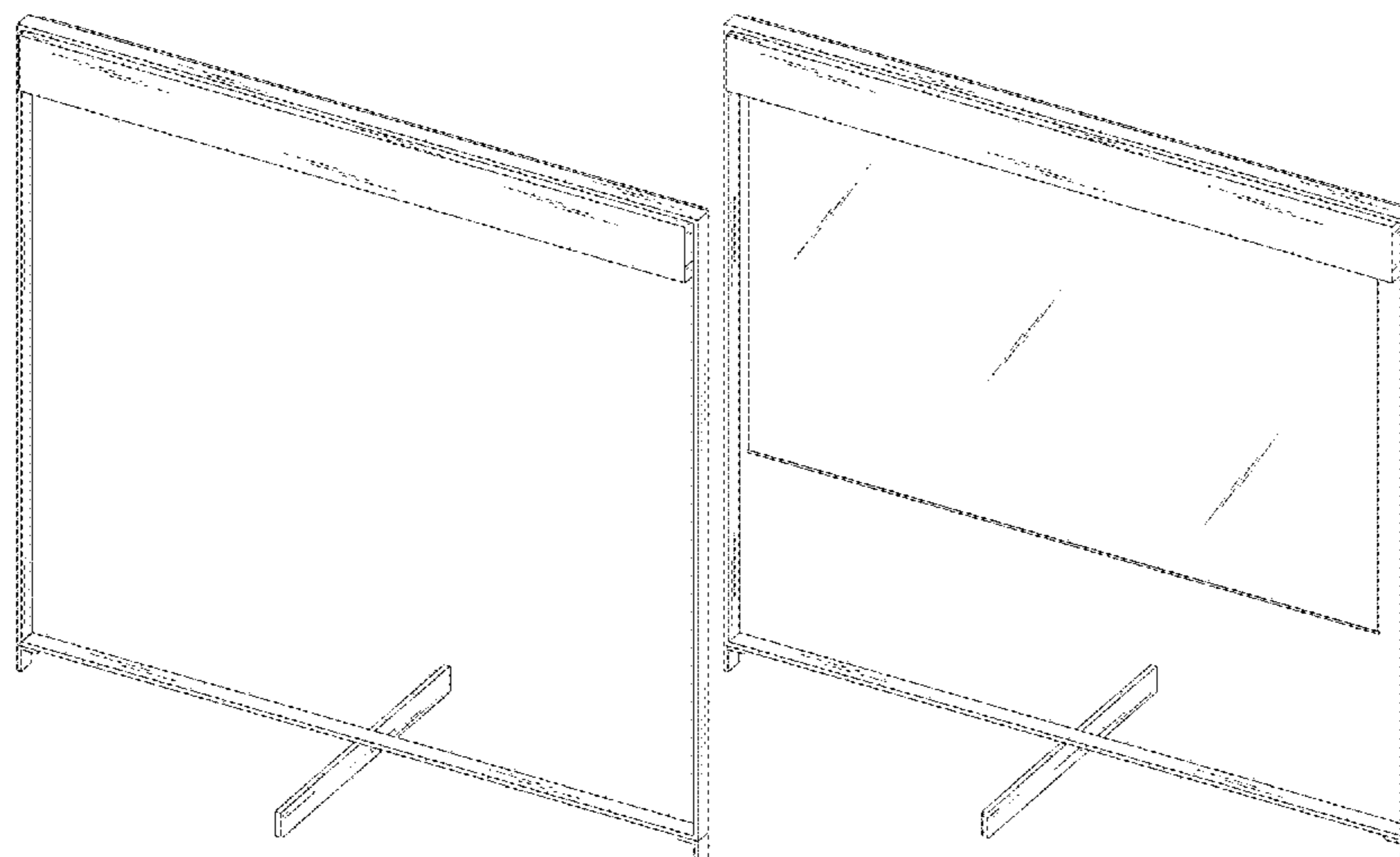
(56) **References Cited**

**1 Claim, 14 Drawing Sheets**

U.S. PATENT DOCUMENTS

D366,055 S \* 1/1996 Matsunaga ..... 359/461  
D463,493 S \* 9/2002 Beno ..... D19/113

(Continued)



(58) **Field of Classification Search**

CPC ..... 17/54; G03B 17/56; G03B 3/0425; G03B  
21/58; H05K 5/0217

See application file for complete search history.

(56) **References Cited**

U.S. PATENT DOCUMENTS

D602,973	S	*	10/2009	Adams	.....	D16/241
D710,847	S	*	8/2014	Ozolins	.....	D14/371
D719,120	S	*	12/2014	Park	.....	D14/126
D736,169	S	*	8/2015	Kim	.....	D14/126
D761,747	S	*	7/2016	Kim	.....	D14/126
D772,830	S	*	11/2016	Kim	.....	D14/126
D904,404	S	*	12/2020	Catania	.....	D14/374
D911,993	S	*	3/2021	Kim	.....	D14/126
D924,187	S	*	7/2021	Park	.....	D14/126
D930,604	S	*	9/2021	Pyo	.....	D14/126
D933,621	S	*	10/2021	Kim	.....	D14/126
D934,579	S	*	11/2021	Hurlemann	.....	D6/332
D934,825	S	*	11/2021	Pyo	.....	D14/126
D936,027	S	*	11/2021	Pyo	.....	D14/126
D949,972	S	*	4/2022	Lee	.....	D14/126
D952,587	S	*	5/2022	Choi	.....	D14/126
D960,118	S	*	8/2022	Girard	.....	D14/126
D972,638	S	*	12/2022	Lee	.....	D14/126

\* cited by examiner

FIG. 1

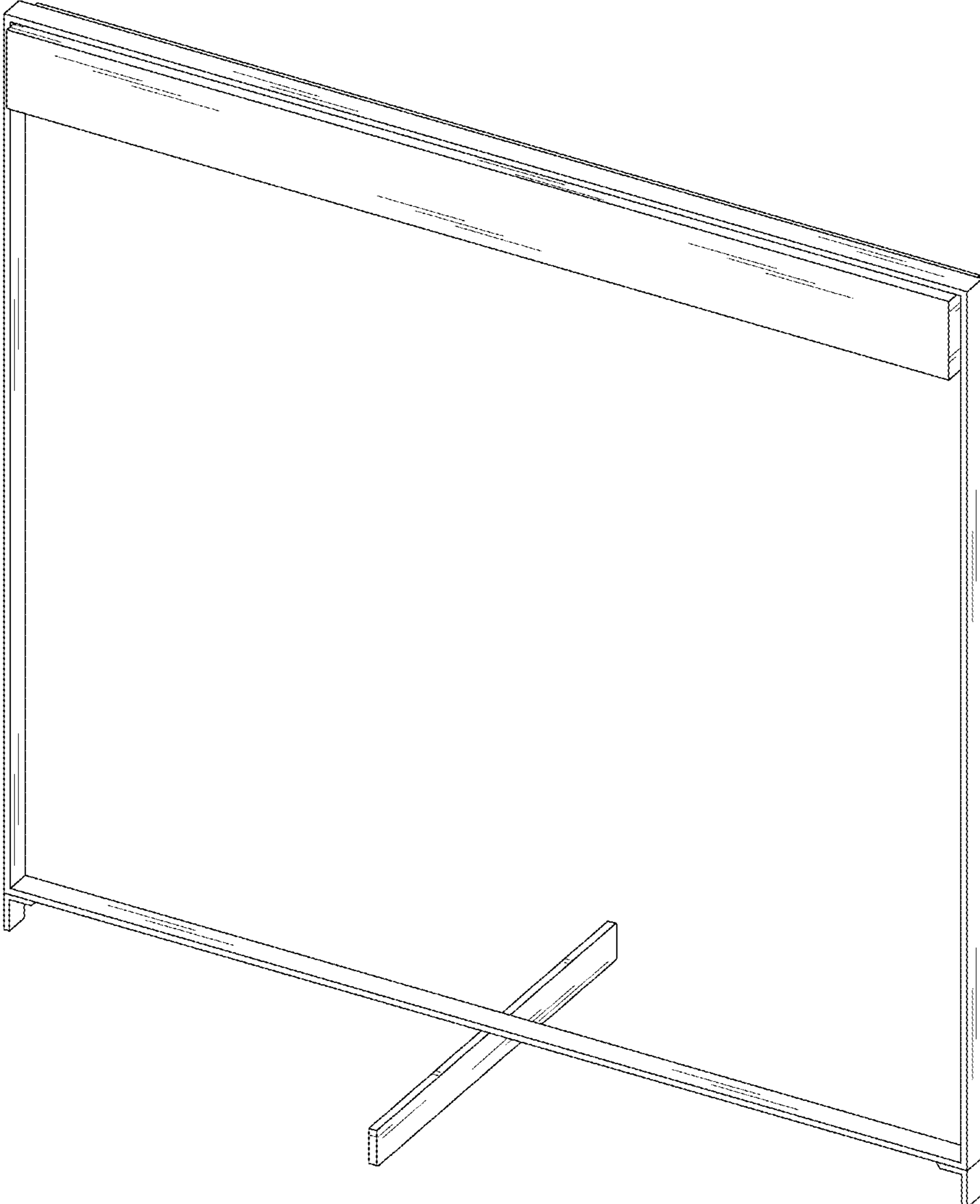


FIG. 2



FIG. 3

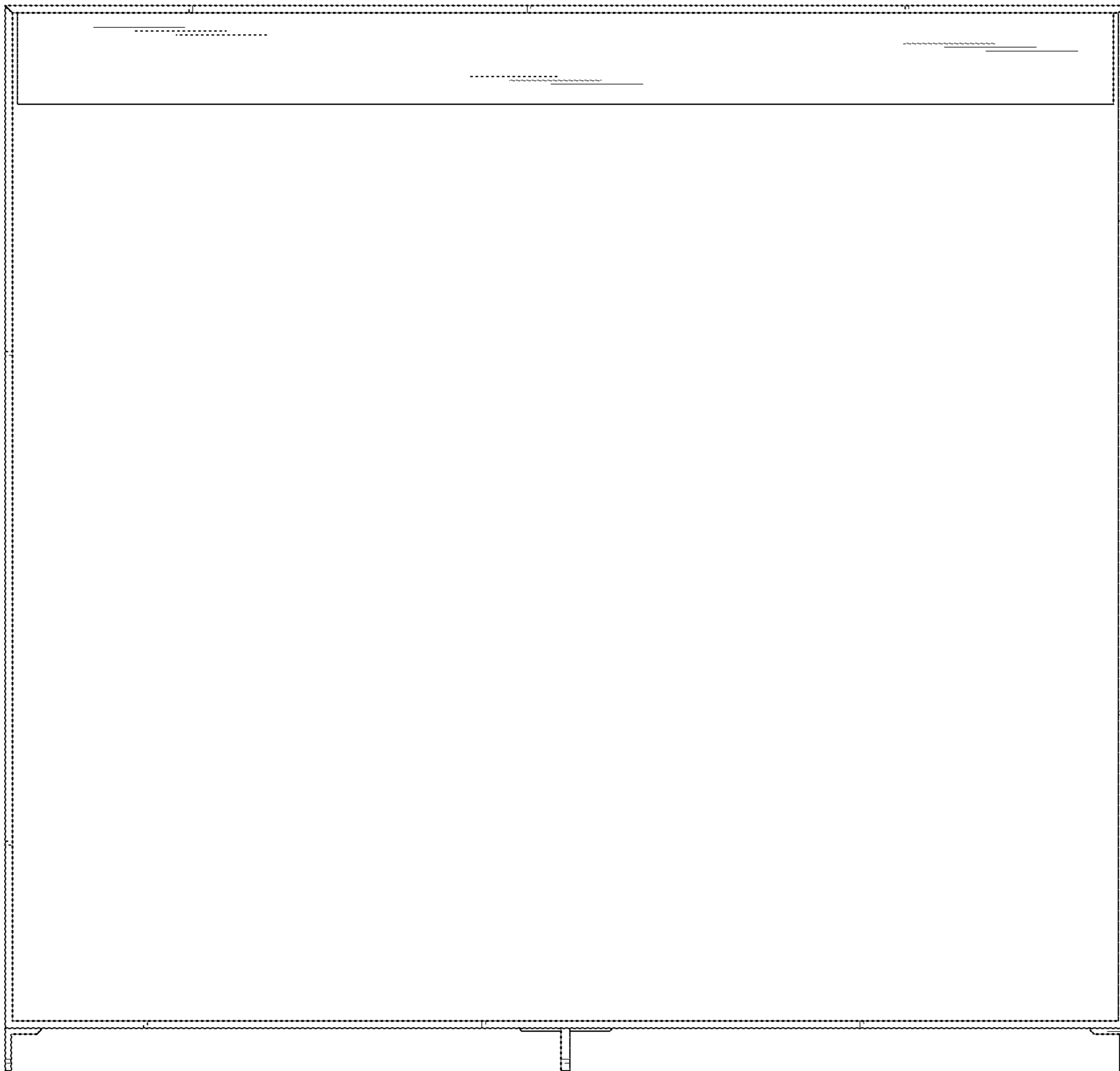


FIG. 4

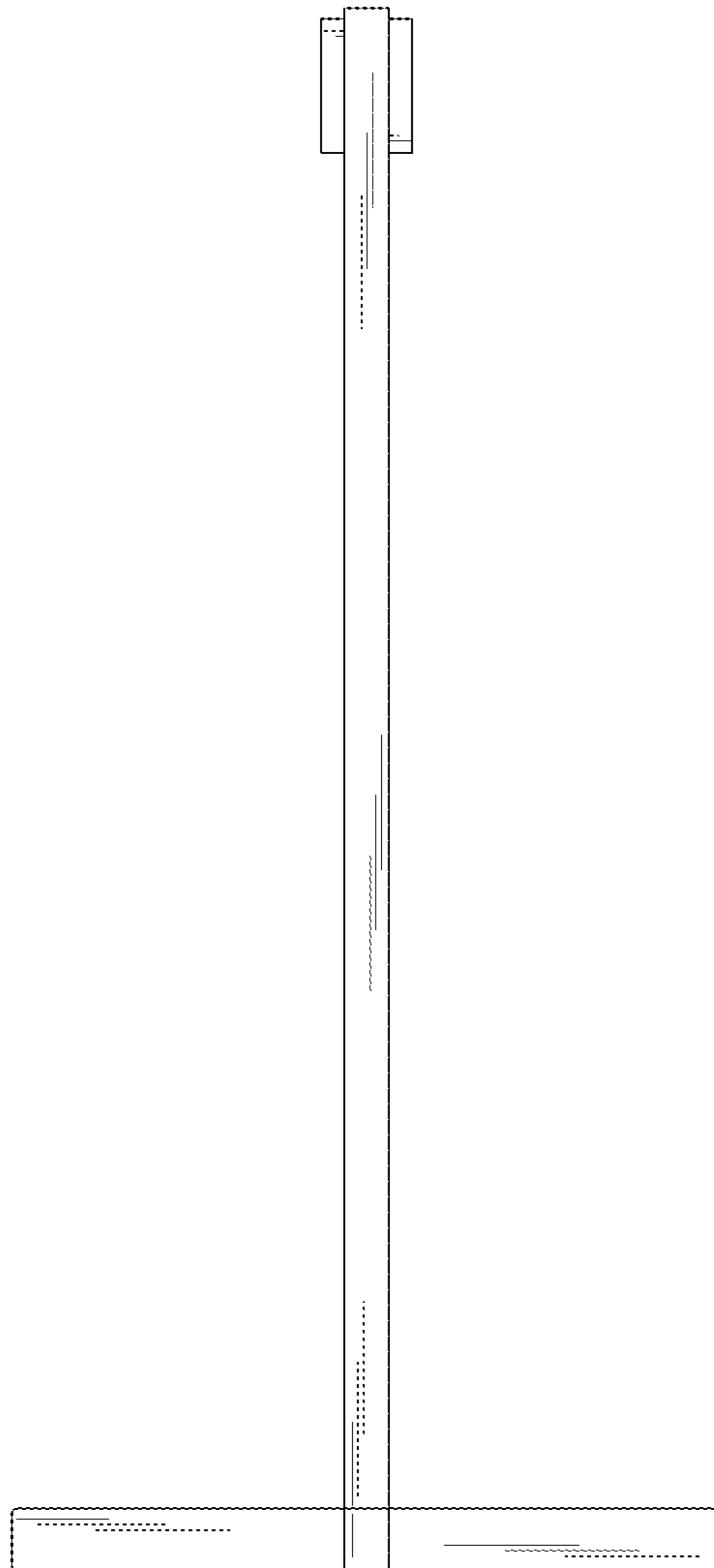


FIG. 5

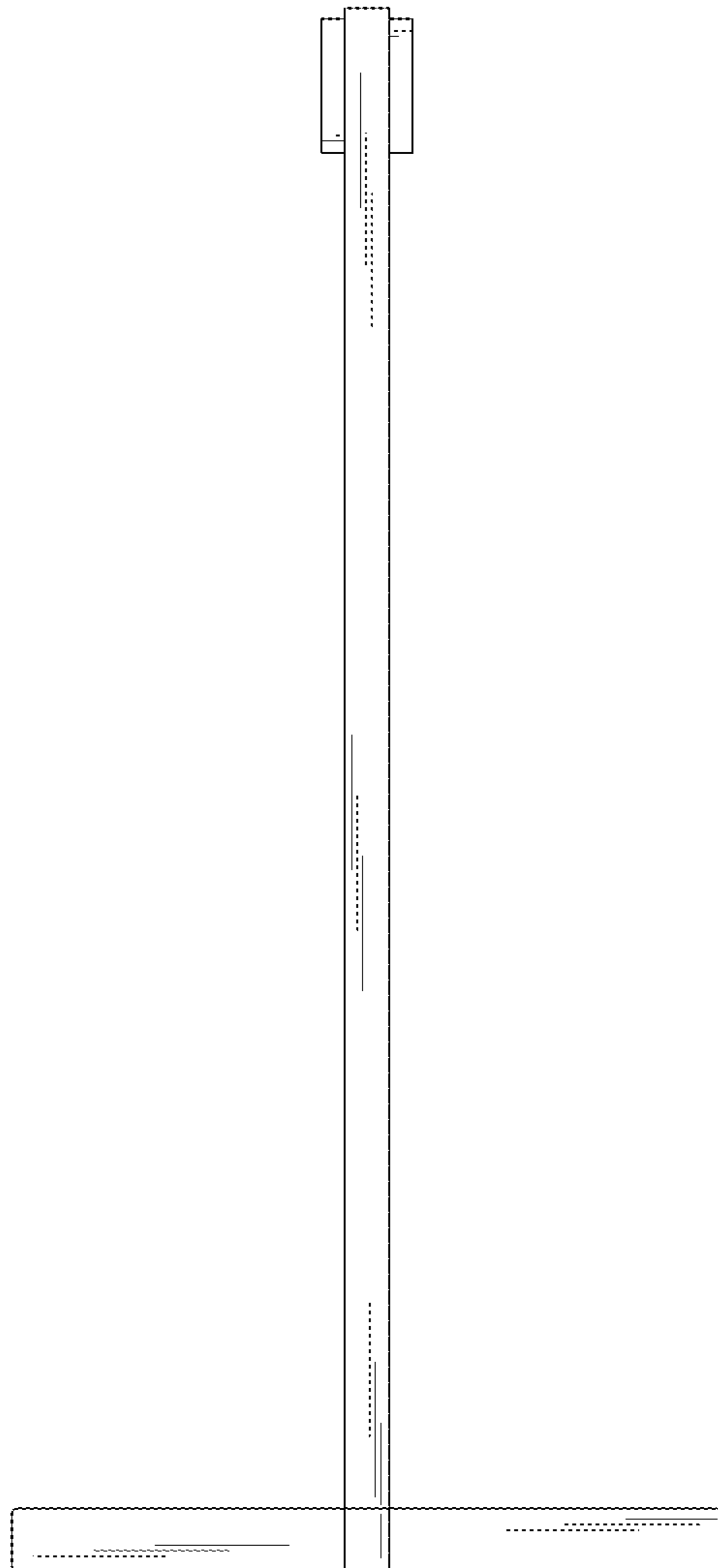


FIG. 6

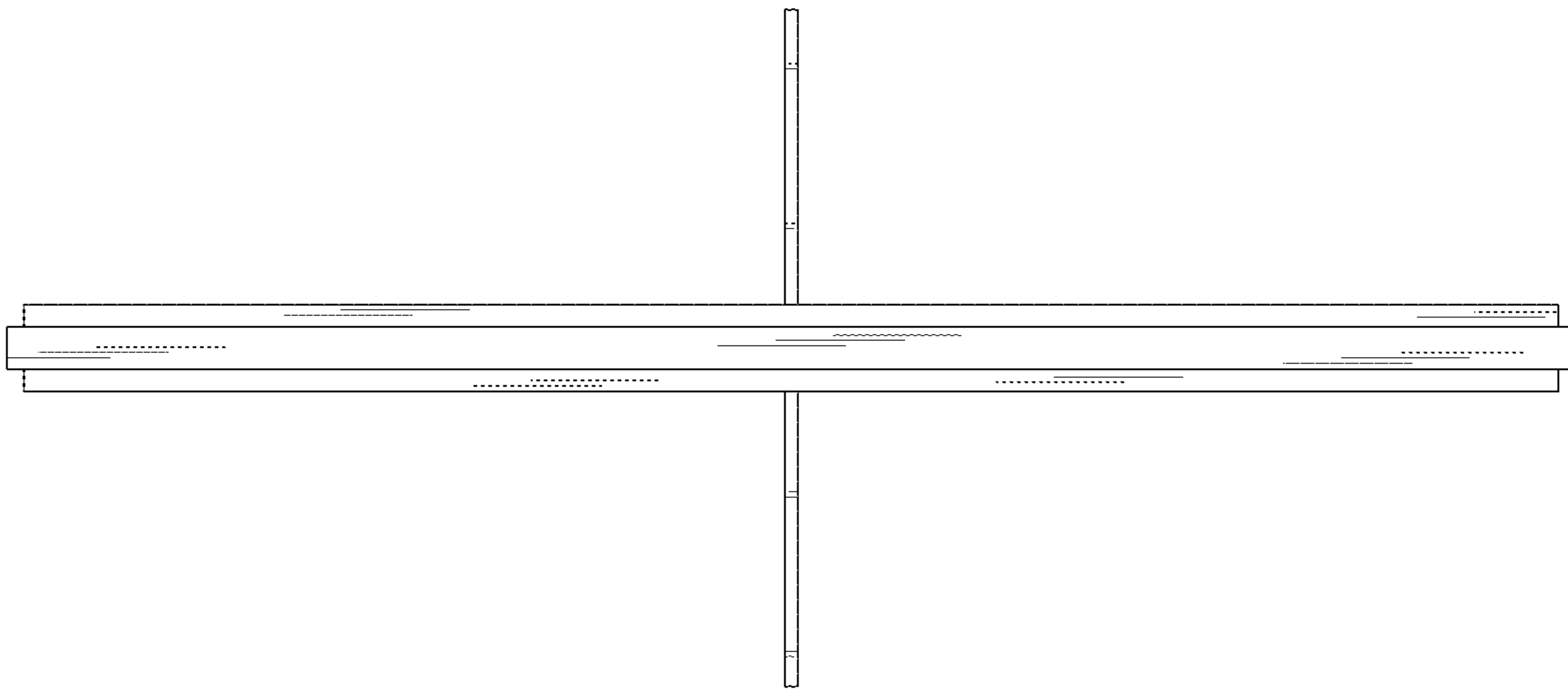




FIG. 7

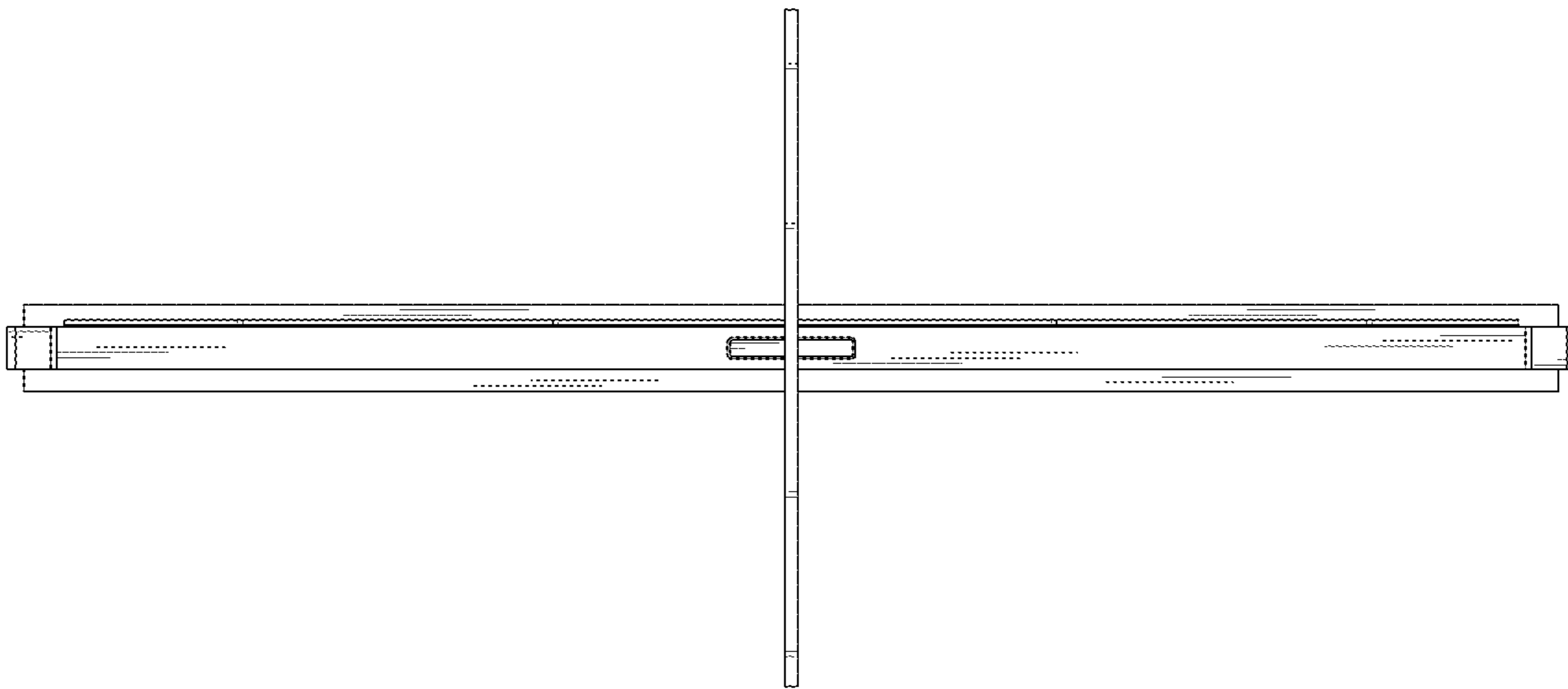


FIG. 8

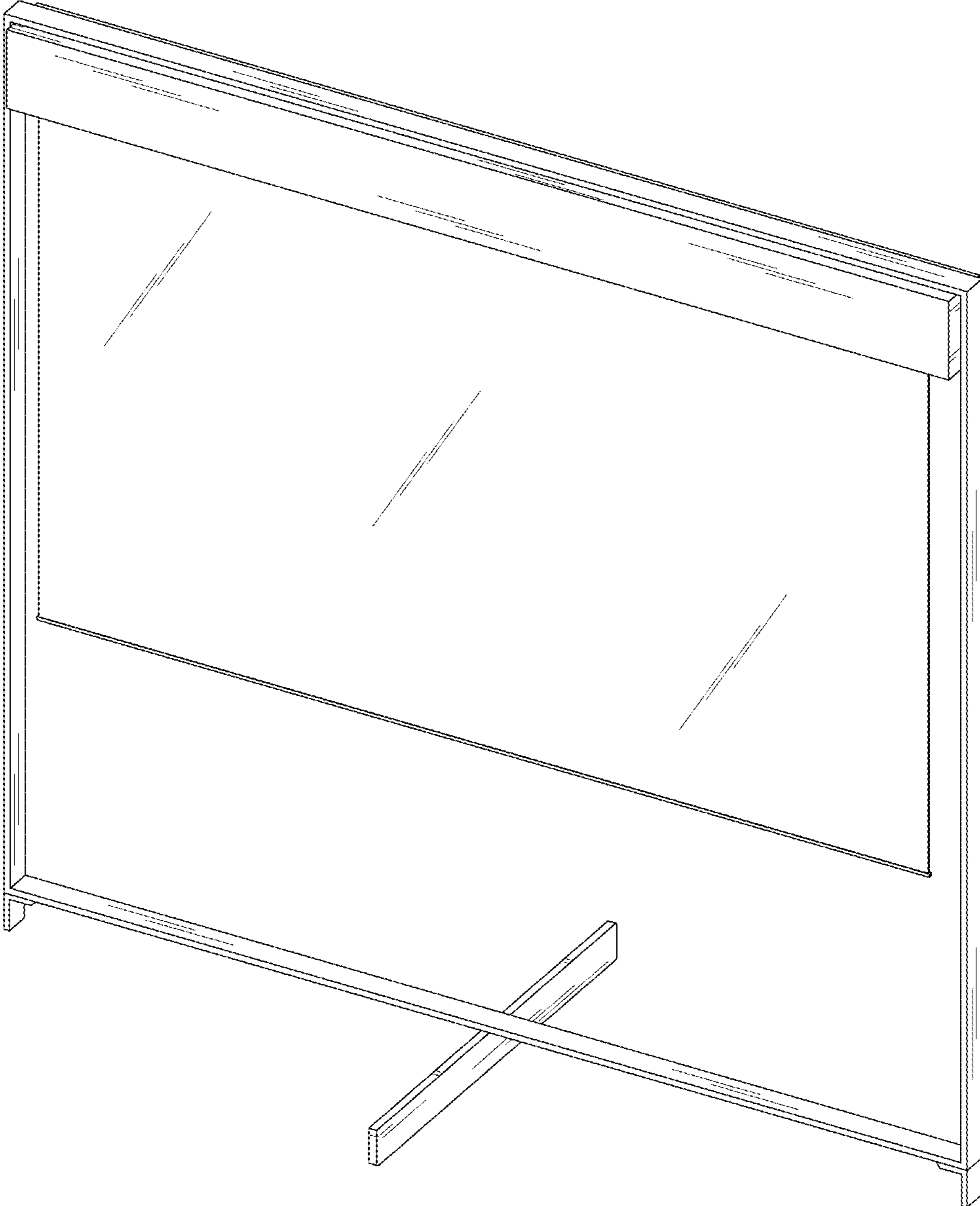


FIG. 9

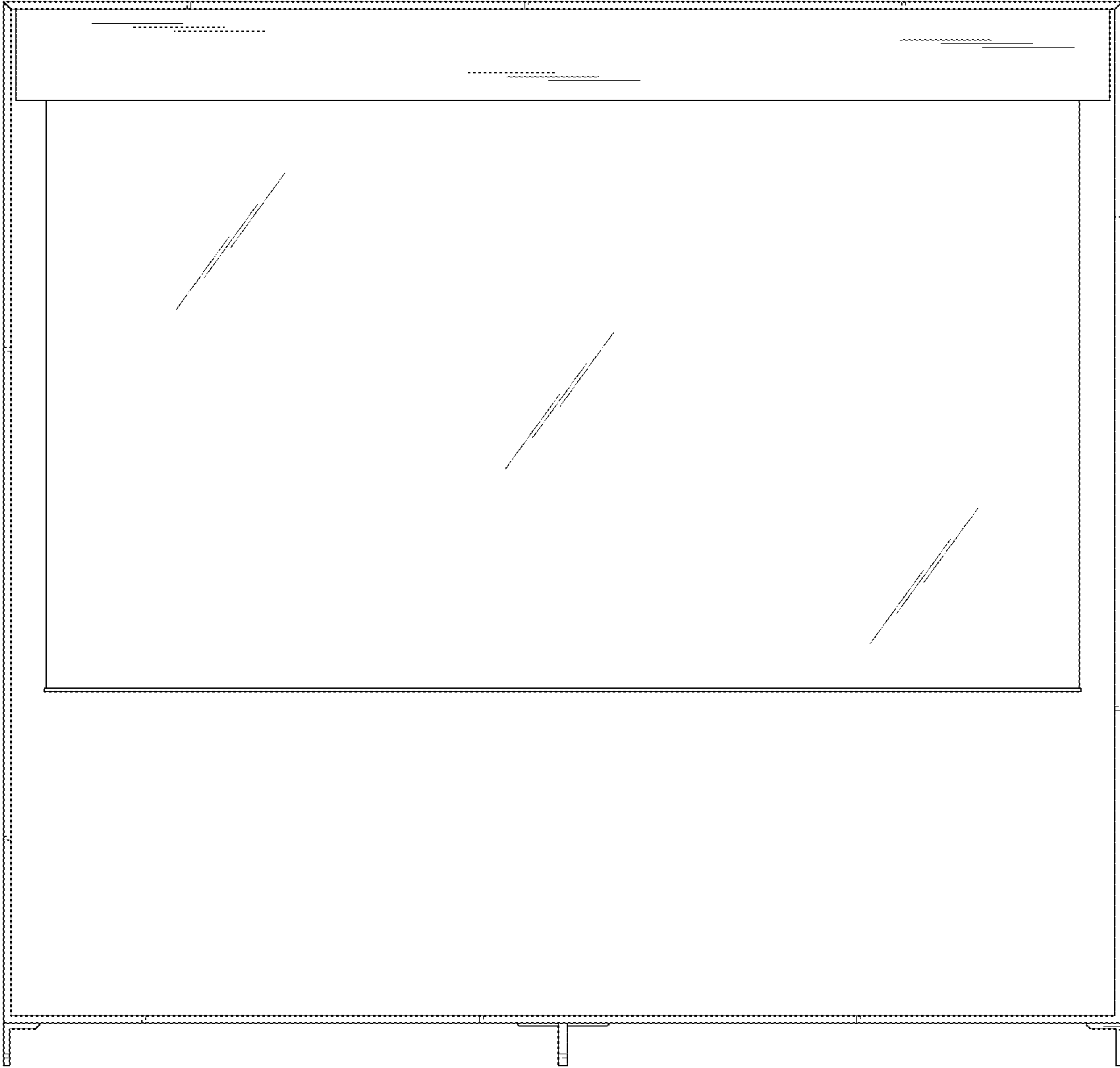


FIG. 10

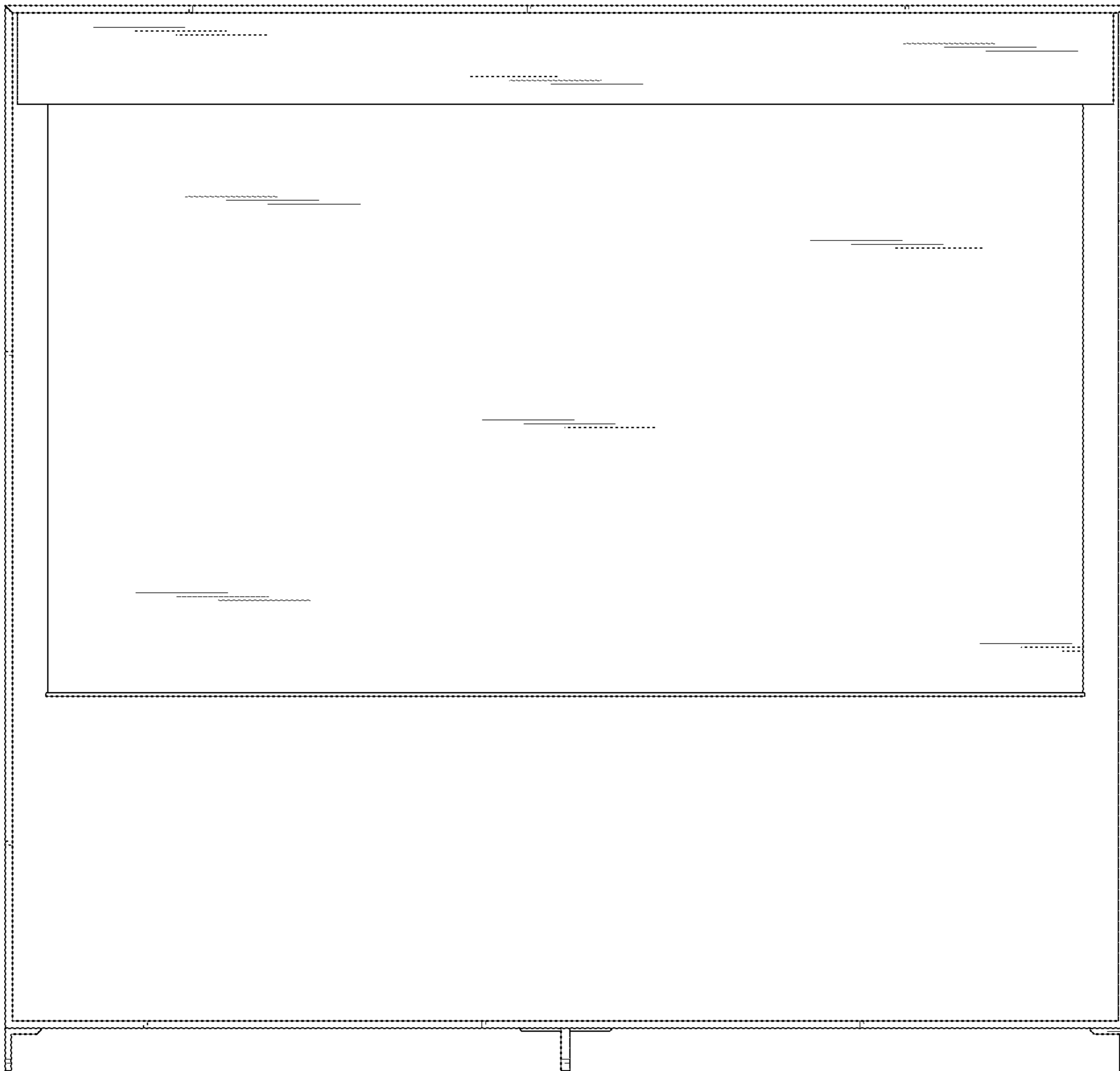


FIG. 11

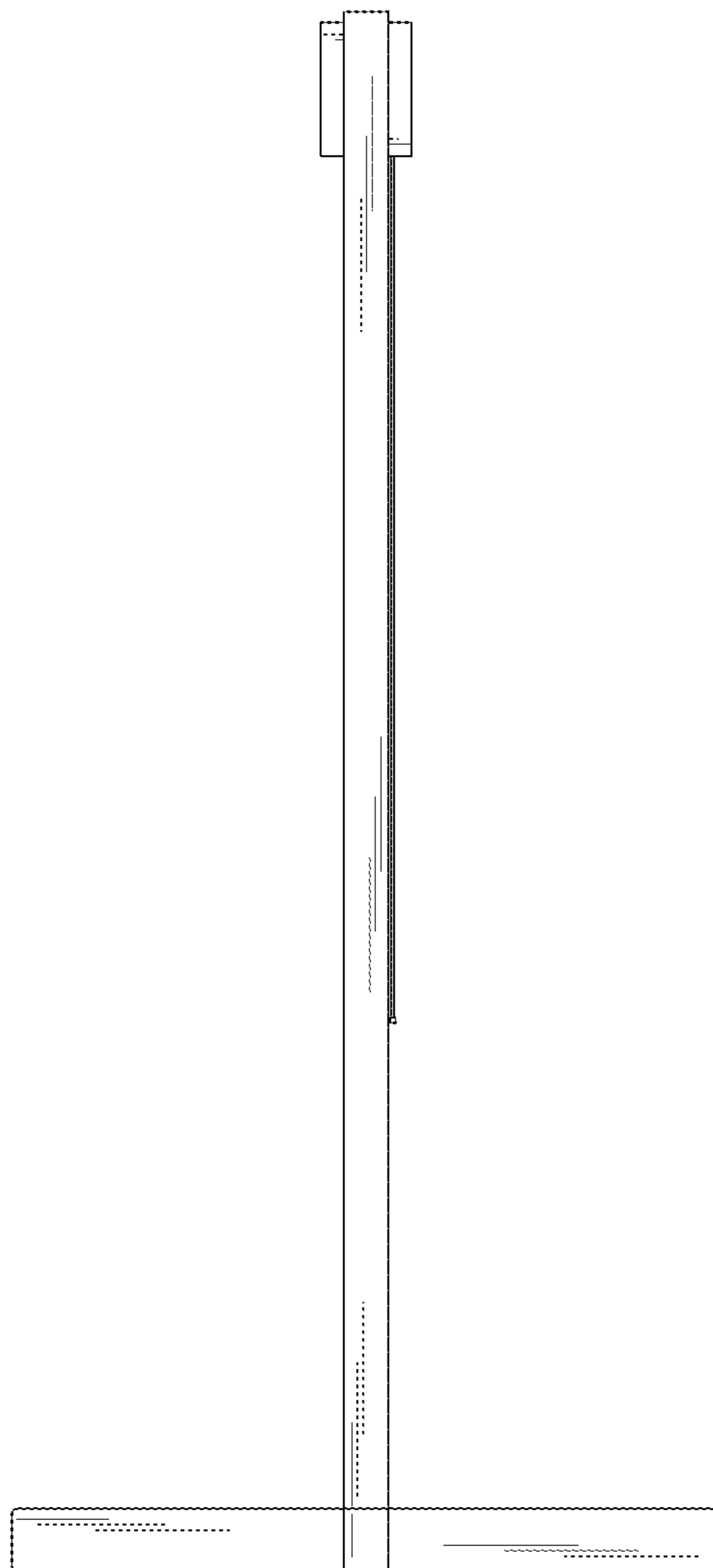


FIG. 12

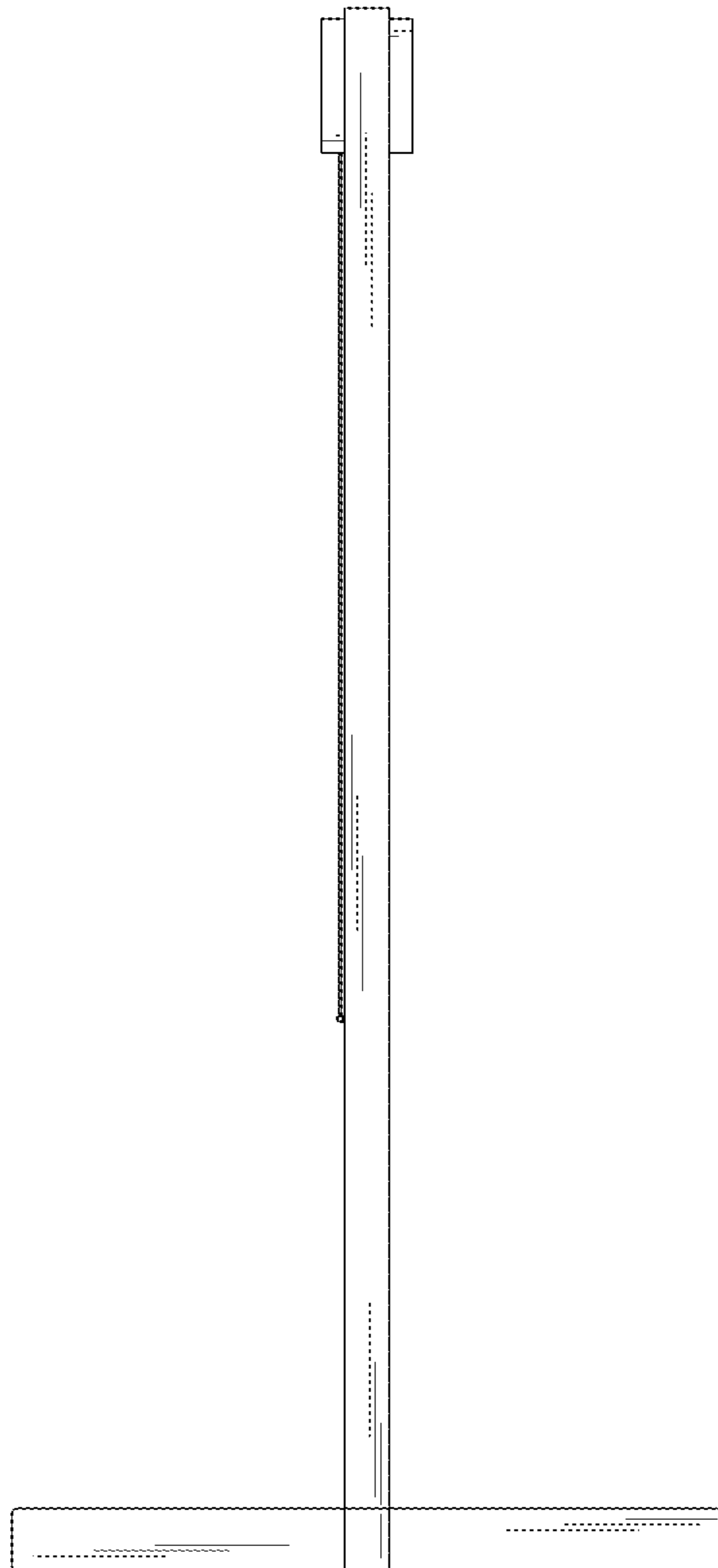


FIG. 13

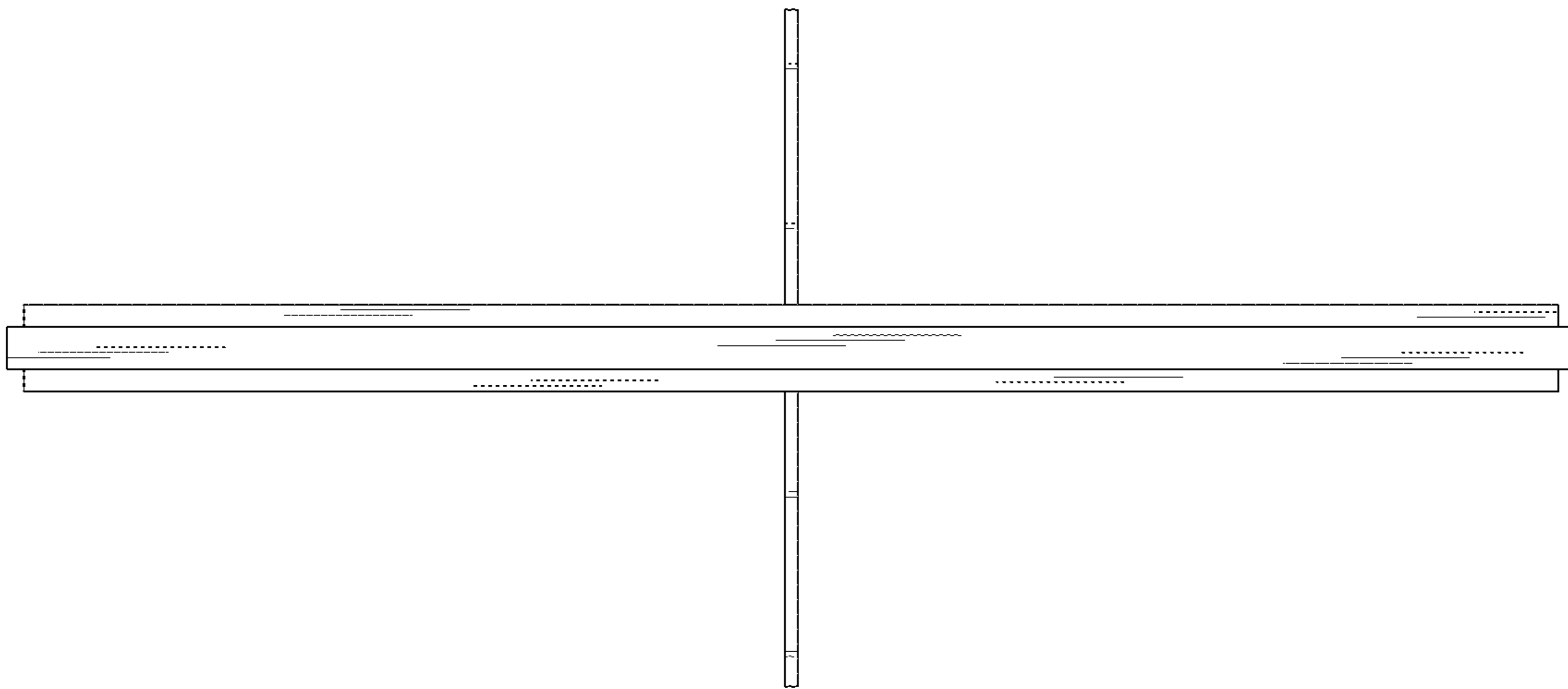


FIG. 14

