



US00D989720S

(12) **United States Design Patent**
Scala

(10) **Patent No.:** **US D989,720 S**
(45) **Date of Patent:** **** Jun. 20, 2023**

(54) **TV DECODER**

(71) Applicant: **SAGEMCOM BROADBAND SAS**,
Rueil-Malmaison (FR)

(72) Inventor: **Olivier Scala**, Rueil-Malmaison (FR)

(**) Term: **15 Years**

(21) Appl. No.: **35/512,936**

(22) Filed: **May 18, 2021**

(80) **Hague Agreement Data**

Int. Filing Date: **May 18, 2021**

Int. Reg. No.: **DM/214378**

Int. Reg. Date: **May 18, 2021**

Int. Reg. Pub. Date: **Nov. 19, 2021**

(30) **Foreign Application Priority Data**

Nov. 18, 2020 (BR) 302020005498-9

(51) **LOC (14) Cl.** **14-03**

(52) **U.S. Cl.**
USPC **D14/125**

(58) **Field of Classification Search**

USPC ... D14/125-129, 138 AA, 138 AB, 138 AC,
D14/138 AD, 138 C, 138 G, 155-159,
D14/160-173, 187-188, 189-198,
D14/203.1-203.8, 204-216, 217-222,
D14/239, 248, 257-258, 315-318,
D14/341-347, 371, 374, 413, 432, 433,
D14/439-441, 496, 498-506; D6/308,
D6/310; D10/50, 65, 104.1; D18/6-7;
D21/324, 329-330, 332

CPC ... H04M 1/0202; H04M 1/0266; H04M 1/725
See application file for complete search history.

(56) **References Cited**

U.S. PATENT DOCUMENTS

5,426,701 A * 6/1995 Herrmann G07F 7/1008
725/151
D438,195 S * 2/2001 Chao D14/222

D617,314 S * 6/2010 Zha D14/216
D694,182 S * 11/2013 Lee D13/108
D720,289 S * 12/2014 Chiang D13/108
D747,229 S * 1/2016 Perez D10/104.1
D806,020 S * 12/2017 Lu D13/107
D883,967 S * 5/2020 Huang D14/240
D900,812 S * 11/2020 Friedman D24/188
D918,204 S * 5/2021 Raken D14/388

(Continued)

FOREIGN PATENT DOCUMENTS

WO WOD214378-001 * 11/2021

OTHER PUBLICATIONS

Android TV Box, date first available: Jun. 25, 2019, [retrieved Sep. 25, 2022], Retrieved from Internet, URL: <<https://www.amazon.com/4GB-64GB-Smart-Streaming-HK1-MAX/dp/B07RZ5Y95K>> (Year: 2019).*

Primary Examiner — Messina L Smith

Assistant Examiner — Aram Kwon

(74) *Attorney, Agent, or Firm* — Egbert, McDaniel & Swartz, PLLC

(57) **CLAIM**

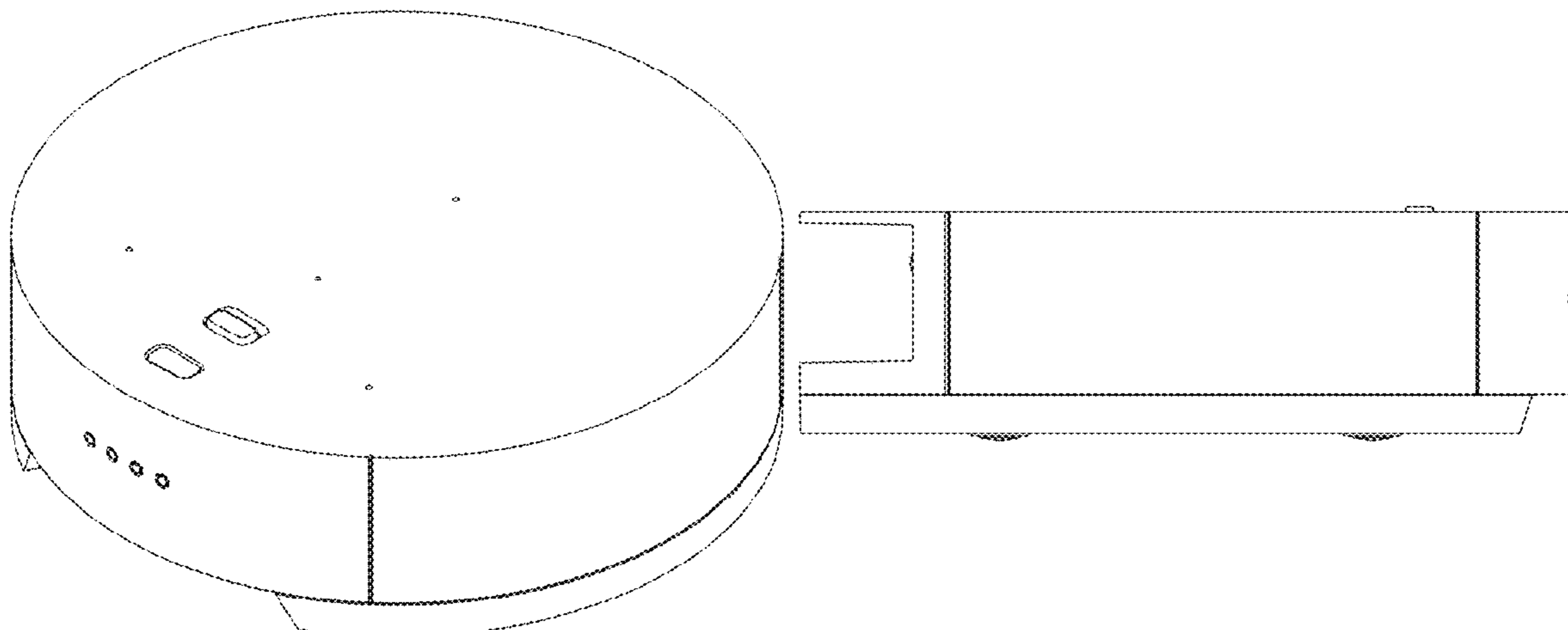
The ornamental design for a TV decoder, as shown and described.

DESCRIPTION

- 1. TV decoder
- 1.1 : Perspective
- 1.2 : Front
- 1.3 : Back
- 1.4 : Bottom
- 1.5 : Top
- 1.6 : Left
- 1.7 : Right

The broken lines shown in Reproductions 1.3 and 1.4 illustrate portions of the TV decoder that form no part of the claimed design.

1 Claim, 7 Drawing Sheets



(56)

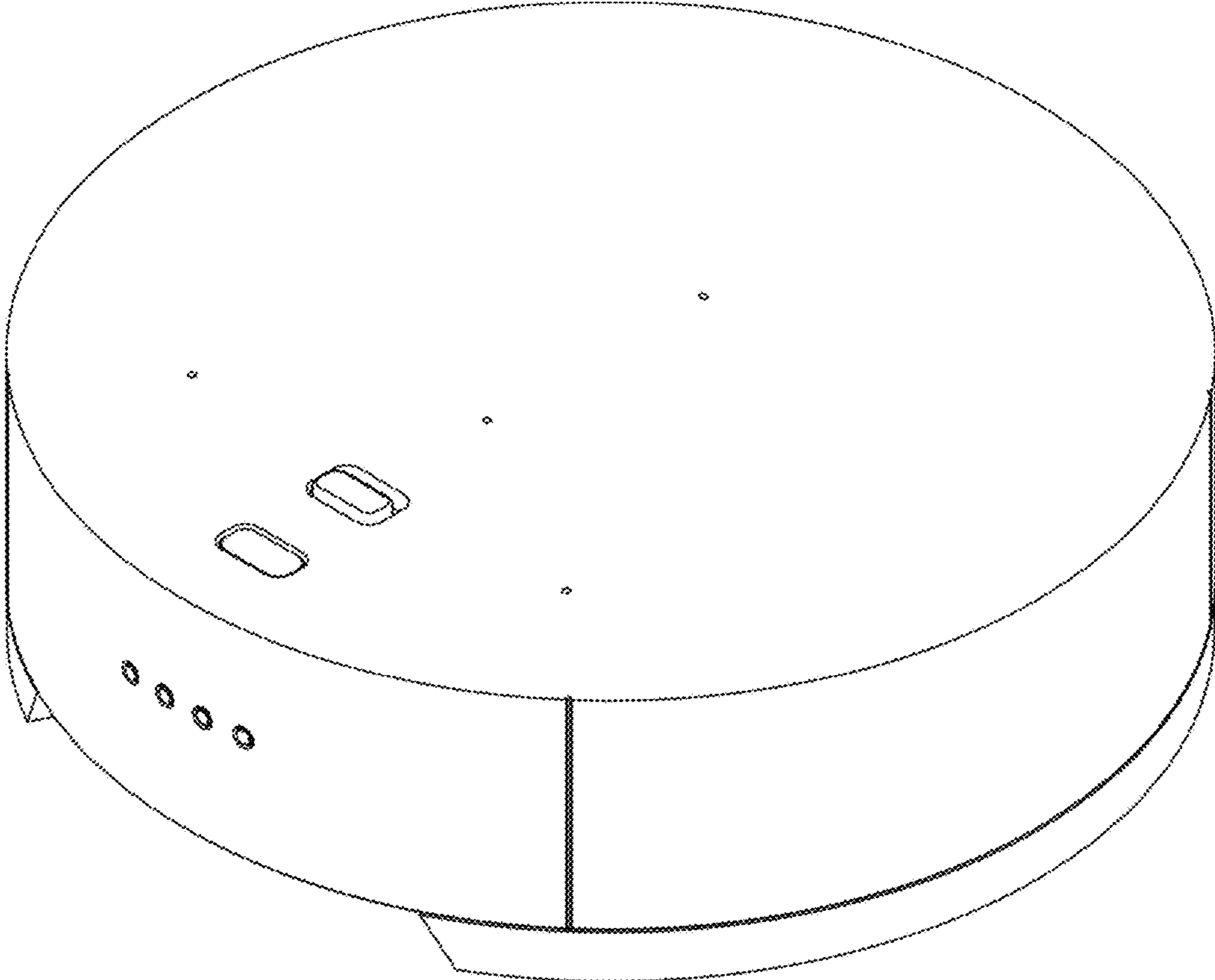
References Cited

U.S. PATENT DOCUMENTS

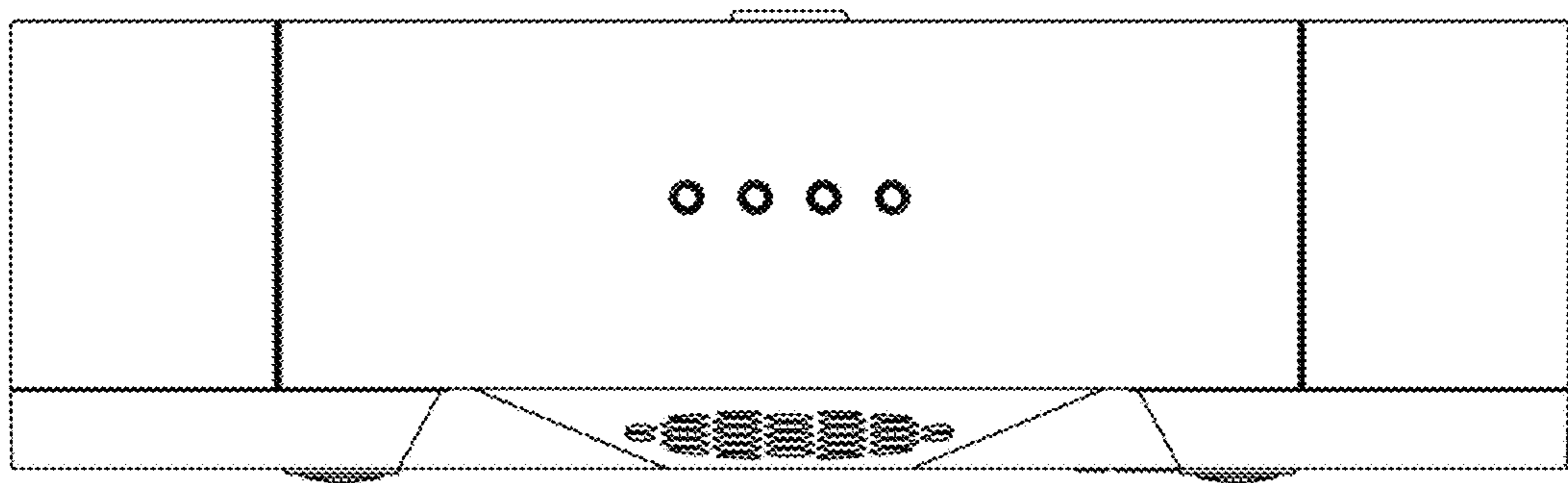
D924,196 S * 7/2021 Wang D14/149
D931,860 S * 9/2021 Chin D14/434

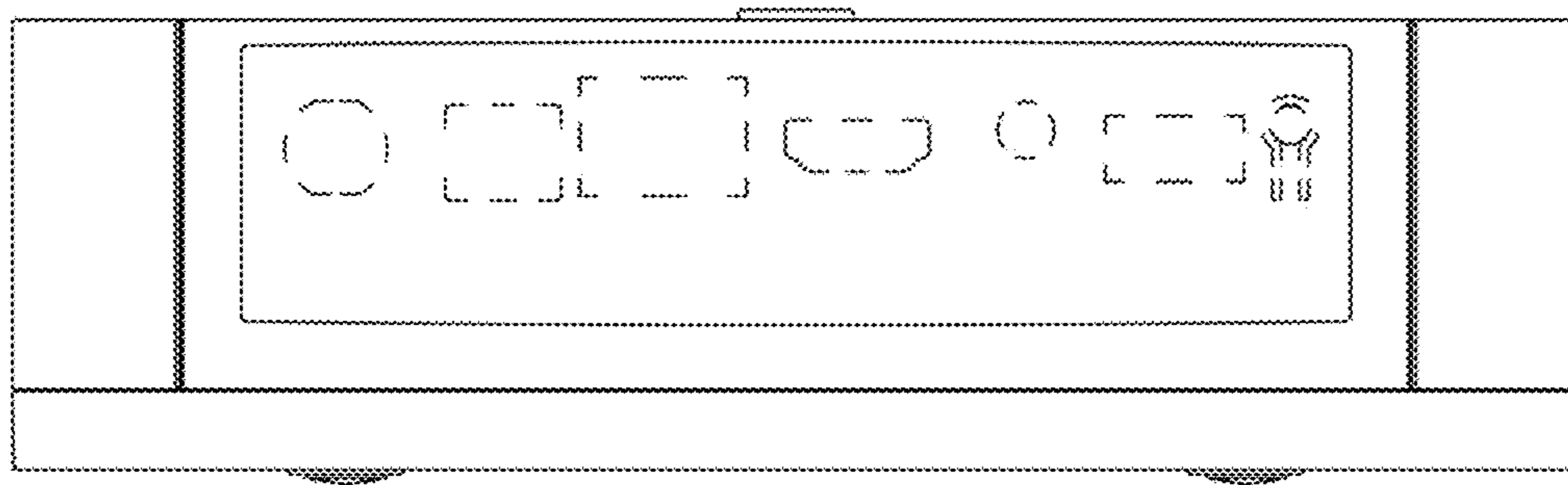
* cited by examiner

1.1

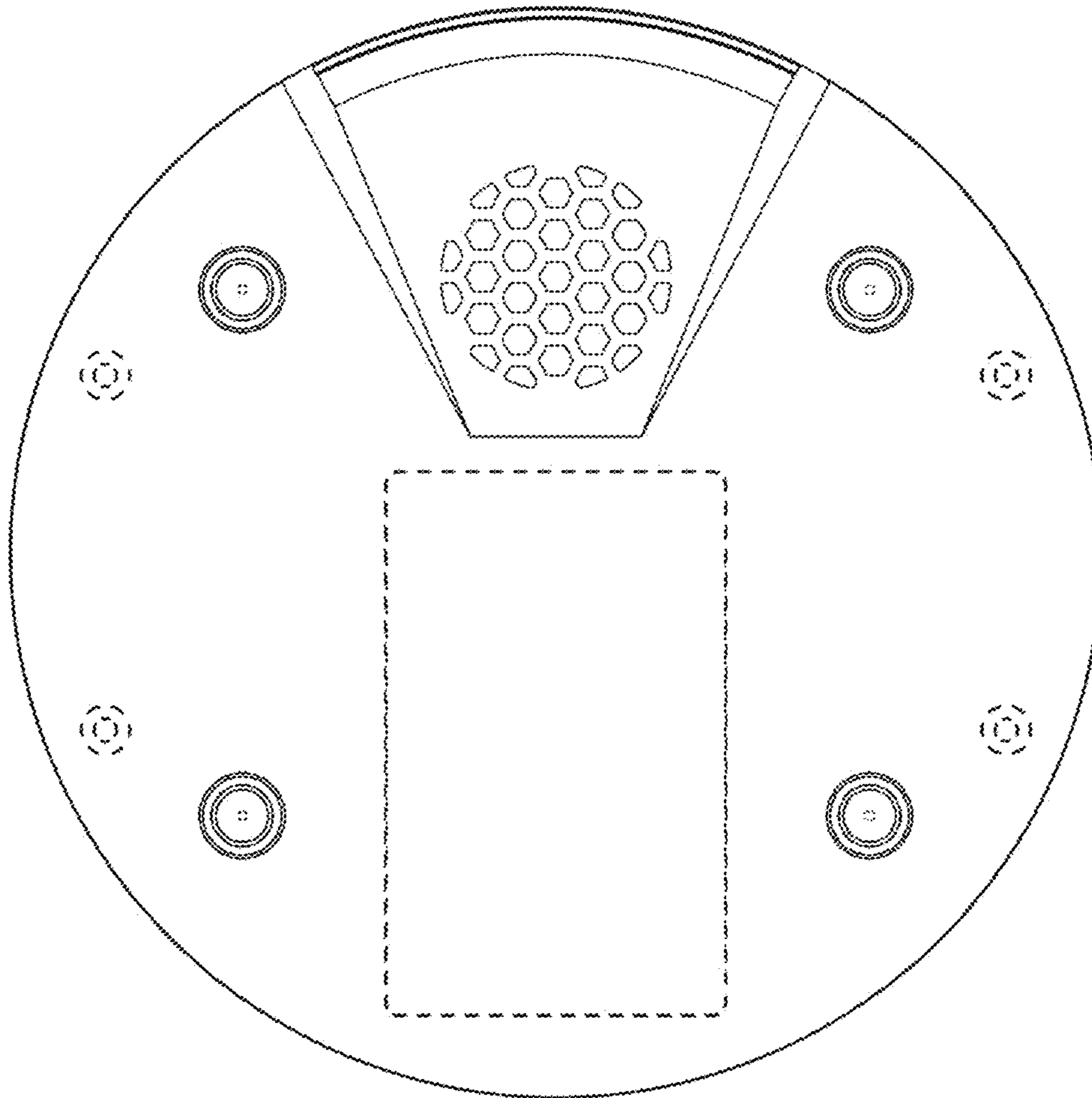


1.2



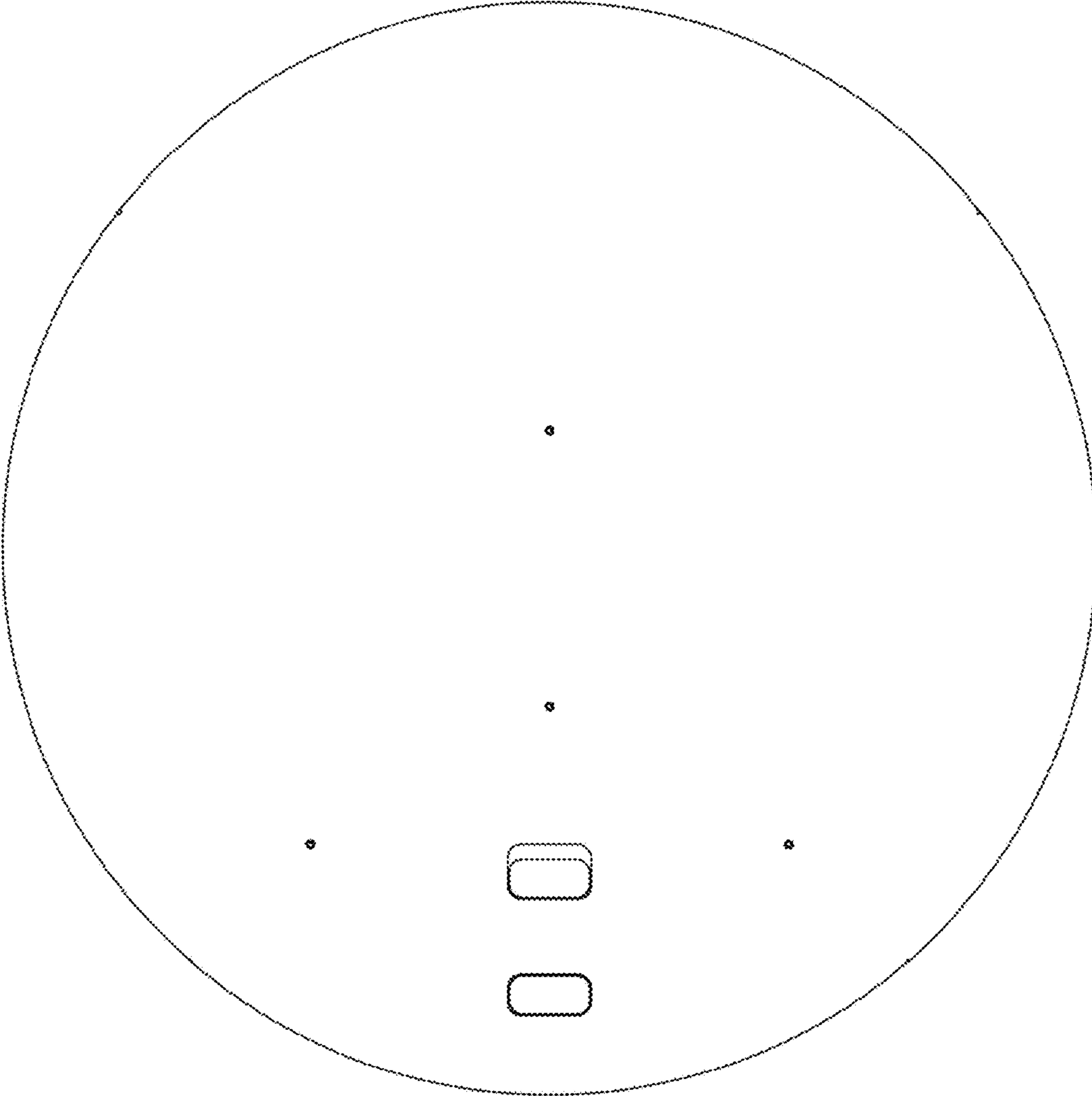


1.3

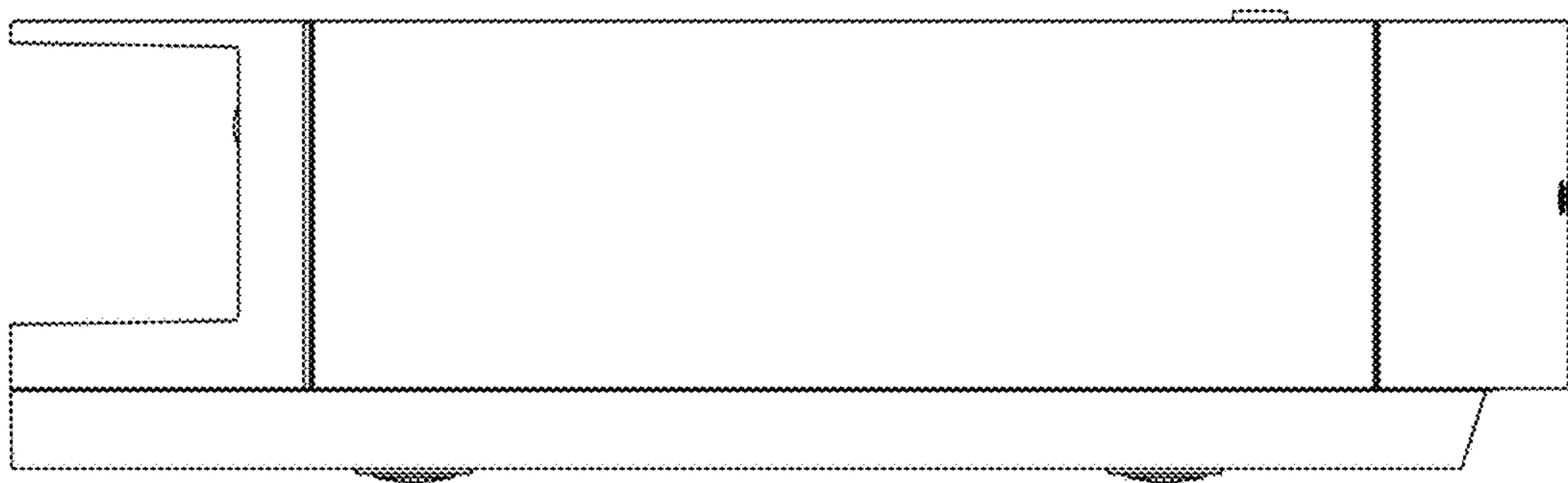


1.4

1.5



1.6



1.7

