



US00D989719S

(12) **United States Design Patent**
Ihns

(10) **Patent No.:** **US D989,719 S**

(45) **Date of Patent:** **** Jun. 20, 2023**

(54) **TOGGLE SWITCH GUARD**

(71) Applicant: **Jurgen R. Ihns**, Gulf Breeze, FL (US)

(72) Inventor: **Jurgen R. Ihns**, Gulf Breeze, FL (US)

(73) Assignee: **Mercury Systems, Inc.**, Andover, MA (US)

(**) Term: **15 Years**

(21) Appl. No.: **29/809,120**

(22) Filed: **Sep. 25, 2021**

(51) **LOC (14) Cl.** **13-03**

(52) **U.S. Cl.**
USPC **D13/173**

(58) **Field of Classification Search**
USPC D13/173, 177, 178; D8/330, 331, 395
CPC H01H 3/022; H01H 9/20; H01H 9/28;
H01H 9/282; H01H 9/283; H01H 9/287;
H01H 2003/024; H01H 2003/028
See application file for complete search history.

(56) **References Cited**

U.S. PATENT DOCUMENTS

3,527,914 A	9/1970	Spacek	
D260,232 S	8/1981	Simons	
4,363,944 A	12/1982	Poirier	
9,177,734 B2	11/2015	Todd	
9,230,757 B2	1/2016	Rego et al.	
D798,828 S *	10/2017	Maloney	D13/173
D866,489 S *	11/2019	Ross	D13/173
2004/0262138 A1 *	12/2004	Lee	H01H 9/06 200/293
2012/0047973 A1 *	3/2012	Su	G05G 5/02 70/174
2015/0179368 A1 *	6/2015	Roe	H01H 3/022 200/334

2021/0110982 A1 *	4/2021	Lind	H01H 9/287
2021/0391126 A1 *	12/2021	Foshag	H01H 9/287
2022/0384127 A1 *	12/2022	Yan	H01H 9/0072

OTHER PUBLICATIONS

Amazon.com, Siemens 52AAGM Guard, Mushroom Pushbuttons, Aug. 4, 2012; 2 pgs.*
Grainger, Schneider Electric, 30 mm Size, Pushbutton Guard; retrieved on Feb. 15, 2023; 1 pg.*
EAO 704.927.8—E-stop protective shroud, Aug. 4, 2014; 2 pgs.*
Surplus Center: “Switch Cover”; publication no later than Sep. 17, 2017.

* cited by examiner

Primary Examiner — Selina Sikder

(74) *Attorney, Agent, or Firm* — Bryan W. Bockhop;
Bockhop Intellectual Property Law, PLLC

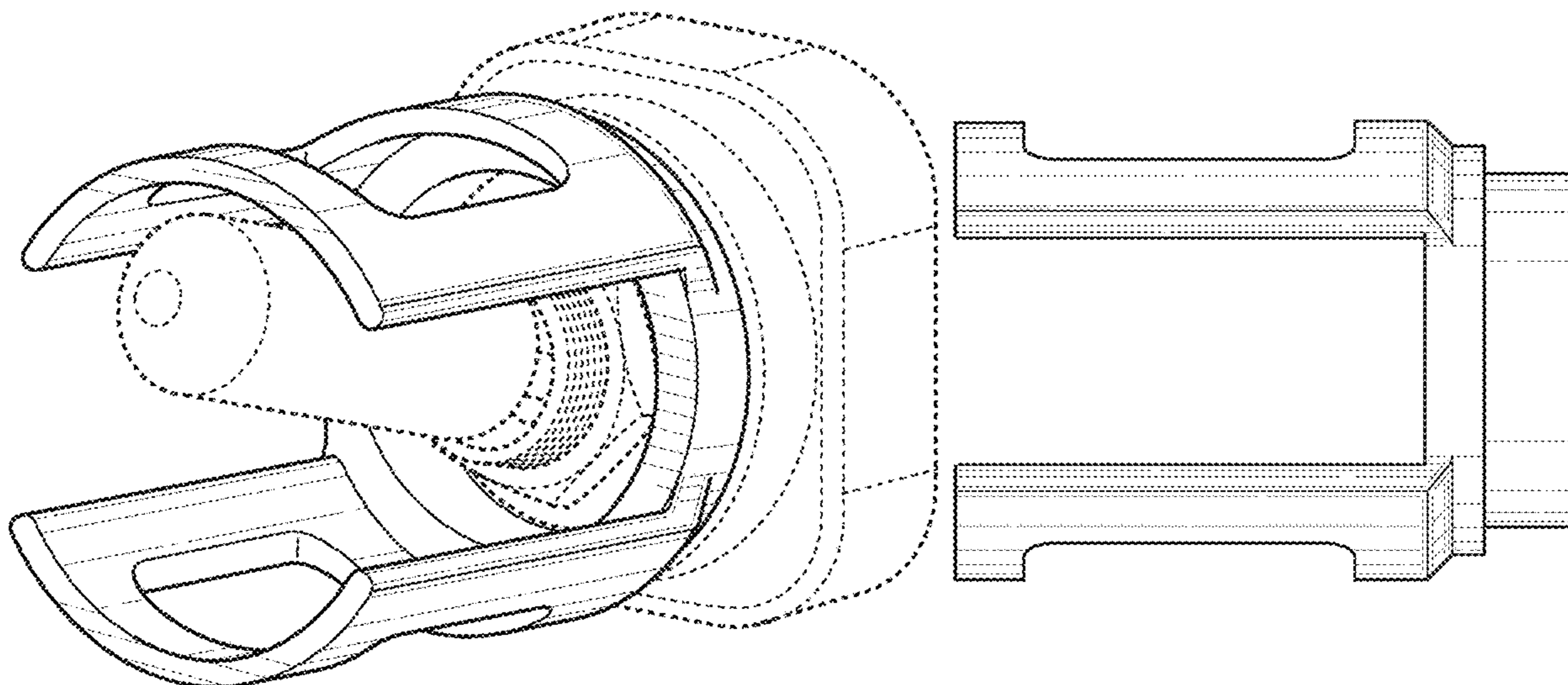
(57) **CLAIM**

The ornamental design for a toggle switch guard, as shown and described.

DESCRIPTION

FIG. 1 is a top isometric view of a portion of a toggle switch guard showing my new design.
FIG. 2 is a left side elevational view thereof.
FIG. 3 is a right side elevational view thereof.
FIG. 4 is a top plan view thereof.
FIG. 5 is a bottom plan view thereof.
FIG. 6 is a front elevational view thereof.
FIG. 7 is a back elevational view thereof; and,
FIG. 8 is an isometric view thereof with a section cut away taken along line 8-8 in FIG. 6.
The broken lines in the drawings depict environmental structure associated with the toggle switch guard that form no part of the claimed design.

1 Claim, 5 Drawing Sheets



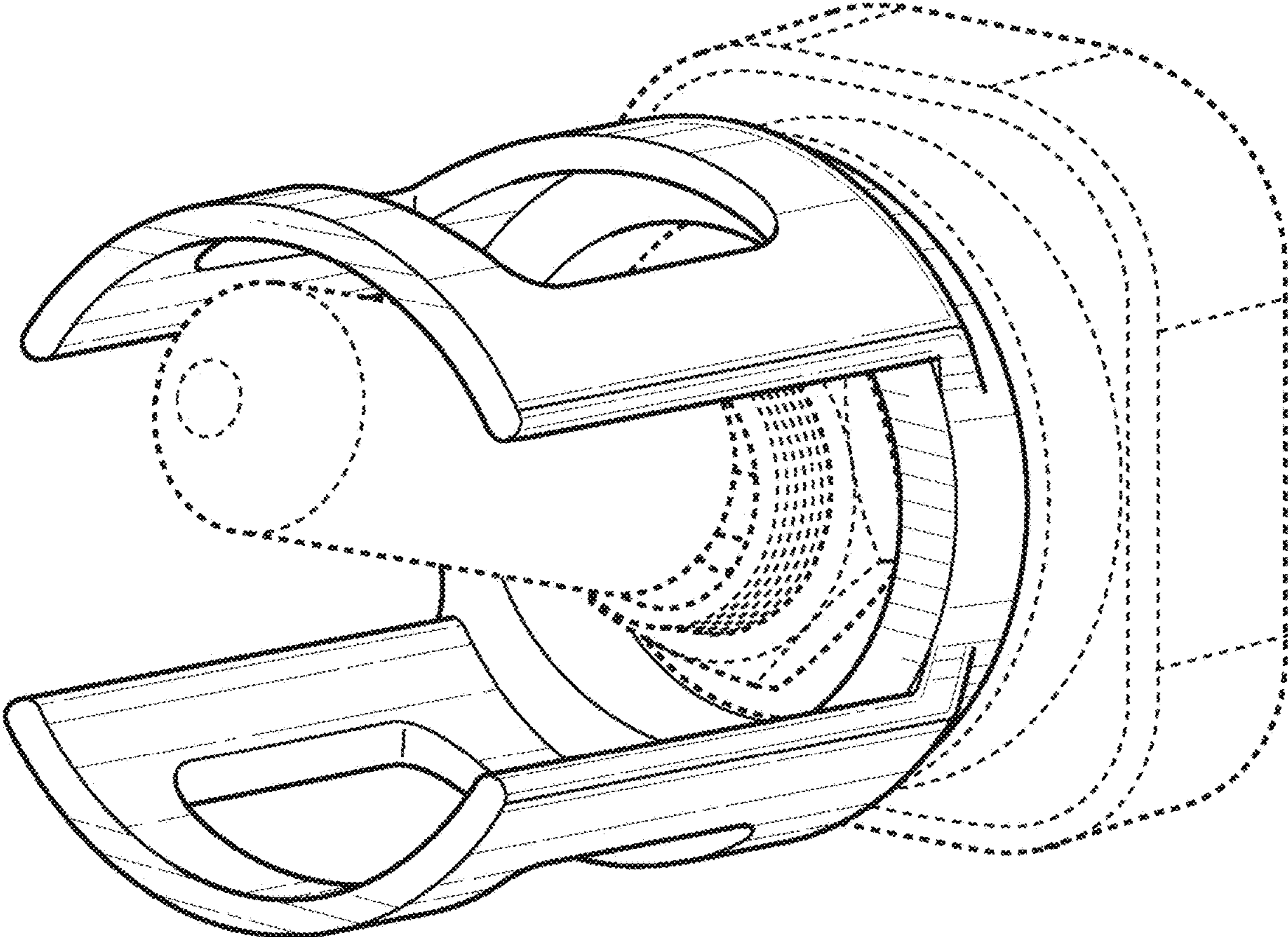


FIG. 1

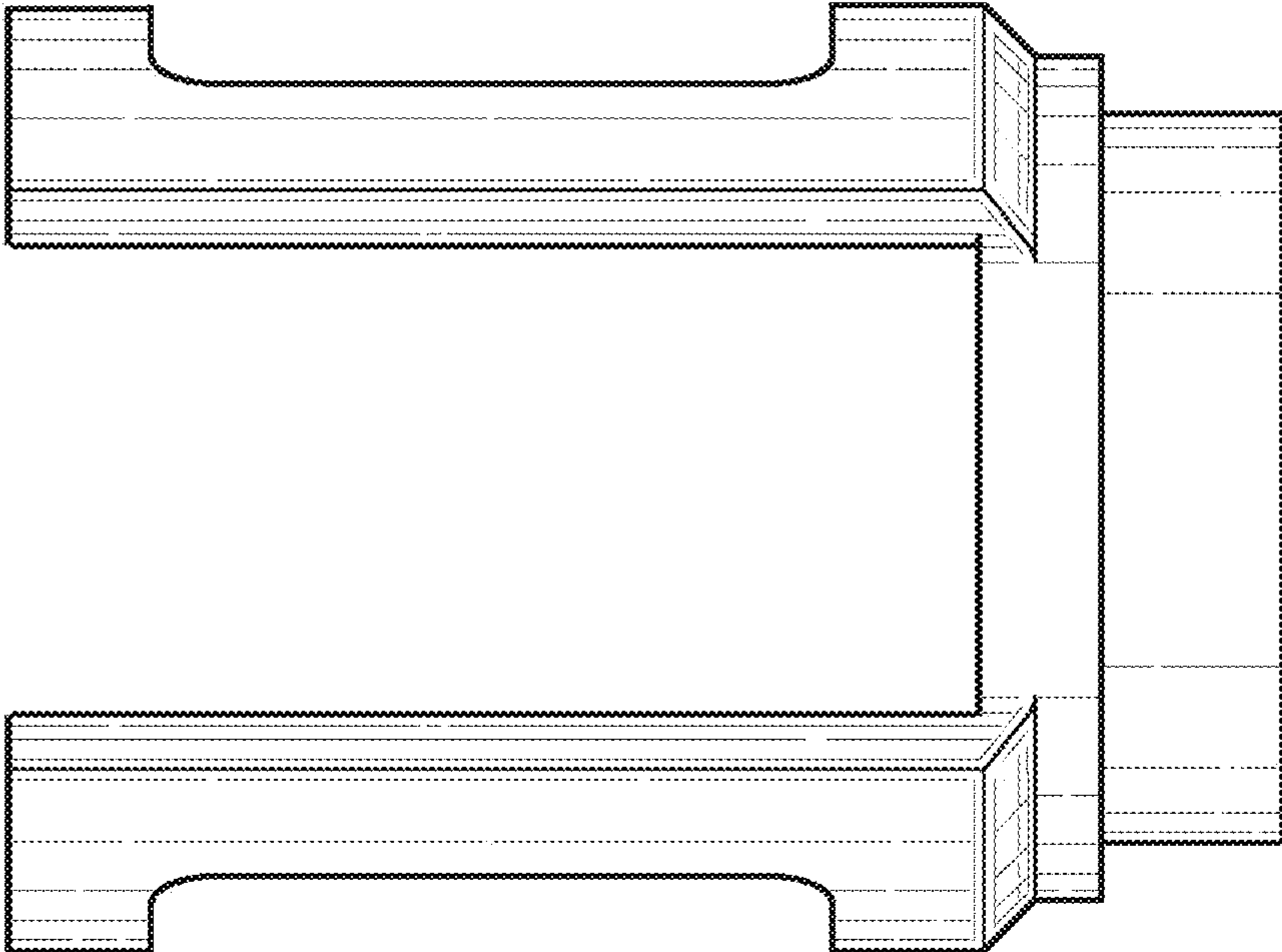


FIG. 2

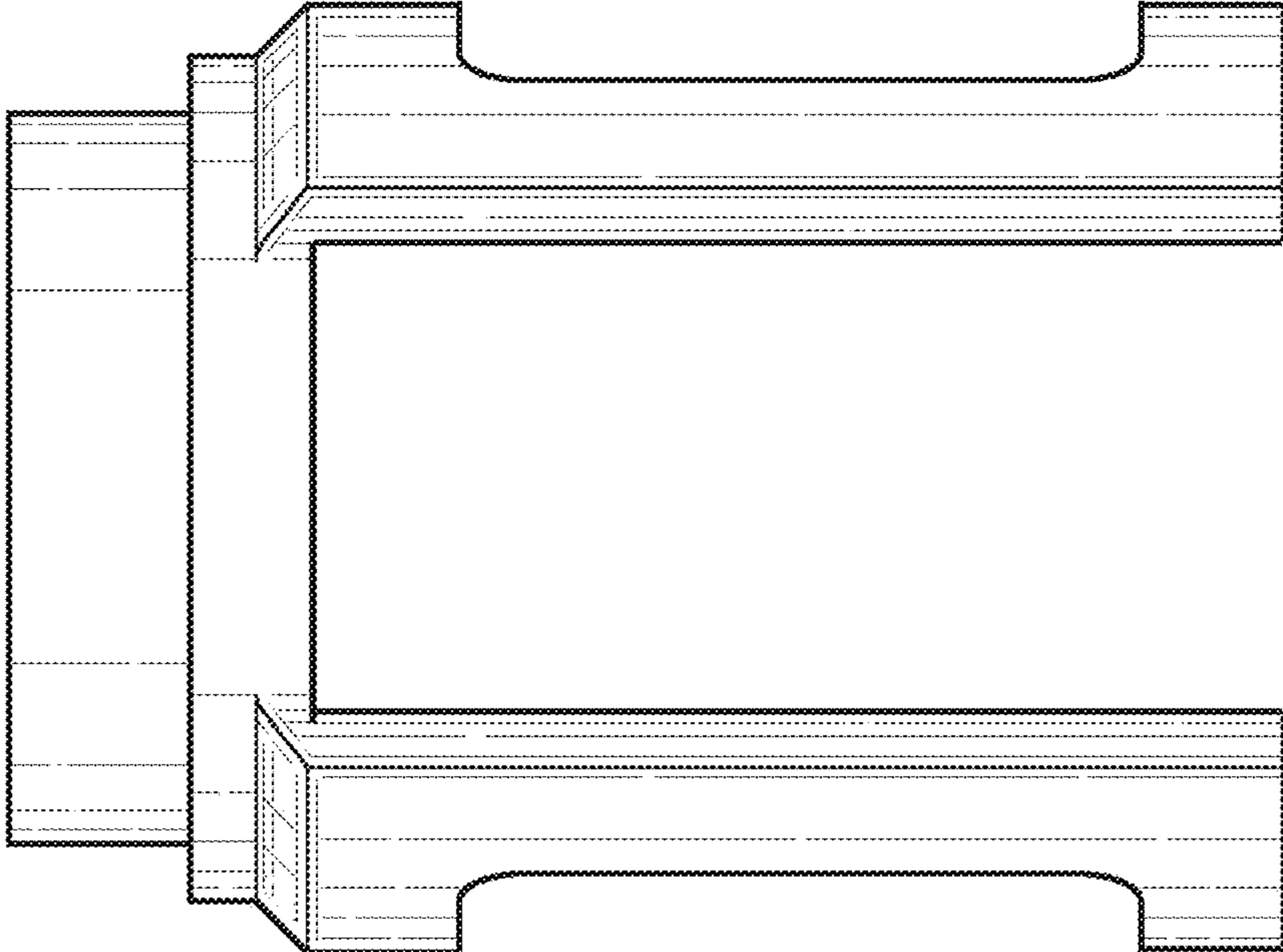


FIG. 3

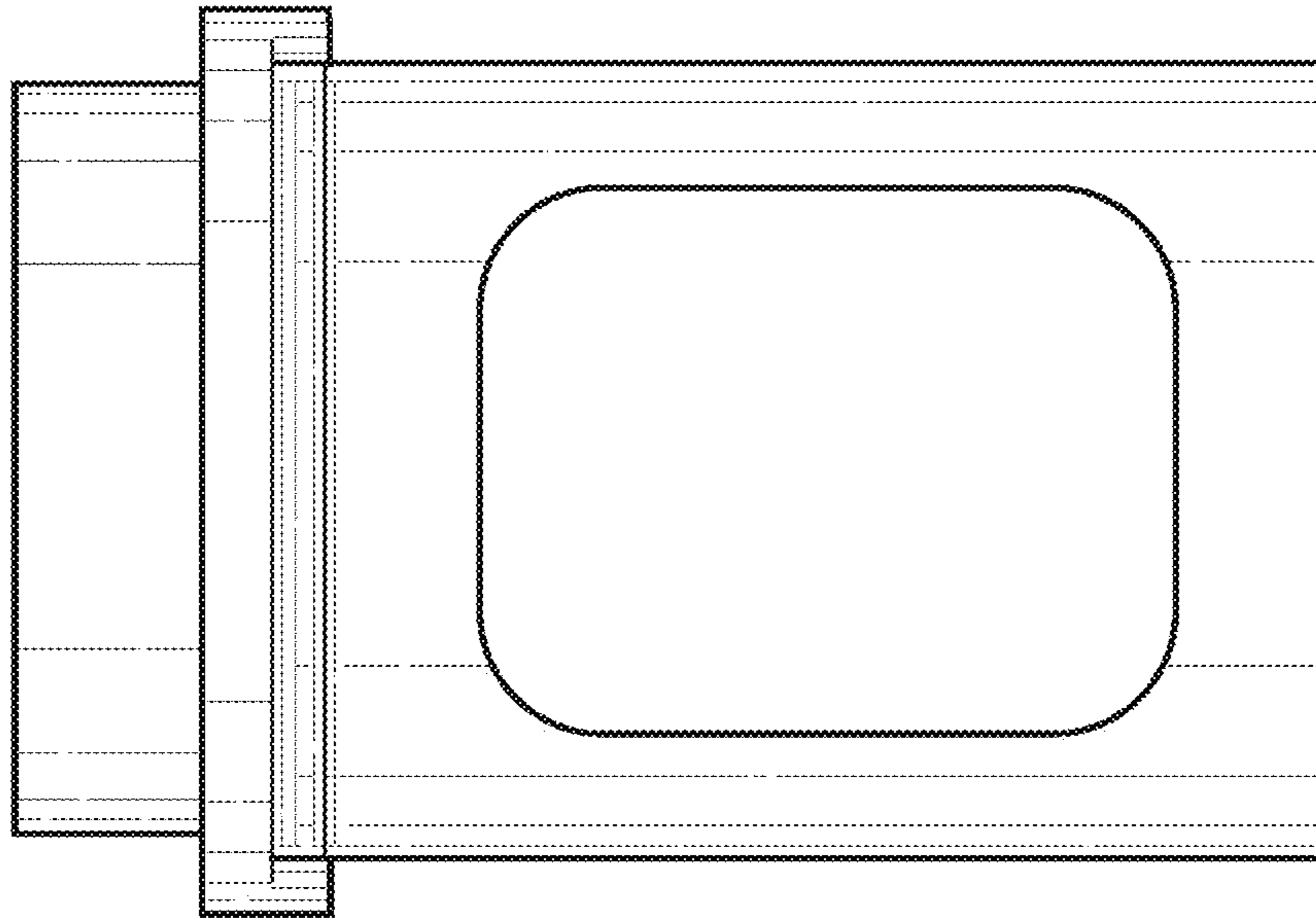


FIG. 4

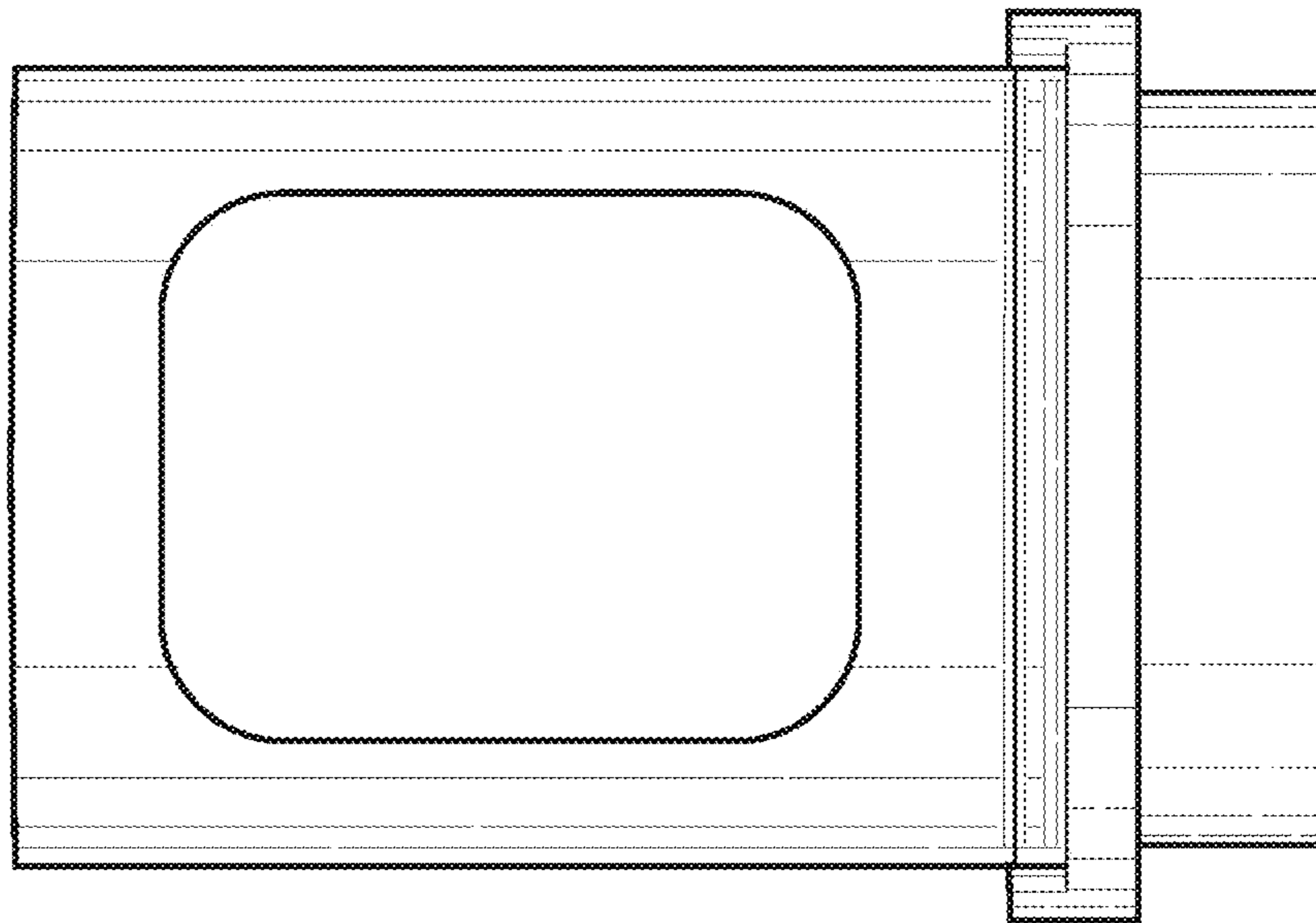


FIG. 5

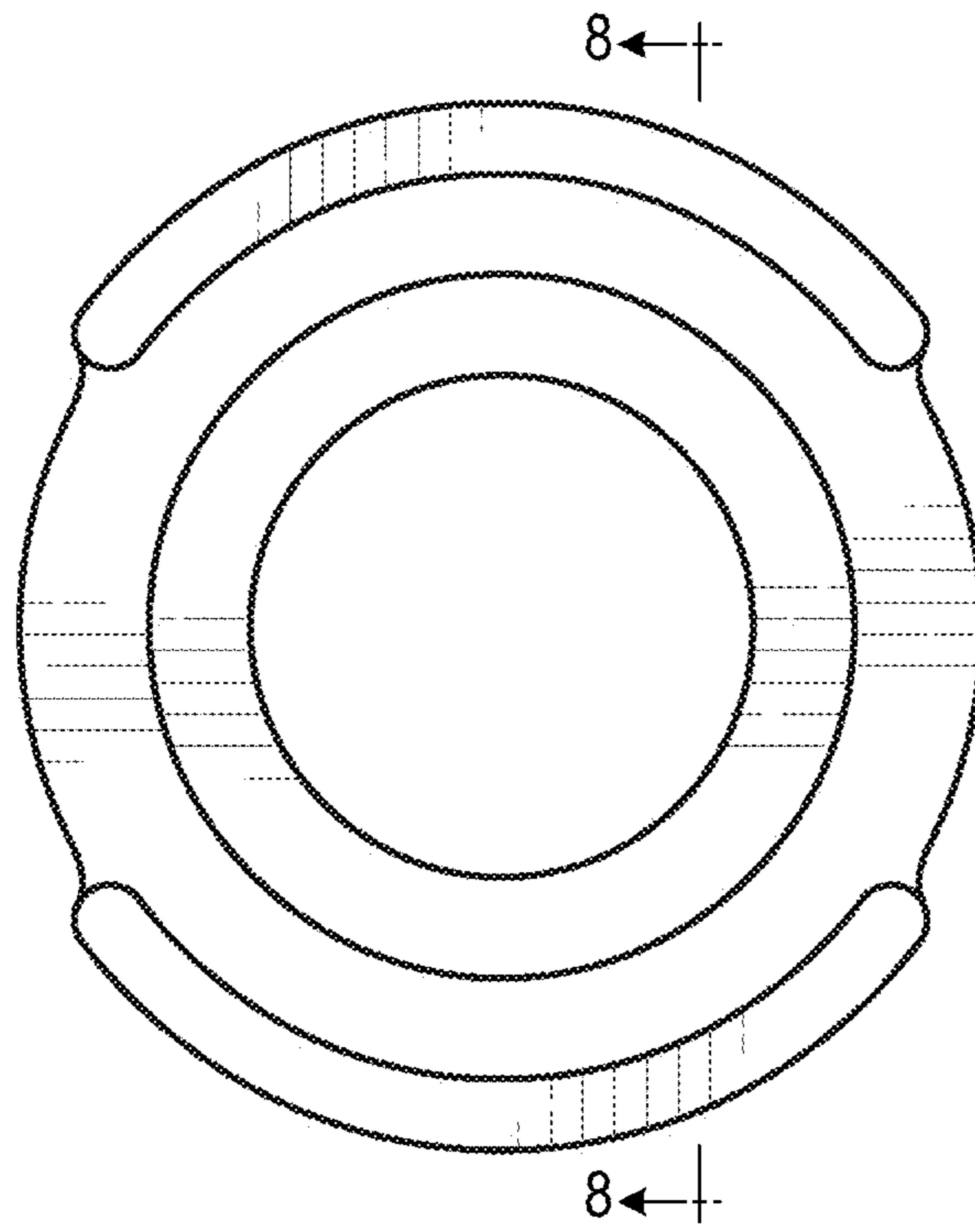


FIG. 6

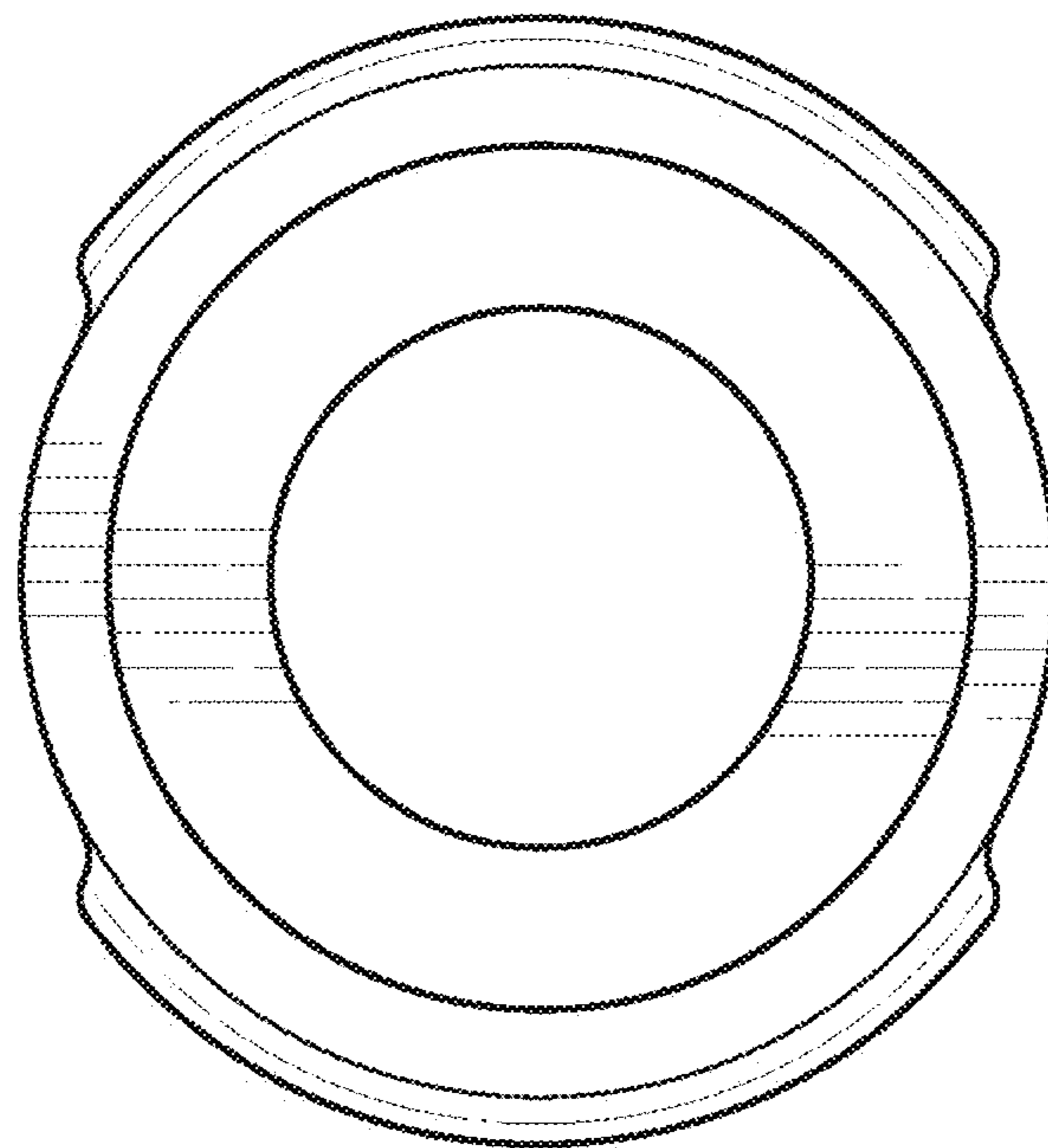


FIG. 7

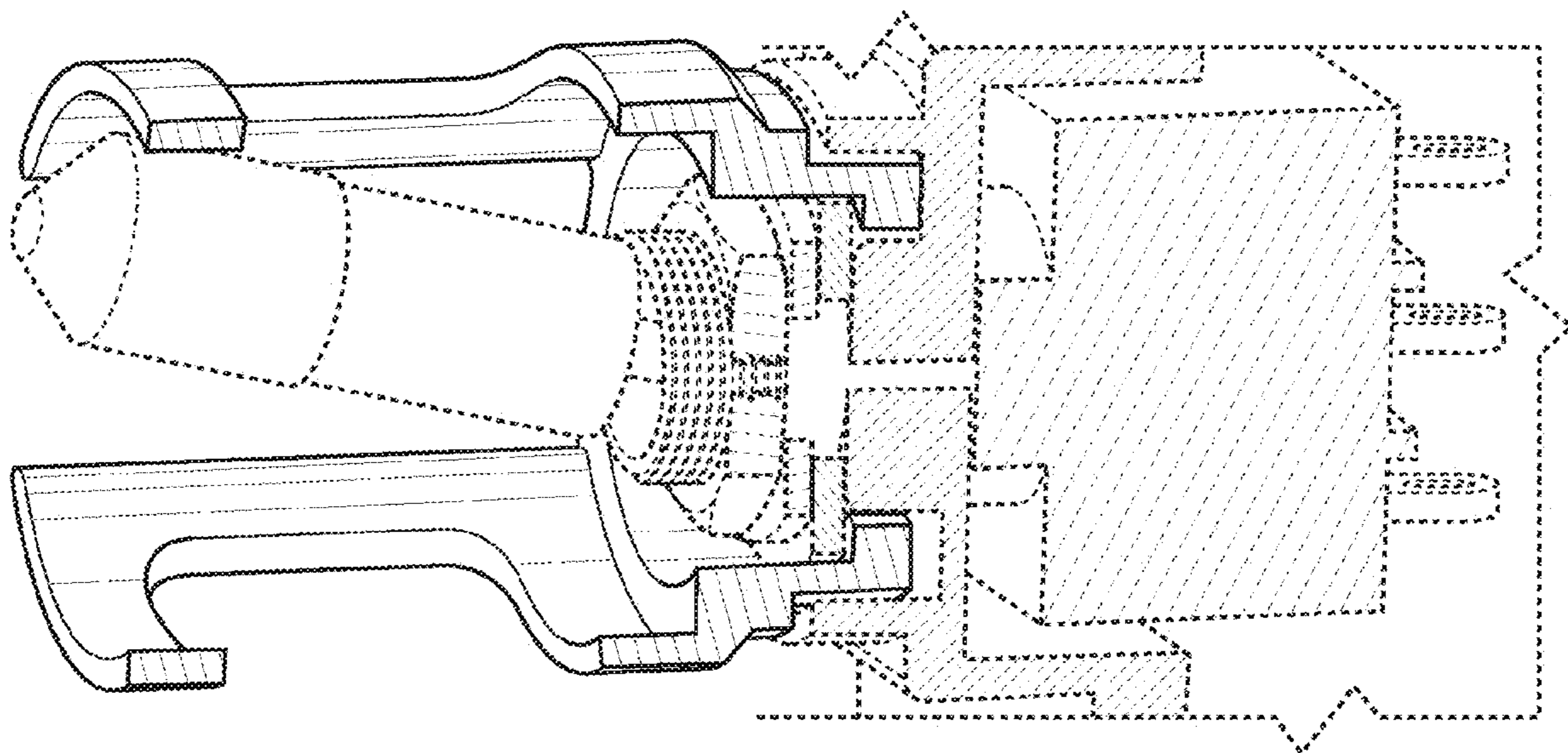


FIG. 8