



US00D989718S

(12) **United States Design Patent**  
**Hsu**

(10) **Patent No.:** **US D989,718 S**  
(45) **Date of Patent:** **\*\* Jun. 20, 2023**

- (54) **REMOTE CONTROL FOR SICKBED**
- (71) Applicant: **NANTONG SHUNLONG PHYSICAL THERAPY EQUIPMENT CO., LTD.,**  
Rugao (CN)
- (72) Inventor: **Cheng-Hung Hsu, New Taipei (TW)**
- (73) Assignee: **SHANGHAI SHUNLONG PHYSICAL THERAPY EQUIPMENT CO., Shanghai (CN)**
- (\*\*) Term: **15 Years**
- (21) Appl. No.: **29/811,808**
- (22) Filed: **Oct. 17, 2021**
- (51) **LOC (14) Cl.** ..... **14-03**
- (52) **U.S. Cl.**  
USPC ..... **D13/168**
- (58) **Field of Classification Search**  
USPC ..... D13/168; D14/218; D24/200  
CPC ..... G08C 17/02; G08C 19/00; G08C 19/12;  
G08C 19/28; G08C 23/04; H04B 1/202;  
H05B 47/10; H03J 9/00; H03J 9/02;  
H03J 9/04; H03J 9/06; H03J 1/0025;  
H01H 9/0225; H01H 9/0228; H01H  
9/0235; A47C 31/008; A61G 13/02  
See application file for complete search history.

D868,038 S *	11/2019	Chen	.....	D14/218
D868,039 S *	11/2019	Chen	.....	D14/218
D879,054 S *	3/2020	Shen	.....	D13/168
D897,971 S *	10/2020	Chen	.....	D13/168
D939,453 S *	12/2021	Kennedy	.....	D13/168
11,571,071 B2 *	2/2023	Hosokawa	.....	A47C 20/041
2010/0213042 A1 *	8/2010	Smidt	.....	A47C 31/008 200/293
2016/0081866 A1 *	3/2016	Hille	.....	A47C 31/008 700/275
2020/0178702 A1 *	6/2020	Shiino	.....	A61G 7/002
2020/0253379 A1 *	8/2020	Song	.....	A47C 1/03211
2021/0204718 A1 *	7/2021	Ohno	.....	G05B 15/02
2022/0304478 A1 *	9/2022	Wang	.....	A47C 20/041

\* cited by examiner

*Primary Examiner* — Selina Sikder

(74) *Attorney, Agent, or Firm* — Pai Patent & Trademark Law Firm; Chao-Chang David Pai

(57) **CLAIM**

The ornamental design for a remote control for sickbed, as shown and described.

**DESCRIPTION**

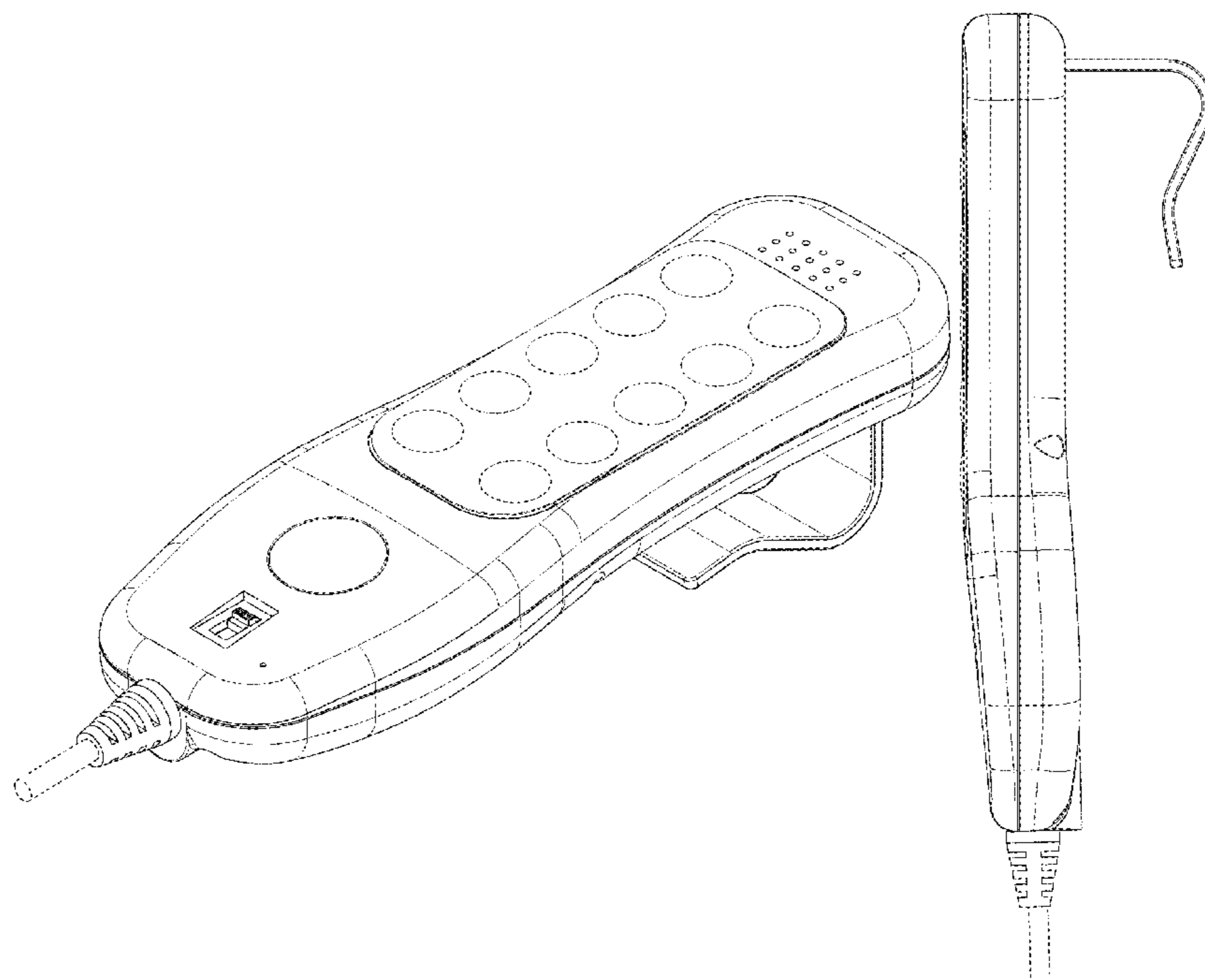
FIG. 1 is a perspective view from the front of a remote control for sickbed showing my new design;  
 FIG. 2 is a front elevational view thereof;  
 FIG. 3 is a rear elevational view thereof;  
 FIG. 4 is a top plan view thereof;  
 FIG. 5 is a bottom plan view thereof;  
 FIG. 6 is a left side elevational view thereof;  
 FIG. 7 is a right side elevational view thereof; and,  
 FIG. 8 is a perspective view from the rear thereof.  
 The broken lines show portions of the remote control for sickbed that form no part of the claimed design.

**1 Claim, 5 Drawing Sheets**

(56) **References Cited**

U.S. PATENT DOCUMENTS

D572,205 S *	7/2008	Landerholm	.....	D13/168
D817,279 S *	5/2018	Lin	.....	D13/168
D860,144 S *	9/2019	Zhuang	.....	D13/168
D868,037 S *	11/2019	Zhuang	.....	D14/218



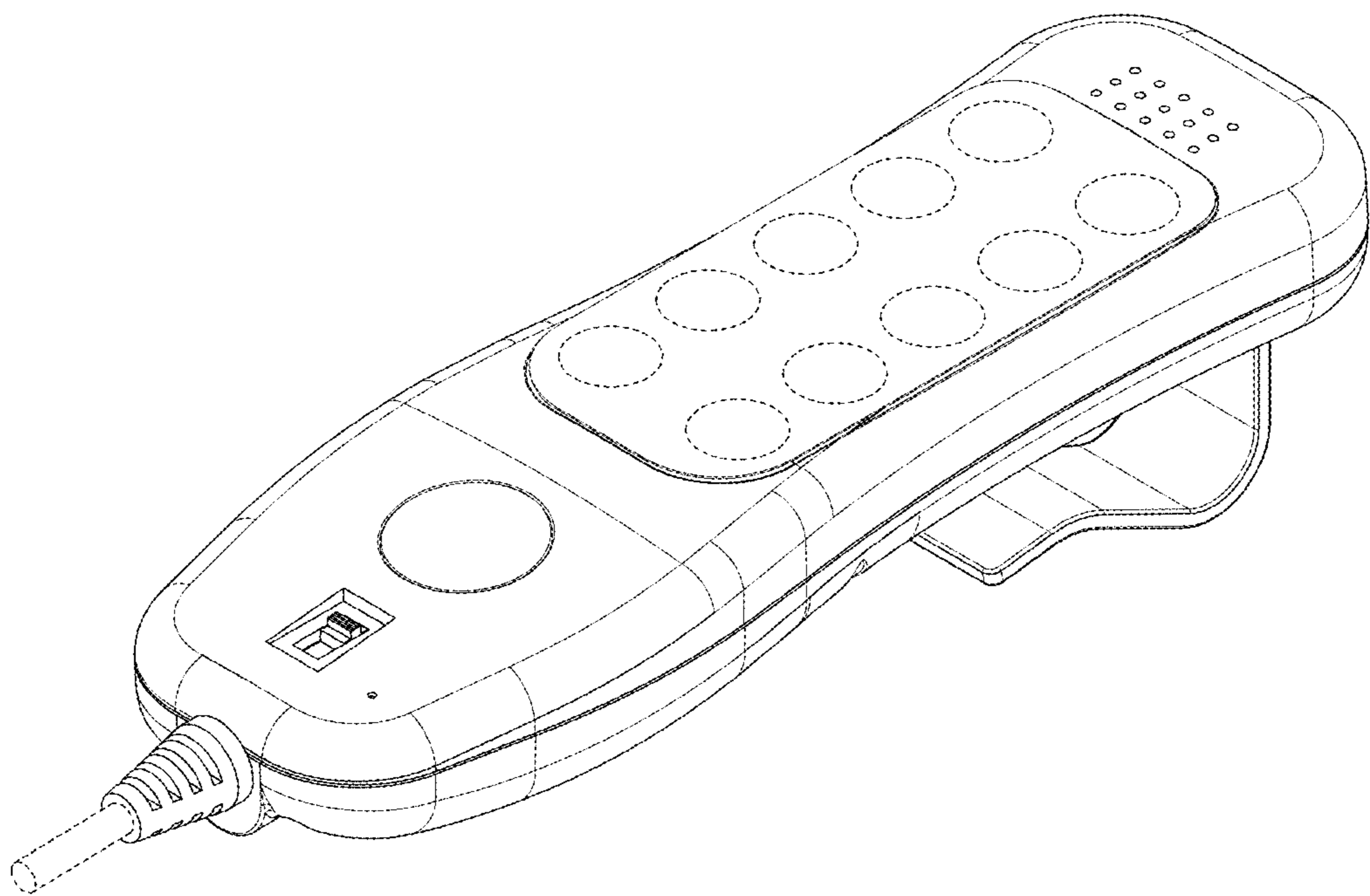


FIG. 1

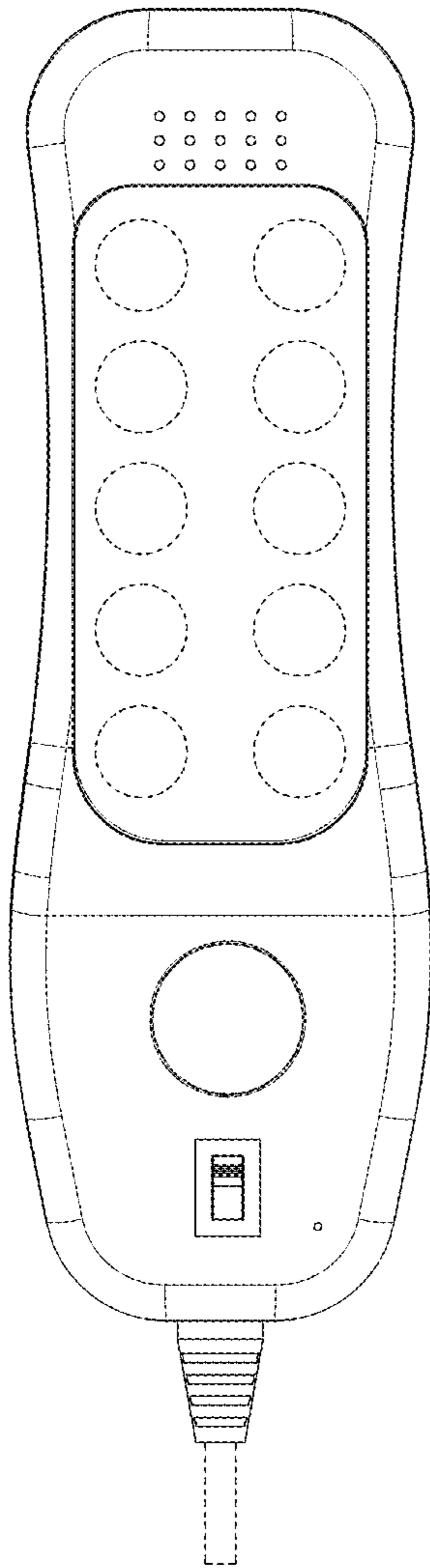


FIG. 2

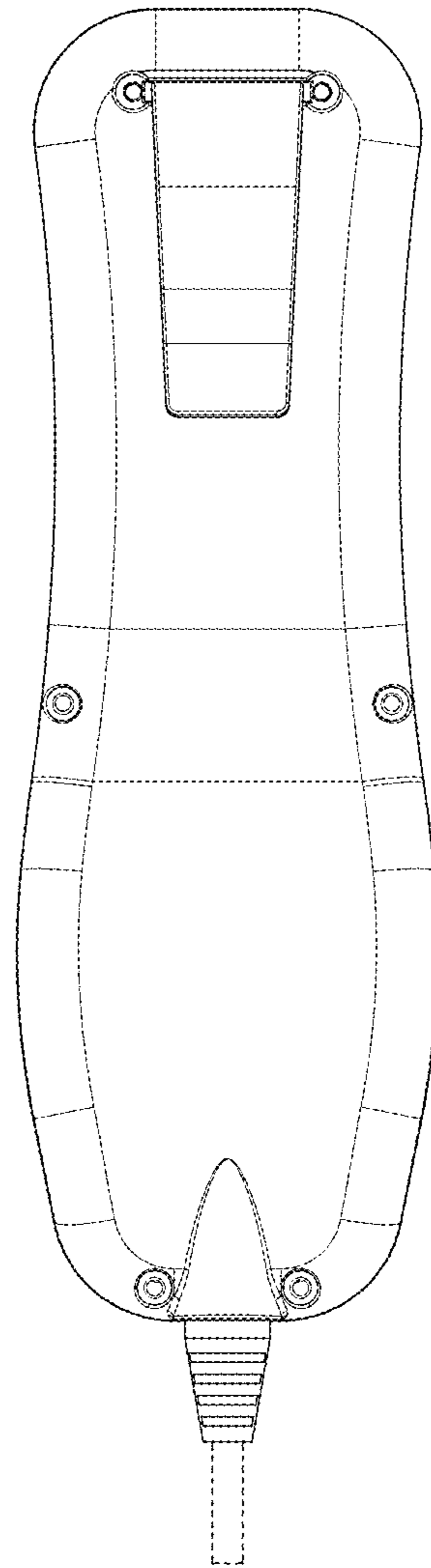


FIG. 3

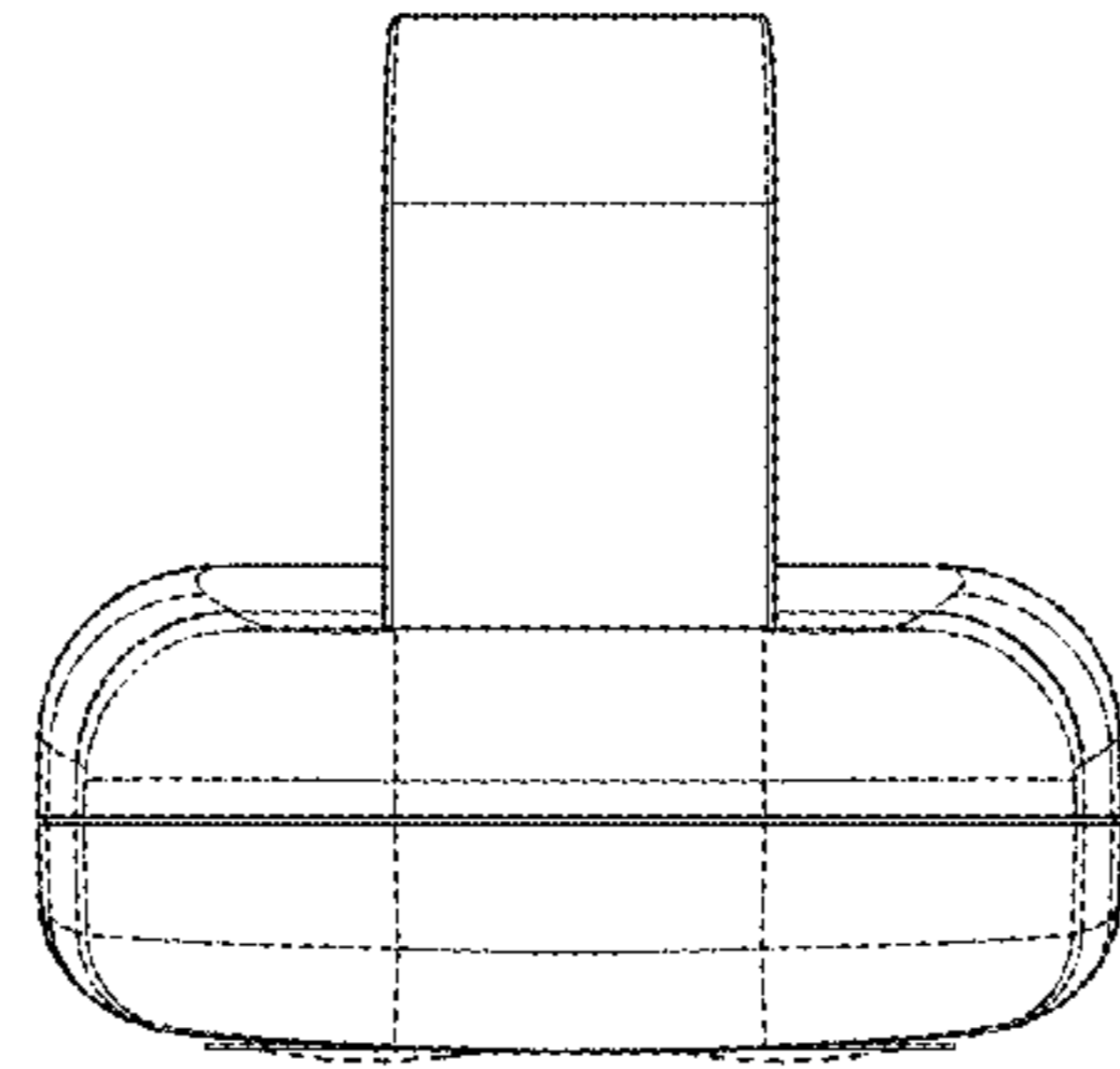


FIG. 4

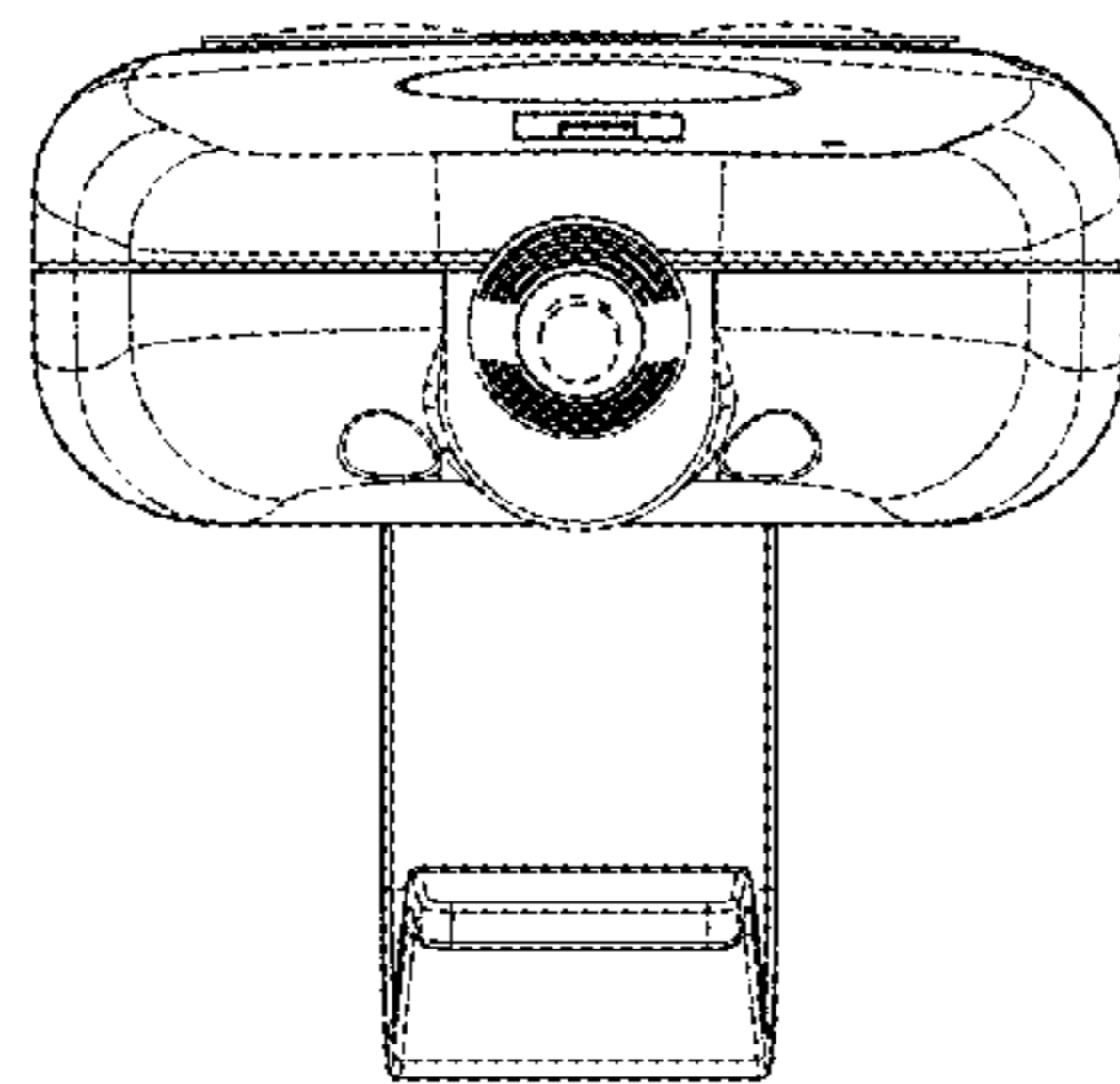


FIG. 5

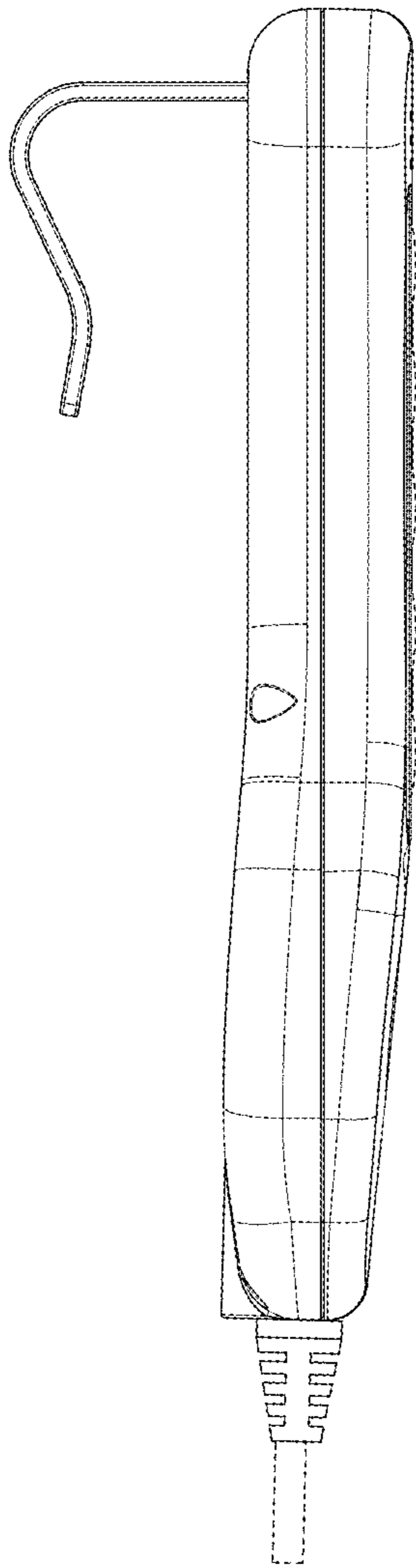


FIG. 6

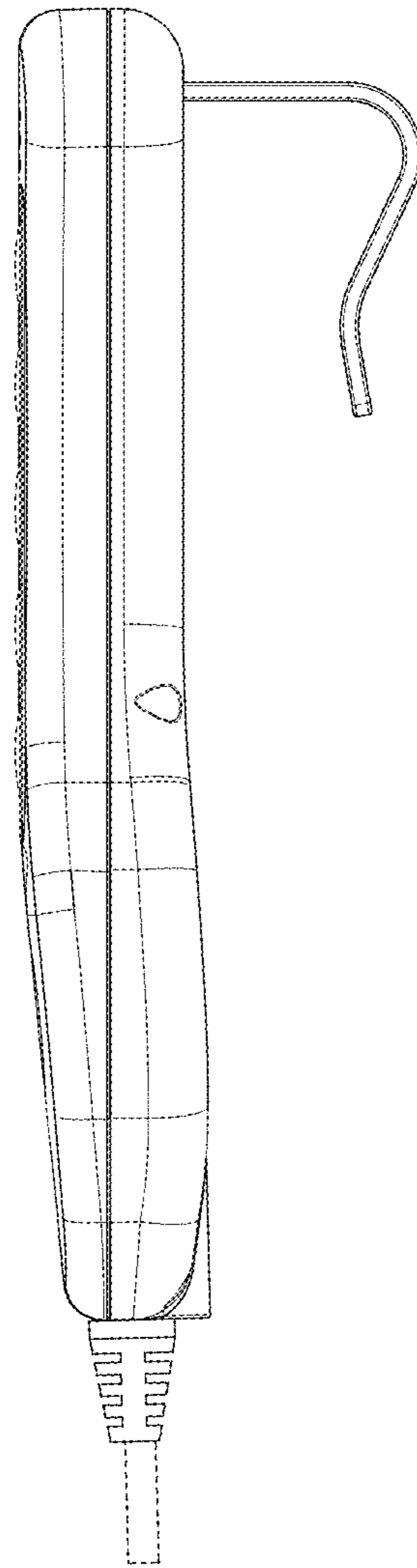


FIG. 7

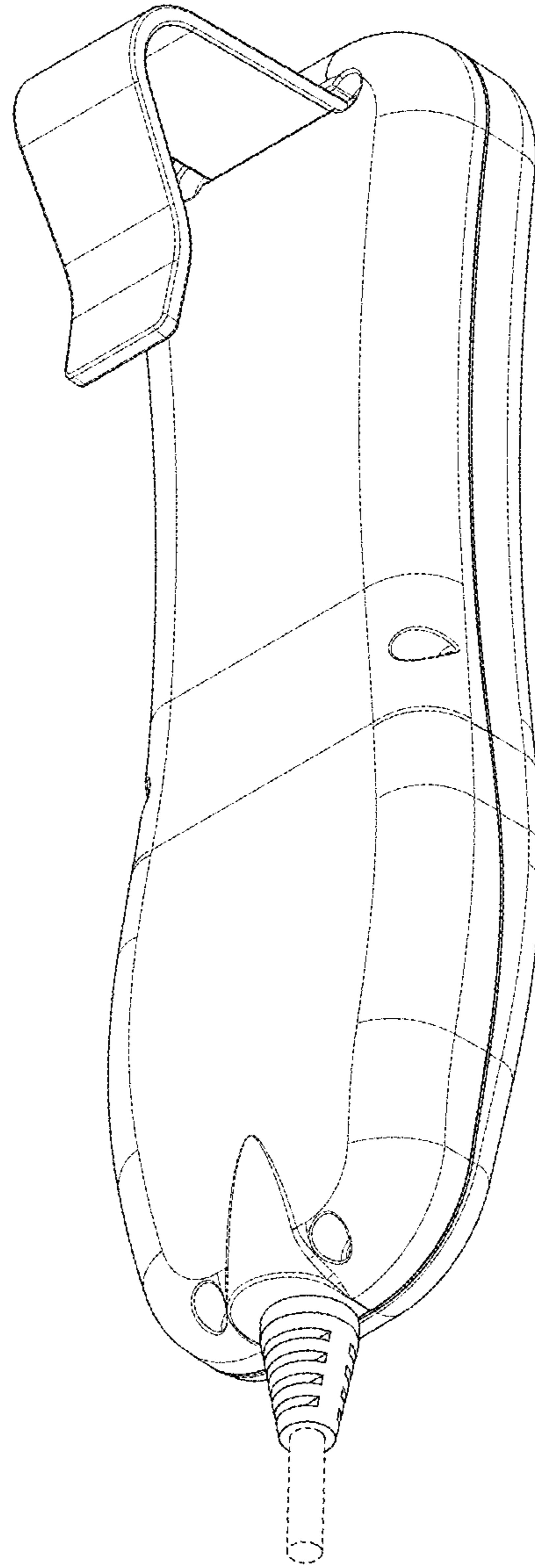


FIG. 8