



US00D989714S

(12) **United States Design Patent**
Nagase

(10) **Patent No.:** **US D989,714 S**
(45) **Date of Patent:** **** Jun. 20, 2023**

(54) **ELECTRIC CONNECTOR**
(71) Applicant: **OMRON Corporation**, Kyoto (JP)
(72) Inventor: **Masao Nagase**, Okayama (JP)
(73) Assignee: **OMRON Corporation**, Kyoto (JP)
(**) Term: **15 Years**

8,460,024 B2 * 6/2013 Damodharan H01R 13/502
439/941
D721,039 S * 1/2015 Hoshino D13/147
D751,505 S * 3/2016 Katagiyama D13/133
9,282,680 B2 * 3/2016 Murphy H01R 13/502
D778,838 S * 2/2017 Dobler D13/133
D839,213 S * 1/2019 Maroney D13/133
10,236,621 B2 * 3/2019 Williams H01R 13/5219
D868,699 S * 12/2019 Smajda D13/146
D904,306 S * 12/2020 Blackburn D13/133
D923,575 S * 6/2021 Zou D13/133

(21) Appl. No.: **29/777,794**

* cited by examiner

(22) Filed: **Apr. 8, 2021**

Primary Examiner — S. Bryan Reinholdt, Jr.

Assistant Examiner — Leah E Hoferkamp

(30) **Foreign Application Priority Data**

(74) *Attorney, Agent, or Firm* — Capitol City TechLaw

Nov. 25, 2020 (JP) 2020-025384 D

(51) **LOC (14) Cl.** **13-03**

(52) **U.S. Cl.**
USPC **D13/133**

(58) **Field of Classification Search**
USPC ... D13/133, 101, 123, 146, 147, 153, 137.1,
D13/149

CPC G02B 6/38; G02B 6/38875; G02B 6/4284;
H01R 13/40; H01R 13/58; H01R 13/627;
H01R 13/66; H01R 31/06; H01R 24/00

See application file for complete search history.

(56) **References Cited**

U.S. PATENT DOCUMENTS

4,561,682 A * 12/1985 Tisserat F16L 37/144
D13/133
D399,188 S * 10/1998 Lin D13/146
D491,891 S * 6/2004 Conway D13/146
D585,837 S * 2/2009 Kuehne D13/154
D677,627 S * 3/2013 Dobler D13/133

(57) **CLAIM**

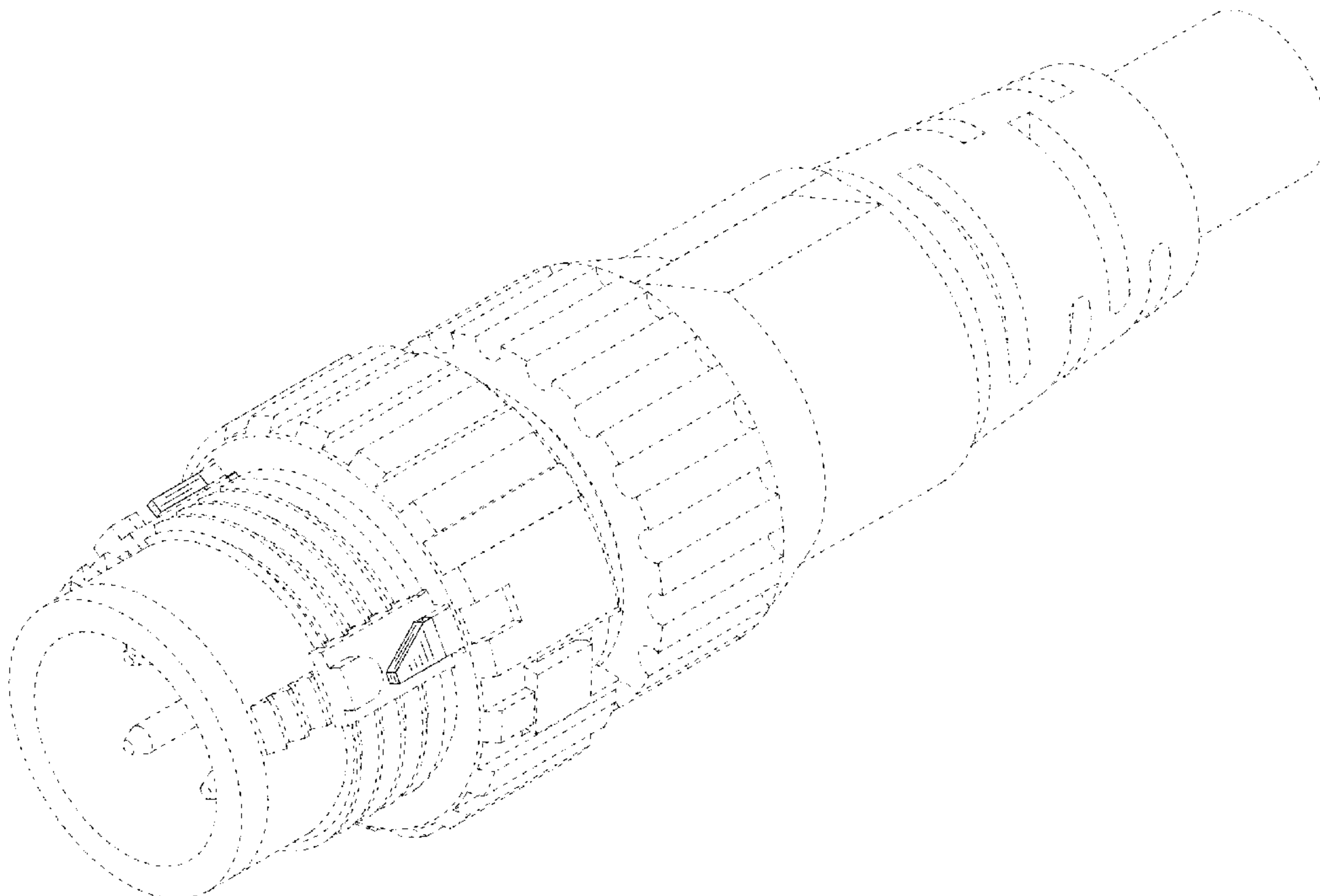
The ornamental design for an electric connector, as shown and described.

DESCRIPTION

FIG. 1 is a top, front, and left side perspective view of an electric connector showing my new design;
FIG. 2 is a top, rear, and right side perspective view thereof;
FIG. 3 is a front view thereof;
FIG. 4 is a rear view thereof;
FIG. 5 is a left side view thereof;
FIG. 6 is a right side view thereof;
FIG. 7 is a top view thereof; and,
FIG. 8 is a bottom view thereof.

The dashed broken lines in the figures show portions of the electric connector that form no part of the claimed design. The dot-dashed broken lines in the figures depict the bounds of the claim and form no part thereof.

1 Claim, 7 Drawing Sheets



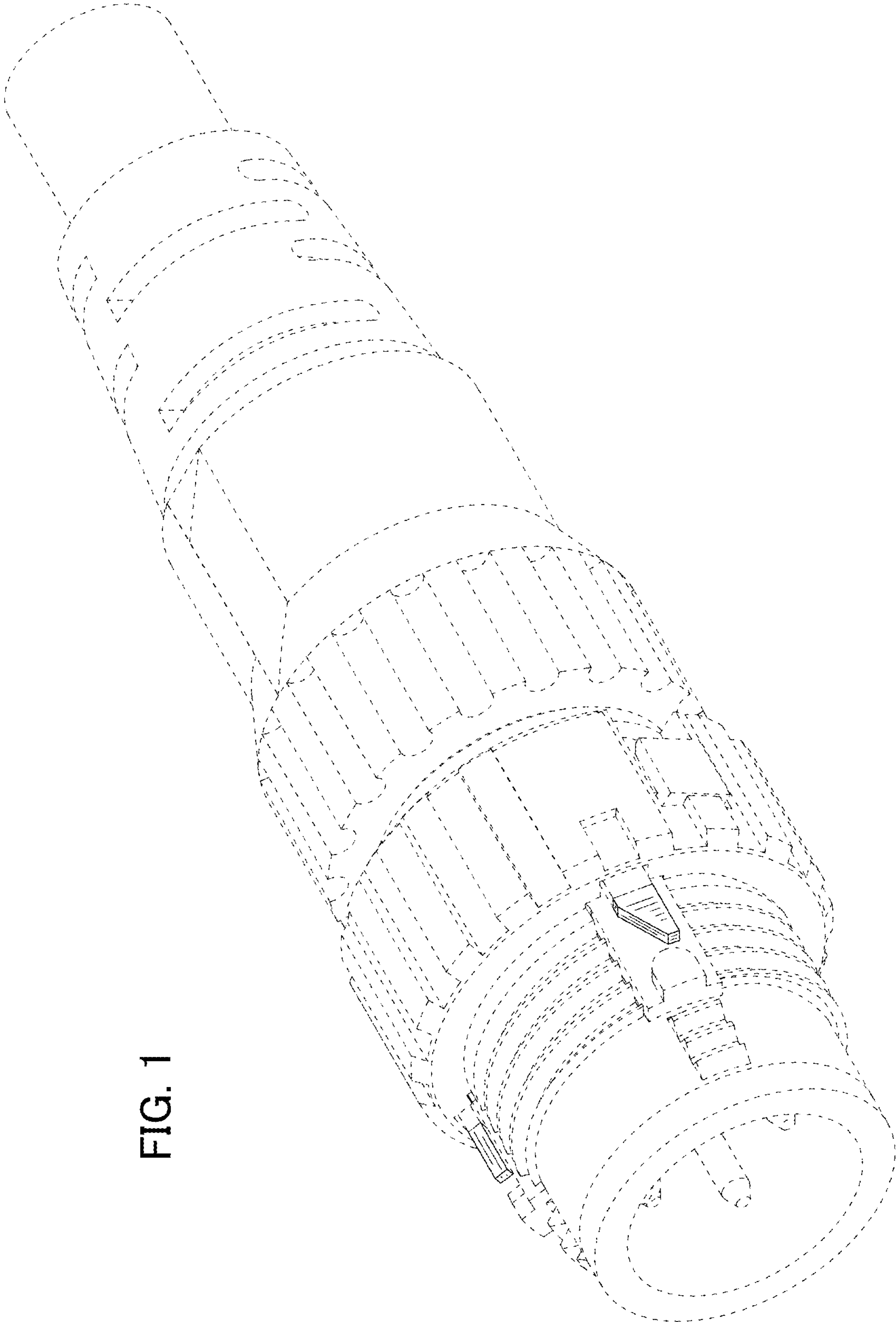


FIG. 1

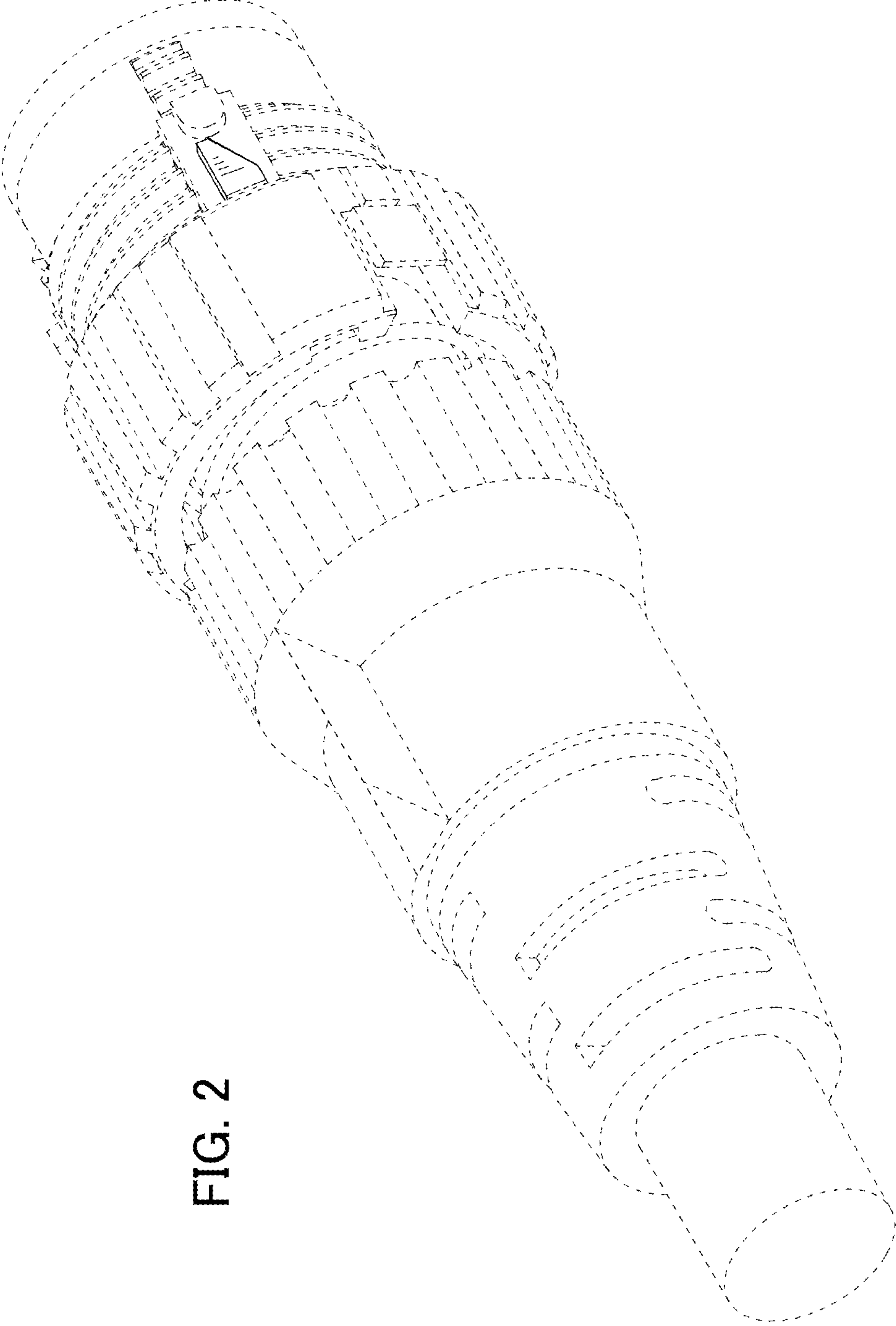
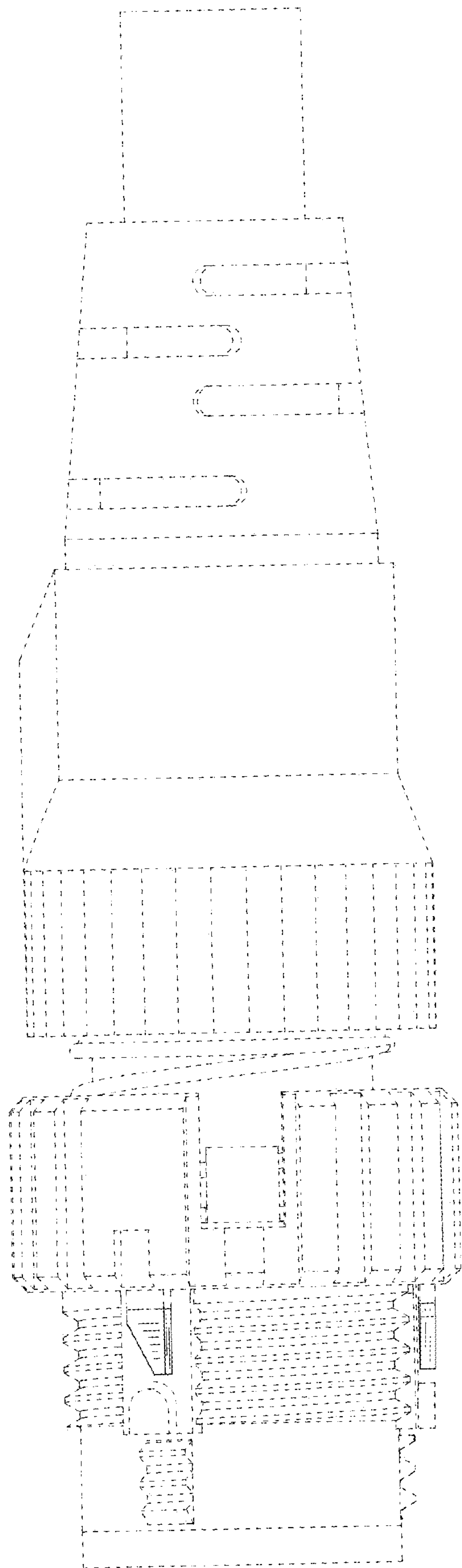


FIG. 2

FIG. 3



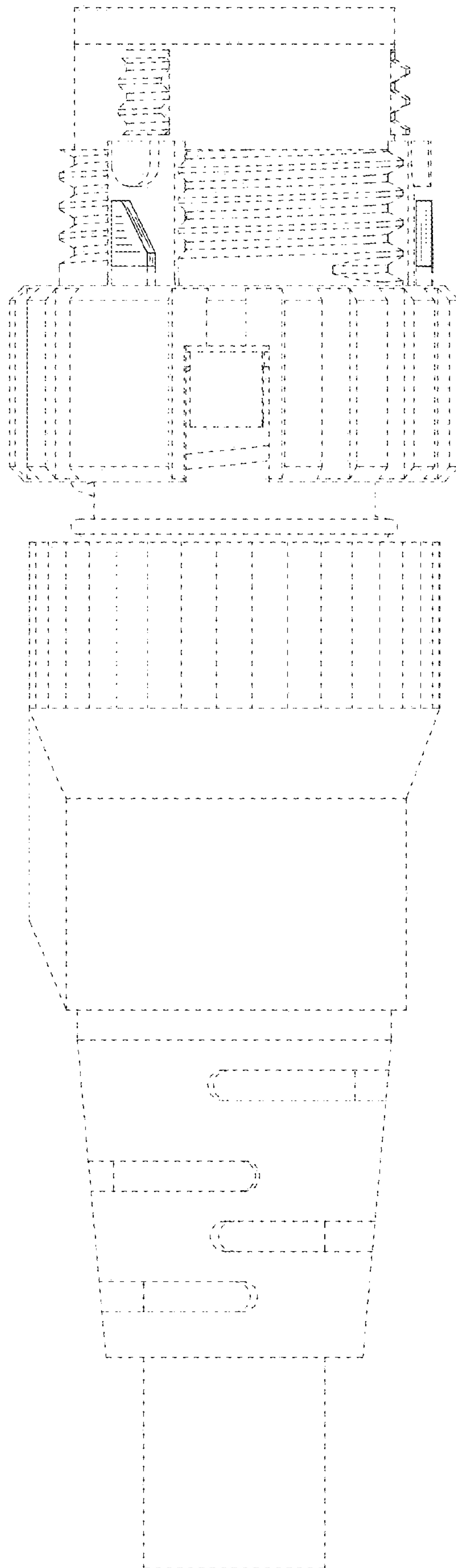


FIG. 4

FIG. 6

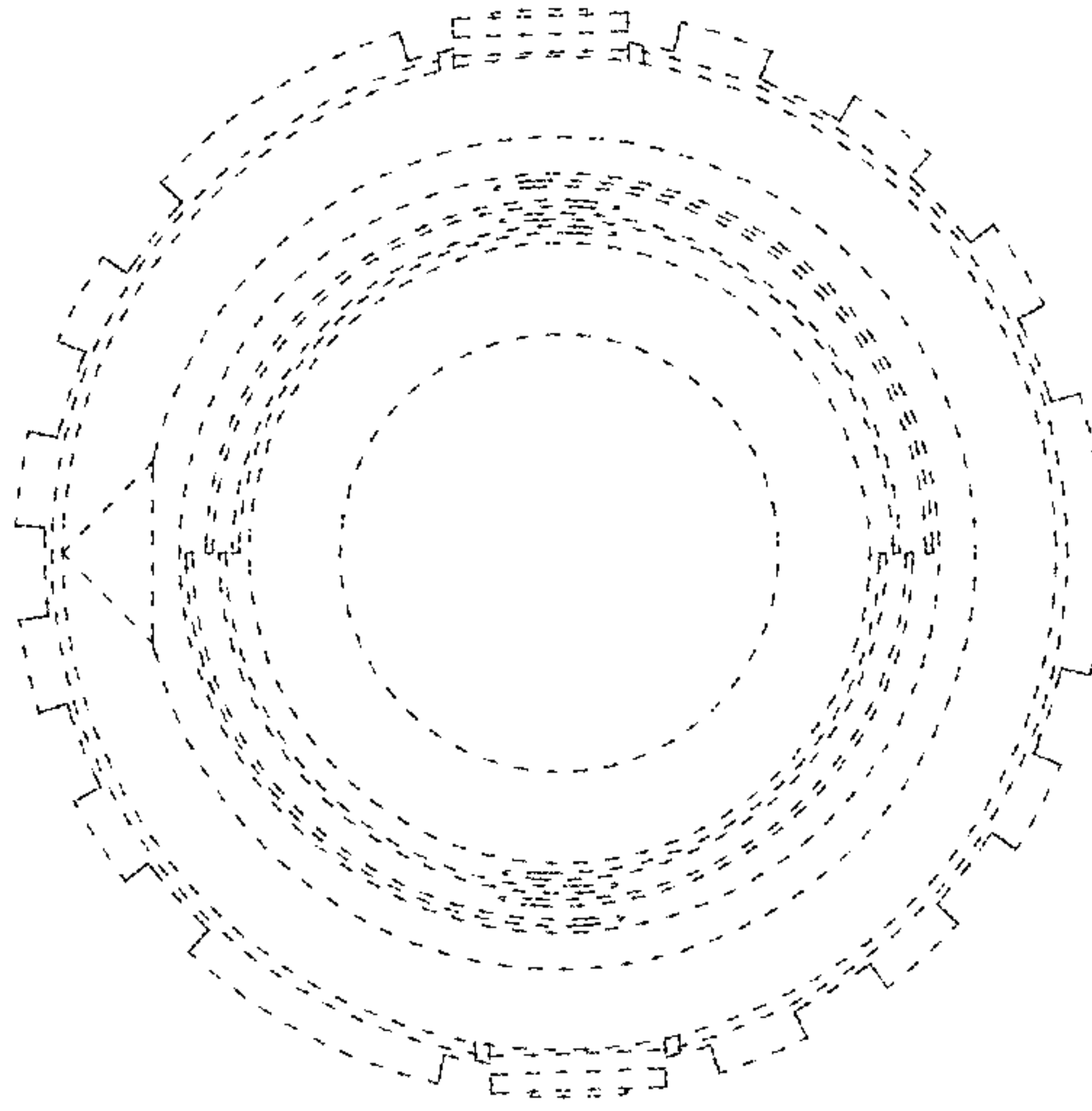
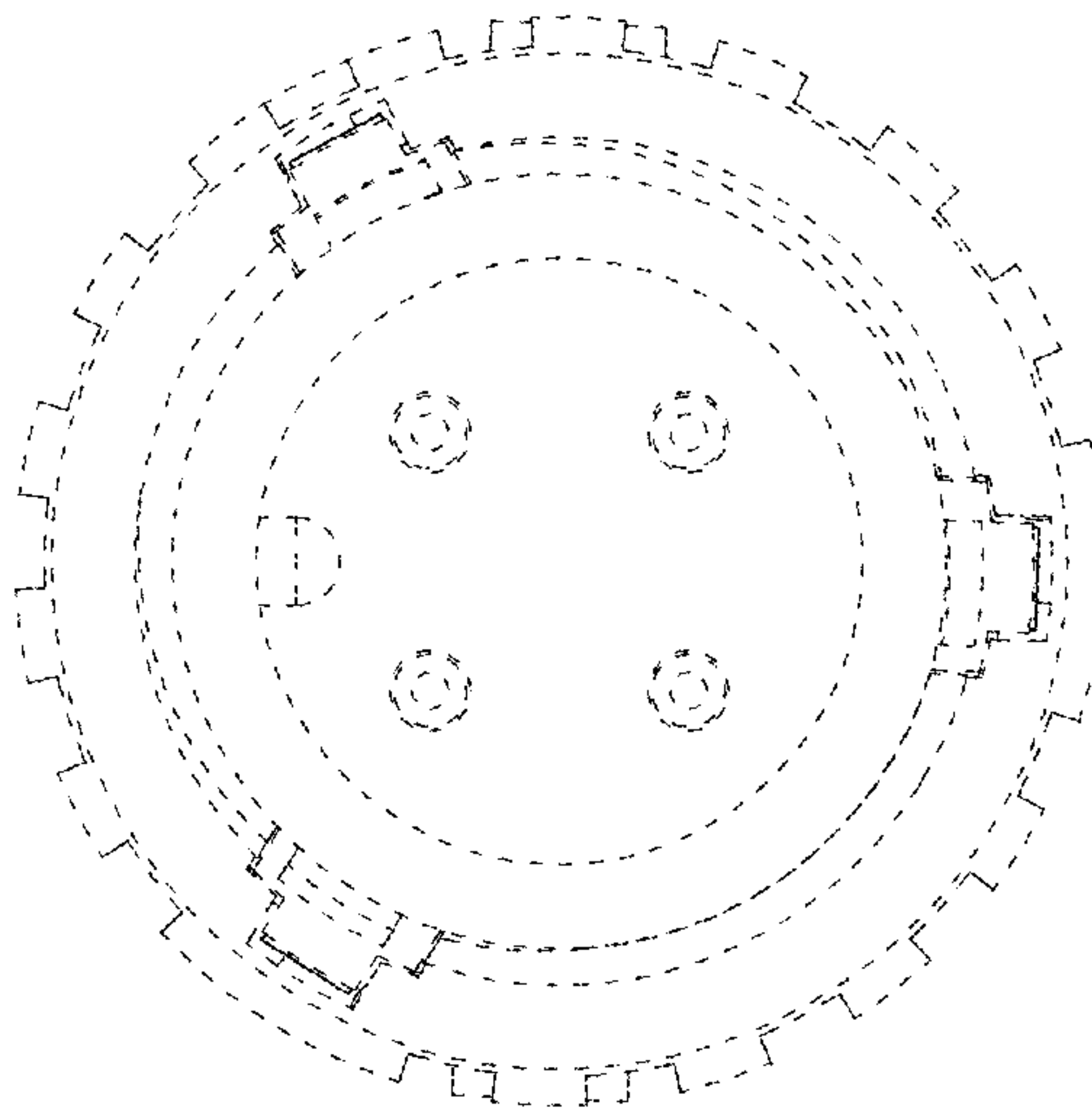


FIG. 5



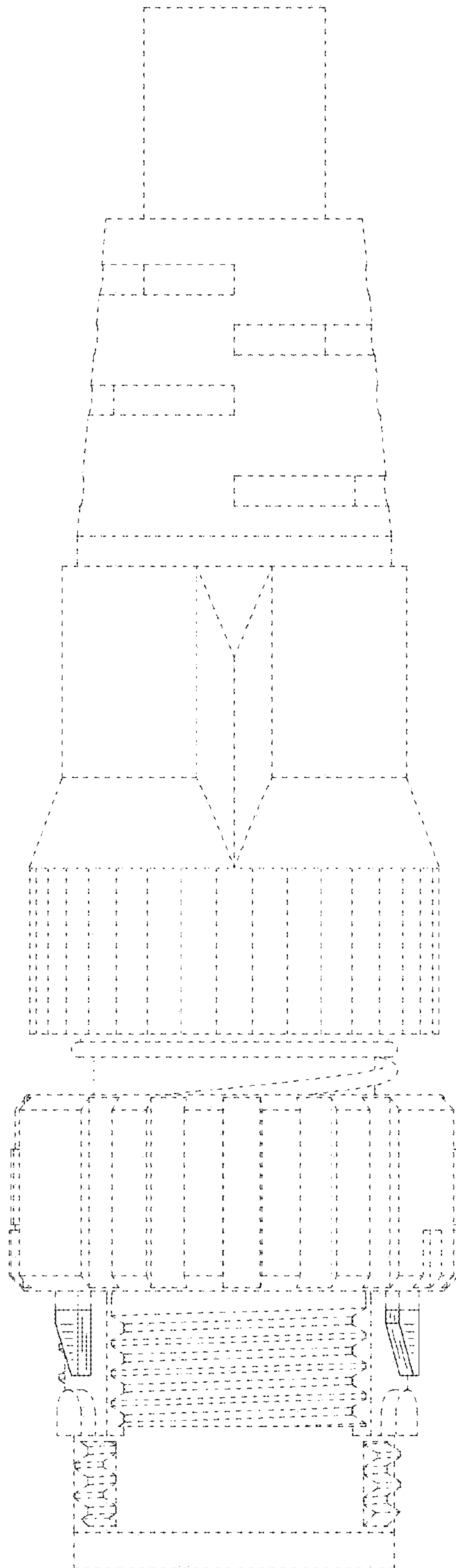


FIG. 7

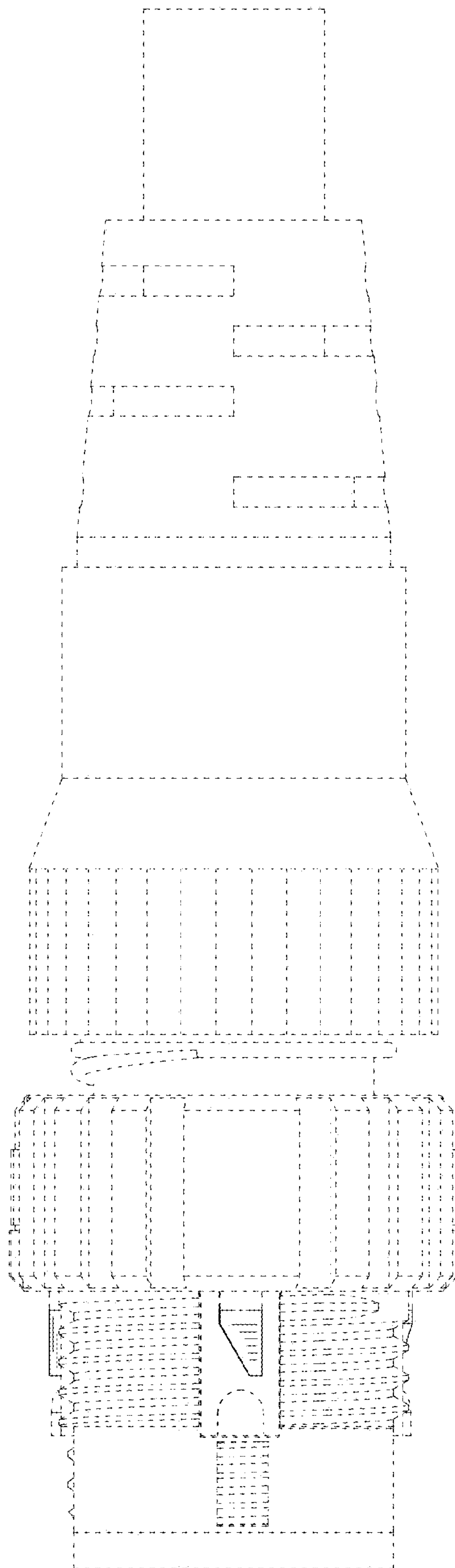


FIG. 8