



US00D989712S

(12) **United States Design Patent** (10) **Patent No.:** **US D989,712 S**
Oya (45) **Date of Patent:** **** Jun. 20, 2023**

(54) **ELECTRIC POWER UNIT**
(71) Applicant: **HONDA MOTOR CO., LTD.**, Tokyo (JP)
(72) Inventor: **Kazuto Oya**, Wako (JP)
(73) Assignee: **HONDA MOTOR CO., LTD.**, Tokyo (JP)
(**) Term: **15 Years**
(21) Appl. No.: **29/814,087**
(22) Filed: **Nov. 3, 2021**

D620,436 S * 7/2010 Pan D13/122
D712,834 S * 9/2014 Munro D13/116
D776,611 S * 1/2017 Thompson D13/103
D826,149 S * 8/2018 Cooper D13/103
D909,300 S * 2/2021 Boehnke D13/112
2012/0025766 A1* 2/2012 Reade G06F 1/3212
320/110

* cited by examiner

Primary Examiner — Derrick E Holland
(74) *Attorney, Agent, or Firm* — Birch, Stewart, Kolasch & Birch, LLP

(30) **Foreign Application Priority Data**
May 11, 2021 (JP) 2021-009827 D
(51) **LOC (14) Cl.** **13-01**
(52) **U.S. Cl.**
USPC **D13/122**
(58) **Field of Classification Search**
USPC D13/103, 108, 109, 110, 112, 114, 116,
D13/118, 119, 122, 123, 184, 199;
D15/1, 5, 199
CPC .. H02J 7/00; H02J 7/027; H02J 7/0042; H02J
7/0045; H02J 7/0047; H02J 7/0063;
H02M 7/00; H02M 7/003; H01M 2/202;
H01M 2/204; H01M 2/1022; H01M
2/342; H01M 10/48; H01M 10/0436;
H01M 10/4257; H05K 5/023
See application file for complete search history.

(57) **CLAIM**

The ornamental design for an electric power unit, as shown and described.

DESCRIPTION

FIG. 1 is a front and right perspective view of an electric power unit.
FIG. 2 is a front and left perspective view thereof.
FIG. 3 is a rear and right perspective view thereof.
FIG. 4 is a rear and left perspective view thereof.
FIG. 5 is a front elevation view thereof.
FIG. 6 is a rear elevation view thereof.
FIG. 7 is a right side elevation view thereof.
FIG. 8 is a left side elevation view thereof.
FIG. 9 is a top plan view thereof; and,
FIG. 10 is a bottom plan view thereof.
The broken lines shown in the drawings illustrate portions of the electric power unit that form no part of the claimed design.

(56) **References Cited**
U.S. PATENT DOCUMENTS
D173,547 S * 11/1954 Sundberg D13/112
D306,009 S * 2/1990 Mintz D13/112

1 Claim, 10 Drawing Sheets

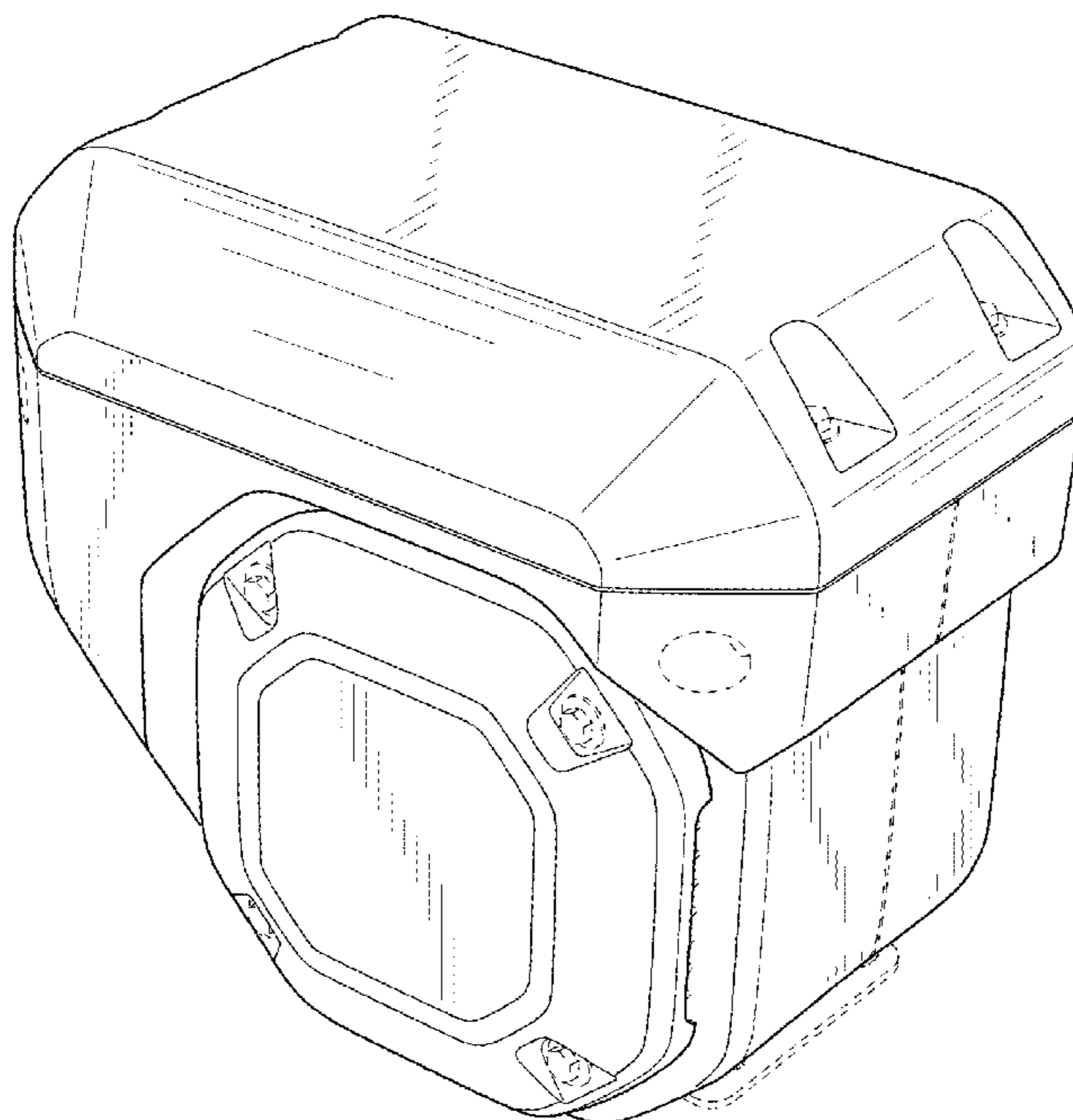


FIG. 1

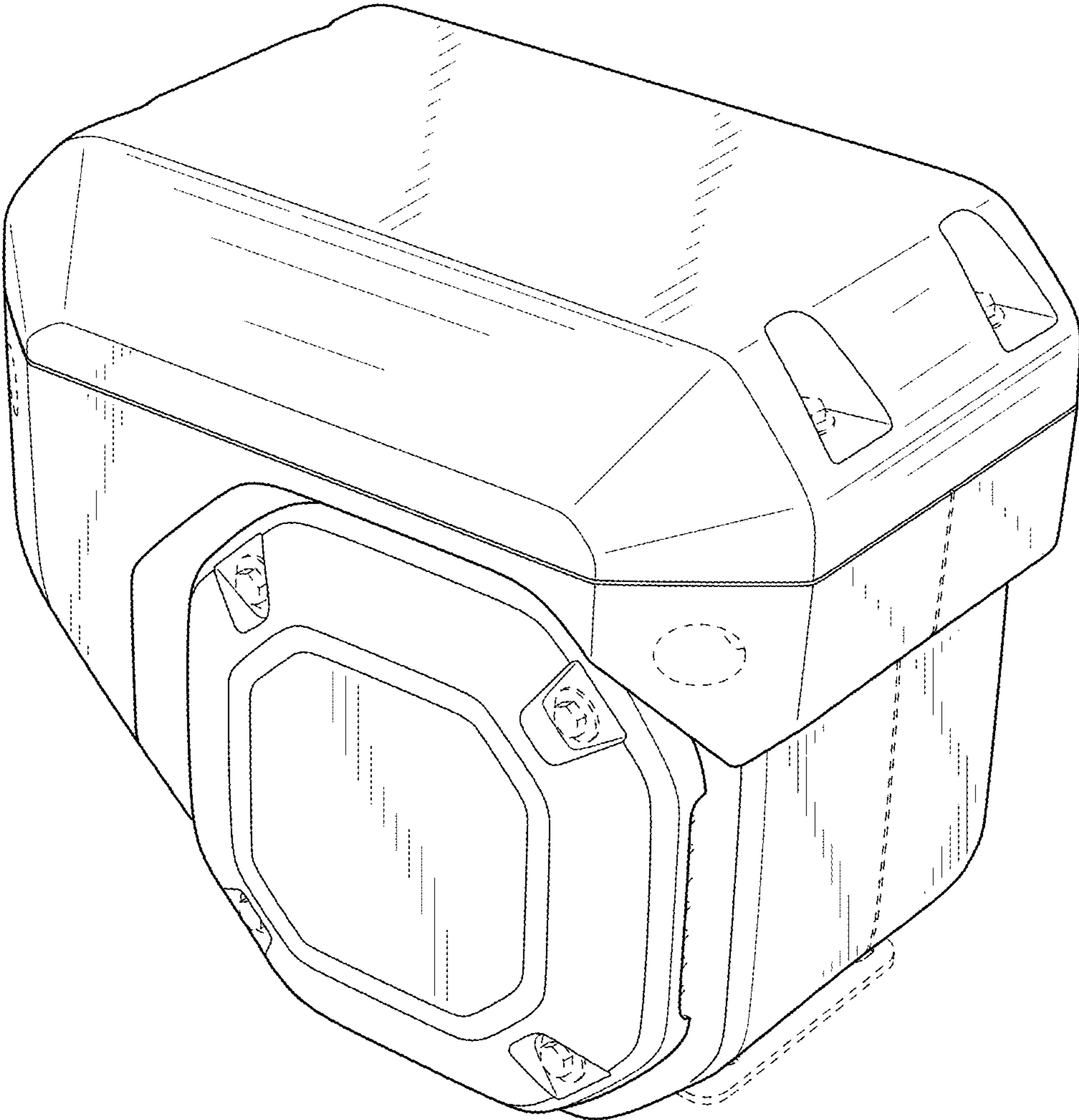


FIG. 2

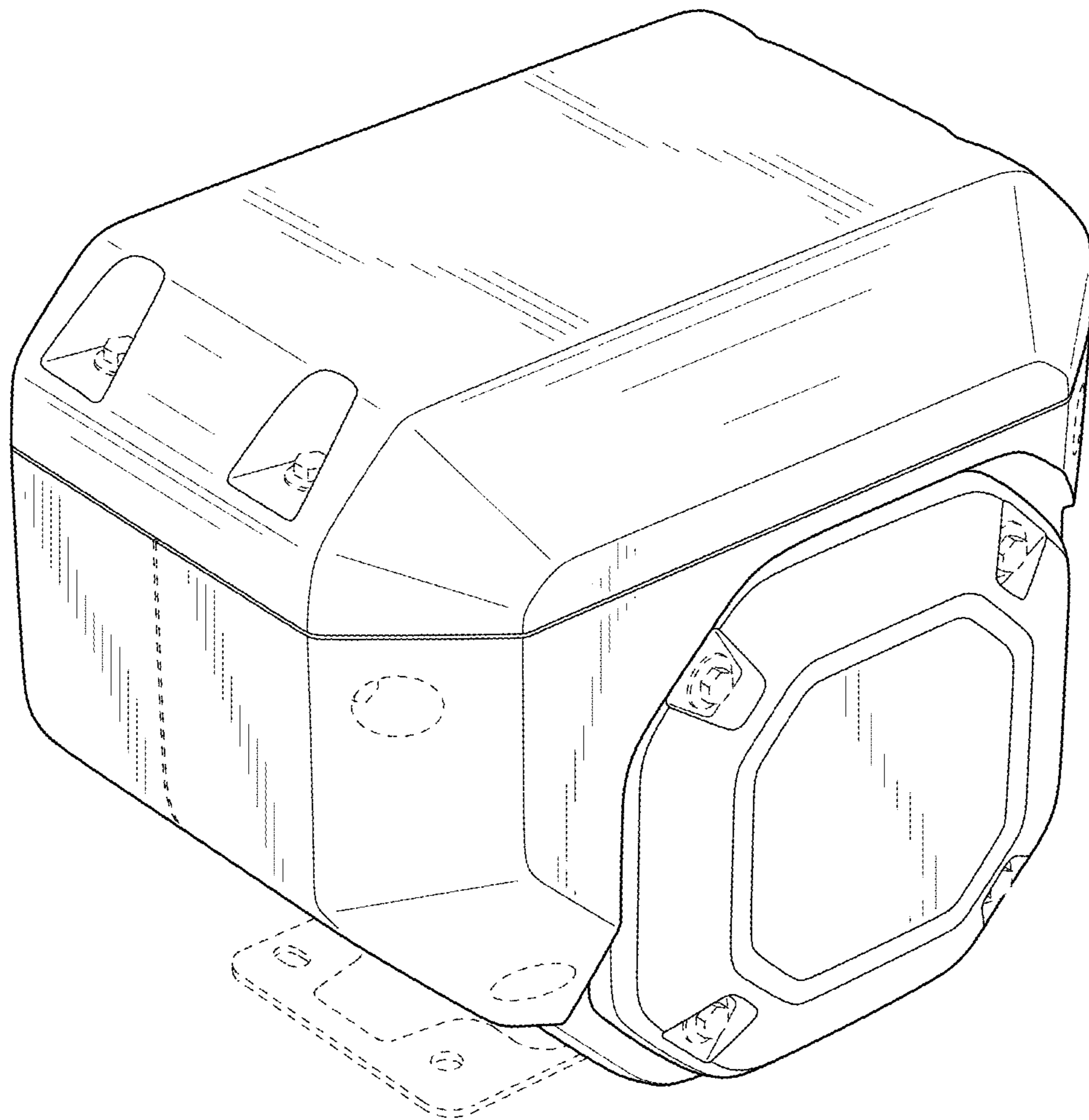


FIG. 3

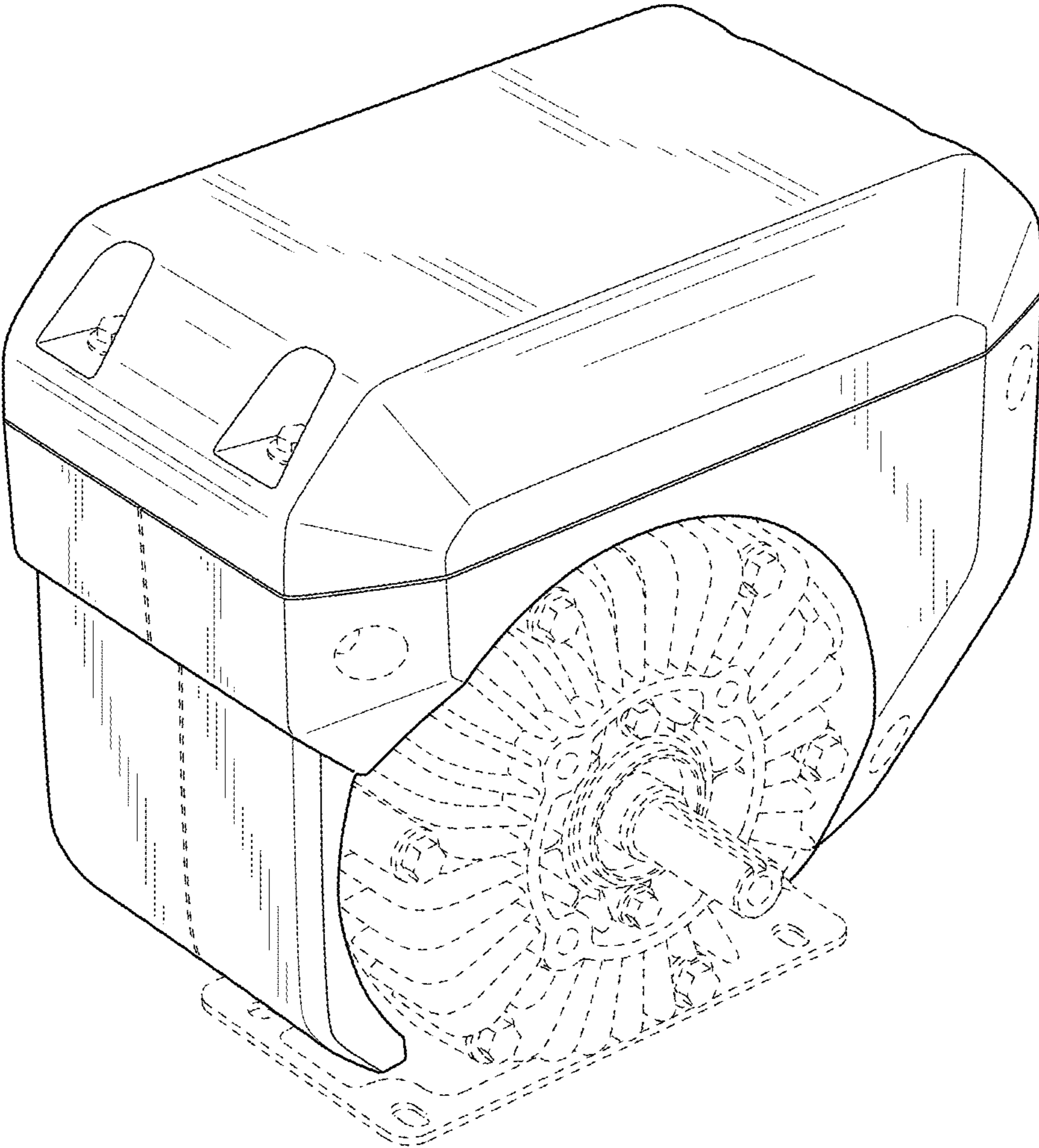


FIG. 4

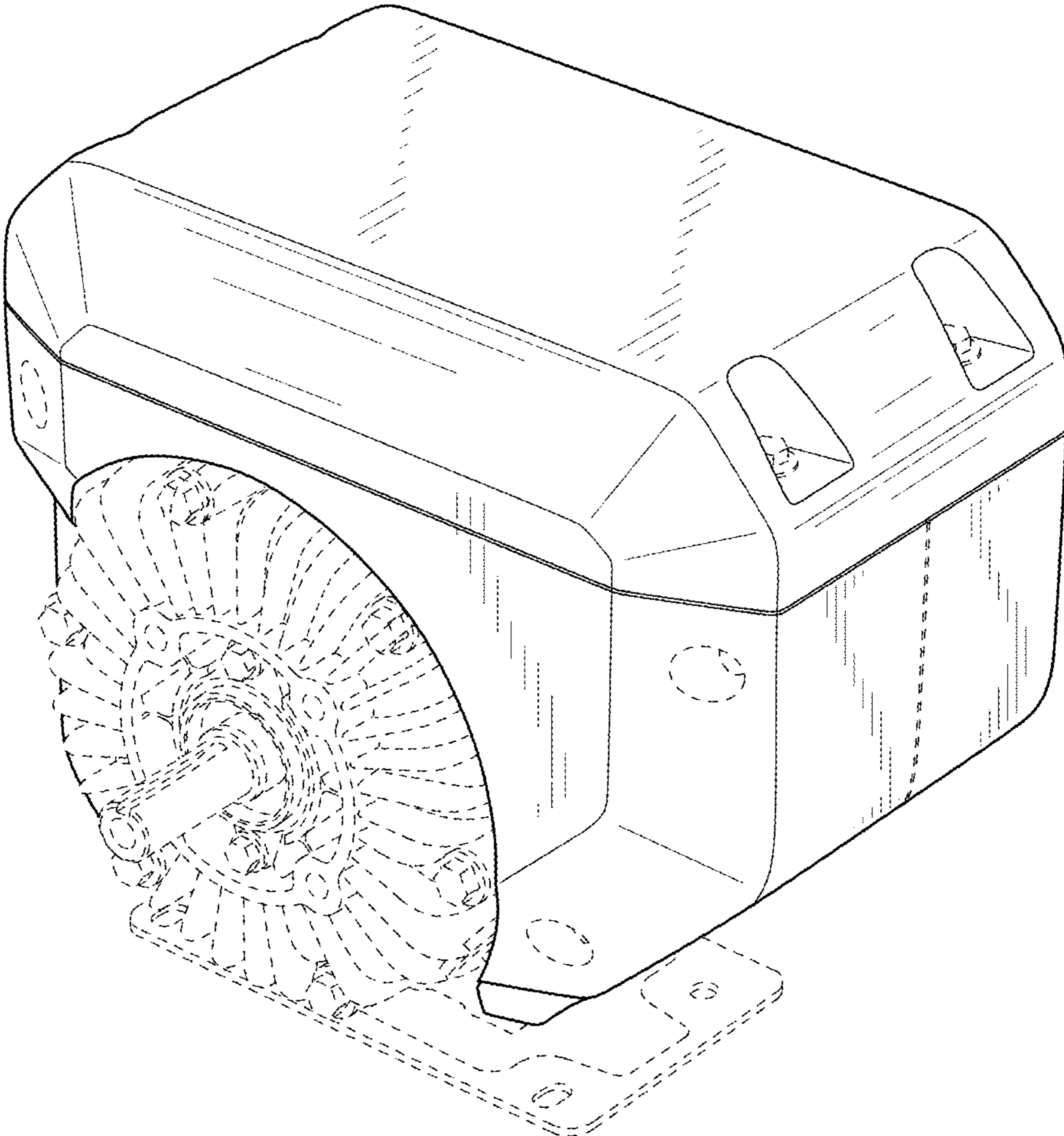


FIG. 5

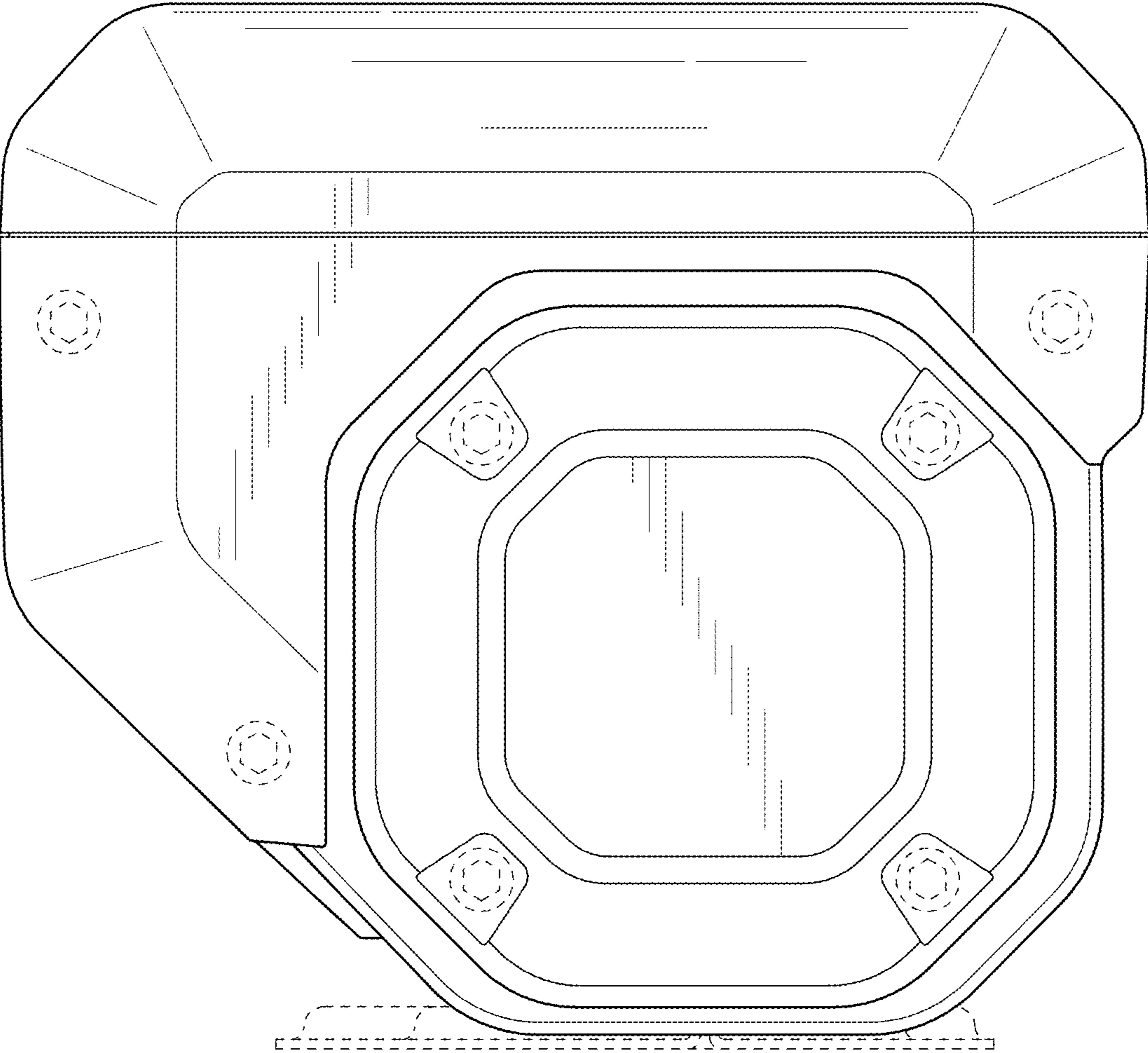


FIG. 6

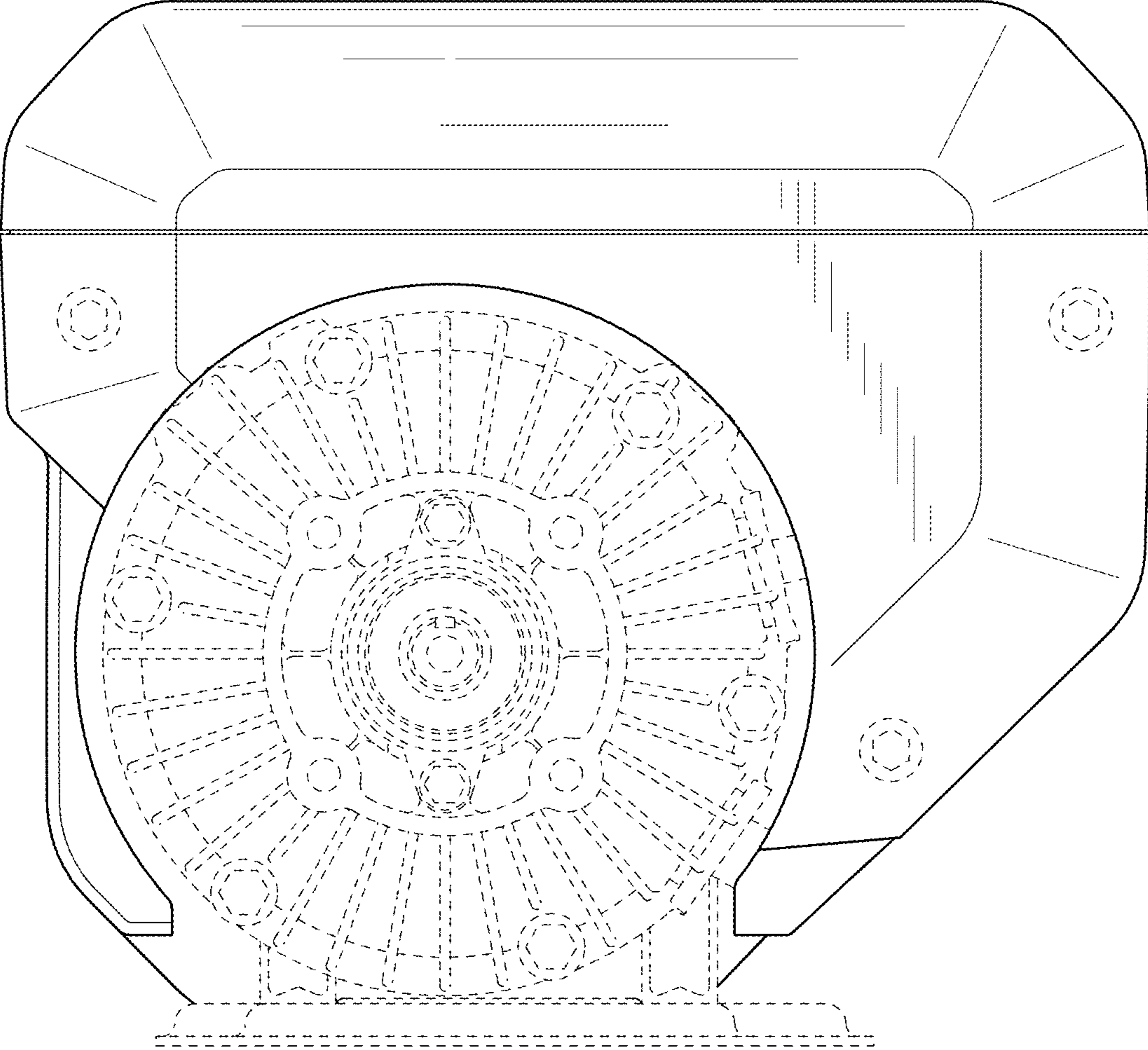


FIG. 7

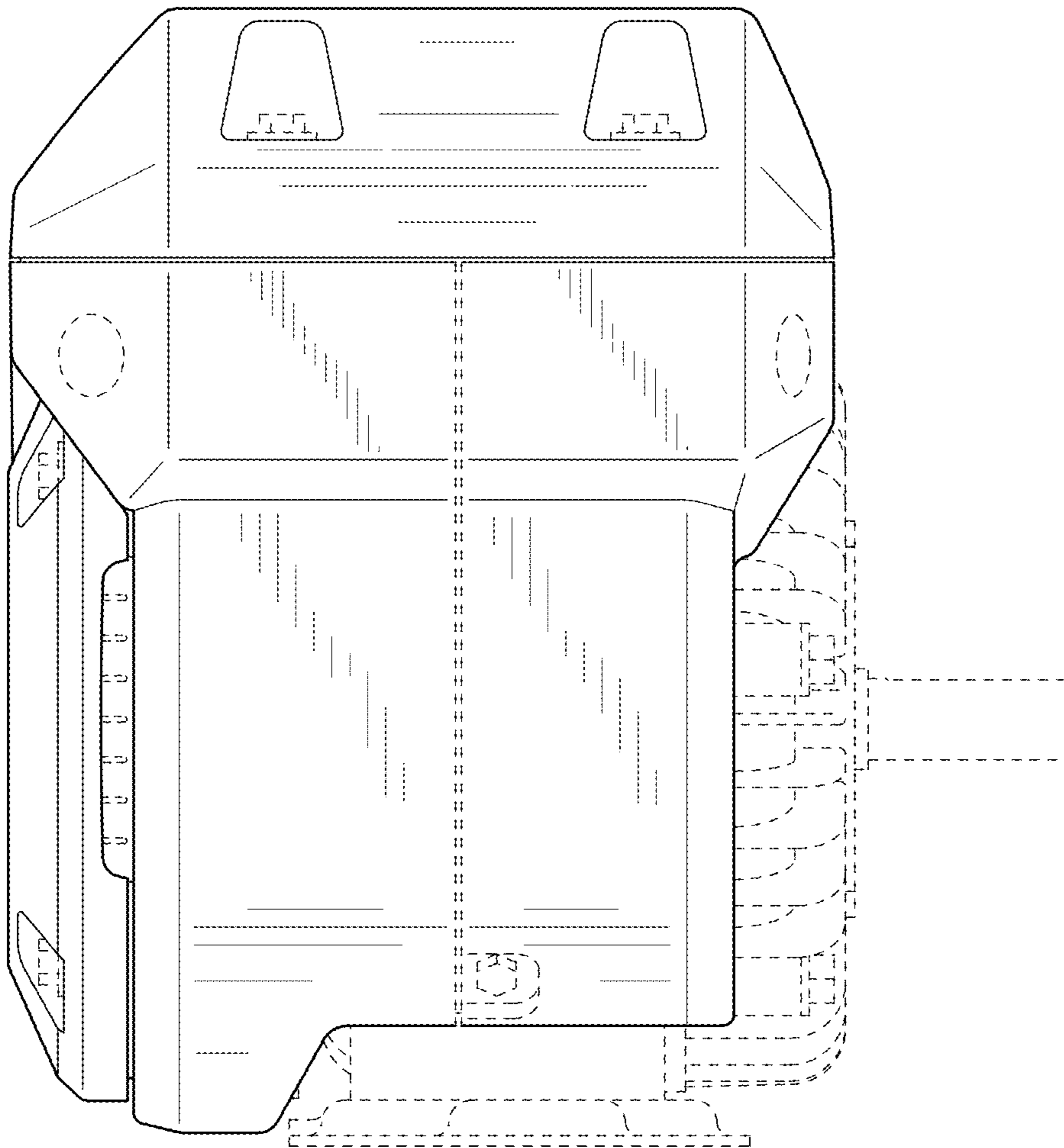


FIG. 8

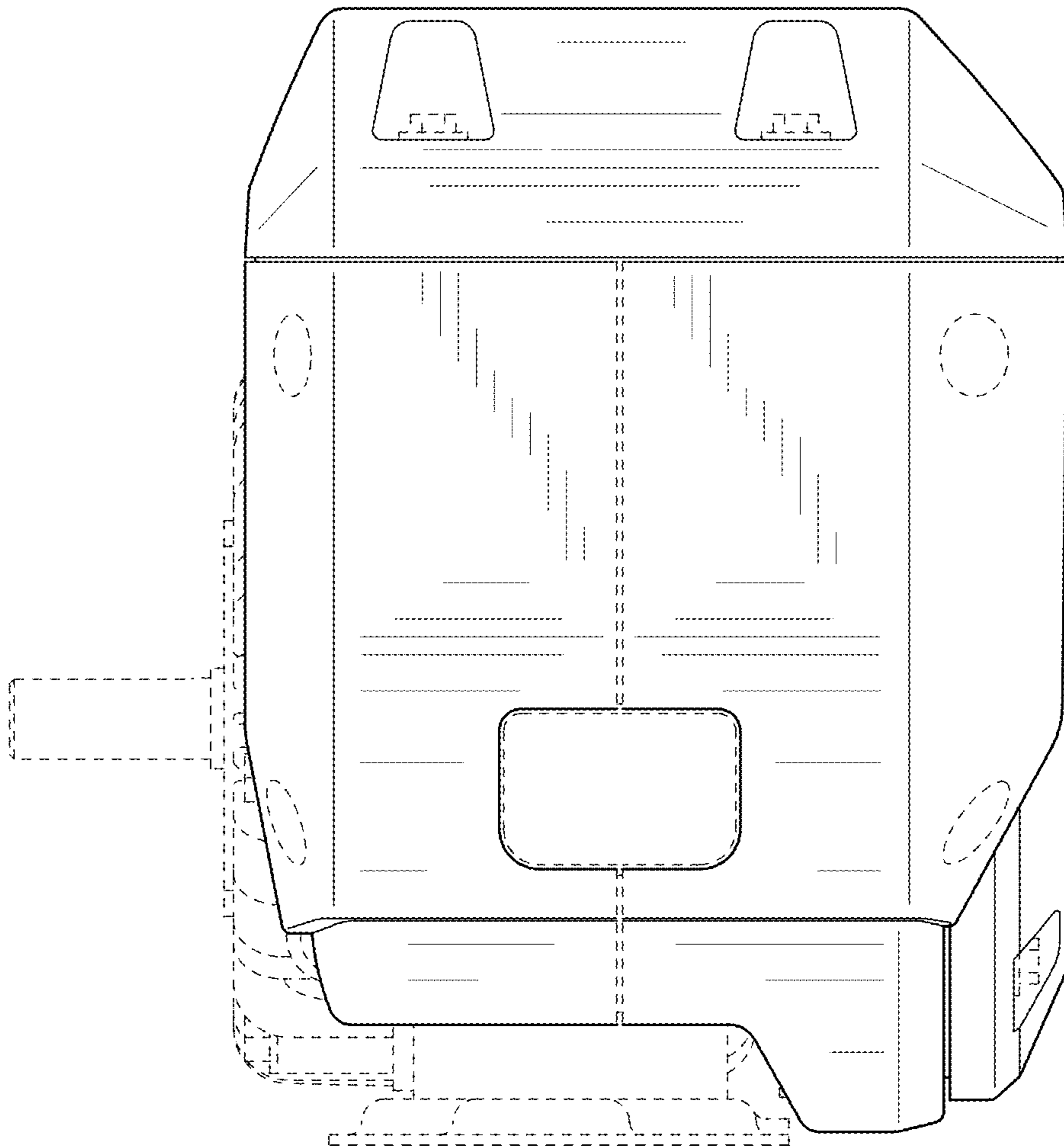


FIG. 9

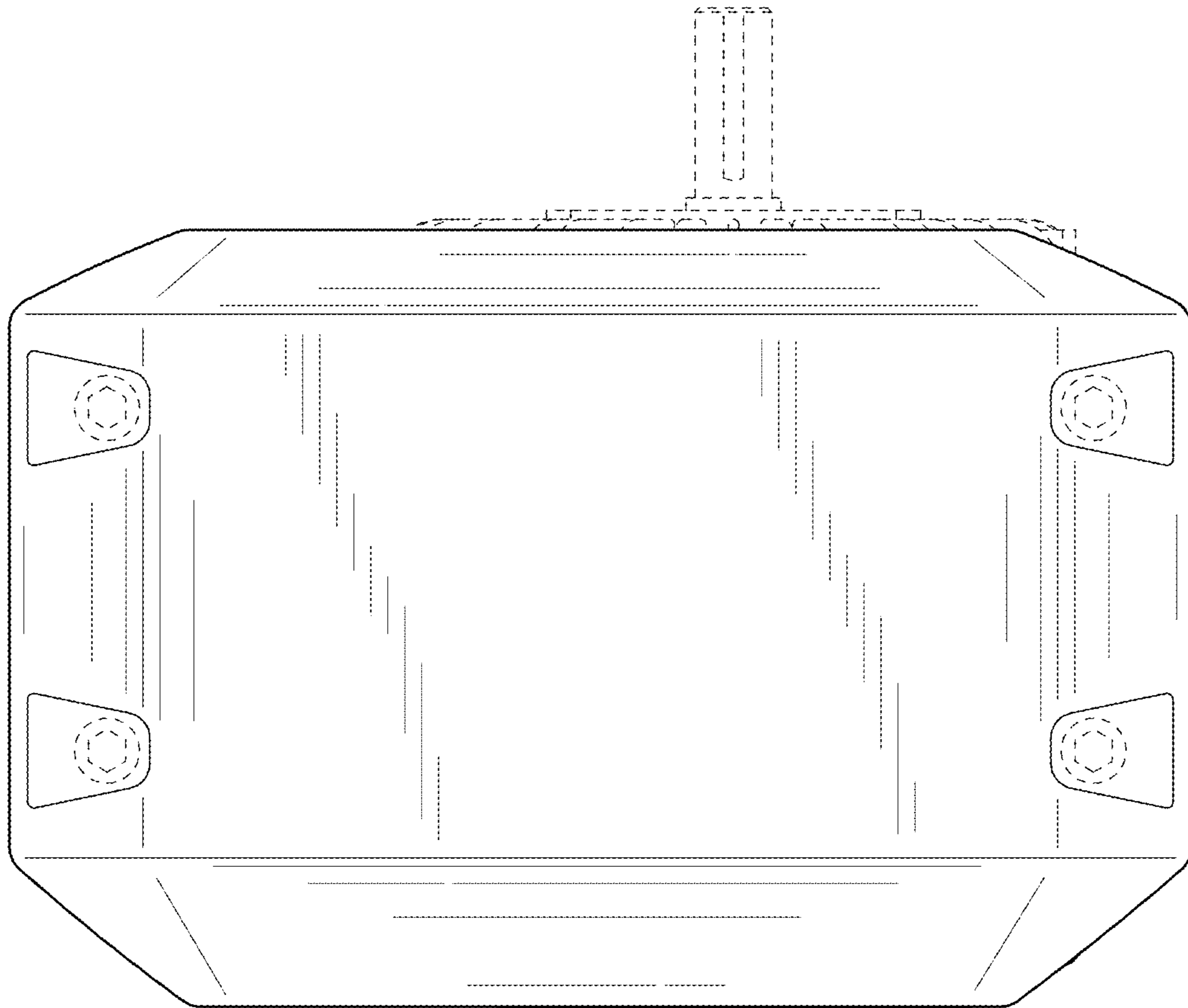


FIG. 10

